

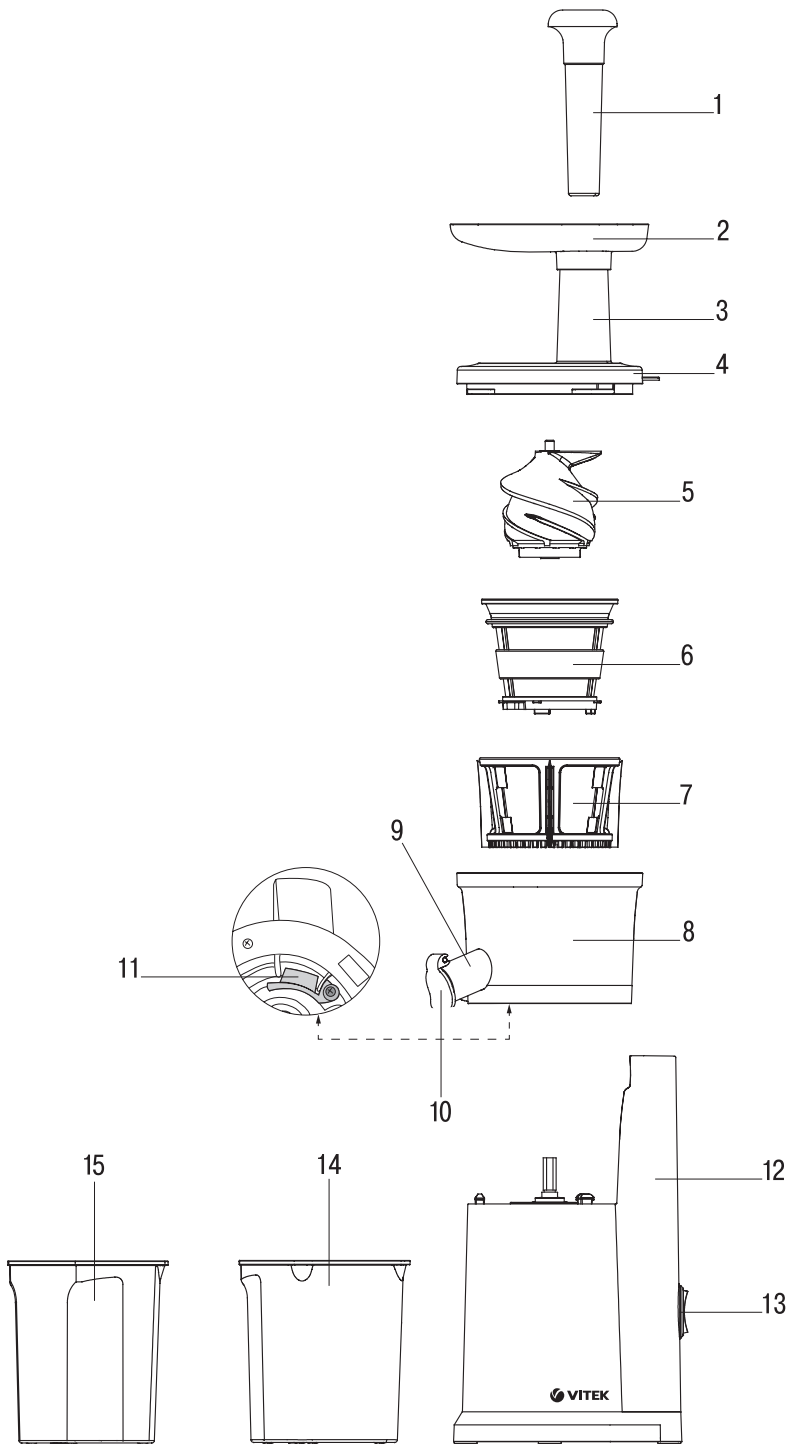
**VT-3661 W**

Slow juicer

Шнековая  
соковыжималка

# Инструкция по эксплуатации

<b>GB</b> Manual instruction	<b>3</b>
<b>RUS</b> Инструкция по эксплуатации	<b>7</b>
<b>KZ</b> Пайдалану нұсқасы	<b>12</b>
<b>UA</b> Інструкція з експлуатації	<b>17</b>
<b>KG</b> Пайдалануу боюнча нускама	<b>22</b>
<b>RO</b> Instrucțiune de exploatare	<b>27</b>



**SLOW JUICER VT-3661 W****WHAT IS A SLOW JUICER?**

This kind of juice extractors is provided with a low screw rotation speed juicing technology – up to 100 r/min, with power consumption of about 200 W. Such juice extractors are called «slow juicers», but don't be misled by this name, the slow juicer extracts juice faster and with higher juice extraction rate than regular juice extractors. The spiral screw chops the product, then pushes the chopped pulp through the filter, extracting juice; thanks to this technology the extracted juice retains more phytonutrients\* contained in pigmented fruits and vegetables. Low screw rotation speed (up to 100 r/min) and low product temperature while chopping preserve inner cellular structure, ferments, microelements and vitamins in the extracted juice.

**DESCRIPTION**

1. Pusher
2. Food tray
3. Feeding chute
4. Lid
5. Screw
6. Mesh filter
7. Separator
8. Processing bowl
9. Juice draining spout
10. Juice draining spout lid
11. Silicone gasket
12. Motor unit
13. Operation mode switch «ON-0-R»
14. Juice cup
15. Pulp container

**SAFETY MEASURES**

Before using the slow juicer, read this instruction manual carefully and keep it for future reference. Use the unit for intended purposes only, as specified in this manual. Mishandling of the unit may lead to its breakage and cause harm to the user or damage to his/her property.

- **The maximum allowable continuous operation time of the slow juicer does not exceed 30 minutes with subsequent break of at least 30 minutes.**

\* The term «phytonutrients» comes from the Greek word «phyto» («plant») and «nutrient» («food component that is necessary for normal functioning of body»). Phytonutrients are also known as phytochemicals, i.e. natural biologically active components of vegetable products.

- Before using the unit for the first time, make sure that the voltage in your mains corresponds to unit operating voltage.
- Place the slow juicer on a dry, flat and steady surface only.
- Before using the slow juicer for the first time, wash all removable parts that will contact processed foods thoroughly.
- Check the mesh filter before every use of the slow juicer.
- Use the supplied removable parts only.
- Do not use the unit outdoors.
- Do not place the unit and the power cord near hot surfaces, heat sources or sharp edges of furniture.
- Before using the unit, make sure that all parts are set properly.
- You can use the slow juicer only if the slow juicer lid is installed properly.
- Never push products into the feeding chute with your fingers or other objects during operation. For this purpose use the pusher only.
- The slow juicer is not intended for chopping or mixing products.
- Do not disassemble the slow juicer if its power plug is connected to the mains socket.
- Do not touch the power plug, the power cord and the motor unit with wet hands.
- If some moisture or juice drops appear on the body of the slow juicer, switch the unit off, unplug it and wipe the unit body with a dry cloth.
- After operation switch the unit off and pull the power plug out of the mains socket.
- When unplugging the unit, pull the plug but not cord.
- Do not allow children to use the unit as a toy.
- This unit is not intended for usage by children.
- Do not allow children to touch the unit and the power cord during operation.
- During operation and breaks between operation cycles, the unit should be placed out of reach of children.
- The unit is not intended for usage by physically or mentally disabled persons (including children) or by persons lacking experience or knowledge if they are not under supervision of a person who is responsible for their safety or if they are not instructed by this person on the usage of the unit.
- For children safety reasons do not leave polyethylene bags used as packaging unattended.

# ENGLISH

**Attention!** Do not allow children to play with polyethylene bags or packaging film. **Danger of suffocation!**

- Check the power cord and plug periodically.
- Never use the slow juicer if the mesh filter, the power cord or the power plug is damaged, if the unit works improperly or after it was dropped.
- Do not attempt to repair the unit. Do not disassemble the unit by yourself, if any malfunction is detected or after it was dropped, unplug the unit and apply to any authorized service center from the contact address list given in the warranty certificate and on the website [www.vitek.ru](http://www.vitek.ru).
- Transport the unit in the original package only.
- Keep the unit out of reach of children and disabled persons.

*THE UNIT IS INTENDED FOR HOUSEHOLD USE ONLY, ITS COMMERCIAL USAGE AND USAGE IN PRODUCTION AREAS AND WORK SPACES IS PROHIBITED.*

## BEFORE THE FIRST USE

**After unit transportation or storage at low temperature keep it for at least 3 hours at room temperature before switching on.**

- Unpack the slow juicer.

## Disassemble and clean the slow juicer before usage:

- Remove the pusher (1) from the lid (4) feeding chute (3).
- Remove the tray (2) from the chute (3).
- Turn the lid (4) counterclockwise until bumping and remove the lid (4).
- Remove the processing bowl (8) from the motor unit (12).
- Remove the screw (5) from the processing bowl (8).
- Remove the mesh filter (6) with the separator (7) from the bowl (8), remove the separator (7) from the filter (6).
- Wash the removable parts that will contact products thoroughly with warm water and a neutral detergent and dry them.
- Clean the motor unit (12) with a slightly damp cloth and then wipe it dry.
- Use the slow juicer on a dry, flat and stable surface, away from heat sources, moisture, open flame and direct sunlight.

## ASSEMBLING THE SLOW JUICER

**Important!** Make sure that the silicone gasket (11) is set properly in the bottom part of the processing bowl (8). The silicone gasket must seal the pulp channel tightly, otherwise leakage of juice from the bowl (8) may cause damage to the unit. When cleaning the unit, move the silicone gasket (11) aside to open the pulp channel.

If some liquid or juice gets into the motor unit, switch the unit off and apply to the authorized service center.

1. Set the processing bowl (8) on the motor unit (12).
2. Put the separator (7) on the mesh filter (6). Install the filter (6) with the separator (7) in the bowl (8), to do this turn the filter (6) clockwise/counterclockwise until the pulp outlet channels match.
3. Install the screw (5) inside the bowl (8), applying little effort; turn it slightly to provide secure fitting of the screw (5) on the drive axis.
4. Place the lid (4) on the processing bowl (8) and turn it clockwise until bumping.
5. Install the tray (2) on the feeding chute (3).

## USING THE SLOW JUICER

**Important!** Before switching the unit on, make sure that all parts are installed properly. Do not switch the unit on without the products intended for processing. Fruit, vegetables and berries intended for processing must be fresh.

- Before juice extracting remove inedible parts from vegetables or fruit, such as stems, hard peel or stones, for example, cherry or peach.
- Wash the fruit or vegetables and chop them into pieces easily fitting into the feeding chute (3) openings.
- Place the slow juicer on a flat stable surface.
- Place the containers (14, 15) under the juice (9) and pulp spouts.
- Open the juice draining spout (9) by lifting the lid (10).
- Insert the power plug into the mains socket.
- Switch the slow juicer on by setting the switch (13) to the position «ON».

## Operation mode switch (13) position

«ON» – the juicer is on.

«O» – the juicer is off.

«R» – reverse, the screw (5) reverse rotation mode.

- Feed fruit or vegetables into the feeding chute (3) opening only when the screw (5) is rotating.
- Put the precut vegetables or fruit into the feeding chute (3) gradually and push them slightly with the pusher (1). Do not press on the pusher (1) too hard as it can decrease the amount of extracted juice and even stop the screw (5) rotation. The slower is the fruit and vegetables processing, the higher is the juice extraction rate.
- Do not put your fingers or any other parts of your body or foreign objects into the feeding chute (3) openings.
- During operation check the mesh filter (6) for obstruction periodically and wash the mesh filter (6), if necessary. Before disassembling the slow juicer to remove the mesh filter (6) switch the slow juicer off and unplug it.
- Control the pulp and juice containers (14, 15) filling.
- If the container (14 or 15) is filled up, switch the slow juicer off and unplug it. Pour the juice out and remove the pulp.

**Note:** to avoid the juice dripping on the table cover the juice draining spout (9) by lowering the lid (10).

**Attention!** The maximum continuous operation time of the slow juicer is 30 minutes with a 30 minute subsequent break.

After processing of 1 kg of hard and fibrous fruit and vegetables (citrus plants, pineapples, etc.), disassemble and clean the unit. Non-compliance with the requirement can cause the screw (5) blockage and will complicate the unit cleaning.

- If the screw (5) rotation slows down, switch the juice extractor off by setting the switch (13) to the position "0"; after the screw (5) rotation stops set and hold the switch (13) to the position "R", the screw (5) reverse rotation mode will be switched on. After several seconds release the switch (13). Unplug the unit, remove the lid (4) and remove the obstruction that hinders the screw (5) rotation.

### Self-clean function

If you need to clean the unit before extracting juice from another type of vegetables or fruit, use the self-clean function.

- Switch the slow juicer on and pour a glass of water into the feeding chute (3), this will remove most of the pulp from previous juice extracting.

- Clean and wash the pulp (15) and the juice (14) containers.
- Clean the slow juicer completely after every usage (see the chapter «CLEANING AND CARE”).

### TIPS

- Use only fresh fruits and vegetables, as they contain more juice.
- For juice extracting you can use various vegetables, such as carrots, cucumbers, beets, celery stems, spinach, tomatoes or fruits: apples, grapes, pineapples.
- It is recommended to wash berries right before juice extracting, as they lose freshness quickly.
- It is not necessary to remove thin peel from fruits or vegetables, remove thick peel only, for example, from pineapples, beet, bananas and citrus plants.
- When extracting apple juice remember that its richness depends on the apple sort.
- Choose the apple sort from which you can make juice to your taste.
- Remove big stones from the fruit, as they can damage the unit.
- For better taste and diet purposes you can extract juice from lettuce, spinach, fresh herbs and soy (it is necessary to preliminary steep soy beans in water for 10 hours before extracting juice).
- The juicer construction enables to keep maximum amount of nutrients in the extracted juice, that's why the juice is cloudy as it contains pulp.
- Drink juice right after you made it. Juice loses its taste and nutrition value during long storage in open air.
- We recommend to wash down freshly-made vegetable juice with some water because its concentration is very high.
- Apple juice gets dark quickly, but adding a few drops of lemon juice slows down the process of juice darkening.
- If you keep juice in the refrigerator, pour it into a clean bowl with a lid to prevent it from absorbing the smell of other foods stored in the refrigerator. It is not recommended to keep juice in a metal container, as the juice can acquire corresponding flavor.

**Attention!** The slow juicer is not intended for processing extra hard and fibrous products, such as coconuts or quince.

# ENGLISH

## CLEANING AND CARE

**After the end of operation or before cleaning always switch the unit off and unplug it.**

**Disassemble and clean slow juicer after every usage:**

- remove the pusher (1) from the feeding chute (3);
- remove the food tray (2);
- remove the lid (4) from the bowl (8) by turning the lid (4) counterclockwise until bumping;
- remove the bowl (8) from the motor unit (12);
- remove the screw (5) from the bowl (8);
- remove the mesh filter (6) with the separator (7) from the bowl (8), remove the separator (7) from the filter (6).
- it is more convenient to wash the mesh filter (6) slots from the outside by using a small brush;
- to clean the pulp outlet channel, move the silicone gasket (1) aside;
- do not wash the screw (5) and other removable parts in the dishwasher.
- It is recommended to wash all the removable parts (1, 2, 3, 4, 5, 6, 7, 8, 14, 15) with warm water and neutral detergent right after you finish using the juice extractor.
- Clean the motor unit (12) with a slightly damp cloth and then wipe it dry. Do not immerse the motor unit (12) in water or any other liquids; do not wash it under water jet.
- Do not use coarse sponges, abrasives and solvents to clean the slow juicer.
- Some products, such as carrots or beets, can dye removable parts of the slow juicer, you can use dry cloth dampened in vegetable oil for removing stains; after cleaning of parts wash them with warm water and a neutral detergent, then dry.

## STORAGE

- Before putting the unit away for storage, make sure it is unplugged.

- Comply with the requirements of «CLEANING AND CARE» section.
- Keep the unit in a dry cool place out of reach of children and disabled persons.

## DELIVERY SET

Juice extractor assembled – 1 pc.

Juice cup – 1 pc.

Pulp container – 1 pc.

## TECHNICAL SPECIFICATIONS

Nominal voltage: 220-240 V ~ 50 Hz

Rated current 0,6 A

Maximal power: 200 W

## RECYCLING



For environment protection do not throw out the unit and the batteries with usual household waste after its service life expiration; apply to the specialized center for further recycling.

The waste generated during the disposal of the unit is subject to mandatory collection and consequent disposal in the prescribed manner.

For further information about recycling of this product apply to a local municipal administration, a disposal service or to the shop where you purchased this product.

*The manufacturer reserves the right to change design and specifications of the unit without preliminary notification*

**Unit operating life is 3 years**

## Guarantee

Details regarding guarantee conditions can be obtained from the dealer from whom the appliance was purchased. The bill of sale or receipt must be produced when making any claim under the terms of this guarantee.



*This product conforms to the EMC Directive 2014/30/EU and to the Low Voltage Directive 2014/35/EU.*

## ШНЕКОВАЯ СОКОВЫЖИМАЛКА VT-3661 W

### ЧТО ТАКОЕ ШНЕКОВАЯ СОКОВЫЖИМАЛКА?

В шнековых соковыжималках используется технология отжима сока на малой скорости вращения шнека – до 100 оборотов в минуту, при этом потребляемая мощность составляет около 200 Вт. Такие соковыжималки называют «медленными соковыжималками», но не обманывайтесь этим названием, шнековая соковыжималка отжимает сок быстрее и с большим процентом выхода сока, чем обычные соковыжималки. Спиралевидный шнек измельчает продукт, а затем продавливает измельчённую мякоть через фильтр, извлекая из неё сок, такая технология позволяет сохранить в отжатом соке гораздо больше фитонутриентов\*, содержащихся в цветных фруктах и овощах. Именно малая скорость вращения шнека (до 100 об/мин) и низкая температура продуктов в процессе измельчения гарантируют сохранность внутренней клеточной структуры, ферментов, микроэлементов и витаминов в полученном соке.

### ОПИСАНИЕ

1. Толкатель
2. Лоток для продуктов
3. Загрузочная горловина
4. Крышка
5. Шнек
6. Сетчатый фильтр
7. Сепаратор
8. Рабочая чаша
9. Носик для слива сока
10. Крышка носика для слива сока
11. Силиконовый уплотнитель
12. Моторный блок
13. Переключатель режимов работы «ON-O-R»
14. Ёмкость для сока
15. Ёмкость для отжимок

### МЕРЫ БЕЗОПАСНОСТИ

Перед началом эксплуатации соковыжималки внимательно прочитайте настоящую инструкцию по эксплуатации и сохраните её

\* Термин «фитонутриенты» произошёл от греческого слова «фито» («растение») и «нутриент» («компонент питания, необходимый для нормального функционирования организма»). Фитонутриенты также известны как фитохимикаты, т.е. натуральные биологически активные составляющие растительных продуктов.

для использования в качестве справочного материала.

Используйте устройство только по его прямому назначению, как изложено в данной инструкции. Неправильное обращение с устройством может привести к его поломке, причинению вреда пользователю или его имуществу.

- **Максимально допустимое время непрерывной работы соковыжималки составляет не более 30 минут с последующим перерывом не менее 30 минут.**
- Перед первым включением убедитесь, что напряжение в электрической сети соответствует рабочему напряжению устройства.
- Используйте соковыжималку только на сухой, ровной и устойчивой поверхности.
- Перед первым использованием соковыжималки тщательно промойте все съёмные детали, которые будут контактировать с перерабатываемыми продуктами.
- Проверьте состояние сетчатого фильтра перед каждым использованием соковыжималки.
- Используйте только те съёмные детали, которые входят в комплект поставки.
- Запрещается использовать устройство вне помещений.
- Не размещайте устройство и сетевой шнур вблизи горячих поверхностей, источников тепла и острых кромок мебели.
- Прежде чем начать пользоваться устройством, убедитесь, что все детали установлены правильно.
- Пользоваться соковыжималкой можно только в том случае, если крышка соковыжималки правильно установлена.
- Во время работы запрещается проталкивать продукты в загрузочную горловину пальцами или другими предметами. Для этой цели пользуйтесь только толкателем.
- Соковыжималка не предназначена для измельчения или смешивания продуктов.
- Запрещается разбирать соковыжималку, если вилка сетевого шнура вставлена в электрическую розетку.
- Не прикасайтесь к сетевому шнуру, вилке сетевого шнура и к моторному блоку мокрыми руками.
- При появлении капель влаги или сока на корпусе соковыжималки выключите устройство, отключите от электросети и протрите корпус сухой тканью.

# РУССКИЙ

- После окончания работы выключите устройство и извлеките вилку сетевого шнура из электрической розетки.
- Вынимая вилку сетевого шнура из электрической розетки, не тяните за шнур, а держитесь за вилку.
- Не разрешайте детям использовать устройство в качестве игрушки.
- Данное устройство не предназначено для использования детьми.
- Не разрешайте детям прикасаться к устройству и к сетевому шнуру во время работы.
- Во время работы и в перерывах между рабочими циклами устанавливайте устройство в местах, недоступных для детей.
- Данное устройство не предназначено для использования лицами (включая детей) с пониженными физическими, психическими или умственными способностями или при отсутствии у них опыта или знаний, если они не находятся под контролем или не проинструктированы об использовании прибора лицом, ответственным за их безопасность.
- Из соображений безопасности детей не оставляйте полиэтиленовые пакеты, используемые в качестве упаковки, без надзора.

**Внимание!** Не разрешайте детям играть с полиэтиленовыми пакетами или упаковочной плёнкой. **Опасность удушья!**

- Периодически проверяйте состояние сетевого шнура и вилки сетевого шнура.
- Не используйте соковыжималку, если имеются повреждения сетчатого фильтра, сетевого шнура или вилки сетевого шнура, если устройство работает с перебоями, а также после падения устройства.
- Запрещается самостоятельно ремонтировать прибор. Не разбирайте прибор самостоятельно, при возникновении любых неисправностей, а также после падения устройства выключите прибор из электрической розетки и обратитесь в любой авторизованный (уполномоченный) сервисный центр по контактным адресам, указанным в гарантийном талоне и на сайте [www.vitek.ru](http://www.vitek.ru).
- Перевозите устройство только в заводской упаковке.
- Храните устройство в местах, недоступных для детей и людей с ограниченными возможностями.

**УСТРОЙСТВО ПРЕДНАЗНАЧЕНО ТОЛЬКО ДЛЯ БЫТОВОГО ИСПОЛЬЗОВАНИЯ В ЖИЛЫХ ПОМЕЩЕНИЯХ, ЗАПРЕЩАЕТСЯ КОММЕРЧЕСКОЕ ИСПОЛЬЗОВАНИЕ И ИСПОЛЬЗОВАНИЕ УСТРОЙСТВА В ПРОИЗВОДСТВЕННЫХ ЗОНАХ И РАБОЧИХ ПОМЕЩЕНИЯХ.**

## **ПЕРЕД ПЕРВЫМ ИСПОЛЬЗОВАНИЕМ**

**После транспортировки или хранения устройства при пониженной температуре необходимо выдержать его при комнатной температуре не менее 3 часов.**

- Извлеките соковыжималку из упаковки.

## **Производите разборку и чистку соковыжималки перед ее использованием**

- Извлеките толкатель (1) из загрузочной горловины (3) крышки (4).
- Снимите с горловины (3) лоток (2).
- Поверните крышку (4) против часовой стрелки до упора и снимите крышку (4).
- Снимите с моторного блока (12) рабочую чашу (8).
- Выньте из рабочей чаши (8) шнек (5).
- Выньте из чаши (8) сетчатый фильтр (6) с сепаратором (7), снимите сепаратор (7) с фильтра (6).
- Тщательно промойте все съёмные детали, которые будут контактировать с продуктами, тёплой водой с нейтральным моющим средством и просушите их.
- Моторный блок (12) протрите слегка влажной тканью, после чего вытрите насухо.
- Используйте соковыжималку на устойчивой, ровной и сухой поверхности, вдали от источников тепла, влаги, открытого пламени и прямых солнечных лучей.

## **СБОРКА СОКОВЫЖИМАЛКИ**

**Важно! Проверьте правильность установки силиконового уплотнителя (11) в нижней части рабочей чаши (8). Силиконовый уплотнитель должен плотно закрывать канал выхода отжимок, иначе вытекание сока из чаши (8) может стать причиной повреждения устройства. Во время чистки устройства силиконовый уплотнитель (11) необходимо сдвинуть в сторону, чтобы открыть канал выхода отжимок.**

**В случае если в моторный блок попала жидкость или сок – выключите устройство**



**и обратитесь в авторизованный (уполномоченный) сервисный центр.**

1. Установите рабочую чашу (8) на моторный блок (12).
2. На сетчатый фильтр (6) оденьте сепаратор (7). Установите фильтр (6) с сепаратором (7) в чашу (8), для этого вращайте фильтр (6) по/против часовой стрелки до совмещения каналов выхода отжимок.
3. Установите шнек (5) внутрь чаши (8) с небольшим усилием, в случае необходимости слегка поверните его, чтобы обеспечить полную посадку шнека (5) на приводную ось.
4. Установите крышку (4) на рабочую чашу (8) и поверните её по часовой стрелке до упора.
5. Установите лоток (2) на загрузочную горловину (3).

## ИСПОЛЬЗОВАНИЕ СОКОВЫЖИМАЛКИ

**Важно! Перед началом работы убедитесь, что все детали установлены правильно. Не включайте устройство без продуктов, предназначенных для переработки. Фрукты, овощи или ягоды, предназначенные для переработки, должны быть свежими.**

- Перед отжимом сока удалите несъедобные части у овощей или фруктов, такие как плодоножки, твёрдая кожура или косточки, например, вишневые или персиковые.
- Вымойте овощи или фрукты и порежьте их на кусочки, которые должны легко проходить в отверстия загрузочной горловины (3).
- Установите соковыжималку на ровной устойчивой поверхности.
- Ёмкости (14, 15) разместите под носиками для слива сока (9) и отжимок.
- Откройте носик для слива сока (9), приподняв крышку (10).
- Вставьте вилку сетевого шнура в электрическую розетку.
- Включите соковыжималку, установив переключатель (13) в положение «ON».

## Положение переключателя режимов работы (13):

«ON» – соковыжималка включена.

«O» – соковыжималка выключена.

«R» – реверс, включение обратного вращения шнека (5).

- Загружайте овощи или фрукты через отверстие загрузочной горловины (3) только во время вращения шнека (5).
- Постепенно опускайте предварительно порезанные овощи или фрукты через загрузочную горловину (3) и слегка надавливайте на них толкателем (1). Не нажимайте слишком сильно на толкатель (1), поскольку это может привести к снижению количества получаемого сока и даже к остановке вращения шнека (5). Чем медленнее происходит обработка овощей или фруктов, тем больше выход сока.
- Запрещается опускать пальцы и любые другие части тела или предметы в отверстия загрузочной горловины (3).
- Во время работы периодически проверяйте состояние сетчатого фильтра (6) на предмет засорения сетки мякотью и при необходимости промывайте сетчатый фильтр (6). Перед разборкой соковыжималки для снятия сетчатого фильтра (6) необходимо выключить соковыжималку и вынуть вилку сетевого шнура из электрической розетки.
- Следите за заполнением ёмкостей для отжимок и сока (14, 15).
- При заполнении емкостей (14 или 15) выключите соковыжималку и извлеките вилку сетевого шнура из электрической розетки. Слейте сок и удалите отжимки.

**Примечание:** чтобы капли сока не капали на стол, закройте носик для слива сока (9), для этого опустите крышку (10).

**Внимание!** Максимальное время непрерывной работы соковыжималки составляет около 30 минут с последующим перерывом 30 минут.

После переработки 1 кг твёрдых и волокнистых продуктов (цитрусовых, ананасов и т.п.) производите разборку и чистку устройства. Несоблюдение данного требования может привести к заклиниванию шнека (5) и усложнит чистку устройства.

- Если вращение шнека (5) замедлилось, в этом случае выключите соковыжималку, установив переключатель (13) в положение «0», после остановки вращения шнека (5), установите и удерживайте переключатель (13) в положении «R», при этом включится функция обратного вращения шнека (5). Через несколько секунд отпустите переключатель (13). Выньте вилку

# РУССКИЙ

сетевого шнура из розетки, снимите крышку (4) и устраните причину, связанную с вращением шнека (5).

## Функция самоочистки

Если необходимо произвести чистку устройства перед отжимом сока из другого вида овощей или фруктов, воспользуйтесь функцией самоочистки.

- Включите соковыжималку и залейте стакан воды в загрузочную горловину (3), при этом большая часть мякоти от предыдущего отжима будет удалена.
- Очистите и промойте ёмкости для отжимок (15) и для сока (14).
- Всякий раз после использования соковыжималки производите полноценную чистку (см. раздел «ЧИСТКА И УХОД»).

## ПОЛЕЗНЫЕ СОВЕТЫ

- Используйте только свежие овощи и фрукты, так как в них содержится больше сока.
- Для приготовления сока можно использовать различные овощи, такие как морковь, огурцы, свёклу, стебли сельдерея, шпинат, помидоры, или используйте фрукты: яблоки, виноград, ананасы.
- Ягоды рекомендуется мыть непосредственно перед отжимом сока, т.к. они быстро теряют свежесть.
- Снимать тонкую кожицу с фруктов или овощей нет необходимости, достаточно лишь срезать толстую кожуру, например, у ананасов, свёклы, бананов и цитрусовых.
- При приготовлении яблочного сока помните, что его насыщенность зависит от сорта яблок.
- Выбирайте сорт яблок, из которых получается сок, отвечающий вашим требованиям.
- Удалите крупные косточки из фруктов, так как они могут повредить устройство.
- Для улучшения вкусовых качеств и в диетических целях можно приготовить сок из салата, шпината, свежих трав и сои (соевые бобы необходимо предварительно замочить в воде на 10 часов).
- Конструкция соковыжималки позволяет сохранять в готовом соке максимальное количество питательных веществ, поэтому

сок получается неосветленным, так как в нём присутствует мякоть.

- Пейте сок сразу после его приготовления. При длительном хранении на воздухе сок теряет свои вкусовые качества и пищевую ценность.
- Свежеотжатый овощной сок рекомендуется запивать небольшим количеством воды, так как концентрация сока очень высока.
- Яблочный сок быстро темнеет, добавьте в яблочный сок несколько капель лимонного сока, и процесс потемнения сока замедлится.
- Если сок будет храниться в холодильнике, то перелейте его в чистую ёмкость с крышкой, чтобы он не впитал запахи продуктов, хранящихся в холодильнике. Нежелательно хранить сок в металлической ёмкости, так как сок может приобрести соответствующий привкус.

**Внимание!** Соковыжималка не предназначена для переработки очень твёрдых и волокнистых продуктов, таких как кокос или айва.

## ЧИСТКА И УХОД

**После окончания работы или перед чистой обязательно выключайте устройство и отключайте его от электросети. Производите разборку и чистку соковыжималки после каждого её использования:**

- извлеките толкатель (1) из загрузочной горловины (3);
- снимите лоток для продуктов (2);
- с чаши (8) снимите крышку (4), повернув крышку (4) против часовой стрелки до упора;
- снимите чашу (8) с моторного блока (12);
- из чаши (8) выньте шнек (5);
- выньте из чаши (8) сетчатый фильтр (6) с сепаратором (7), снимите сепаратор (7) с фильтра (6).
- отверстия сетчатого фильтра (6) удобнее промывать с наружной стороны, используя небольшую щёточку;
- для чистки канала выхода отжимок сдвиньте силиконовый уплотнитель (11) в сторону;
- не используйте для промывки шнека (5) и других съёмных деталей посудомоечную машину.

- Рекомендуется промывать все съёмные детали (1, 2, 3, 4, 5, 6, 7, 8, 14, 15) тёплой водой с нейтральным моющим средством сразу же после окончания использования соковыжималки.
- Моторный блок (12) протирайте слегка влажной тканью, после чего протрите его насухо. Запрещается погружать моторный блок (12) в воду или в любые другие жидкости и промывать его под струёй воды.
- Для чистки соковыжималки не используйте жёсткие губки, абразивные чистящие средства или растворители.
- Некоторые продукты, такие как морковь или свекла, могут окрасить съёмные детали соковыжималки; для удаления следов красителя можно использовать сухую ткань, смоченную в растительном масле, после очистки деталей промойте их тёплой водой с мягким моющим средством и просушите.

## ХРАНИЕНИЕ

- Прежде чем убрать устройство на хранение, убедитесь, что оно отключено от электросети.
- Выполните требования раздела «ЧИСТКА И УХОД».
- Храните устройство в сухом прохладном месте, недоступном для детей и людей с ограниченными возможностями.

## КОМПЛЕКТ ПОСТАВКИ

Соковыжималка в сборе – 1 шт.  
 Ёмкость для сока – 1шт.  
 Ёмкость для отжимок – 1 шт.

## ТЕХНИЧЕСКИЕ ХАРАКТЕРИСТИКИ

Номинальное напряжение: 220-240 В ~ 50 Гц  
 Номинальная сила тока 0,6 А  
 Максимальная мощность: 200 Вт

## УТИЛИЗАЦИЯ



В целях защиты окружающей среды, после окончания срока службы прибора и элементов питания, не выбрасывайте их вместе с обычными бытовыми отходами, передайте прибор и элементы питания в специализированные пункты для дальнейшей утилизации. Отходы, образующиеся при утилизации изделий, подлежат обязательному сбору с последующей утилизацией в установленном порядке. Для получения дополнительной информации об утилизации данного продукта обратитесь в местный муниципалитет, службу утилизации бытовых отходов или в магазин, где Вы приобрели данный продукт.

*Производитель сохраняет за собой право изменять дизайн и технические характеристики устройства без предварительного уведомления*

**Срок службы устройства – 3 года**



*Данное изделие соответствует всем требуемым европейским и российским стандартам безопасности и гигиены.*

**ИЗГОТОВИТЕЛЬ:** СТАР ПЛЮС ЛИМИТЕД

**МЕСТОНАХОЖДЕНИЕ И ПОЧТОВЫЙ АДРЕС ДЛЯ СВЯЗИ:** ЮНИТ БИ ЭНД СИ, 15Й ЭТАЖ, КЭЙСИ АБЕРДИН ХАУС, №38, ХЭНГ ИП РОУД, ВОНГ ЧУК ХАНГ, ГОНКОНГ, КНР

**ИМПОРТЕР:** ООО «ВИТЕК.РУС»

**МЕСТОНАХОЖДЕНИЕ И ПОЧТОВЫЙ АДРЕС ДЛЯ СВЯЗИ:** 117209, РФ, Г. МОСКВА, СЕВАСТОПОЛЬСКИЙ ПР-КТ, Д. 28, КОРП. 1.

СДЕЛАНО В КНР

# ҚАЗАҚША

## ИІРМЕКТІ ШЫРЫНСЫҚҚЫШ VT-3661 W

### **ИІРМЕКТІ ШЫРЫНСЫҚҚЫШ ДЕГЕН НЕ?**

Иірімекті шырынсыққыштарда шырынды иірімектің төменгі айналу жылдамдығымен – минутына 100 айналым сығу технологиясы пайдаланылады, бұл кезде тұтынатын қуаттылығы 200 Вт шамасын құрайды. Мұндай шырынсыққыштарды «баяу шырынсыққыштар» деп атайды, бірақ мұндай атауға алданып қалмаңыз, иірімекті шырынсыққыш шырынды жылдамрақ сығады және шығаратын шырыны әдеттегі шырынсыққыштарға қарағанда әлде қайда мол. Шиыршық тәрізді иірімек өнімді ұсақтайды, содан кейін ұсақталған жұмсақты сүзгі арқылы өткізіп, одан шырынды сығып алады, мұндай технология түрлі-түсті жемістер мен көкөністер құрамында болатын сығылған шырындағы мол фитонутриенттерді\*\* сақтап қалуға мүмкіндік береді. Дәл осы иірімектің ақырын айналдыру жылдамдығы (100 айн/мин) және өнімдердің төменгі температурасы ұсақтау барысында ферменттердің ішкіжасушалы құрылымыны, алынған шырындағы микроэлементтердің және витаминдердің сақталуына кепілдік береді.

### **ҚҰРЫЛҒЫНЫҢ СИПАТТАМАСЫ**

1. Итеруші
2. Өнімдерге арналған астауша
3. Жүктеуіш қылта
4. Қақпақ
5. Шнек
6. Торлы сүзгі
7. Сепаратор
8. Жұмыс тостағаны
9. Шырынды құюға арналған шүмек
10. Шырынды құюға арналған шүмек қақпағы
11. Силикон тығыздатқышы
12. Мотор блогі
13. Жұмыс тәртіптемелерінің ауыстырып-қосқышы «ON-O-R»
14. Шырынға арналған сыйымдылық
15. Сығындыларға арналған сыйымдылық

### **ҚАУІПСІЗДІК ШАРАЛАРЫ**

Шырынсыққышты пайдалану алдында, осы пайдалану нұсқаулығын мұқият оқып шығыңыз да, оны анықтамалық материал ретінде пайдалану үшін сақтап қойыңыз.

\* «Фитонутриенттер» термині гректің «фито» («есімдік») және «нутриент» («ағзаның қалыпты жұмыс істеуіне қажетті қоректің компоненті») деген сөздерінен шыққан. Фитонутриенттер фитохимикаттар, яғни өсімдік өнімдерінің табиғи биологиялық белсенді құрамдас бөліктері ретінде де белгілі.

Құрылғыны осы нұсқаулықта баяндалғандай тікелей мақсаты бойынша ғана пайдаланыңыз. Құрылғыны дұрыс пайдаланбау оның бұзылуына және пайдаланушыға немесе оның мүлкіне зиян келтіруге әкеп соғуы мүмкін.

- **Шырынсыққыштың максималды үздіксіз жұмыс істеу уақыты 30 минуттан аспауы керек, содан кейін 30 минут үзіліс жасау керек.**
- Алғашқы іске қосу алдында, электр желісіндегі кернеудің құрылғының жұмыс кернеуіне сәйкес келетіндігін тексеріп алыңыз.
- Шырынсыққышты тек құрғақ тегіс және орнықты бетте пайдаланыңыз.
- Шырынсыққышты алғашқы пайдалану алдында өңделетін өнімдерімен жанасатын барлық алынбалы бөлшектерді мұқият жуып алыңыз.
- Шырынсыққышты әрбір пайдалану алдында сүзгі-торды тексеріп алыңыз.
- Тек жеткізу жинағына кіретін алынбалы бөлшектерді ғана пайдаланыңыз.
- Құрылғыны панажайлардан тыс жерде пайдалануға тыйым салынады.
- Құрылғы мен желілік баусымды ыстық беттерге, жылу көздеріне және жиһаздың өткір жиектеріне жақын орналастырмаңыз.
- Құрылғыны пайдалануды бастау алдында, барлық бөлшектер дұрыс орнатылғанын тексеріп алыңыз.
- Шырынсыққыш қақпағы дұрыс орнатылған жағдайда ғана шырынсыққышты пайдалануға болады.
- Жұмыс істеп тұрған кезде өнімдерді жүктеу аузына саусақтарыңызбен немесе басқа заттармен итеруге тыйым салынады. Бұл мақсатта тек итергішті пайдаланыңыз.
- Шырынсыққыш өнімдерді ұсақтауға немесе араластыруға арналмаған.
- Желілік баусым ашасы электр ашалығына қосулы болған кезде шырынсыққышты бөлшектеуге тыйым салынады.
- Желілік баусымды, желілік баусым ашасын және моторлық блокты су қолмен ұстамаңыз.
- Шырынсыққыштың корпусында судың немесе шырынның тамшылары пайда болса, құрылғыны өшіріп, электр желісінен ажыратыңыз және корпусы құрғақ матамен сүртіңіз.
- Жұмыс аяқталғаннан кейін құрылғыны сөндіріңіз де, желілік баусым ашасын электр ашалығынан суырып тастаңыз.

- Желілік баусымның ашасын электрлік ашалықтан суырғанда, желілік баусымнан тартпаңыз, ал желілік баусымның ашасынан ұстаңыз.
- Құрылғыны ойыншық ретінде пайдалануға рұқсат етпеңіз.
- Берілген құрылғы балалардың пайдалануына арналмаған.
- Балаларға құрылғының корпусына және желілік баусымға жұмыс істеген уақытта қол тигізуге рұқсат етпеңіз.
- Жұмыс істеу уақытында және жұмыс циклдері арасында құрылғыны балалардың қолы жетпейтін жерде орналастырыңыз.
- Дене, жүйке немесе сана мүмкіндіктері төмендетілген тұлғалардың (балаларды қоса) немесе оларда тәжірибесі немесе білімі болмаса, егер олар бақыланбаса немесе олардың қауіпсіздігі үшін жауап беретін тұлғамен аспапты пайдалану туралы нұсқаулықтар берілген болмаса, берілген құрылғы олардың пайдалануына арналмаған.
- Балалардың қауіпсіздігі мақсатында орау ретінде пайдаланылатын полиэтилен қаптарды қараусыз қалдырмаңыз.

**Назар аударыңыз!** Балаларға полиэтилен қаптармен немесе орайтын үлдірмен ойнауға рұқсат етпеңіз. **Тұншығу қаупі бар!**

- Желілік баусымның және желілік баусым ашасының күйін мезгілімен тексеріп тұрыңыз.
- Сүзгі-тордың, желілік баусымның және желілік ашаның бүлінулері болса, егер құрылғы іркілістермен жұмыс істесе, сонымен қатар құрылғы құлағаннан кейін шырынсыққышты пайдаланбаңыз.
- Аспапты өз бетімен жөндеуге тыйым салынады. Аспапты өз бетіңізбен бөлшектемеңіз, кез-келген ақаулықтар пайда болғанда, сонымен қатар құрылғы құлағаннан кейін аспапты ашалықтан суырыңыз және кепілдік талоны мен [www.vitek.ru](http://www.vitek.ru) сайтында көрсетілген байланысу мекен-жайлары бойынша кез-келген туындыгерлес (өкілетті) қызмет көрсету орталығына хабарласыңыз.
- Құрылғыны зауыттық орауда ғана тасымалдаңыз.
- Құрылғыны балалардың және мүмкіндіктері шектеулі адамдардың қолы жетпейтін жерде сақтаңыз.

**ҚҰРЫЛҒЫ ТҰРҒЫН ПАНАЖАЙЛАРДА ТҰРМЫСТЫҚ ПАЙДАЛАНУ ҮШІН АРНАЛҒАН, ҚҰРЫЛҒЫНЫ КОММЕРЦИЯЛЫҚ ПАЙДАЛАНУ ЖӘНЕ ӨНДІРІСТІК АЙМАҚТАР МЕН ЖҰМЫС ПАНАЖАЙЛАРЫНДА ПАЙДАЛАНУҒА ТЫЙЫМ САЛЫНАДЫ.**

## АЛҒАШҚЫ ПАЙДАЛАНУ АЛДЫНДА

**Құрылғыны төмен температура жағдайында тасымалдаған немесе сақтаған кезде оны бөлме температурасында үш сағаттан кем уақыт бойы ұстау керек.**

- Шырынсыққышты ораудан шығарыңыз.

## Шырынсыққышты пайдалану алдында оны бөлшектенізі және тазалаңыз:

- Итергішті (1) қақпақтың (4) жүктеуаузынан (3) шығарыңыз.
- Қылтадан (3) астаушаны (2) шешіп алыңыз.
- Қақпақты (4) сағат тіліне қарсы тірелгенге дейін бұраңыз және қақпақты (4) шешіңіз.
- Моторлық блоктан (12) жұмыс тостағанын (8) шешіңіз.
- Жұмыс тостағаны (8) мен иіркелікті (5) шығарыңыз.
- Тостағаннан (8) торлы сүзгі (6) мен сепараторды (7) алып шығыңыз, сепараторды (7) сүзгіден (6) шешіп алыңыз.
- Өңделетін өнімдерімен жанасатын барлық алынбалы бөлшектерді бейтарап жуғыш заты жылы сумен мұқият жуып алыңыз және оларды құрғатып.
- Моторлық блокты (12) сәл дымқыл матамен сүртіңіз, содан кейін құрғатып сүртіңіз.
- Шырынсыққышты тек құрғақ тегіс және орнықты бетте жылу, ылғал, ашық от және тікелей күн сәулесінен алшақ жерде пайдаланыңыз.

## ШЫРЫНСЫҚҚЫШТЫ ҚҰРАСТЫРУ

**Маңызды! Силикон тығынның (11) жұмыс тостағанының (8) төменгі жағына дұрыс орнатылуын тексеріңіз. Силикон тығын сығындылардың шығатын арнасын мықтап жауып тұруы тиіс, кері жағдайда тостағаннан (8) шырынның/судың төгілуі құрылғының бұзылу себебіне айналуы мүмкін. Құрылғыны тазалау кезінде сығындылардың шығатын арнасын ашу үшін силикон тығынды (11) шетке ығыстыру керек.**

**Егер моторлық блокқа сұйықтық немесе шырын тиген жағдайда – құрылғыны**

# ҚАЗАҚША

**сөндіріңіз және туындыгерлес (өкілетті) қызмет көрсету орталығына хабарласыңыз.**

1. Жұмыс тостағанын (8) моторлық блокқа (12) орнатыңыз.
2. Торлы сүзгіге (6) сепараторды (7) кигізіңіз. Сүзгіні (6) сепаратормен (7) бірге тостағанға (8) орнатыңыз, ол үшін сүзгіні (6) сағат тілі бойынша/ сағат тіліне қарсы сығылғандардың шығу арнасымен сәйкес келгенге дейін айналдырыңыз.
3. Шнекті (5) тостағанның (8) ішіне біраз күш салып орнатыңыз, қажет болған жағдайда шнекті (5) келтірім білігіне толық орнығуын қамтамасыз ету үшін, оны аздап бұрыңыз.
4. Қақпақты (4) жұмыс тостағанына (8) орнатыңыз және оны сағат тілі бойынша тірелгенге дейін бұраңыз.
5. Астаушаны (2) жүктеуіш қылтаға (3) орнатыңыз.

## ШЫРЫНСЫҚҚЫШТЫ ПАЙДАЛАНУ

**Маңызды! Жұмысқа кірісу алдында, барлық бөлшектерінің дұрыс орнатылғанын тексеріп алыңыз. Өңделетін өнім салынбаған құрылғыны қоспаңыз. Өңдеуге арналған жемістер, көкөністер және жидектер балғын болуы керек.**

- Шырын сығу алдында, жемістер мен жидектердің жеміс сабақтары, қатты қабық немесе сүйектері, мысалы шиенің немесе шабдалының, жеуге келмейтін бөліктерін алып тастаңыз.
- Көкөністерді немесе жемістерді жуып тазалаңыз, оларды жүктеу аузынан (3) өтетіндей етіп тілімдеп тураңыз.
- Шырынсыққышты тегіс тұрақты бетке орналастырыңыз.
- Ыдыстарды (14, 15) шырынды төгу (9) және сығындыларды төгу шүмектерінің астына орналастырыңыз.
- Қақпақты (10) көтеріңкіреп, шырынды төгуге арналған шүмекті (9) ашыңыз.
- Желілік баусымның ашасын электр ашалығына сұғыңыз.
- Ауыстырғышты (13) «ON» күйіне қойып, шырынсыққышты іске қосыңыз.

## Жұмыс режимдерін ауыстырғыштың (13) күйі

«ON» – шырынсыққыш іске қосылған.

«O» – шырынсыққыш істен ажыратылған

«R» – реверс, шнектің (5) кері айналымының іске қосылуы.

- Өнімдерді жүктеу аузына (3) тек иірмек (5) айналып тұрған кезде салыңыз.
- Алдын-ала туралған көкөністерді немесе жемістерді біртіндеп жүктеу аузына (3) салыңыз да оларды итергішпен (1) сәл басыңқыраңыз. Итергішті (1) қатты баспаңыз, өйткені бұл алынатын шырынның мөлшерін азайтып жіберуі мүмкін, тіпті иірмектің (5) айналмай қалуына әкелуі мүмкін. Көкөністер немесе жемістер неғұрлым баяу сығылса, соғұрлым шырын көп шығады.
- Саусақты немесе кез келген басқа да заттарды жүктеу аузына (3) салуға тыйым салынады.
- Жұмыс барысында сүзгі-тордың (6) жұмсақтармен бітеліп қалмауын уақытылы тексеріп отырыңыз және қажет болған кезде сүзгі-торды (6) жуып жіберіңіз. Сүзгіні шешіп алу үшін шырынсыққышты бөлшектеу алдында, шырынсыққышты өшіріп, желілік баусым ашасын электр ашалықтан суыру керек.
- Жұмсақтарға және шырынға арналған ыдыстардың (14, 15) толуын бақылап отырыңыз.
- Ыдыстар (14, 15) толған кезде, шырынсыққышты өшіріп, желілік баусым ашасын электр ашалығынан суырыңыз. Шырынды тегіңіз және сығындыларды алып тастаңыз.

**Ескерту:** шырын тамшылары үстелге тамбауы үшін шырынды төгуге арналған шүмекті (9) жабыңыз, бұл үшін қақпақты (10) түсіріңіз.

**Назар аударыңыз!** Шырынсыққыштың үздіксіз жұмыс істейтін максималды уақыты – 30 минутқа таяу, одан кейін 30 минут үзіліс жасап отыру керек.

1 кг қатты және талшықты өнімді (цитрустарды, ананастарды және т.б.) өңдегеннен кейін құрылғыны бөлшектеңіз және тазалаңыз. Осы талапты орындамау шнектің (5) сыналануына әкелуі мүмкін және құрылғыны тазартуды қиындатады.

- Егер шнек (5) айналымы баяуласа, осы жағдайда ауыстырып-қосқышты (13) күйге «0» қойып, шырын сыққышты өшіріңіз, шнек (5) айналымы тоқтаған соң ауыстырып-қосқышты (13) күйге «R» қойып ұстап тұрыңыз, осы кезде шнектің (5) кері айналымы қызметі іске қосылады. Бірнеше секундтан соң ауыстырып-қосқышты (13) босатыңыз. Желі бауының ашасын

розеткадан ажыратыңыз, қақпағын (4) шешіңіз және шнек (5) айналымына қатысты себепті анықтаңыз.

## Өзін-өзі тазарту функциясы

Басқа өнім түрінен шырын сығу алдында құрылғыны тазалау қажет болса, өзін-өзі тазарту функциясын пайдаланыңыз.

- Аспапты іске қосыңыз және жүктеу аузы (3) арқылы бір стақан су құйыңыз, осы кезде дейінгі сығудан қалған жұмсақтың көп бөлігі жойылады.
- Сығындылар (15) мен шырынға (14) арналған ыдыстарды тазалаңыз және жуыңыз.
- Шырынсыққышты пайдаланып болғаннан кейін оны толық тазалаңыз («ТАЗАЛАУ ЖӘНЕ КҮТІМ ЖАСАУ» бөлімін қараңыз).

## ПАЙДАЛЫ КЕҢЕСТЕР

- Тек балғын көкөністер мен жемістерді пайдаланыңыз, себебі олардың құрамында шырын көп болады.
- Шырын дайындау үшін сәбіз, қияр, қызылша, балдыркөк сабақтары, шпинат, қызанақ сияқты әртүрлі көкөністерді немесе алма, жүзім, ананас сияқты жемістерді пайдалануға болады.
- Жидектерді сықпас бұрын жуып алу керек, себебі олар балғындығын тез жоғалтады.
- Жемістерден немесе көкөністерден жұқа қабығын алып тастаудың қажеті жоқ, тек ананас немесе қызылшаның қалың қабығын аршып тастау керек.
- Алма шырынын дайындаған кезде оның қанықтылығы алманың сұрыпына байланысты болатынын естеп шығармаңыз.
- Өз қалауыңызды қанағаттандыратын шырын алынатын алманың сұрыпын таңдаңыз.
- Жемістердің ішіндегі сүйектерді алып тастаңыз, себебі сүйектері приборды бұзуы мүмкін.
- Дәмнің сапасын жақсарту үшін және диеталық мақсаттарда салаттан, шпинаттан, балғын шөптер мен соядан шырын дайындауға болады (соя бұршақтарын алдын-ала 10 сағатқа суға салып қою қажет).
- Шырынсыққыштың осы конструкциясы нәрлі элементтердің көп мөлшерін сақтап қалады, нәтижесінде шырын мөлдір болмайды.
- Шырынды сығып алғаннан кейін бірден ішіңіз. Ауада ұзақ уақыт бойы сақталған

кезде шырын өзінің дәмдік сапасын және тағамдық құндылығын жоғалтады.

- Көкөніс шырынын кішкене мөлшердегі сумен бірге ішу керек, себебі оның концентрациясы өте жоғары.
- Алма шырыны қараяды, бірақ оған лимон шырынының бірнеше тамшысын тамызып жіберсе, бұл шырынның қараю процесін тоқтатады.
- Шырын тоңазытқышта сақталатын болса, онда оны қақпағы бар таза ыдысқа аударып құйып алыңыз, бұл тоңазытқыштағы сақтаулы тұрған өнімдердің иістерін сіңіріп алмауы үшін қажет. Шырынды метал ыдыста сақтамаған жөн, себебі шырынның дәмі өзгеріп кетуі мүмкін.

**Назар аударыңыз ! Шырынсыққыш кокос немесе айва сияқты өте қатты, талшықтары көп өнімдерді өңдеуге арналмаған.**

## ТАЗАРТУ ЖӘНЕ КҮТІМ

**Жұмысты аяқтаған сайын немесе тазалау алдында құрылғыны өшіріп, оны электр желісінен ажыратыңыз. Шырынсыққыштың әрбір пайдаланып болғаннан кейін бөлшектеп, тазалаңыз:**

- итергішті (1) жүктеу аузынан (3) шығарыңыз;
- өнімдерге (2) арналған астаушаны шешіп алыңыз;
- қақпақты (4) сағат тіліне қарсы бұрап, тостағаннан (8) қақпақты (3) шешіңіз;
- тостағанды (8) моторлық блоктан (12) шешіңіз;
- тостағаннан (8) иірмекті (5) шығарыңыз;
- тостағаннан (8) торлы сүзгіні (6) сепаратормен (7) бірге шығарыңыз, сепараторды (7) сүзгіден (6) шешіп алыңыз.
- сүзгі-тордың (6) саңылауларын сыртқы жағынан шағын қылшақты пайдаланып жуу ыңғайлы болады;
- жұмсағын шығаратын арнаны тазалау үшін силикон тығынды (11) шетке ығыстырыңыз;
- иірмекті (5) және басқа алынбалы бөлшектерді жуу үшін ыдыс жуатын машинаны пайдаланбаңыз.
- Барлық алмалы детальдарды (1, 2, 3, 4, 5, 6, 7, 8, 14, 15) шырынсыққышты пайдаланып болған соң бірден бейтарап жуу құралы қосылған жылы сумен жуып отыру ұсынылады.
- Моторлық блокты (12) сәл ылғал матамен сүртіңіз, одан кейін құрғатып сүртіңіз. Моторлық блокты (12) суға немесе басқа

# ҚАЗАҚША

да кез келген сұйықтыққа матыруға және оны ағын судың астында жууға тыйым салынады.

- Шырынсыққышты тазалау үшін қатты ысқышты, қажайтын тазалағыш заттарды немесе еріткіштерді пайдаланбаңыз.
- Кейбір өнімдер, мысалы, сәбіз немесе қызылша, шырынсыққыштың алынбалы бөлшектерін бояп тастауы мүмкін; бояғыштың іздерін кетіру үшін өсімдік майына малынған құрғақ матаны пайдалануға болады, бөлшектерді тазалағаннан кейін оларды жұмсақ жуғыш заты қосылған жылы сумен жуып жіберіңіз және құрғатыңыз.

## САҚТАУ

- Құрылғыны сақтауға салып қою алдында, оның электржелісінен ажыратылғанын тексеріңіз.
- «ТАЗАЛАУ ЖӘНЕ КҮТІМ ЖАСАУ» бөлімінің талаптарын орындаңыз.
- Құрылғыны құрғақ салқын балалардың және мүмкіндіктері шектеулі адамдардың қолы жетпейтін жерде сақтаңыз.

## ЖЕТКІЗУ ЖИНАҒЫ

Шырынсыққыш – 1 дн.

Шырынға арналған ыдыс – 1 дн.

Сығындыларға арналған ыдыс – 1 дн.

## ТЕХНИКАЛЫҚ СИПАТТАРЫ

Номиналдық кернеуі: 220-240 В ~ 50 Гц

Токтың номиналдық күші 0,6 А

Максималды қуаты: 200 Вт

## ҚАЙТА ӨНДЕУ



Қоршаған ортаны қорғау мақсатында, аспаптың және қоректендіру элементтерінің қызмет ету мерзімі аяқталғаннан кейін, оларды дәстүрлі тұрмыстық қалдықтармен бірге тастамаңыз, аспап пен қоректендіру элементтерін келесі қайта өңдеу үшін арнайы пункттерге өткізіңіз.

Бұйымдарды қайта өңдеу кезінде пайда болатын қалдықтар белгіленген тәртіп бойынша келесі қайта өңделетін міндетті жинауға жатады.

Берілген өнімді қайта өңдеу туралы қосымша ақпаратты алу үшін жергілікті муниципалитетке, тұрмыстық қалдықтарды қайта өңдеу қызметіне немесе берілген өнімді Сіз сатып алған дүкенге хабарласыңыз.

*Өндіруші алдын ала ескертусіз құрылғының дизайны мен техникалық сипаттамаларына өзгерістер енгізу құқығына ие болып қалады.*

**Құрылғының қызмет ету мерзімі – 3 жыл**

## Гарантиялық міндеттілігі

Гарантиялық жағдайдағы қаралып жатқан бөлшектер дилерден тек сатып алынған адамға ғана беріледі. Осы гарантиялық міндеттілігіндегі шағымдалған жағдайда төлеген чек немесе квитанциясын көрсетуі қажет.

**EAC**



## ШНЕКОВА СОКОВИЖИМАЛКА VT-3661 W

### ЩО ТАКЕ ШНЕКОВА СОКОВИЖИМАЛКА?

У шнекових соковижималках використовується технологія вичавлення соку на малій швидкості обертання шнека – до 100 обертів за хвилину, при цьому споживальна потужність складає близько 200 Вт. Такі соковижималки називають «повільними соковижималками», але не обманюйтеся цією назвою, шнекова соковижималка вичавлює сік швидше та з більшим процентом виходу соку, чим звичайні соковижималки. Спіралеподібний шнек подрібнює продукт, а потім продавлює подрібнену м'якоть через фільтр, витягуючи з неї сік, така технологія дозволяє зберегти у вичавленому соку значно більше фітонутрієнтів\*, що містяться у кольорових фруктах та овочах. Саме мала швидкість обертання шнека (до 100 об/хв) та низька температура продуктів у ході подрібнення гарантують збережність внутрішньої клітинної структури, ферментів, мікроелементів та вітамінів в отриманому соку.

### ОПИС

1. Штовхач
2. Лоток для продуктів
3. Завантажувальна горловина
4. Кришка
5. Шнек
6. Сітчастий фільтр
7. Сепаратор
8. Робоча чаша
9. Носик для зливання соку
10. Кришка носика для зливання соку
11. Силіконовий ущільнювач
12. Моторний блок
13. Перемикач режимів роботи «ON-0-R»
14. Посудина для соку
15. Посудина для вичавків

### ЗАХОДИ БЕЗПЕКИ

Перед початком експлуатації соковижималки уважно прочитайте цю інструкцію з експлуатації та збережіть її для використання як довідковий матеріал.

\* Термін «фітонутрієнти» пішов від грецького слова «фіто» («рослина») та «нутрієнт» («компонент живлення, необхідний для нормального функціонування організму»). Фітонутрієнти також відомі як фітохімікати, тобто натуральні біологічно активні складові рослинних продуктів.

Використовуйте пристрій лише за його прямим призначенням, як викладено у цій інструкції. Неправильне поводження з пристроєм може призвести до його поломки, завдання шкоди користувачеві або його майну.

- **Максимально допустимий час безперервної роботи соковижималки складає не більше 30 хвилини з наступною перервою не менше 30 хвилин.**
- Перед першим вмиканням переконайтеся, що напруга в електричній мережі відповідає робочій напрузі пристрою.
- Використовуйте соковижималку тільки на сухій, рівній та стійкій поверхні.
- Перед першим використанням соковижималки ретельно промийте всі знімні деталі, які контактуватимуть з переробляемими продуктами.
- Перевіряйте стан сітчастого фільтра перед кожним використанням соковижималки.
- Використовуйте лише ті знімні деталі, які входять до комплекту постачання.
- Забороняється використовувати пристрій поза приміщеннями.
- Не розташовуйте пристрій та мережний шнур поблизу гарячих поверхонь, джерел тепла та гострих крайок меблів.
- Перш ніж почати користуватися пристроєм переконайтеся, що всі деталі встановлені правильно.
- Користуватися соковижималкою можна лише у тому випадку, якщо кришка соковижималки правильно встановлена.
- Під час роботи забороняється проштовхувати продукти в завантажувальну горловину пальцями або іншими предметами. Для цього користуйтеся лише штовхачем.
- Соковижималка не призначена для подрібнення або змішування продуктів.
- Забороняється розбирати соковижималку, якщо вилка мережного шнура вставлена в електричну розетку.
- Не торкайтеся мережного шнура, вилки мережного шнура та моторного блоку мокрими руками.
- При з'явленні крапель вологи або соку на корпусі соковижималки вимкніть пристрій, від'єднайте з електромережі та протріть корпус сухою тканиною.
- Після закінчення роботи вимкніть пристрій та витягніть вилку мережного шнура з електричної розетки.

# УКРАЇНЬСКА

- Виймаючи вилку мережного шнура з електричної розетки, не тягніть за шнур, а тримайтеся за вилку.
- Не дозволяйте дітям використовувати пристрій як іграшку.
- Цей пристрій не призначений для використання дітьми.
- Не дозволяйте дітям торкатися пристрою та мережного шнура під час роботи.
- Під час роботи та у перервах між робочими циклами установлюйте пристрій у місцях, недоступних для дітей.
- Цей пристрій не призначений для використання особами (включаючи дітей) зі зниженими фізичними, психічними або розумовими здібностями або при відсутності у них досвіду або знань, якщо вони не знаходяться під контролем або не проінструктовані щодо використання пристрою особою, відповідальною за їх безпеку.
- З міркувань безпеки дітей не залишайте поліетиленові пакети, що використовуються як упаковка, без нагляду.

**Увага!** Не дозволяйте дітям грати з поліетиленовими пакетами або пакувальної плівкою.

### **Небезпека задусення!**

- Періодично перевіряйте стан мережного шнура та вилки мережного шнура.
- Не використовуйте соковижималку, якщо є пошкодження сітчастого фільтра, мережного шнура або вилки мережного шнура, якщо пристрій працює з перебоями, а також після падіння пристрою.
- Забороняється самостійно ремонтувати пристрій. Не розбирайте пристрій самостійно, при виникненні будь-яких несправностей, а також після падіння пристрою вимкніть пристрій з електричної розетки та зверніться до будь-якого авторизованого (уповноваженого) сервісного центру за контактними адресами, вказаними у гарантійному талоні та на сайті [www.vitek.ru](http://www.vitek.ru).
- Перевозьте пристрій лише у заводській упаковці.
- Зберігайте пристрій у місцях, недоступних для дітей та людей з обмеженими можливостями.

**ПРИСТРІЙ ПРИЗНАЧЕНИЙ ТІЛЬКИ ДЛЯ ПОБУТОВОГО ВИКОРИСТАННЯ У ЖИТЛОВИХ ПРИМІЩЕННЯХ, ЗАБОРОНЯЄТЬСЯ КОМЕРЦІЙНЕ ВИКОРИСТАННЯ ТА ВИКОРИСТАННЯ ПРИСТРОЮ У ВИРОБНИЧИХ ЗОНАХ ТА РОБОЧИХ ПРИМІЩЕННЯХ.**

### **ПЕРЕД ПЕРШИМ ВИКОРИСТАННЯМ**

**Після транспортування або зберігання пристрою при зниженій температурі необхідно витримати його при кімнатній температурі не менше 3 годин.**

- Вийміть соковижималку з упаковки.

### **Розбирайте та чистіть соковижималку перед її використанням**

- Вийміть штовхач (1) з завантажувальної горловини (3) кришки (4).
- Зніміть з горловини (3) лоток (2).
- Поверніть кришку (4) проти годинникової стрілки до упору та зніміть кришку (4).
- Зніміть з моторного блоку (12) робочу чашу (8).
- Вийміть з робочої чаші (8) шнек (5).
- Вийміть з чаші (8) сітчастий фільтр (6) з сепаратором (7), зніміть сепаратор (7) з фільтра (6).
- Ретельно промийте всі знімні деталі, які контактуватимуть з продуктами, теплою водою з нейтральним мийним засобом та просушіть їх.
- Моторний блок (12) протріть злегка вологою тканиною, після чого витріть досуха.
- Використовуйте соковижималку на стійкій, рівній та сухій поверхні далеко від джерел тепла, вологи, відкритого полум'я та прямих сонячних променів.

### **СКЛАДАННЯ СОКОВИЖИМАЛКИ**

**Важливо!** Перевірте правильність установки **силіконового ущільнювача (11) у нижній частині робочої чаші (8)**. Силіконовий ущільнювач має щільно закрити канал виходу вичавків, інакше витікання соку з чаші (8) може стати причиною пошкодження пристрою. Під час чищення пристрою **силіконовий ущільнювач (11) необхідно зсунути убік, щоб відкрити канал виходу вичавків.**

**У випадку якщо у моторний блок потрапила вода або сік, вимкніть пристрій та зверніться до авторизованого (уповноваженого) сервісного центру.**

1. Установіть робочу чашу (8) на моторний блок (12).
2. На сітчастий фільтр (6) надягніть сепаратор (7). Установіть фільтр (6) з сепаратором (7) у чашу (8), для цього поверніть фільтр (6) за/проти годинникової стрілки до суміщення каналів виходу вичавків.
3. Установіть шнек (5) всередину чаші (8) з невеликим зусиллям, якщо треба, злегка

- поверніть його, щоб забезпечити повне насадження шнека (5) на привідну вісь.
- Установіть кришку (4) на робочу чашу (8) та поверніть її за годинниковою стрілкою до упору.
  - Установіть лоток (2) на завантажувальний горловину (3).

## ВИКОРИСТАННЯ СОКОВИЖИМАЛКИ

**Важливо! Перед початком роботи переконайтеся, що всі деталі встановлені правильно. Не вмикайте пристрій без продуктів, призначених для перероблення. Фрукти, овочі або ягоди, які призначені для перероблення, мають бути свіжими.**

- Перед вичавленням соку видаліть неістівні частини у овочів або фруктів, такі як плодоніжки, тверда шкурка або кісточки, наприклад, вишневі або персикові.
- Вимийте овочі або фрукти та поріжте їх на шматочки, які мають легко проходити в отвори завантажувальної горловини (3).
- Установіть соковижималку на рівній стійкій поверхні.
- Посудини (14, 15) розмістіть під носиками для зливу соку (9) та вичавків.
- Відкрийте носик для зливу соку (9), трохи піднявши кришку (10).
- Вставте вилку мережного шнура в електричну розетку.
- Увімкніть соковижималку, установивши перемикач (13) у положення «ON».

## Положення перемикача режимів роботи (13)

«ON» – соковижималка увімкнута.

«O» – соковижималка вимкнута.

«R» – реверс, увімкнення зворотного обертання шнека (5).

- Завантажуйте овочі або фрукти через отвори завантажувальної горловини (3) лише під час обертання шнека (5).
- Поступово опускайте попереду порізані овочі або фрукти через завантажувальну горловину (3) та злегка надавлюйте на них штовхачем (1). Не надавлюйте дуже сильно на штовхач (1), оскільки це може призвести до зниження кількості отримуючого соку і навіть до припинення обертання шнека (5). Чим повільніше відбувається оброблення овочів або фруктів, тим більше вихід соку.

- Забороняється опускати пальці та будь-які інші частини тіла або предмети в отвори завантажувальної горловини (3).
- Під час роботи періодично перевіряйте стан сітчастого фільтра (6) на предмет засмічення сітки м'якоттю і, якщо треба, промивайте сітчастий фільтр (6). Перед розбиранням соковижималки для зняття сітчастого фільтра (6) необхідно вимкнути соковижималку та вийняти вилку мережного шнура з електричної розетки.
- Наглядайте за заповненням посудин для вичавків та соку (14, 15).
- При заповненні посудин (14 або 15) вимкніть соковижималку та витягніть вилку мережного шнура з електричної розетки. Злийте сік та видаліть вичавки.

**Примітка:** щоб краплі соку не крапали на стіл, закрийте носик для зливу соку (9), для цього опустіть кришку (10).

**Увага!** Максимальний час безперервної роботи соковижималки складає близько 30 хвилин з подальшою перервою 30 хвилин. Після перероблення 1 кг твердих та волокнистих продуктів (цитрусових, ананасів і т.ін.) здійснюйте розбирання та чищення пристрою. Недотримання цієї вимоги може призвести до заклинювання шнека (5) та ускладнить чищення пристрою.

- Якщо обертання шнека (5) сповільнилося, у цьому випадку вимкніть соковижималку, установивши перемикач (13) у положення «O», після припинення обертання шнека (5) установіть та утримуйте перемикач (13) у положенні «R», при цьому увімкнеться функція зворотного обертання шнека (5). Через декілька секунд відпустіть перемикач (13). Витягніть вилку мережного шнура з розетки, зніміть кришку (4) та усуньте причину, пов'язану з обертанням шнека (5).

## Функція самоочищення

Якщо необхідно зробити чищення пристрою перед вичавленням соку з іншого виду овочів або фруктів, скористайтеся функцією самоочищення.

- Увімкніть соковижималку та залийте склянку води у завантажувальну горловину (3), при цьому велика частина м'якоті від попереднього вичавлення буде усунена.
- Очистіть та промийте посудини для вичавків (15) та для соку (14).

# УКРАЇНЬСКА

- Кожного разу після використання соковижималки робіть повноцінне чищення (див. розділ «ЧИЩЕННЯ ТА ДОГЛЯД»).

## КОРИСНІ ПОРАДИ

- Використовуйте тільки свіжі овочі та фрукти, так як в них міститься більше соку.
- Для приготування соку можна використувати різні овочі, такі як морква, огірки, буряк, стебла селери, шпинат, помідори, або використовуйте фрукти: яблука, виноград, ананаси.
- Ягоди рекомендується мити безпосередньо перед вичавленням соку, так як вони швидко втрачають свіжість.
- Знімати тонку шкірку з фруктів або овочів немає необхідності, досить лише зрізати товсту шкуру, наприклад, у ананасів, буряку, бананів та цитрусових.
- При приготуванні яблучного соку пам'ятайте, що його насиченість залежить від сорту яблук.
- Вибирайте сорт яблук, з яких виходить сік, що відповідає вашим вимогам.
- Видаліть кісточки з фруктів, так як вони можуть пошкодити пристрій.
- Для поліпшення смакових якостей та у дієтичних цілях можна приготувати сік з салату, шпинату, свіжих трав та сої (соеві боби необхідно попередньо замочити у воді на 10 годин).
- Конструкція соковижималки дозволяє зберігати у готовому соку максимальну кількість харчовальних елементів, тому сік отримується неосвітленим, так як у ньому присутня м'якоть.
- Пийте сік відразу після його приготування. При тривалому зберіганні на повітрі сік втрачає свої смакові якості та харчову цінність.
- Свіжовичавлений овочевий сік рекомендується запивати невеликою кількістю води, так як концентрація соку дуже висока.
- Яблучний сік швидко темніє, додайте у яблучний сік декілька крапель лимонного соку, і процес потемніння соку сповільниться.
- Якщо сік зберігатиметься у холодильнику, то перелийте його у чисту посудину з кришкою, щоб він не ввібрав запахи продуктів, що зберігаються в холодильнику. Небажано зберігати сік у металевій посу-

дині, так як сік може придбати відповідний присмак.

**Увага!** Соковижималка не призначена для перероблення дуже твердих та волокнистих продуктів, таких як кокос або айва.

## ЧИЩЕННЯ ТА ДОГЛЯД

**Після закінчення роботи або перед чищенням обов'язково вимикайте пристрій та вимикайте його з електромережі. Робіть розбирання та чищення соковижималки після кожного її використання:**

- витягніть штовхач (1) з завантажувальної горловини (3);
- зніміть лоток для продуктів (2);
- з чаші (8) зніміть кришку (4), повернувши кришку (4) проти годинникової стрілки до упору;
- зніміть чашу (8) з моторного блоку (12);
- з чаші (8) вийміть шнек (5);
- Вийміть з чаші (8) сітчастий фільтр (6) з сепаратором (7), зніміть сепаратор (7) з фільтра (6).
- отвори сітчастого фільтра (6) зручніше промивати з зовнішнього боку, використовуючи невелику щіточку;
- для чищення каналу виходу вичавків зсуньте силіконовий ущільнювач (11) убік;
- не використовуйте для промивання шнека (5) та інших знімних деталей посудомийну машину.
- Рекомендується промивати всі знімні деталі (1, 2, 3, 4, 5, 6, 7, 8, 14, 15) теплою водою з нейтральним мийним засобом відразу ж після закінчення використання соковижималки.
- Моторний блок (12) протирайте злегка вологою тканиною, після чого протріть його насухо. Забороняється занурювати моторний блок (12) у воду або у будь-які інші рідини та промивати його під струменем води.
- Для чищення соковижималки не використовуйте жорсткі губки, абразивні очищувальні засоби або розчинники.
- Деякі продукти, такі як морква або буряк, можуть забарвити знімні деталі соковижималки; для усунення слідів барвника можна використовувати суху тканину, змочену у рослинній олії, після очищення деталей промийте їх теплою водою з м'яким мийним засобом та просушіть.

## ЗБЕРІГАННЯ

- Перш ніж забрати пристрій на зберігання, переконайтеся, що він вимкнений з електричної мережі.
- Виконайте вимоги розділу «ЧИЩЕННЯ ТА ДОГЛЯД».
- Зберігайте пристрій у сухому прохолодному місці, недоступному для дітей та людей з обмеженими можливостями.

## КОМПЛЕКТ ПОСТАЧАННЯ

Соковижималка у зборі – 1 шт.

Посудина для соку – 1 шт.

Посудина для вичавків – 1 шт.

## ТЕХНІЧНІ ХАРАКТЕРИСТИКИ

Номинальна напруга: 220-240 В ~ 50 Гц

Номинальна сила струму 0,6 А

Максимальна потужність: 200 Вт

## УТИЛІЗАЦІЯ



Для захисту навколишнього середовища після закінчення терміну служби пристрою та елементів живлення не викидайте їх разом з побутовими відходами, передайте пристрій та елементи живлення у спеціалізовані пункти для подальшої утилізації.

Відходи, що утворюються при утилізації виробів, підлягають обов'язковому збору з подальшою утилізацією установленим порядком.

Для отримання додаткової інформації про утилізацію даного продукту зверніться до місцевого муніципалітету, служби утилізації побутових відходів або до крамниці, де Ви придбали цей продукт.

*Виробник зберігає за собою право змінювати дизайн і технічні характеристики пристрою без попереднього повідомлення*

**Термін служби пристрою – 3 роки**

## Гарантія

Докладні умови гарантії можна отримати в дилера, що продав дану апаратуру. При пред'явленні будь-якої претензії протягом терміну дії даної гарантії варто пред'явити чек або квитанцію про покупку.



*Даний продукт відповідає вимогам Директиви 2014/30/ЄС щодо електромагнітної сумісності та Директиви 2014/35/ЄС щодо низьковольтного обладнання.*

# КЫРГЫЗ

## ШНЕКТИК ШИРЕ СЫГУУЧУ АСПАП VT-3661 W

### ШНЕКТИК ШИРЕ СЫГУУЧУ АСПАП ДЕГЕН ЭМНЕ?

Шнектик шире сыгуучу аспаптарда шнектин төмөн ылдамдыгында – минутада 100 айланууларга чейин – шире сыгуу технологиясы колдонуп, иштетүү кубаттуулугу 200 Вт жакын. Ушундай шире сыгуучу аспаптарды «жай шире сыгуучу аспаптар» деп аташат, бирок бул аталышка алданбаңыз, шнектик шире сыгуучу аспап жөнөкөй аспаптарга караганда ширени батыраак жана шире чыгуунун жогоруураак проценти менен сыгат. Спираль сыяктуу шнеги азык-түлүктү майдалатып, майдаланган этин чыпкадан басып өткөзүп, андан ширени сыгат, мындай технологиясы сыгылган ширеде түстүү мөмө жана жашылча жемиштерде болгон фитонутриенттерди\* сактоону камсыз кылат. Шнек айлануунун төмөн ылдамдуулугу (минутада 100 айланууга чейин) менен азыктардын төмөн температурасы майдалатуу убагында сыгылган ширеде ички клеткалардын түзүлүшү, ферменттер, микроэлементтер жана витаминдердин сактоосун камсыз кылат.

### СЫПАТТАМА

1. Түрткүч
2. Азыктарды салуучу идиши
3. Азыктарды салуучу алкымы
4. Капкак
5. Шнек
6. Тор чыпкасы
7. Сепаратор
8. Иштөө табагы
9. Ширени куюу үчүн чорго
10. Ширени куюу үчүн чоргонун капкагы
11. Силикон тыгыздаткычы
12. Мотор сапсалгысы
13. Иштөө режимдердин которгучу «ON-0-R»
14. Шире үчүн идиши
15. Калдыктар үчүн идиши

### КООПСУЗДУК ЧАРАЛАРЫ

Шире сыгуучу аспапты колдонуунун алдында ушул колдонмону окуп-үйрөнүп, аны маалымат катары сактап алыңыз.

\* «Фитонутриенттер» аталмасы грек «фито» («өсүмдүк») жана «нутриент» («организмдин нормалдуу иштөөсүнө зарыл болгон азык компоненти») сөздөрдөн чыккан. Фитонутриенттери фитохимикаттар, б.а. өсүмдүк азыктардын биологиялык активдүү курамбөлүктөрү деп дагы аталышат.

Шайманды тике дайындоо боюнча гана, ушул колдонмодо жазылганга ылайыктуу колдонуңуз. Шайманды туура эмес пайдалануу анын бузулуусуна, колдонуучуга же колдонуучунун мүлкүнө зыян келтирүүгө алып келиши мүмкүн.

- **Токтоосуз иштөөнүн максималдуу мөөнөтү 30 минутадан ашпай, андан кийин 30 минутадан кем эмес тыныгуу жасоо зарыл.**
- Шайманды иштеткендин алдында шаймандын чыңалуусу электр тармагынын чыңалуусуна ылайык болгонун текшерип алыңыз.
- Шире сыгуучу аспапты кургак, тегиз, туруктуу беттин үстүндө колдонуңуз.
- Шире сыгуучу аспапты биринчи иштетүүдөн мурун иштетилген азыктарына тийишкен чечилме бөлүктөрүн жакшылап жууп алыңыз.
- Шире сыгуучу аспапты ар иштетүүнүн алдында тор чыпкасынын абалын текшерип.
- Жабдыгына кирген чечилүүчү бөлүктөрүн гана колдонуңуз.
- Имараттардын сыртында шайманды колдонууга тыюу салынат.
- Шайманды жана электр шнурун ысык беттердин, жылуулуктун булактарын жана эмеректин учтуу кырларынын жанында жайгашпаңыз.
- Шайманды колдонуп баштагандан мурун бардык бөлүктөрү туура орнотулганын текшерип.
- Шире сыгуучу аспаптын капкагы туура орнотулганда гана аспапты колдонсо болот.
- Аспапты иштеткенде азыктарды салуучу алкымына бармактарыңыз же башка буюмдар менен түртүүгө тыюу салынат. Бул максат үчүн түрткүчүн гана колдонуңуз.
- Шире сыгуучу аспап азыктарды майдалатуу же кошуу үчүн арналган эмес.
- Кубаттануучу сайгычы электр розеткасына сайылуу убагында шайманды ажыратууга тыюу салынат.
- Кубаттануучу сайгычын, электр шнуру менен мотор сапсалгысын суу колуңуз менен тийбеңиз.
- Шаймандын корпусунда шире же суу тамчылары пайда болгондо аспапты өчүрүп, кубаттауучу сайгычын электр розеткадан суруп, корпусун кургак чүпүрөк менен сүртүңүз.
- Шайманды иштетип бүткөндөн кийин аны өчүрүп, сайгычын электр розеткадан чыгарыңыз.

- Шайманды электр тармагынан сурганда аны шуурду кармап эч качан тартпаңыз, сайгычынан кармап абайлап розеткадан чыгарыңыз.
- Шайманды оюнчук катары колдонууга балдарга уруксат бербениз.
- Бул шайман балдар колдонгону үчүн арналган эмес.
- Шайман иштеген учурда балдарга корпусун жана электр шнурун тийгенге уруксат бербениз.
- Шайман иштеп турганда жана иштөө циклдердин арасында аны балдардын колу жетпеген жерге коюңуз.
- Бул шайман дене күчү, сезими же акыл-эси жагынан жөндөмдүүлүгү төмөн (ошонун ичинде балдар да) адамдар же колдонуу боюнча тажрыйбасы же билими жок болгон адамдар, эгерде алардын коопсуздугуна жооптуу адам аларды көзөмөлдөп же инструкциялаган балбосо колдонуу үчүн ылайыкташтырылбаган.
- Балдардын коопсуздугу үчүн таңгак катары колдонулган полиэтилен баштыктарды кароосуз таштабаңыз.

**Көңүл буруңуз!** Полиэтилен баштыктар же таңгак пленкасы менен ойногонго балдарга уруксат бербениз. **Тумчуктуруунун коркунучу бар!**

- Электр шнуру менен сайгычтын абалын мезгилдүү түрдө текшерип туруңуз.
- Тор чыпкасынын, электр шнурунун, кубаттануучу сайгычынын бузулуулары бар болсо, шайман иштеп-иштебей турса же кулап түшкөндөн кийин шайманды колдонбоңуз.
- Шайманды өз алдынча оңдогонго тыюу салынат. Шайманды өз алдынча ажыратпай, ар кыл бузулуулар пайда болгон же шайман кулап түшкөн учурларда аны розеткадан суруп, кепилдик талонундагы же [www.vitek.ru](http://www.vitek.ru) сайтындагы тизмесине кирген автордоштурулган (ыйгарым укуктуу) тейлөө борборуна кайрылыңыз.
- Шайманды заводдук таңгагында гана транспорттоо зарыл.
- Шайманды балдар жана жөндөмдүүлүгү төмөн болгон адамдар жетпеген жеринде сактаңыз.

**АСПАП ТУРАК ЖАЙЛАРДА ТУРМУШ-ТИРИЧИЛИК КОЛДОНУУГА ГАНА АРНАЛГАН, КОММЕРЦИЯЛЫК КОЛДОНУУГА, ӨНӨР ЖАЙ ЗОНАЛАРЫНДА ЖЕ ЖУМУШ ИМАРАТТАРДА КОЛДОНУУГА ТЫЮУ САЛЫНАТ.**

**БИРИНЧИ ИШТЕТҮҮНҮН АЛДЫНДА**  
**Төмөндөгөн температурада шайманды транспорттоодон же сактоодон кийин аны үч сааттан кем эмес мөөнөткө үй температурасында сактоо зарыл.**

- Шире сыгуучу аспапты таңгактан чыгарыңыз.

**Шире сыгуучу аспапты колдонуудан мурун аны ажыратып, тазалап алыңыз:**

- Түрткүчтү (1) капкактын (4) алкымынан (3) чыгарыңыз.
- Алкымынан (3) идишти (2) чечиңиз.
- Капкакты (4) саат жебесинин багытына каршы токтогон жайына бурап, капкагын (4) чечиңиз.
- Иштөө табагын (8) мотор сапсалгысынан (12) чечиңиз.
- Иштөө табагынан (8) шнекти (5) чыгарыңыз.
- Табактан (8) тор чыпкасы (6) менен сепараторун (7) чечип, сепараторду (7) чыпкадан (6) чечиңиз.
- Иштеткен азыктарды тие тугран бардыгы чечилүүчү болүктөрүн нейтралдуу жуучу каражат менен жылуу сууга кылдаттык менен жууңуз да кургатып алыңыз.
- Мотор сапсалгысын (12) жумшак бир аз нымдуу чүпүрөк менен сүртүп, андан соң кургатып сүртүңүз.
- Шире сыгуучу аспапты туруктуу, тегиз кургак беттин үстүндө жылуулук, нымдуулук же ачык от булактарынан жана күн нурларынан алыс жерде колдонуңуз.

**ШИРЕ СЫГУУЧУ АСПАПТЫ КУРАШТЫРУУ**  
**Маанилүү! Силикон тыгыздоочу (11) иштөө табагынын (8) ылдый жагында туура орнотулганын текшерип алыңыз. Силикон тыгыздоочу калдыктарды чыгаруучу каналды бекем жабуу зарыл, же болбосо табагынан (8) ширеси акканы шаймандын бузулуусуна алып келүү мүмкүн. Шайманды тазалаган учурунда калдыктарды чыгаруучу каналын ачуу үчүн силикон тыгыздоочусун (11) бир жагына жылдыруу зарыл. Мотор сапсалгысына суюктук же шире куюлган болсо, шайманды өчүрүп, автордоштурулган (ыйгарым укуктуу) тейлөө борборуна кайрылыңыз.**

1. Иштөө табагын (8) мотор сапсалгысына (12) орнотуңуз.
2. Тор чыпкасына (6) сепараторду (7) орнотуңуз. Сепаратор (7) менен чыпкасын

- (6) табактын (8) ичине орнотуңуз, ал үчүн чыпканы (6) калдыктары чыгуу каналдар дал келгенине чейин саат жебесинин багыты боюнча/каршы бурап туруңуз.
3. Шнекти (5) табактын (8) ичине бир аз күч салып орнотуңуз, зарыл болсо, шнекти (5) кыймылга келтирүүчү огуна толугу менен орнотулганын камсыз кылуу үчүн бир аз бурап туруңуз.
  4. Капкагын (4) иштөө табагынын (8) үстүнө орнотуп, саат жебесинин багыты боюнча токтогонунан чейин бураңыз.
  5. Идишти (2) азыктар салуучу алкымына (3) орнотуңуз.

## ШИРЕ СЫГУУЧУ АСПАПТЫ КОЛДОНУУ

**Маанилүү! Шайманды колдонуп баштагандан мурун бардык бөлүктөрү туура орнотулганын текшерипиз. Иштеле турган азыктары салынбаган шайманды иштетпеңиз. Иштете турган мөмө-жемиштер, жашылчалар жана жер жемиштер жаңы болуу зарыл.**

- Шире сыгуудан мурун жемиш/жашылчаларды сабагы, катуу кабык же алча, шабдалы данектериндей катуу данектер катары желбес бөлүктөрүн алып салыңыз.
- Мөмө-жемиштерди, жашылчаларды жууп, азыктар салуучу алкымынан (3) оңой өтө турган кесимдерине кесиңиз.
- Шире сыгуучу аспапты кургак, тыгыз, туруктуу бетине орнотуңуз.
- Табактарын (14, 15) шире куюлуучу (9) жана калдыктарды чыгаруучу чорголорунун астына орнотуңуз.
- Капкакты (10) бир аз көтөрүп, шире куюлуучу чоргосун (9) ачыңыз.
- Кубаттуучу сайгычын электр розеткасына сайыңыз.
- Которгучту (13) «ON» абалына коюп, шире сыгуучу аспапты итетиңиз.

## Иштөө режимдердин которгучунун (13) абалдары

- «ON» – шире сыгуучу аспап иштейт.  
 «O» – шире сыгуучу аспап өчүрүлгөн  
 «R» – реверс, шнектин (5) тескери айлануусун иштетүү.
- Шнеги (5) аланып турганда гана азыктарды азык салуучу алкымына (3) салыңыз.
  - Тууралган азыктарды азык салуучу алкымына (3) аларды түрткүч (1) менен

түртүп аз-аздан салып туруңуз. Түрткүчтү (1) өтө катуу түртпөнүз, анткени бул сыгылган ширенин көлөмүн азайтууга же шнектин (5) токтогонунан алып келиши мүмкүн. Жемиш же жашылчалар канча акырындык менен иштетилип турса, ошончо ширенин көлөмү чоң болот.

- Азык салуучу алкымына (3) бармактарды же башка буюмдарды салууга тыюу салынат.
- Шайманды иштеткен убагында тор чыпкасы (6) сулп эти менен ыпластанбаганын текшерип, керек болгондо тор чыпкасын (6) жууп туруңуз. Тор чыпкасын (6) чыгаруу үчүн шире сыгуучу аспапты ажыраткандан мурун шире сыгуучу аспапты өчүрүп, электр шнурунун сайгычын розеткадан суруңуз.
- Калдыктар топтоочу жана шире куюлуучу табактары (14, 15) толуп турганын байкап туруңуз.
- Табактары (14, 15) толуп калганда шире сыгуучу аспапты өчүрүп, сайгычын розеткадан чыгарыңыз. Ширени төгүп, калдыктарды ыргытып салыңыз.

**Эскертүү:** шире тамчылары столдун үстүнө түшпөгөнү үчүн шире куюлуучу чоргосун (9) жабыңыз, ал үчүн капкагын (10) ылдый жылдырып салыңыз.

**Көңүл буруңуз!** Токтоосуз иштөөнүн максималдуу мөөнөтү 30 минутадан ашпай, андан кийин 30 минутадан кем эмес тыныгуу жасоо зарыл.

1 кг катуу жана булалуу азыктарды (цитрус, ананас, алма, сабиз ж.б.) иштеткенден кийин шайманды ажыратып тазалап туруңуз. Бул талапты сактабаганы шнектин (5) шынаалоосуна алып келип, шайманды тазалоосун татаалдаштырат.

- Шнектин (5) айлануусунун ылдамдыгы азайып калса, которгучту (13) «0» абалына коюп шире сыгуучу аспапты өчүрүңүз, шнек (5) айланбай калганда (13) которгучун «R» абалында кармап туруңуз, ошондо шнектин (5) тескери айлануу функциясы иштейт. Бир нече секундандан кийин которгучту (13) бошотуңуз. Кубаттуучу сайгычын электр розеткасынан чыгарып, капкакты (4) чечип, шнектин (5) айлануусуна байланышкан себепти жоюңуз.

## Өзүн өзү тазалоо функциясы

Башкача мөмө же жашылча жемиштерден шире сыгуунун алдында шайманды тазалоо зарыл болсо, өзүн өзү тазалоо функциясын колдонуңуз.



- Шире сыгуучу аспапты иштетип, азыктарды салуучу алкымына (3) бир чыны суу куюп алыңыз, ошондо мурунку сыгуудан калган сүлп этинин көбүнчөсү кетирилет.
- Калдыктар (15) жана шире үчүн (14) табактарын бошотуп, жууп салыңыз.
- Шире сыгуучу аспапты ар колдонуудан кийин толук тазалоону өткөзүңүз («ТАЗАЛОО ЖАНА КАРОО» бөлүгүн караңыз).

## ПАЙДАЛУУ КЕҢЕШТЕР

- Жаңы жемиштер жана жашылчаларды колдонуңуз, анткени алардын ширесинин көлөмү көбүрөөк болот.
- Шире жасоо үчүн сабиз, бадыраң, кызылча, селдерей, шпинат, помидор катары ар кандай жашылчаларды же жемиштерди: алма, жүзүм, ананас - алса болот.
- Жер жемиштерди шире жасоодон алдында гана жуушу керек, анткени алар бат бузулат.
- Жемиштердин же жашылчалардын жумушак кабыгын алгандын керектиги жок, катуу кабыкты (ананастын же кызылчанын кабыгындай) алуу гана зарыл.
- Алманын ширесин жасаганда ширенин даамы алманын сортуна байланышканын эске тутуңуз.
- Силердин каалоңузга ылайык болгон ширеси сыгыла турган алманын түрлөрүн тандап алыңыз.
- Мөмө жемиштердин чоң данектерин алып салыңыз, алар шайманга зыян келтирүү мүмкүн.
- Даамын жакшылатуу үчүн жана диета максатында салат, шпинат, жаңы чөптөр жана соядан ширени жасасаңыз болот (соя бурчактарын алдын ала 10 саатка сууга чылап салыңыз).
- Шире сыгуучу аспаптын куралышы даяр ширенин ичинде тамак болуучу заттардын максималдуу өлчүмүн сактоосун камсыз кылып, даяр ширеде сүлп эти бар болуп, ал агартылбаган болуп чыгат.
- Ширени жасалгандан кийин дароо ичиңиз. Ачык абада көпкө чейин сактаганда шире даамы менен азыктандыруучу мүнөздөрүн жоготот.
- Жаңы сыгылган жашылча жемиш ширесин бир аз суу менен ичүүсү сунуш кылынат, себеби анын концентрациясы абдан жогору.
- Алманын ширеси тез убакытта карарып калат, бирок анын ичине лимон ширесинин

бир нече тамчысын кошкондо бул караргандын процессин жай кылат.

- Шире муздаткычта сактала турган болсо, шире муздаткычтагы азыктардын жыттарын өзүнө тартып албас үчүн аны капкагы бар таза идишке куюп салыңыз. Металлдан жасалган идиште ширени сактоосу рекомендацияланбайт, анткени шире ылайыктуу даамын тартып алганы мүмкүн.

**Көңүл буруңуз!** Шире сыгуучу аспап айва катары өтө катуу жана булалуу азыктарды иштетүүгө ылайыкташтырбаган.

## ТАЗАЛОО ЖАНА КАРОО

**Шайманды иштетип бүткөндө же тазалагандын алдында аны милдеттүү түрдө өчүрүп, электр тармагынан суруңуз. Шире сыгуучу аспапты колдонгондон кийин ар дайым ажыратып тазалап туруңуз:**

- түрткүчтү (1) капкактын алкымынан (3) чыгарыңыз;
- азыктар үчүн идишин (2) чечиңиз;
- табактын (8) капкагын (4) саат жебесинин багытына каршы токтогонуна чейин бурап, капкагын (4) чечиңиз;
- табагын (8) мотор сапсалгысынан (12) чечиңиз;
- табагынан (8) шнекти (5) чыгарыңыз;
- табактан (8) тор чыпкасы (6) менен сепараторун (7) чечип, сепараторду (7) чыпкадан (6) чечиңиз.
- тор чыпкасынын (6) тешиктерин сырткы жагынан кичине кыл калем менен жууганы ыңгайлуу болот;
- калдыктарды чыгаруу каналын тазалоо үчүн силикон тыгыздоочу катмарын (11) бир жагына жылдырып алыңыз;
- шнеги (5) менен башка чечилүү бөлүктөрүн жууганда идиш жуучу аспабын колдонбоңуз.
- Болгон чечилме бөлүктөрүн (1, 2, 3, 4, 5, 6, 7, 8, 14, 15) шире сыгуучу аспапты колдонуудан кийин токтоосуз нейтралдуу жуучу каражат менен жылуу сууга жууганы рекомендацияланат.
- Мотор сапсалгысын (12) бир аз нымдуу чүпүрөк менен сүртүп, кургатып сүртүңүз. Мотор сапсалгысын (12) сууга же башка суюктуктарга салууга, суу агымынын алдында жууганга тыюу салынат.
- Шире сыгуучу аспапты тазалоо үчүн металлдан жасалган щеткаларды жана абразивдүү же эритүүчү каражаттарды колдонбоңуз.

# КЫРГЫЗ

- Сабиз же кызылча катары кээ бир азыктары шире сыгуучу аспаптын чечилүүчү бөлүктөрүн боеп салышы мүмкүн; боекту өсүмдүк майына малынган кургак чүпүрөк менен кетирсеңиз болот, тазалагандан кийин бөлүктөрдү нейтралдуу жуучу каражат колдонуп жылу сууга жууп, кургатып алыңыз.

## САКТОО

- Шайманды сактоого койгондун алдында ал электр тармагынан ажыратылганын текшерип алыңыз.
- Шайманды узакка чейин сактоого койгондун алдында «ТАЗАЛОО ЖАНА КАРОО» бөлүмүндөгү талаптарын жасап алыңыз.
- Шайманды балдар жана жөндөмдүүлүгү төмөн болгон адамдар колу жетпеген жерлерде сактаңыз.

## ЖАБДЫКТЫН ЖЫЙЫНТЫГЫ

Шире сыгуучу аспап, кураштырылган – 1 даана.  
Шире куюлуучу табагы – 1 даана.  
Калдыктар куюлуучу табагы – 1 даана.

## ТЕХНИКАЛЫК МҮНӨЗДӨМӨСҮ

Номиналдуу чыңалуусу: 220-240 В ~ 50 Гц  
Номиналдуу токтуң кубаты 0,6 А  
Максималдуу кубаттуулугу: 200 Вт

## УТИЛИЗАЦИЯЛОО



Айлана чөйрөөнү коргоо максатында шайман менен азыктандыруучу элементтердин кызмат мөөнөтү бүткөндөн кийин аларды жөнөкөй турмуш-тирчилик калдыктары менен чогу ыргытпай, шайман менен азыктандыруучу элементтерин утилизациялоо үчүн атайын адистештирилген пункттарына тапшырыңыз. Шаймандарды утилизациялоодон пайда болгон калдыктарды милдеттүү түрдө чогултуп, андан соң белгиленген жолунда утилизациялоо зарыл. Бул шайманды утилизациялоо жөнүндө кошумча маалымат алуу үчүн жергиликтүү өкмөткө, турмуш-тирчилик калдыктарды утилизациялоо кызматына же бул шайманды алган дүкөнгө кайрылыңыз.

*Өңдүрүүчү шаймандардын дизайнерин жана техникалык мүнөздөмөлөрүн алдын ала эскертпей өзгөртүү укугун сактайт.*

## Шаймандын кызмат мөөнөтү – 3 жыл

### Кепилдик

Кепилдик берүү шарттары тууралуу толук маалыматтар буюмду саткан сатуучудан алууга болот. Кепилдик шарттарына ылайык талап кылып сатылган товарга чек же дүмүрчөктү көрсөтүү керек.

# EAC

**STORCĂTOR DE SUC CU MELC VT-3661 W****CE REPREZINTĂ UN STORCĂTOR DE SUC CU MELC?**

În storcătoarele de suc cu melc se folosește tehnologia stoarcerii sucului la o viteză mică de rotație a melcului – până la 100 rotații pe minută, în acest caz puterea de consum constituie circa 200 W. Astfel de storcătoare de suc sunt numite „storcătoare de suc lente”, însă nu dați atenție acestei denumiri, căci storcătorul de suc cu melc stoarce suc mai repede și cu un procent de ieșire mai mare decât storcătoarele de suc obișnuite. Melcul sub formă de spirală strivește produsul, apoi împinge pulpa mărunțită prin filtru, extrăgând din ea suc, o astfel de tehnologie permite de a păstra în suc stors o cantitate considerabilă de fitonutrienți\* care se conțin în fructe și legume. Anume viteza lentă de rotație a melcului (până la 100 rot/min) și temperatura joasă a produselor în procesul de mărunțire, garantează păstrarea structurii moleculare interioare, fermenților, microelementelor și vitaminelor în suc obținut.

**DESCRIERE**

1. Împingător
2. Platou pentru alimente
3. Gură de încărcare
4. Capac
5. Melc
6. Filtru cu sită
7. Separator
8. Vas de lucru
9. Vârf de scurgere a sucului
10. Capacul vârfului de scurgere a sucului
11. Etanșare din silicon
12. Bloc cu motor
13. Comutatorul regimurilor de lucru „ON-0-R”
14. Colector de suc
15. Container de colectare a boștinei

**MĂSURI DE SIGURANȚĂ**

Înainte de a începe exploatarea dispozitivului citiți cu atenție instrucțiunea de exploatare și păstrați-o pentru utilizare ulterioară în calitate de material de referință.

Utilizați dispozitivul doar conform destinației sale, cum este descris în prezenta instrucțiune.

\* Termenul „fitonutrienți” provine din limba greacă, și semnifică „fito” (plantă) și „nutrient” („component al alimentării, necesar pentru funcționarea normală a organismului”). Fitonutrienții mai sunt numiți și fitochimicate, adică componente naturale biologice active ale produselor vegetale.

Manipularea necorespunzătoare poate duce la defectarea dispozitivului sau poate cauza daune utilizatorului sau bunurilor acestuia.

- **Timpul maxim admisibil de funcționare continuă al storcătorului de suc constituie nu mai mult de 30 de secunde cu o pauză ulterioară cel puțin de 30 de minute.**
- Înainte de prima conectare, asigurați-vă că tensiunea din rețeaua electrică corespunde cu tensiunea de lucru a dispozitivului.
- Utilizați storcătorul de suc numai pe o suprafață uscată, plană și stabilă.
- Înainte de prima utilizare a storcătorului de suc spălați minuțios toate piesele detașabile care vor contacta cu alimentele prelucrate.
- Verificați starea filtrului cu sită înainte de fiecare utilizare a storcătorului de suc.
- Utilizați doar piesele detașabile care fac parte din setul de livrare.
- Nu utilizați dispozitivul în afara încăperilor.
- Nu amplasați dispozitivul și cablul de alimentare în apropierea suprafețelor fierbinți, surselor de căldură sau marginilor ascuțite ale mobilierului.
- Înainte de a începe utilizarea dispozitivului, asigurați-vă că toate piesele sunt instalate corect.
- Utilizarea storcătorului de suc este posibilă numai în cazul dacă capacul storcătorului de suc este corect instalat.
- În timpul funcționării, este interzisă împingerea alimentelor în gura de încărcare cu degetele sau alte obiecte. Utilizați în acest scop numai împingătorul.
- Storcătorului de suc nu este destinat pentru tocarea sau amestecarea alimentelor.
- Se interzice dezasblarea storcătorului de suc dacă fișa cablului de alimentare este conectată la priza electrică.
- Nu atingeți cablul de alimentare, fișa cablului de alimentare și blocul cu motor cu mâinile ude.
- La apariția picăturilor de umiditate sau suc pe corpul storcătorului de suc, opriți dispozitivul, deconectați-l de la rețeaua electrică și ștergeți corpul cu o cârpă uscată.
- După terminarea lucrului opriți dispozitivul și extrageți fișa cablului de alimentare din priza electrică.
- Extrăgând fișa cablului de alimentare din priza electrică, nu trageți de cablu de alimentare, ci apucați de fișa cablului de alimentare.

# ROMÂNĂ

- Nu permiteți copiilor să folosească dispozitivul în calitate de jucărie.
- Acest dispozitiv nu este destinat pentru a fi utilizat de către copii.
- Nu permiteți copiilor să atingă dispozitivul și cablul de alimentare în timpul funcționării dispozitivului.
- În timpul funcționării și în timpul pauzelor între ciclurile de lucru plasați dispozitivul în locuri inaccesibile pentru copii.
- Acest dispozitiv nu este destinat pentru a fi utilizat de către persoane (inclusiv copii) cu abilități fizice, psihice sau mentale reduse sau dacă nu au experiență sau cunoștințe, dacă aceștia nu sunt sub control sau instruiți cu privire la utilizarea dispozitivului de către persoana responsabilă de siguranța acestora.
- Din motive de siguranță a copiilor, nu lăsați pungile de polietilenă folosite ca ambalaj fără supraveghere.

**Atenție!** Nu permiteți copiilor să se joace cu pungile de polietilenă sau pelicula de ambalare.

## **Pericol de sufocare!**

- Verificați periodic starea cablului de alimentare și a fișei cablului de alimentare.
- Nu utilizați storcătorul de suc în cazul deteriorării filtrului cu sită, cablului de alimentare sau fișei cablului de alimentare, dacă dispozitivul funcționează cu întreruperi, precum și după căderea dispozitivului.
- Nu reparați dispozitivul de sine stătător. Nu dezamblați dispozitivul de sine stătător, în caz de defecțiune, precum și după căderea dispozitivului, deconectați dispozitivul de la priza electrică și adresați-vă la orice centru autorizat (împuternicit) de service la adresele de contact specificate în certificatul de garanție și pe site-ul [www.vitek.ru](http://www.vitek.ru).
- Transportați dispozitivul doar în ambalajul original.
- Păstrați dispozitivul la un loc inaccesibil pentru copii și persoane cu dizabilități.

**DISPOZITIVUL ESTE DESTINAT DOAR PENTRU UZ ÎN CONDIȚII CASNICE ÎN ÎNCĂPERI DE LOCUIT, ESTE INTERZISĂ UTILIZAREA COMERCIALĂ ȘI UTILIZAREA DISPOZITIVULUI ÎN ZONELE DE PRODUCȚIE ȘI ÎNCĂPERILE DE LUCRU.**

## **ÎNAINTE DE PRIMA UTILIZARE**

**După transportarea sau depozitarea dispozitivului la o temperatură scăzută**

**este necesar să-l mențineți la temperatura camerei timp de cel puțin 3 ore.**

- Scoateți storcătorul de suc din ambalaj.

## **Efectuați dezamblarea și curățarea storcătorului de suc înainte de a-l utiliza**

- Scoateți împingătorul (1) din gura de încărcare (3) a capacului (4).
- Scoateți platoul (2) din gura de încărcare (3).
- Rotiți capacul (4) în sensul invers acelor de ceasornic până când se oprește și scoateți capacul (4).
- Scoateți vasul de lucru (8) din blocul cu motor (12).
- Scoateți melcul (5) din vasul de lucru (8).
- Scoateți din vasul (8) filtrul cu sită (6) cu separatorul (7), scoateți separatorul (7) din filtrul (6).
- Spălați minuțios toate piesele detașabile care vor contacta cu alimentele cu apă caldă și un detergent neutru și uscați-le.
- Ștergeți blocul cu motor (12) cu o cârpă ușor umezită, apoi ștergeți-l până la uscat.
- Utilizați storcătorul de suc pe o suprafață stabilă, plană și uscată, departe de sursele de căldură, flacăra deschisă, umiditate și razele solare directe.

## **ASAMBLAREA STORCĂTORULUI DE SUC**

**Important! Verificați corectitudinea instalării etanșării din silicon (11) în partea inferioară a vasului de lucru (8).**

**Etanșarea din silicon trebuie să închidă strâns canalul de ieșire al boștinei, în caz contrar scurgerea sucului din vasul (8) poate cauza defectarea dispozitivului. În timpul curățării dispozitivului etanșarea din silicon (11) trebuie mișcată într-o parte, pentru a deschide canalul de ieșire a boștinei.**

**În caz dacă în blocul cu motor a nimerit lichid sau suc – deconectați dispozitivul și apelați un centru autorizat (împuternicit) de service.**

1. Montați vasul de lucru (8) pe blocul cu motor (12).
2. Puneți pe separatorul (7) filtrul (6). Instalați filtrul (6) cu separatorul (7) în vasul (8), pentru aceasta rotiți filtrul (6) în sensul/ sensul invers acelor de ceasornic până când canalele de ieșire a boștinei se vor potrivi.
3. Instalați melcul (5) în interiorul vasului (8) cu un efort neînsemnat, în caz de necesitate întoarceți-l ușor pentru a asigura așezarea

- completă a melcului (5) pe axul mecanismului de acționare.
- Montați capacul (4) pe vasul de lucru (8) și rotiți-l în sensul acelor de ceasornic până când se oprește.
  - Montați platoul (2) pe gura de încărcare (3).

## UTILIZAREA STORCĂTORULUI DE SUC

**Important! Înainte de a începe lucrul, asigurați-vă că toate piesele sunt instalate corect.**

**Nu porniți dispozitivul fără produsele destinate prelucrării în el.**

**Fructele, legumele sau pomușoarele destinate prelucrării trebuie să fie proaspete.**

- Înainte de stoarcerea sucului îndepărtați părțile necomestibile din legume sau fructe, cum ar fi tulpini, coajă dură sau sâmburi, de exemplu, de vișină sau piersici.
- Spălați legumele sau fructele și tăiați-le în bucăți care ar putea trece ușor în orificiul gurii de încărcare (3).
- Instalați storcătorul de suc pe o suprafață plană și stabilă.
- Plasați vasele (14, 15) sub vârful de scurgere a sucului (9) și boștinei.
- Deschideți vârful de scurgere a sucului (9) ridicând capacul (10).
- Introduceți fișa cablului de alimentare în priză electrică.
- Porniți storcătorul de suc, plasând comutatorul (13) în poziția „ON”.

## Poziția comutatorului regimurilor de lucru (13)

„ON” – storcătorul de suc este pornit.

„O” – storcătorul de suc este oprit.

„R” – revers, pornirea rotației în sensul invers al melcului (5).

- Încărcați legumele sau fructele prin orificiul gurii de încărcare (3) doar în timpul rotației melcului (5).
- Plasați treptat legumele sau fructele tăiate în prealabil în gura de încărcare (3) și presați-le ușor cu împingătorul (1). Nu apăsați excesiv împingătorul (1), deoarece aceasta poate provoca reducerea cantității de suc stors, ba chiar și oprirea rotației melcului (5). Cu cât mai lent are loc prelucrarea legumelor sau fructelor, cu atât extracția sucului este mai mare.
- Se interzice introducerea degetelor și a altor părți ale corpului sau a oricăror obiecte în orificiul gurii de încărcare (3).

- În timpul lucrului verificați periodic starea filtrului cu sită (6) dacă nu s-a înfundat cu boștină și după necesitate spălați filtrul cu sită (6). Înainte de dezasamblarea storcătorului de suc pentru a scoate filtrul cu sită (6), este necesar să opriți storcătorul de suc și să extrageți fișa cablului de alimentare din priză electrică.
- Urmăriți umplerea vaselor pentru boștina și suc (14, 15).
- La umplerea vaselor (14 sau 15) opriți storcătorul de suc și extrageți fișa cablului de alimentare din priză electrică. Scurgeți suc și înlăturați boștina.

**Remarcă:** pentru ca sucul să nu picure pe masă, închideți vârful de scurgere a sucului (9), pentru aceasta coborâți capacul (10).

**Atenție!** Timpul maxim de funcționare continuă al storcătorului de suc constituie aproximativ 30 de minute cu o pauză ulterioară de 30 de minute.

După prelucrarea a 1 kg de alimente dure și cu un conținut înalt de fibre (citrice, ananas, etc.) efectuați dezasamblarea și curățarea dispozitivului. Nerespectarea acestei cerințe poate provoca blocarea melcului (5) și va complica curățarea dispozitivului.

- Dacă rotația melcului (5) a încetinit, atunci deconectați storcătorul de suc, instalând comutatorul (13) în poziția „0”, după oprirea rotației melcului (5), instalați și mențineți comutatorul (13) în poziția „R”, în acest caz se va conecta funcția de rotație în sensul invers al melcului (5). După câteva secunde eliberați comutatorul (13). Extrageți fișa cablului de alimentare din priză, scoateți capacul (4) și înlăturați cauza legată de rotația melcului (5).

## Funcția de autocurățare

Dacă este necesar de a efectua curățarea dispozitivului înainte de a storce suc din alt tip de legume sau fructe, folosiți funcția de autocurățare.

- Conectați storcătorul de suc și turnați un pahar de apă în gura de încărcare (3), în acest caz cea mai mare parte din pulpa de la stoarcerea precedentă va fi înlăturată.
- Curățați și spălați containerul de colectare a boștinei (15) și colectorul de suc (14).
- De fiecare dată după utilizarea storcătorului de suc efectuați curățarea completă (vezi compartimentul („CURĂȚARE ȘI ÎNTREȚINERE”).

## SFATURI UTILE

- Folosiți doar legume și fructe proaspete, deoarece ele conțin o cantitate mai mare de suc.
- Pentru prepararea sucului pot fi folosite diverse legume, cum ar fi morcovul, castraveți, sfeclă, tulpini de țelină, spanac, roșii sau fructe: mere, struguri, ananas.
- Se recomandă spălarea pomușoarelor nemijlocit înaintea stoarcerii sucului, deoarece acestea își pierd repede prospețimea.
- Nu este necesar să curățați de coajă fructele sau legumele, este necesar de curățat doar alimentele cu coaja groasă, de exemplu ananasul, sfecla, banane și citrice.
- La prepararea sucului de mere țineți minte că intensitatea gustului sucului depinde de soiul de mere.
- Selectați soiul de mere din care veți obține sucul care va corespunde cerințelor Dvs.
- Înlăturați sâmburii din fructe, deoarece aceștia pot deteriora dispozitivul.
- Pentru a îmbunătăți calitățile gustative precum și în scopuri dietetice, se poate prepara suc din salată, spanac, ierburi proaspete și soia (boabele de soia trebuie scuminate preventiv în apă pentru 10 ore).
- Construcția storcătorului de suc permite de a păstra în sucul stors cantitatea maximă de substanțe nutritive, de aceea sucul se primește nelimpzit, întrucât în el se conține pulpa.
- Serviți sucul imediat după prepararea lui. Afându-se timp îndelungat în contact cu aerul, sucul pierde din calitatea gustului și valoarea sa nutritivă.
- Sucul proaspăt stors din legume se recomandă să fie băut cu o cantitate mică de apă, deoarece acesta este foarte concentrat.
- Sucul de mere se întunecă repede, adăugați în sucul de mere câteva picături de suc de lămâie, și procesul de întunecare a sucului va încetini.
- Dacă intenționați să păstrați sucul în frigider, atunci turnați-l într-un vas curat cu capac, ca sucul să nu absoarbă mirosurile alimentelor păstrate în frigider. Nu se recomandă păstrarea sucului într-un vas metalic, deoarece sucul poate dobândi un gust corespunzător.

**Atenție!** Storcătorul de suc nu este destinat pentru prelucrarea alimentelor foarte dure și cu un conținut înalt de fibre, precum ar fi cocosul sau gutuia.

## CURĂȚARE ȘI ÎNTREȚINERE

**După terminarea lucrului sau înainte de curățare opriți obligatoriu dispozitivul și deconectați-l de la rețeaua electrică.**

**Efectuați dezasamblarea și curățarea storcătorului de suc după fiecare utilizare:**

- scoateți împingătorul (1) din gura de încărcare (3);
- scoateți platoul pentru alimente (2);
- scoateți capacul (4) din vasul (8), rotind capacul (4) în sensul invers acelor de ceasornic până când se oprește;
- scoateți vasul (8) din blocul cu motor (12);
- scoateți melcul (5) din vasul (8);
- Scoateți din vasul (8) filtrul cu sită (6) cu separatorul (7), scoateți separatorul (7) din filtrul (6).
- este mai comod de a spăla orificiile filtrului cu sită (6) pe partea exterioară, folosind o periuță mică;
- pentru curățarea canalului ieșirii boștinei, mișcați etanșarea din silicon (11) într-o parte;
- nu folosiți mașina pentru spălat vase pentru curățarea melcului (5) și a altor detalii detașabile.
- Se recomandă spălarea tuturor detaliilor detașabile (1, 2, 3, 4, 5, 6, 7, 8, 14, 15) cu apă caldă și cu un detergent neutru imediat după ce ați finisat utilizarea storcătorului de suc.
- Ștergeți blocul cu motor (12) cu o cârpă ușor umezită, apoi ștergeți-l până la uscat. Se interzice scufundarea blocului cu motor (12) în apă sau oricare alte lichide și spălarea acestuia sub un jet de apă.
- Nu utilizați pentru curățarea storcătorului de suc bureți duri, detergenți abrazivi sau solvenți.
- Unele alimente, cum ar fi morcovul, sfecla, pot colora piesele detașabile ale storcătorului de suc; pentru înlăturarea urmelor de colorant, folosiți o cârpă uscată înmuiată în ulei vegetal, după curățarea pieselor spălați-le cu apă caldă cu un detergent moale și uscați-le.

## PĂSTRARE

- Înainte de depozitarea storcătorului de suc, asigurați-vă că el este deconectat de la rețea.
- Îndepliniți cerințele din compartimentul „CURĂȚARE ȘI ÎNTREȚINERE”.
- Păstrați dispozitivul la un loc uscat, răcoros, inaccesibil pentru copii și persoanele cu dizabilități.

## SET DE LIVRARE

Storcător de suc asamblat – 1 buc.  
 Colector de suc – 1 buc.  
 Container de colectare a boștinei – 1 buc.

## CARACTERISTICI TEHNICE

Tensiune nominală: 220-240 V ~ 50 Hz  
 Curent nominal 0,6 A  
 Putere maximă: 200 W

## RECICLAREA



În scopul protejării mediului înconjurător, după finalizarea termenului de exploatare a dispozitivului și a elementelor de alimentare, nu le aruncați împreună cu deșeurile menajere obișnuite, livrați dispozitivul și elementele de alimentare în punctele specializate pentru reciclare ulterioară.

Deșeurile formate în timpul reciclării produselor sunt supuse colectării obligatorii cu reciclarea ulterioară în modul stabilit.

Pentru mai multe informații privind reciclarea acestui produs, contactați primăria locală, serviciul de reciclare a deșeurilor menajere sau magazinul de unde ați achiziționat acest produs.

*Producătorul își rezervă dreptul de a modifica designul și caracteristicile tehnice a dispozitivului fără notificare prealabilă.*

**Termenul de funcționare a dispozitivului este de 3 ani**

## Garanție

În legătură cu oferirea garanției pentru produsul dat, rugăm să Vă adresați la distribuitorul regional sau la compania, unde a fost procurat produsul dat. Serviciul de garanție se realizează cu condiția prezentării bonului de plată sau a oricărui alt document financiar, care confirmă cumpărarea produsului dat.

*Acest produs respectă cerințele Directivei UE 2014/30/UE privind compatibilitatea electromagnetică și Directiva UE 2014/35/UE privind produsele de joasă tensiune.*



**GB**

A production date of the item is indicated in the serial number on the technical data plate. A serial number is an eleven-unit number, with the first four figures indicating the production date. For example, serial number 0606xxxxxx means that the item was manufactured in June (the sixth month) 2006.

**RUS**

Дата производства изделия указана в серийном номере на табличке с техническими данными. Серийный номер представляет собой одиннадцатизначное число, первые четыре цифры которого обозначают дату производства. Например, серийный номер 0606xxxxxx означает, что изделие было произведено в июне (шестой месяц) 2006 года.

**KZ**

Бұйымның шығарылған мерзімі техникалық деректері бар кестедегі сериялық нөмірде көрсетілген. Сериялық нөмір он бір саннан тұрады, оның бірінші төрт саны шығару мерзімін білдіреді. Мысалы, сериялық нөмір 0606xxxxxx болса, бұл бұйым 2006 жылдың маусым айында (алтыншы ай) жасалғанын білдіреді.

**UA**

Дата виробництва виробу вказана в серійному номері на табличці з технічними даними. Серійний номер представляє собою одинадцятизначне число, перші чотири цифри якого означають дату виробництва. Наприклад, серійний номер 0606xxxxxx означає, що виріб був виготовлений в червні (шостий місяць) 2006 року.

**KG**

Буюм иштеп чыгарылган датасы сериялык номурунда техникалык маалыматтар жадыбалында көрсөтүлгөн. Сериялык номуру он бир орундуу сан болот, анын биринчи төрт саны өндүрүш датасын көрсөтөт. Мисалы, сериялык номуру 0606xxxxxx болгон буюм 2006 жылдын июнунда (алтынчы айында) өндүрүлгөн.

**RO**

Data fabricării este indicată în numărul de serie pe tabelul cu datele tehnice. Numărul de serie reprezintă un număr din unsprezece cifre, primele patru cifre indicând data fabricării. De exemplu, dacă numărul de serie este 0606xxxxxx, înseamnă că produsul dat a fost fabricat în iunie (luna a asea) 2006.



ЗАПРЕЩЕНО УТИЛИЗИРОВАТЬ  
С БЫТОВЫМ МУСОРОМ.  
ОБРАТИТЕСЬ НА СООТВЕТСТВУЮЩИЙ  
ПУНКТ ПЕРЕРАБОТКИ ЭЛЕКТРИЧЕСКОГО  
И ЭЛЕКТРОННОГО ОБОРУДОВАНИЯ.