

Instructions Manual

Manuel d'Instructions

Bedienungsanleitung

Manual de instrucciones

Εγχειρίδιο οδηγιών

Руководство по эксплуатации

INDEX

EN

RECOMMENDATIONS AND SUGGESTIONS	3
CHARACTERISTICS	6
INSTALLATION	8
USE	18
MAINTENANCE	20

SOMMAIRE

FR

CONSEILS ET SUGGESTIONS	22
CARACTERISTIQUES	25
INSTALLATION	27
UTILISATION	37
ENTRETIEN	39

INHALTSVERZEICHNIS

DE

EMPFEHLUNGEN UND HINWEISE	41
CHARAKTERISTIKEN	44
MONTAGE	46
BEDIENUNG	56
WARTUNG	58

ÍNDICE

ES

CONSEJOS Y SUGERENCIAS	60
CARACTERÍSTICAS	63
INSTALACIÓN	65
USO	75
MANTENIMIENTO	77

ΠΕΡΙΕΧΟΜΕΝΑ

GR

ΣΥΜΒΟΥΛΕΣ ΚΑΙ ΣΥΣΤΑΣΕΙΣ	79
ΧΑΡΑΚΤΗΡΙΣΤΙΚΑ	82
ΕΓΚΑΤΑΣΤΑΣΗ	84
ΧΡΗΣΗ	94
ΣΥΝΤΗΡΗΣΗ	96

УКАЗАТЕЛЬ

RU

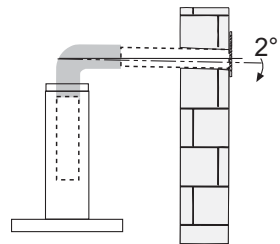
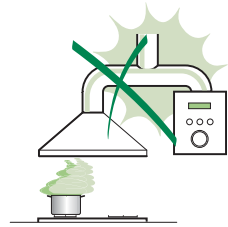
СОВЕТЫ И РЕКОМЕНДАЦИИ	98
ΧΑΡΑΚΤΗΡΙΣΤΙΚΑ	101
УСТАНОВКА	103
ЭКСПЛУАТАЦИЯ	113
УХОД	115

RECOMMENDATIONS AND SUGGESTIONS

△ The Instructions for Use apply to several versions of this appliance. Accordingly, you may find descriptions of individual features that do not apply to your specific appliance.

INSTALLATION

- The manufacturer will not be held liable for any damages resulting from incorrect or improper installation.
- The minimum safety distance between the cooker top and the extractor hood is 650 mm (some models can be installed at a lower height, please refer to the paragraphs on working dimensions and installation).
- Check that the mains voltage corresponds to that indicated on the rating plate fixed to the inside of the hood.
- For Class I appliances, check that the domestic power supply guarantees adequate earthing. Connect the extractor to the exhaust flue through a pipe of minimum diameter 120 mm. The route of the flue must be as short as possible.
- Do not connect the extractor hood to exhaust ducts carrying combustion fumes (boilers, fireplaces, etc.).
- If the extractor is used in conjunction with non-electrical appliances (e.g. gas burning appliances), a sufficient degree of aeration must be guaranteed in the room in order to prevent the backflow of exhaust gas. The kitchen must have an opening communicating directly with the open air in order to guarantee the entry of clean air. When the cooker hood is used in conjunction with appliances supplied with energy other than electric, the negative pressure in the room must not exceed 0,04 mbar to prevent fumes being drawn back into the room by the cooker hood.
- In the event of damage to the power cable, it must be replaced by the manufacturer or by the technical service department, in order to prevent any risks.

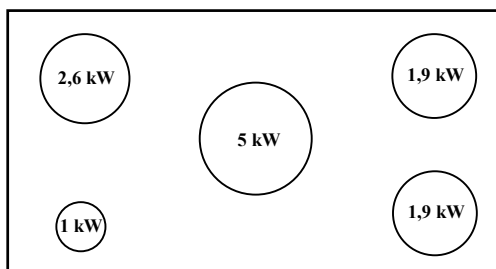


- If the instructions for installation for the gas hob specify a greater distance specified above, this has to be taken into account. Regulations concerning the discharge of air have to be fulfilled.
- Use only screws and small parts in support of the hood.

Warning: Failure to install the screws or fixing device in accordance with these instructions may result in electrical hazards.

- Connect the hood to the mains through a two-pole switch having a contact gap of at least 3 mm.
- This Cooker hood can be used in conjunction with a Gas Cook Top having the following characteristics:

- Maximum power 12,4 kW
- 5 fire like the picture



USE

- The extractor hood has been designed exclusively for domestic use to eliminate kitchen smells.
- Never use the hood for purposes other than for which it has been designed.
- Never leave high naked flames under the hood when it is in operation.
- Adjust the flame intensity to direct it onto the bottom of the pan only, making sure that it does not engulf the sides.
- Deep fat fryers must be continuously monitored during use: overheated oil can burst into flames.
- Do not flambè under the range hood; risk of fire.
- This appliance can be used by children aged from 8 years and above and persons with reduced physical, sensory or mental capabilities or lack of experience and knowledge if they have been given supervision or instruction concerning use of the appliance in a safe way and understand the hazards involved. Children shall not play with the appliance. Cleaning and user maintenance shall not be made by children without supervision.




- “ **CAUTION:** Accessible parts may become hot when used with cooking appliances.”.

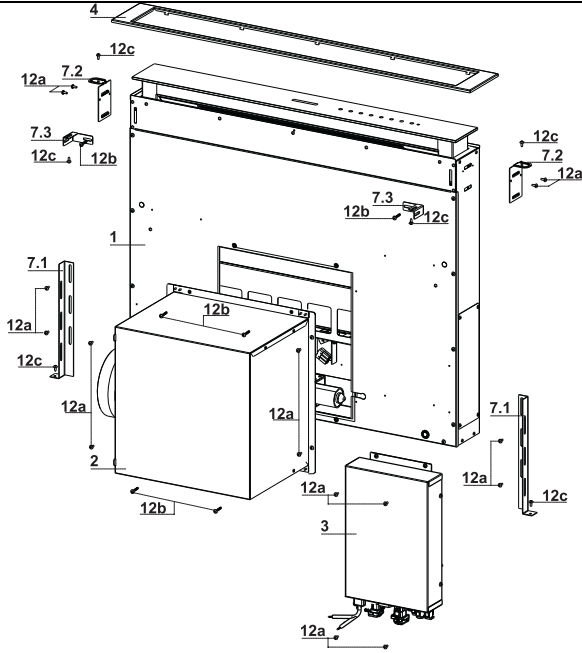
MAINTENANCE

- Switch off or unplug the appliance from the mains supply before carrying out any maintenance work.
- Clean and/or replace the Filters after the specified time period (Fire hazard).
- The Grease filters must be cleaned every 2 months of operation, or more frequently for particularly heavy usage, and can be washed in a dishwasher.
- The Activated charcoal filter is not washable and cannot be regenerated, and must be replaced approximately every 4 months of operation, or more frequently for particularly heavy usage.
- Clean the hood using a damp cloth and a neutral liquid detergent.



The symbol  on the product or on its packaging indicates that this product may not be treated as household waste. Instead it shall be handed over to the applicable collection point for the recycling of electrical and electronic equipment. By ensuring this product is disposed of correctly, you will help prevent potential negative consequences for the environment and human health, which could otherwise be caused by inappropriate waste handling of this product. For more detailed information about recycling of this product, please contact your local city office, your household waste disposal service or the shop where you purchased the product.

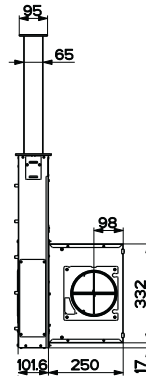
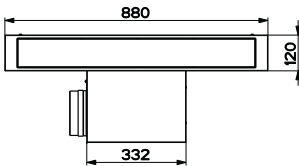
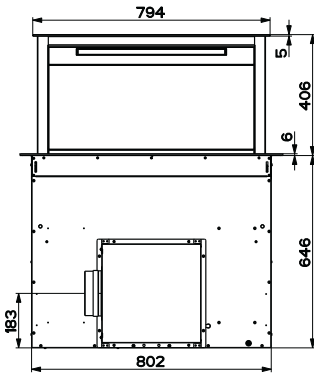
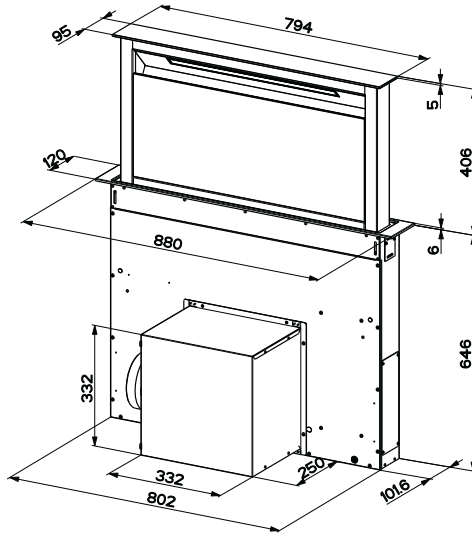
CHARACTERISTICS



Components

Ref.	Q.ty	Product Components
1	1	Hood Canopy complete with: Controls, Light, Filters
2	1	Motor unit
3	1	Electric unit
4	1	Front Frame
Ref.	Q.ty	Installation Components
7.1	2	Splashback Fixing Bracket
7.2	2	Hob Fixing Bracket
7.3	2	Side Bracket
12a	16	Screws 3.5 x 9.5
12b	6	Screws M4 x 8
12c	6	Screws 4 x 15
Q.ty	Documentation	
1	Instruction Manual	

Dimensions



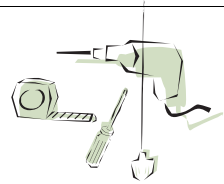
INSTALLATION

This Hood is set up to be fitted inside the kitchen unit in:

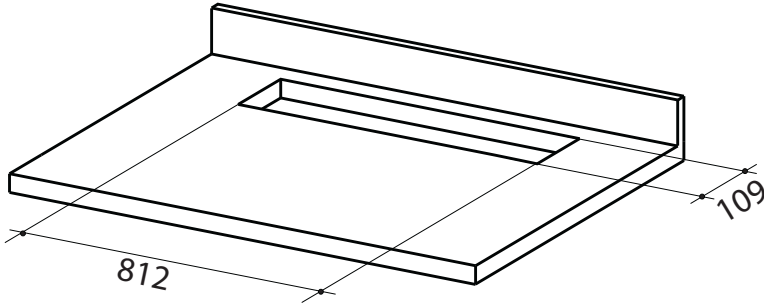
- **Ducting version:** Evacuation to the outside.
- **Recirculation version:** Internal recirculation.

Sequence of operations - Installation

- **Drilling the Support Surface and Fitting the Hood**
- **Connections**
- **Functional Check**
- **Disposal of Packaging**



Drilling the Support Surface

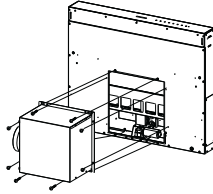


IMPORTANT

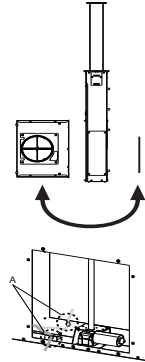
The minimum distance between the opening for the hob and the one for the hood must be of at least 3-5 cm according to the strength of the material used for the working top.

Inserting the Hood Canopy into the support surface from below

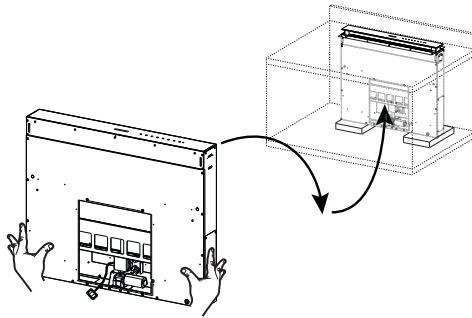
- The Hood is built ready for front installation of the Motor Unit.



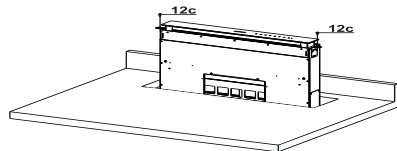
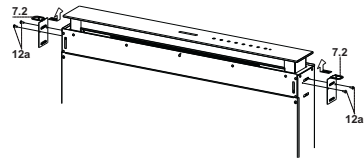
- If the kitchen unit is arranged differently and the Motor Unit has to be fitted on the back, the Plug already fitted on the back of the Hood Canopy must be removed and replaced at the front, and the Cable with cable raceway for connection of the Motor must also be repositioned using the slot provided on each side (A). Before proceeding, the Motor Unit must be fixed to the Hood Canopy (see paragraph on Fixing the Motor Unit).



- Insert the Hood Canopy from below into the support worktop, drilled as described above.
- With the aid of a support, lift the Hood Canopy until the front comes out of the Worktop.



- Insert the Brackets 7.2, as indicated in the figure, into the slots provided and fix them with the screws 12a provided.
- Centre the Hood Canopy with respect to the Cooking Hob slot.
- Using the 2 screws 12c provided, fix the Hood Canopy to the worktop and remove the supports.

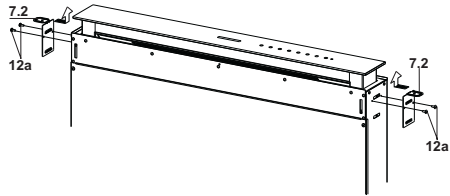


Warning:

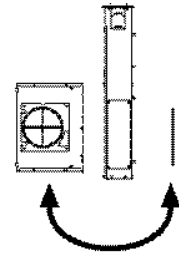
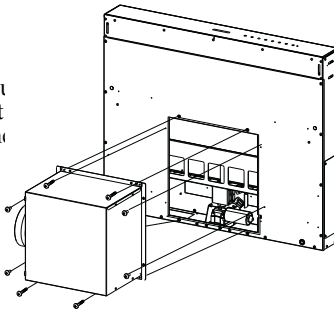
If the cooker top is made from a material that does not allow the screws 12c to be inserted, use a small amount of silicone to glue the Brackets 7.2 to the top and allow it to dry completely before proceeding with installation

Inserting the Hood Canopy into the support surface from above

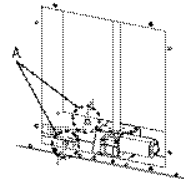
- Insert the Brackets **7.2**, as indicated in the figure, into the slots provided and fix them with the screws **12a** provided.



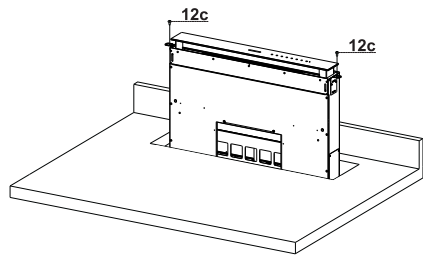
- The Hood is bu ready for front stallation of th Motor Unit.



- If the kitchen unit is arranged differently and the Motor Unit has to be fitted on the back, the Plug already fitted on the back of the Hood Canopy must be removed and replaced at the front, and the Cable with cable raceway for connection of the Motor must also be repositioned using the slot provided on each side (A).



- Insert the Hood Canopy into the cooker top, drilled as described above.
- Centre the Hood Canopy with respect to the Cooking Hob slot.
- Fix the Hood Canopy with the 2 screws **12c** provided.

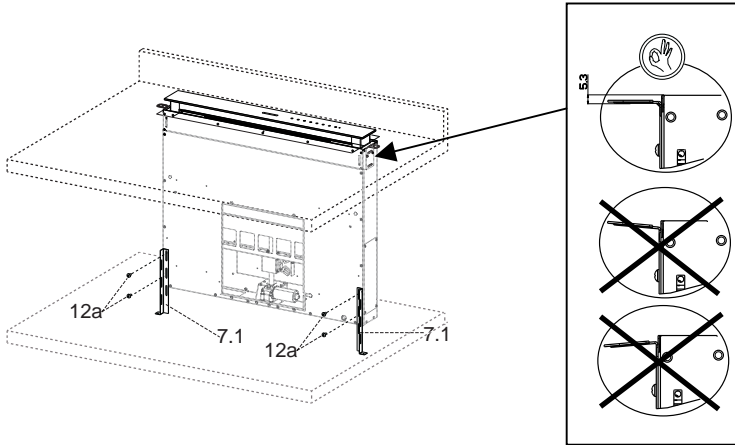


Warning:

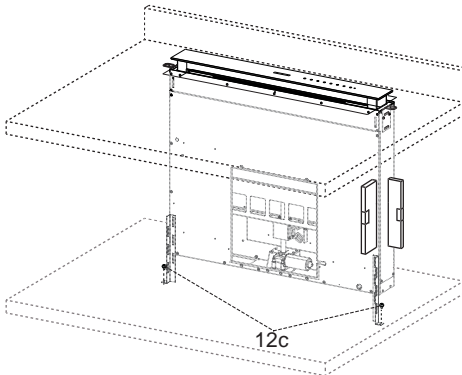
If the cooker top is made from a material that does not allow the screws **12c** to be inserted, use a small amount of silicone to glue the Brackets **7.2** to the top and allow it to dry completely before proceeding with installation.

Fixing the Lower Brackets

- Screw the brackets **7.1** to the front of the Hood Canopy using the screws **12a** provided.
- Before tightening the Brackets completely, make all the adjustments to allow them to rest on the lower base of the worktop to avoid deformation of the upper brackets **7.2** as shown in the figure.



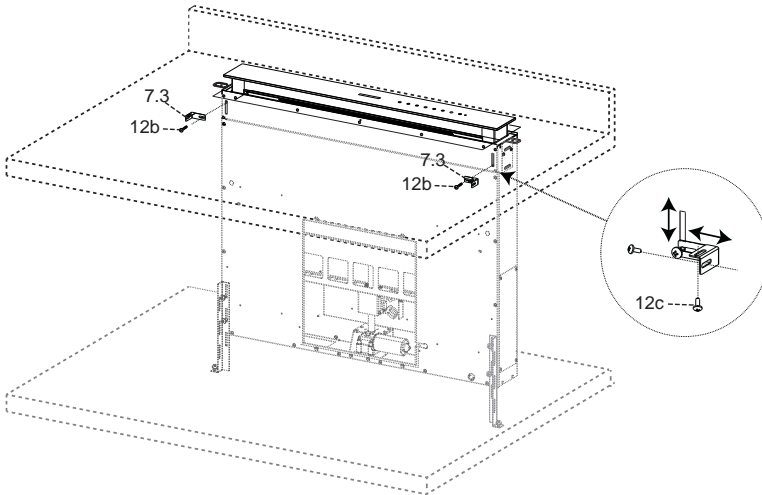
- With the aid of a spirit level, set the Hood Canopy level vertically and fix it to the Lower Surface using 2 screws **12c** provided.



- Tighten the screws **12a** completely.

Fixing the Squaring Brackets

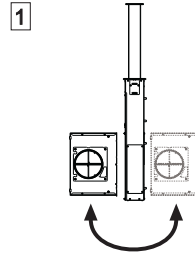
- Screw the brackets **7.3** to the Hood Canopy using the screws **12b** provided, without tightening completely.
- Using the screws **12c** provided, fasten the other part of the brackets **7.3** either to the side walls of the unit or to the lower part of the cooker top.



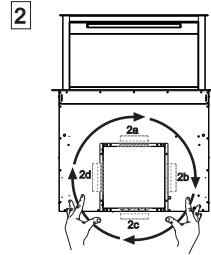
- Tighten the screws **12c** and **12b** completely.

Fixing the Motor Unit

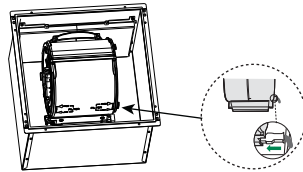
- Installation of the Motor Unit (1) at the front or rear must be decided according to the position of the Kitchen unit, making sure that the plug is properly positioned.



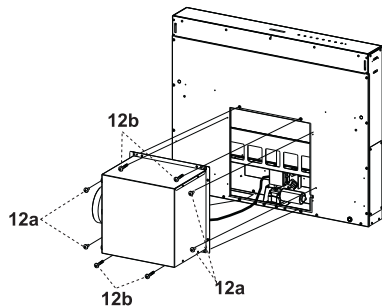
- Subsequently, according to where the air outlet opening has been created on the unit, the Motor Unit can be turned by 90° at a time so as to allow the air to come out on all 4 sides in correspondence with the opening in Unit (2).



- Connect the connector from the Hood Canopy to the Motor Unit connection.

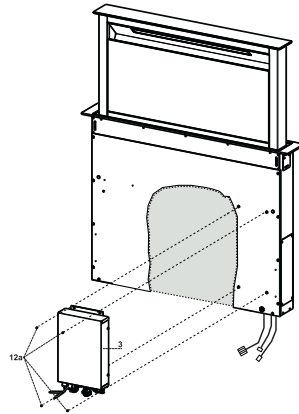


- Screw the Motor Unit to the Hood Canopy using the screws 12a and 12b provided as shown in the figure.

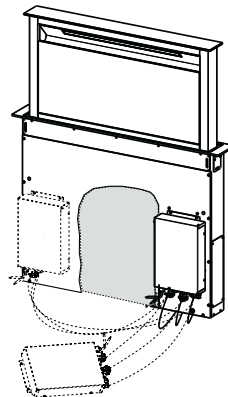


Fixing the Electric Unit

- Connect the Electric cables that come out of the lower right hand part of the Hood Canopy to the Connectors on the Electric unit.
- Each cable connector has a corresponding connector on the Electric Unit, so take care not to make mistakes when connecting up.



- Fix the Electric Unit to the Hood Canopy using the screws **12a** provided.
- The position indicated in the figure is only an option, as if necessary it may also be fitted on the left of the Hood Canopy or even left free on the base of the unit if there are no structural or safety problems involved.



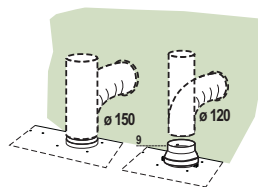
⚠ Warning..: Do not install the product in such a way that the wiring box is in contact with the floor.

Connections

DUCTED VERSION AIR EXHAUST SYSTEM

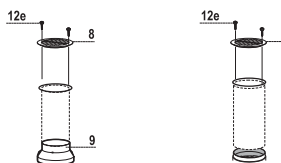
When installing the ducted version, connect the hood to the chimney using either a flexible or rigid pipe \varnothing 150 or 120 mm, the choice of which is left to the installer.

- To install a \varnothing 120 mm air exhaust connection, insert the reducer flange **9** on the hood body outlet.
- Fix the pipe in position using sufficient pipe clamps (not supplied).
- Remove possible charcoal filters.



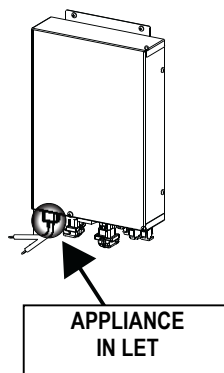
AIR OUTLET – RECIRCULATION VERSION

- Connect the Flange to the air outlet opening using a rigid or flexible pipe of \varnothing 120 or 150 mm.
- To connect using a \varnothing 120 mm pipe, insert the reduction Flange **9** onto the Hood canopy outlet.
- Fasten the pipe using suitable pipe clamps. The materials required to do so are not provided.
- Fix the directional Grid **8** on the outlet, using 2 screws **12e** (2.9 x 9.5) provided.
- Make sure that the activated charcoal filters are present (see paragraph on Activated Charcoal Filter Maintenance).



ELECTRICAL CONNECTION

- Connect the hood to the mains through a two-pole switch having a contact gap of at least 3 mm..



Fitting the Front element

- Lift the mobile hood canopy (see paragraph on Use) by just a few centimetres.
- To stop movement, simply press down on the mobile canopy as it lifts up.

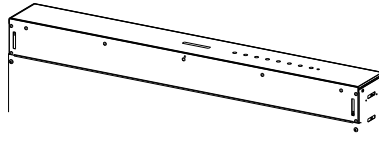
Warning: Never block the sliding door when it is opening or closing, except during the operations required to fit the frame.

- Remove the sponge guards from the corners of the glass.
- Take the front Frame and insert it from above, making sure that its tabs insert into the slots provided on the Hood and sliding it to the left.

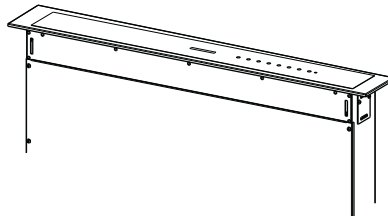
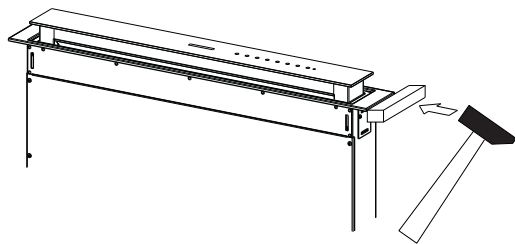
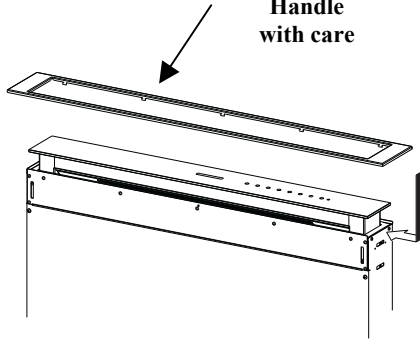
Warning...: All the tabs must be inserted.

- Use a tool (hammer) to tap all along the front Frame from right to left until it is completely flush. A piece of wood or similar element can be inserted between the hammer and the front Frame to prevent any damage.

- Please refer to the paragraph on Use for indications of how to return the mobile canopy to the Standard position.

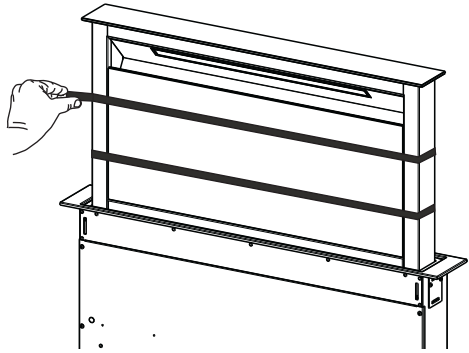


Warning...:
Handle
with care

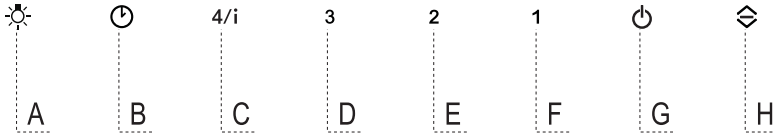


Surround Suction Panel

- Open the Hood Door (see USE).
- Remove the 2 strips of adhesive tape fastening the panel during transport.



USE



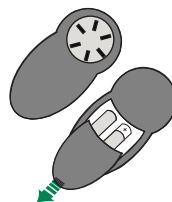
Control panel

Button	Function	LED button
A	The button only works when the door is open.	
	Press Briefly = Turns the Lights On/Off at maximum intensity.	
	Press and hold for 2 Seconds = Turns the Courtesy Lights On/Off.	
B	Only works with the Door Open. Press briefly = Activates/Deactivates Delay mode, causing automatic shutdown of the Motor and the Lighting system from any speed with a 30' delay. It is disabled by pressing the same button again, turning the motor off or closing the door.	LED Button B+ Button for the set Speed are lit.
	Works both with the Door Closed and Open. Press and hold for 2 Seconds = With the filter alarm triggered the Filter Alarm is Reset , all leds flashing 3 times. These indications are only visible when the motor is turned off.	Fixed LED button: Indicates the need to wash the metal grease filters. The alarm is triggered after the Hood has been in operation for 100 working hours. Flashing LED button: Indicates the need to change the activated charcoal filters, and also to wash the metal grease filters. The alarm is triggered after the Hood has been in operation for 200 working hours.
C	Only works with the Door Open. Press briefly = Activates speed four .	Fixed LED button
	Only works with the Door Open. Press and hold for 2 seconds = Enables/Disables the Intensive speed. This speed is timed to run for 6 minutes. At the end of this time the system will return to the speed set previously. It is disabled by pressing the same button again, turning the motor off or closing the door.	Flashing LED button
D	Only works with the Door Open. Activates speed three .	Fixed LED button
E	Only works with the Door Open Activates/Deactivates speed two .	Fixed LED button
	Works both with Door Closed and Open with Motor + Lights = Off. Press and hold for 4 Seconds = Enables/disables the Keyboard lock .	All the LED buttons flash twice. During the Lock the LED buttons light up in sequence.
F	Only works with the Door Open. Press briefly = Activates/Deactivates speed one .	Fixed LED button
	Door Open or Closed Press and hold for 2 Seconds = Enables/Disables the Activated Charcoal Filter Alarm with the Motor turned off and no Filter Alarm triggered.	LED button B flashes twice = Activated Charcoal filter Alarm Activated LED button B flashes once = Activated Charcoal filter Alarm Deactivated
G	Door Open Press briefly = Turns the Motor off	LED button goes out
	Door Open or Closed Press and hold for 2 Seconds with Motor and Lights Off = Enables/Disables the Remote control .	LED button G + F flashes twice = Remote control Enabled LED button G + F flashes once = Remote control Disabled
H	Door Open = Closes the Door + Lights and Motor Off Door Closed = Opens the Door + Lights and Motor On. Warning: If the Door remains partially open for any reason, press the Button to complete the opening or closing cycle.	

REMOTE CONTROL (OPTIONAL)

The appliance can be controlled using a remote control powered by a 1.5 V carbon-zinc alkaline batteries of the standard LR03-AAA type (not included).

- Do not place the remote control near to heat sources.
- Used batteries must be disposed of in the proper manner.



Remote control panel

Warning..: The remote control receiver is deactivated when first supplied. To activate it, see the paragraph **Use Function of Button G**.

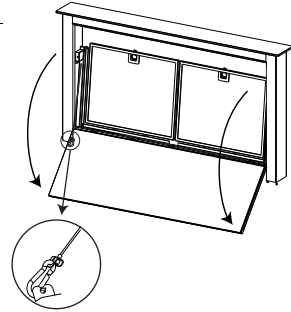


⏻	Motor	Door Closed: Opens the door, turns the motor on at speed one and turns the lights on at maximum intensity.
		Door Open: Brief pressure: Motor On / Off Pressed for 2 Seconds: Closes the Door and Motor + Lights = Off
–		Only with Door Open: Decreases the working speed each time it is pressed.
+		Only with Door Open: Increases the working speed each time it is pressed.
ⓘ	Intensive	Only with Door Open: Activates the Intensive function
⌚	Delay	Only with Door Open: Activates the Delay function
☀	Light	Only with Door Open: Brief pressure: Lights On / Off Pressed for 2 Seconds: Courtesy lights On / Off

MAINTENANCE

Cleaning the Comfort Panels

- Open the Comfort Panel by pulling it at the top.
- Unhook the security chain by opening the spring catch.
- Disconnect the panel from the hood canopy.
- The comfort panel must never be washed in the dishwasher.
- Clean the outside with a damp cloth and neutral detergent.
- Clean the inside using a damp cloth and neutral detergent; do not use wet cloths or sponges, or jets of water; do not use abrasive substances.
- On completing the operation, hook the panel and the spring catch up to the hood canopy again and close it.

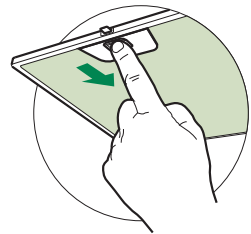


Metal grease filters

These can also be washed in the dishwasher, and need to be cleaned whenever button **B** lights up or at least once every 2 months use, or more frequently if use is particularly intensive.

Resetting the alarm signal

- Turn the Lights and the Suction Motor off.
- Press and hold button **B** for 2 seconds.



Cleaning the Filters

- Open the Door (see USE).
- Open the Comfort panel by pulling it.
- Remove the Filters one at a time, pushing them towards the back of the unit and at the same time pulling downward.
- Wash the Filters without bending them, and leave them to dry completely before replacing. (If the surface of the filter changes colour as time goes by, this will have absolutely no effect on the efficiency of the filter itself.)
- Replace, taking care to ensure that the handle faces forwards.
- Close the Comfort panel.

Activated Charcoal Filter (Recirculation Version)

Can be washed in the dishwasher. It must be washed when button **B** flashes or at least once every 4 months, or more frequently if use is particularly intense. Guaranteed to operate after washing for up to a maximum of 5 times before requiring replacement. The Alarm signal, if it has been activated, only appears when the Suction motor is turned on.

Activating the alarm signal

- In Recirculation Version Hoods, the Filter Saturation Alarm must be activated on installation or at a later date.
- Turn the Lights and the Suction Motor off.
- Press and hold button **F** for 2 seconds:
 - LED **B** flashes twice – Activated Charcoal Filter saturation alarm ACTIVATED.
 - LED **B** flashes once – Activated Charcoal Filter saturation alarm DEACTIVATED.

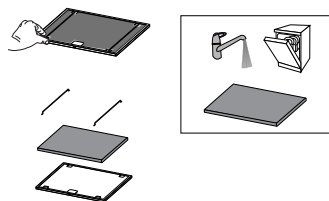
CHANGING THE ACTIVATED CHARCOAL FILTER

Resetting the alarm signal

- Turn the Lights and the Suction Motor off.
- Press and hold button **B** for 2 seconds.

Changing the Filter

- Remove the comfort panel.
- Remove the Metal grease filters.
- Remove the metal filter stops from the grease filter and clean the saturated activated charcoal odour filter.
- Replace the clean activated charcoal odour filter, hooking it back up to the grease filter using the metal filter stops.
- Replace the Metal grease filters.
- Close the comfort panel.



Lighting unit

Warning: This appliance is fitted with a white LED lamp classed as 1M according to EN 60825-1: 1994 + A1:2002 + A2:2001 standards; maximum optical power emitted @439nm: 7μW. Do not look directly at the light through optical devices (binoculars, magnifying glasses...).

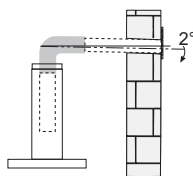
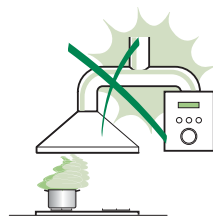
- For replacement contact technical support. ("To purchase contact technical support")

CONSEILS ET SUGGESTIONS

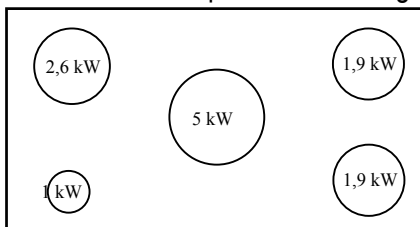
- △ Les instructions pour l'utilisation se réfèrent aux différents modèles de cet appareil. Par conséquent, certaines descriptions de caractéristiques particulières pourraient ne pas appartenir spécifiquement à cet appareil.

INSTALLATION

- En aucun cas le fabricant ne peut être tenu pour responsable d'éventuels dommages dus à une installation ou à une utilisation impropre.
- La distance de sécurité minimum entre le plan de cuisson et la hotte aspirante est de 650 mm (certains modèles peuvent être installés à une hauteur inférieure ; voir le paragraphe concernant les dimensions de travail et l'installation).
- Assurez-vous que la tension de votre secteur correspond à celle indiquée sur la plaque des données appliquée à l'intérieur de la hotte.
- Pour les appareils de Classe I, s'assurer que l'installation électrique de votre intérieur dispose d'une mise à la terre adéquate.
Relier l'aspirateur au conduit de cheminée avec un tube d'un diamètre minimum de 120 mm. Le parcours des fumées doit être le plus court possible.
- Ne pas relier la hotte aspirante aux conduits de cheminée qui acheminent les fumées de combustion (par exemple de chaudières, de cheminées, etc.).
- Si vous utilisez l'aspirateur en combinaison avec des appareils non électriques (par ex. appareils à gaz), vous devez garantir un degré d'aération suffisant dans la pièce, afin d'empêcher le retour du flux des gaz de sortie. La cuisine doit présenter une ouverture communiquant directement vers l'extérieur pour garantir l'amenée d'air propre. Si vous utilisez la hotte de cuisine en combinaison avec des appareils non alimentés à l'électricité, la pression négative dans la pièce ne doit pas dépasser 0,04 mbar afin d'éviter que la hotte ne réaspire les fumées dans la pièce.
- Si le cordon d'alimentation est endommagé, veuillez le faire remplacer par le fabricant ou par un service après-vente agréé pour éviter tout risque d'accident.



- Si les instructions d'installation du plan de cuisson à gaz spécifient une distance supérieure à celle indiquée ci-dessus, veuillez impérativement en tenir compte. Toutes les normes concernant l'évacuation de l'air doivent être respectées.
- Utiliser exclusivement des vis et des petites pièces du type adapté pour la hotte. **Attention** : toute installation des vis et des dispositifs de fixation non conforme aux présentes instructions peut entraîner des risques de décharges électriques.
- Brancher la hotte à l'alimentation de secteur avec un interrupteur bipolaire ayant une ouverture des contacts d'au moins 3 mm.
- Cette hotte aspirante peut être utilisée en association avec un plan de cuisson à gaz ayant les caractéristiques suivantes :
- Puissance maximum 12,4 kW
- 5 feux, comme illustré dans la figure.



UTILISATION

- Cette hotte aspirante a été conçue exclusivement pour un usage domestique, dans le but d'éliminer les odeurs de cuisine.
- Ne jamais utiliser la hotte pour des objectifs différents de ceux pour lesquels elle a été conçue.
- Ne jamais laisser un feu vif allumé sous la hotte lorsque celle-ci est en fonction.
- Régler l'intensité du feu de manière à l'orienter exclusivement vers le fond de la casserole, en vous assurant qu'il ne déborde pas sur les côtés.
- Contrôler constamment les friteuses durant leur utilisation : l'huile surchauffée risque de s'incendier.
- Ne pas flamber des mets sous la hotte : sous risque de provoquer un incendie.
- Cet appareil n'est pas destiné à être utilisé par des enfants d'un âge inférieur à 8 ans, ni par des personnes dont les capacités physiques, sensorielles ou mentales sont diminuées ou qui ont une expérience et des connaissances insuffisantes, à moins que ces enfants ou ces personnes ne soient attentivement surveillés et instruits sur la manière d'utiliser cet appareil en sécurité et sur les dangers que cela comporte. Assurez-vous que les enfants ne jouent pas avec cet appareil. Le nettoyage et l'entretien de la part de l'utilisateur ne doivent pas être effectués par des enfants, à moins que ce ne soit sous la surveillance d'une personne responsable.




- **ATTENTION** : les parties accessibles peuvent devenir très chaudes durant l'utilisation des appareils de cuisson.

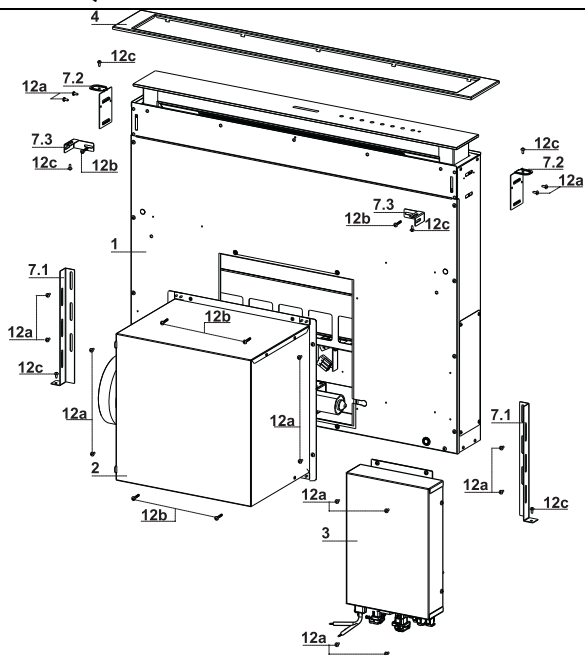
ENTRETIEN

- Avant d'effectuer toute opération de nettoyage et d'entretien, éteindre ou débrancher l'appareil du secteur.
- Nettoyer et/ou remplacer les filtres après le délai indiqué (danger d'incendie).
- Nettoyer les filtres à graisse tous les 2 mois de fonctionnement ou plus souvent en cas d'utilisation particulièrement intense. Ces filtres peuvent être lavés au lave-vaisselle.
- Le filtre à charbon actif ne peut être ni lavé ni régénéré et il doit être remplacé environ tous les 4 mois de fonctionnement ou plus souvent en cas d'utilisation particulièrement intense.
- Nettoyer la hotte avec un chiffon humide et un détergent liquide neutre.



Le symbole  marqué sur le produit ou sur son emballage indique que ce produit ne peut pas être éliminé comme déchet ménager normal. Lorsque ce produit doit être éliminé, veuillez le remettre à un centre de collecte prévu pour le recyclage du matériel électrique et électronique. En vous assurant que cet appareil est éliminé correctement, vous participez à prévenir des conséquences potentiellement négatives pour l'environnement et pour la santé, qui risqueraient de se présenter en cas d'élimination inappropriée. Pour toute information supplémentaire sur le recyclage de ce produit, contactez votre municipalité, votre déchetterie locale ou le magasin où vous avez acheté ce produit.

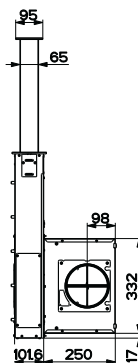
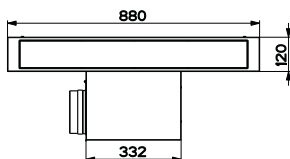
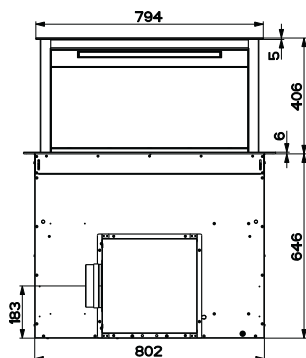
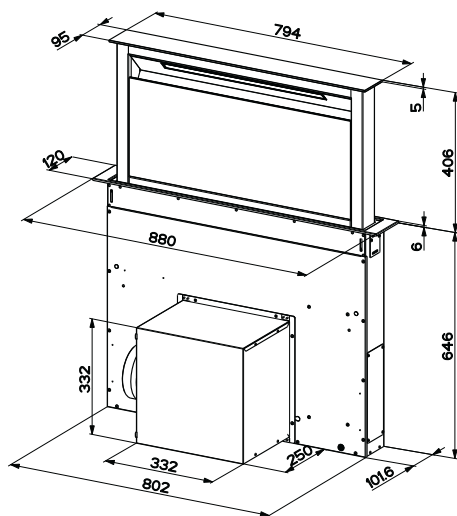
CARACTERISTIQUES



Composants

Réf.	Q.té	Composants du produit
1	1	Corps de hotte équipé de : commandes, éclairage, filtres
2	1	Groupe moteur
3	1	Groupe électrique
4	1	Cadre frontal
Réf.	Q.té	Composants d'installation
7.1	2	Bride de fixation au fond
7.2	2	Bride de fixation au plan
7.3	2	Bride latérale
12a	16	Vis 3,5 x 9,5
12b	6	Vis M4 x 8
12c	6	Vis 4 x 15
Q.té	Documentation	
1	Manuel d'instructions	

Encombrement



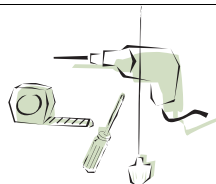
INSTALLATION

Cette hotte est prévue pour être installée à l'intérieur du meuble de cuisine en :

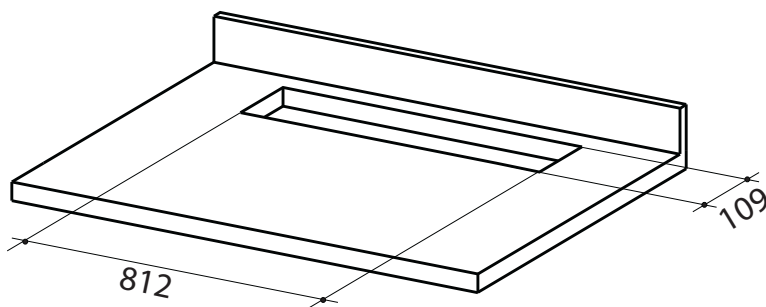
- **Version aspirante :** évacuation à l'extérieur.
- **Version filtrante :** recirculation intérieure.

Séquence des opérations d'installation

- Perçage du plan de support et montage de la hotte
- Connexions
- Contrôle fonctionnel
- Élimination des emballages



Perçage du plan de support

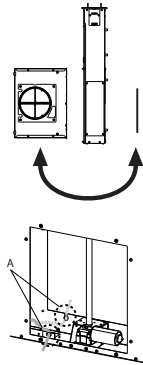
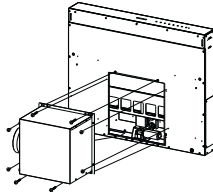


Important

La distance minimale entre l'ouverture de la plaque de cuisson et l'autre pour le capot doit être d'au moins **3-5 cm** par rapport à la résistance du matériau utilisé pour le plan de travail.

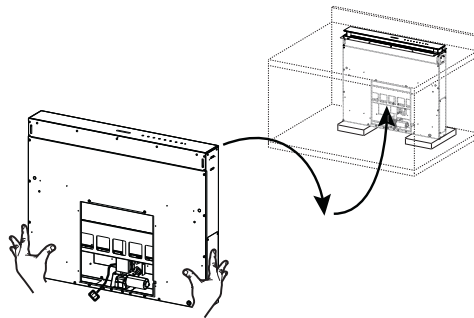
Introduction du corps de hotte dans le plan en passant par le bas

- D'origine, la hotte est prévue pour le montage frontal du groupe moteur.

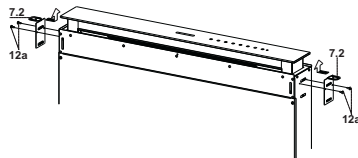


- Si la prédisposition du meuble de cuisine est différente et le groupe moteur doit être monté sur la partie arrière, démonter le bouchon déjà fixé sur le dos du corps de hotte et le remonter frontalement. Remettre aussi en place le câble avec le passe-câble pour la connexion du moteur en utilisant le trou prévu de chaque côté (A). Avant de continuer, fixer le groupe moteur au corps de hotte. (Voir paragraphe Fixation du groupe moteur).

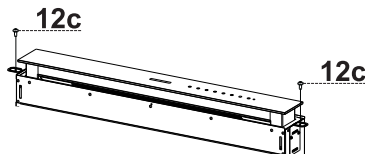
- Enfiler le corps de hotte en passant sous le plan de support précédemment percé.
- À l'aide d'un support, soulever le corps de hotte jusqu'à ce que l'élément frontal sorte du plan.



- Enfiler les brides 7.2, comme indiqué dans la figure, dans les trous prévus et les fixer avec les vis 12a fournies.
- Centrer le corps de hotte par rapport au trou du plan de cuisson.



- À l'aide de 2 vis 12c fournies, fixer le corps de hotte au plan et retirer les supports.

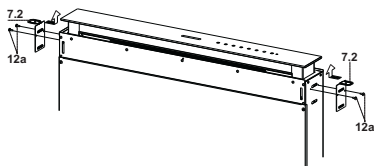


Attention :

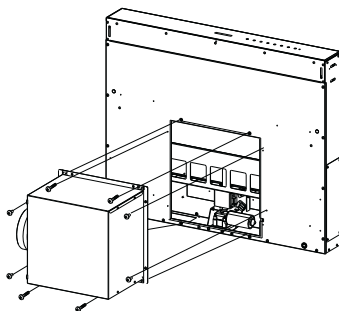
Si le matériel du plan de cuisson ne permet pas de serrer les vis 12c, utiliser une petite quantité de silicone pour coller les brides 7.2 au plan et bien laisser sécher avant de continuer l'installation.

Introduction du corps de hotte dans le plan en passant par le haut

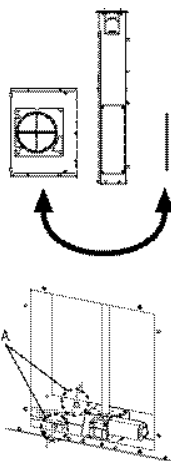
- Enfiler les brides 7.2, comme indiqué dans la figure, dans les trous prévus et les fixer avec les vis 12a fournies.



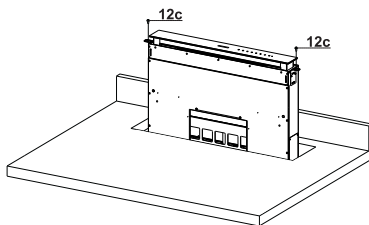
- D'origine, la hotte est prévue pour le montage frontal du groupe moteur.



- Si la prédisposition du meuble de cuisine est différente et le groupe moteur doit être monté sur la partie arrière, démonter le bouchon déjà fixé sur le dos du corps de hotte et le remonter frontalement. Remettre aussi en place le câble avec le passe-câble pour la connexion du moteur, en passant par le trou prévu de chaque côté (A).



- Enfiler le corps de hotte dans le plan de support précédemment percé.
- Centrer le corps de hotte par rapport au trou du plan de cuisson.
- Fixer le corps de hotte avec 2 vis 12c fournies.

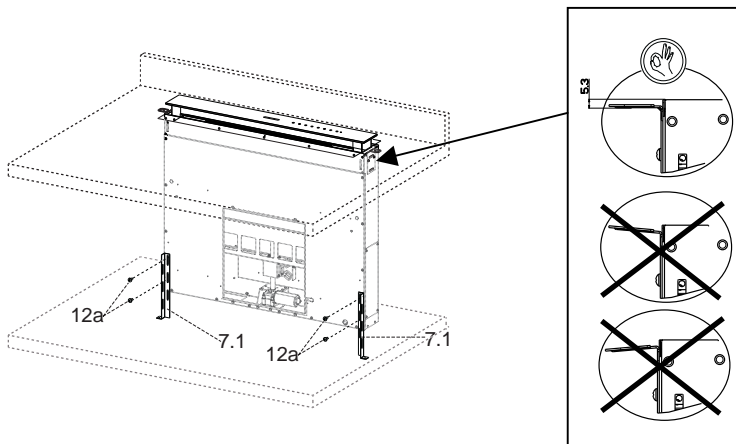


Attention :

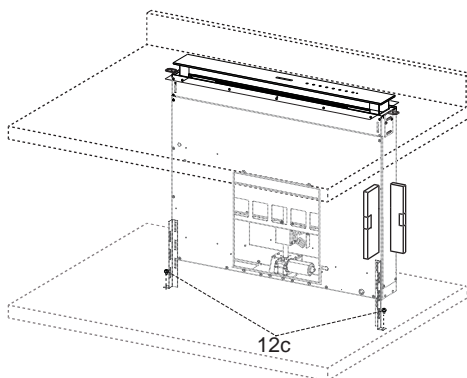
Si le matériel du plan de cuisson ne permet pas de serrer les vis 12c, utiliser une petite quantité de silicone pour coller les brides de support 7.2 au plan et bien laisser sécher avant de continuer l'installation.

Fixation des brides de support inférieures

- Fixer frontalement les brides de support **7.1** au corps de hotte avec les vis **12a** fournies.
- Avant de serrer définitivement les brides de support, effectuer les réglages leur permettant de s'appuyer sur la base inférieure du plan, en évitant la déformation des brides de support supérieures **7.2**, comme indiqué dans la figure.



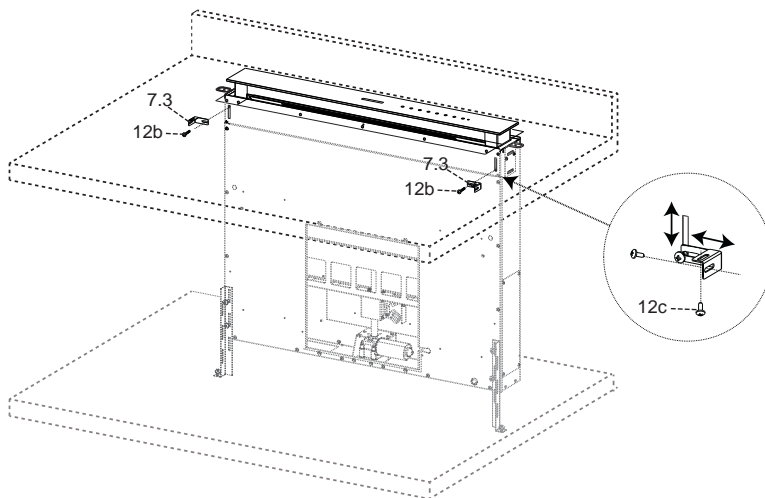
- À l'aide d'un niveau, niveler verticalement le corps de hotte et le fixer au plan inférieur avec 2 vis **12c** fournies.



- Fixer définitivement les vis **12a**.

Fixation des brides en équerre

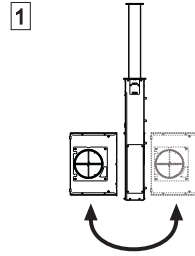
- Visser les brides **7.3** au corps de hotte avec les vis **12b** fournies, sans les serrer.
- Avec les vis **12c** fournies, serrer l'autre côté des brides **7.3**, soit aux parois latérales du meuble, soit à la partie inférieure du plan de cuisson.



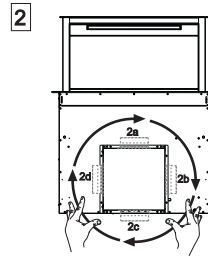
- Fixer définitivement les vis **12c** et **12b**.

Fixation du groupe moteur

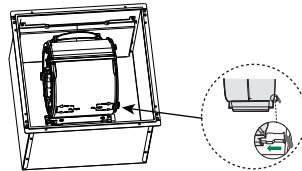
- L'installation du groupe moteur (1) en position frontale ou postérieure doit être décidée selon la prédisposition du meuble de cuisine, en vérifiant que le bouchon est correctement positionné.



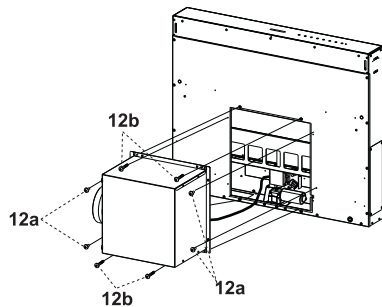
- Ensuite, selon l'endroit où a été réalisé le trou de sortie de l'air sur le meuble, le groupe moteur pourra tourner de 90° à la fois, afin de permettre la sortie de l'air des quatre côtés en correspondance de celui du meuble (2).



- Relier le connecteur venant du corps de hotte à la connexion du groupe moteur.

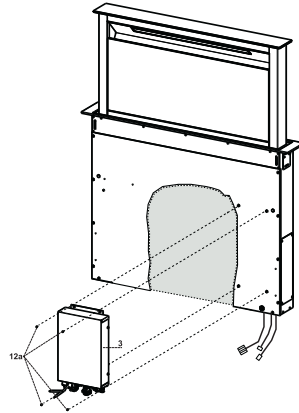


- Serrer ensuite le groupe moteur au corps de hotte avec les vis 12a et 12b fournies, comme indiqué dans la figure.

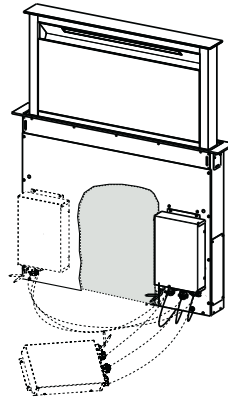


Fixation du groupe électrique

- Relier les câbles électriques sortant de la partie inférieure droite du corps de hotte, aux connecteurs sur le groupe électrique.
- Tous les connecteurs des câbles ont leur correspondant sur le groupe électrique, par conséquent, prenez garde de ne pas vous tromper lors des connexions.



- Fixer le groupe électrique au corps de hotte avec les vis **12a** fournies.
- La position indiquée dans la figure est seulement une option ; si nécessaire, il peut également être monté à gauche du corps de hotte ou même être laissé libre sur la base du meuble, s'il n'y a pas d'empêchements structurels ou de sécurité.



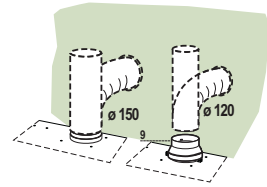
⚠ Attention : ne pas installer le produit en laissant le boîtier électrique au contact du sol.

Branchements

SORTIE AIR VERSION ASPIRANTE

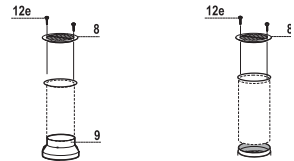
En cas d'installation en version aspirante, brancher la hotte à la tuyauterie de sortie via un tube ri-gide ou flexible de \varnothing 150 ou 120 mm, au choix de l'installateur.

- En cas de branchement avec un tube de \varnothing 120 mm, insérer le flasque de réduction **9** sur la sortie du corps de la hotte.
- Fixer le tube par des colliers appropriés. Le matériau nécessaire n'est pas fourni.
- Retirer les éventuels filtres anti-odeur au charbon actif.



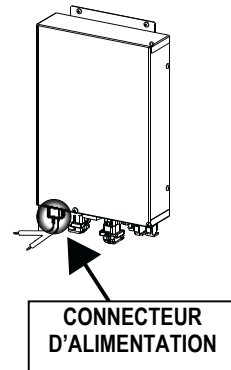
SORTIE AIR VERSION FILTRANTE

- Relier la bride au trou de sortie de l'air avec un tube rigide ou flexible de \varnothing 120 ou 150 mm.
- Pour la liaison avec le tube \varnothing 120 mm, insérer la buse de réduction **9** sur la sortie du corps de hotte.
- Fixer le tube avec des colliers serre-tube adaptés. Le matériel nécessaire n'est pas fourni.
- Fixer la grille orientée **8** sur la sortie à l'aide de 2 vis **12e** (2,9 x 9,5) fournies.
- Vérifier la présence des filtres anti-odeur à charbon actif. (Voir paragraphe Entretien filtres à charbon actif).



BRANCHEMENT ELECTRIQUE

- Brancher la hotte sur le secteur en interposant un interrupteur bipolaire avec ouverture des contacts d'au moins 3 mm.



Montage frontal

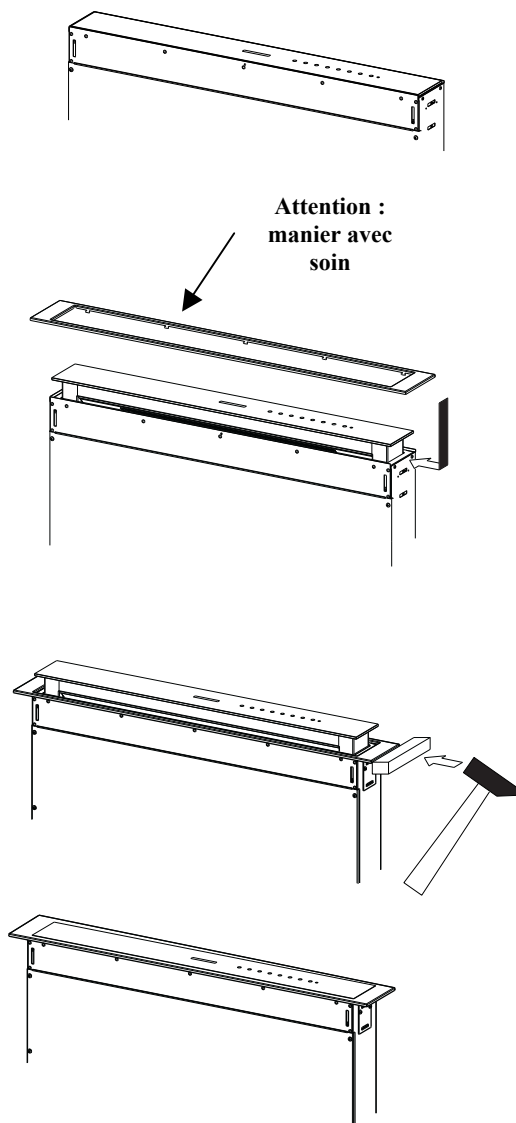
- Soulever le corps mobile de la hotte de quelques centimètres seulement. (Voir paragraphe Utilisation).
- Pour bloquer le mouvement, il suffit de faire pression vers le bas sur le corps mobile qui est en train de se soulever.

Attention : ne jamais bloquer la porte coulissante durant les phases d'ouverture ou de fermeture, sauf pour le montage du cadre.

- Retirer les protections en mousse des coins du verre.
 - Saisir le cadre frontal et l'enfiler par le haut, en veillant à ce que ses languettes s'insèrent dans les trous prévus sur la hotte, puis faire coulisser le cadre vers la gauche.
- Attention :** toutes les languettes doivent être insérées.

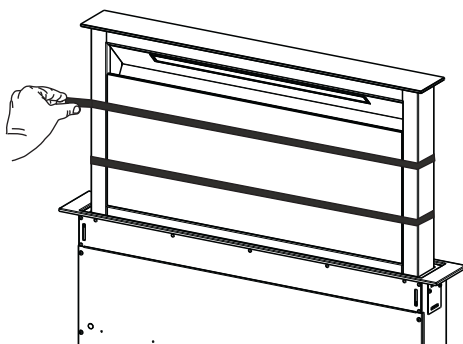
- Taper sur le cadre frontal de droite à gauche à l'aide d'un outil (marteau) jusqu'en butée. Pour ne pas l'abîmer, vous pouvez utiliser un élément (morceau de bois de la bonne dimension) entre le marteau et le cadre frontal.

- Se référer au paragraphe Utilisation pour ramener le corps mobile en position standard.



Panneau aspiration périmétrale

- Ouvrir la porte de la hotte.
(Voir paragraphe Utilisation).
- Retirer les deux bandes de ruban adhésif qui fixent le panneau seulement durant le transport.



UTILISATION

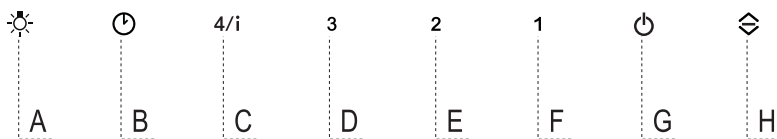


Tableau des commandes

Touche	Fonction	Touche led
A	Fonctionne seulement avec la porte ouverte.	
	Appui bref = Allume/Eteint l' éclairage à l'intensité maximum.	
	Appui de 2 secondes = Allume/Eteint les lumières de courtoisie .	
B	Fonctionne seulement avec la porte ouverte. Appui bref = Branche/Débranche le Delay , l'extinction automatique différée de 30', du moteur et de l'installation d'éclairage à partir de n'importe quelle vitesse. Pour la désactiver, appuyer sur cette même touche, couper le moteur ou fermer la porte.	Touche Led B + touche de la vitesse programmée allumées.
	Fonctionne aussi bien avec la porte fermée qu'ouverte. Appui de 2 secondes = L'alarme filtres étant en cours, effectuer le Reset de l'alarme filtres, tous les voyants sont 3 clignotements. Ces signalisations sont visibles seulement lorsque le moteur est coupé.	Touche led fixe : signale la nécessité de laver les filtres à graisse métalliques. L'alarme entre en fonction après 100 heures de fonctionnement effectif de la hotte. Touche led clignotante : signale la nécessité de remplacer les filtres à charbon actif. Laver également les filtres à graisse métalliques. L'alarme entre en fonction après 200 heures de fonctionnement effectif de la hotte.
C	Fonctionne seulement avec la porte ouverte. Appui bref = Active la quatrième vitesse .	Touche led fixe
	Fonctionne seulement avec la porte ouverte. Appui de 2 secondes = Valide/Invalide la vitesse intensive . Cette vitesse est temporisée à 6 minutes. A la fin de ce délai, le système retourne à la vitesse précédemment réglée. Pour la désactiver, appuyer sur cette même touche, couper le moteur ou fermer la porte.	Touche led clignotante
D	Fonctionne seulement avec la porte ouverte. Active la troisième vitesse .	Touche led fixe
E	Fonctionne seulement avec la porte ouverte. Active/Désactive la deuxième vitesse .	Touche led fixe
	Fonctionne aussi bien avec la porte fermée qu'ouverte avec moteur + éclairage = Off. Appui de 4 secondes = Valide/Invalide le Blocage clavier .	Toutes les touches leds clignotent 2 fois. Durant le blocage, les touches leds s'éclairent en séquence.
	Fonctionne seulement avec la porte ouverte. Appui bref = Active/Désactive la première vitesse .	Touche led fixe
F	Porte ouverte ou fermée Appui de 2 secondes = Valide/Invalide l' alarme filtres à charbon actif avec moteur coupé et sans alarmes filtres en cours.	2 Clignotements touche led B = Alarme filtres C.A. Activée 1 clignotement touche led B = Alarme filtres C.A. Désactivée
	G	Porte ouverte Appui bref = Coupe le moteur
G	Porte ouverte ou fermée Appui de 2 secondes avec moteur et éclairage Off = Valide/Invalide la télécommande	2 clignotements touches leds G + F = Télécommande validée 1 clignotement touches leds G + F = Télécommande invalidée
	H	Porte ouverte = Ferme la porte + Éclairage et Moteur Off Porte fermée = Ouvre la porte + Éclairage et Moteur On. Attention : Si, pour une raison quelconque, la porte est partiellement ouverte, en appuyant sur la touche la porte terminera son cycle d'ouverture ou de fermeture.

TELECOMMANDE (FOURNIE SUR DEMANDE)

Il est possible de commander cet appareil au moyen d'une télécommande, alimentée avec des piles alcalines zinc-charbon 1,5 V du type standard LR03-AAA (non compris).

- Ne pas ranger la télécommande à proximité de sources de chaleur.
- Ne pas jeter les piles; il faut les déposer dans les récipients de récolte spécialement prévus à cet effet.



Tableau des commandes - Télécommande

Attention : Initialement, le récepteur de la télécommande est désactivé, pour l'activer, voir le paragraphe **Utilisation Fonction Touche G**.

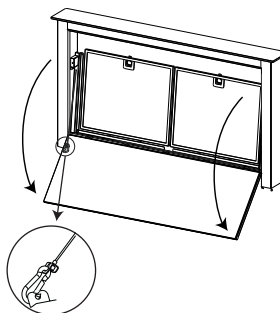


⏻	Moteur	Porte fermée : Ouvre la porte, branche le moteur à la première vitesse et l'éclairage à l'intensité maximum.
		Porte ouverte : Appui bref : On / Off Moteur Appuyée pendant 2 secondes : Ferme la porte et Moteur + Éclairage = Off
-		Seulement avec la porte ouverte : Diminue la vitesse de fonctionnement à chaque appui.
+		Seulement avec la porte ouverte : Augmente la vitesse de fonctionnement à chaque appui.
⌚	Intensive	Seulement avec la porte ouverte : Active la fonction Intensive
⌚	Delay	Seulement avec la porte ouverte : Active la fonction Delay
☀️	Éclairage	Seulement avec la porte ouverte : Appui bref : On / Off Éclairage Appuyée pendant 2 secondes : On / Off Lumières de courtoisie

ENTRETIEN

Nettoyage des Comfort Panels

- Ouvrir le Comfort Panel en le tirant par le haut.
- Décrocher le câble de sécurité en ouvrant le mousqueton.
- Décrocher le panneau du corps de hotte.
- Ne jamais laver le Comfort Panel au lave-vaisselle.
- Le nettoyer à l'extérieur avec un chiffon humide et du détergent liquide neutre.
- Le nettoyer également à l'intérieur avec un chiffon humide et du détergent neutre ; ne pas utiliser de chiffons ou d'éponges mouillées, ni de jets d'eau ; ne pas employer de substances abrasives.
- À la fin de l'opération, raccrocher le panneau et le mousqueton au corps de hotte et le refermer.



Filtres à graisse métalliques

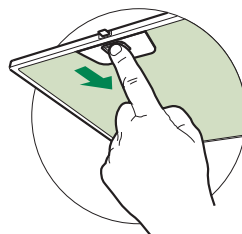
Ils sont lavables même au lave-vaisselle. Ils doivent être lavés lorsque la touche **B** s'allume ou au moins tous les 2 mois d'utilisation environ, ou plus souvent en cas d'utilisation particulièrement intensive.

Reset du signal d'alarme

- Éteindre les lumières et couper le moteur d'aspiration.
- Appuyer sur la touche **B** pendant 2 secondes.

Nettoyage des filtres

- Ouvrir la porte. (Voir paragraphe Utilisation).
- Ouvrir le Comfort Panel en le tirant.
- Retirer les filtres un à un en les poussant vers la partie postérieure du groupe et en tirant en même temps vers le bas.
- Laver les filtres en évitant de les plier et les laisser sécher avant de les remonter. (Un changement de couleur de la surface du filtre, susceptible de se produire avec le temps, ne nuit en rien à son efficacité).
- Les remonter en veillant à ce que la poignée soit orientée vers la partie visible externe.
- Refermer le Comfort Panel.



Filtres anti-odeur à charbon actif (version filtrante)

Également lavable au lave-vaisselle, le nettoyer lorsque la touche **B** clignote ou au moins tous les 4 mois ou plus fréquemment en cas d'utilisation particulièrement intense, en garantissant le fonctionnement jusqu'à un maximum de 5 lavages avant son remplacement. Le signal d'alarme, si préalablement activé, a lieu seulement lorsque le moteur d'aspiration est en marche.

Activation du signal d'alarme

- Dans les hottes en version filtrante, activer le signal d'alarme de saturation filtres au moment de l'installation ou après.
- Éteindre l'éclairage et couper le moteur d'aspiration.
- Appuyer sur la touche **F** pendant 2 secondes :
 - 2 clignotements touche led **B** – Alarme saturation filtre à charbon actif **ACTIVÉE**
 - 1 clignotement touche led **B** – Alarme saturation filtre à charbon actif **DÉSACTIVÉE**

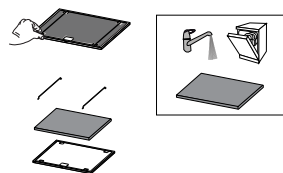
REPLACEMENT DU FILTRE ANTI-ODEUR À CHARBON ACTIF

Reset du signal d'alarme

- Éteindre l'éclairage et couper le moteur d'aspiration.
- Appuyer sur la touche **B** pendant 2 secondes.

Remplacement du filtre

- Retirer le confort panel.
- Retirer les filtres à graisse métalliques.
- Retirer les bloque-filtres métalliques du filtre à graisse et nettoyer le filtre anti-odeur à charbon actif saturé.
- Remonter le filtre anti-odeur à charbon actif propre en le raccrochant au filtre à graisse à l'aide des bloque-filtres métalliques.
- Remonter les filtres à graisse métalliques.
- Refermer le confort panel.



Éclairage

Attention : Cet appareil est doté d'une lumière LED blanche de classe 1M conformément à la norme EN 60825-1: 1994 + A1:2002 + A2:2001 : puissance optique maximum émise à 439nm : 7µW. Ne pas observer directement avec des instruments optiques (jumelles, lentilles grossissantes...)

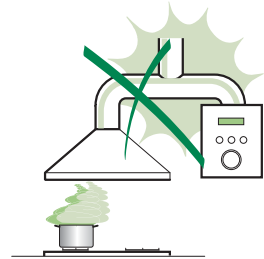
- Pour le remplacement, contacter le Service après-vente.
(« Pour l'achat, s'adresser au service après-vente »).

EMPFEHLUNGEN UND HINWEISE

- △ Diese Gebrauchsanleitungen beziehen sich auf die verschiedenen Modelle der Abzugshaube. Darum kann es möglich sein, dass die Beschreibung bestimmter Merkmale für das vorliegende Gerät nicht zutrifft.

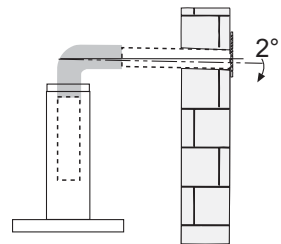
INSTALLATION

- Der Hersteller haftet nicht für etwaige Schäden, die durch die fehlerhafte Installation oder falschen Gebrauch entstehen könnten.
- Der min. Sicherheitsabstand zwischen Kochfeld und Abzugshaube beträgt 650 mm (einige Modelle können auch niedriger installiert werden; siehe Absatz Installation).
- Kontrollieren Sie, ob die Netzspannung den Daten des Typenschilds im Innern der Haube entspricht.
- Für Geräte der Klasse I muss kontrolliert werden, ob das häusliche Versorgungsnetz korrekt geerdet ist.



Die Absaughaube mit Hilfe eines Rohrs mit einem Mindestdurchmesser von 120 mm mit dem Rauchabzug verbinden. Der Verlauf des Rauchabzugs soll so kurz wie möglich sein.

- Die Abzugshaube darf nicht an einen Schacht angeschlossen werden, in den Rauchgase geleitet werden (z. B. von Heizkessel, Kaminen, usw.).
- Falls in dem Raum neben dem Abzug auch nicht mit Strom betriebene Geräte (zum Beispiel Gasgeräte) eingesetzt werden, muss für eine ausreichende Belüftung gesorgt werden, damit der Rückfluss der Abgase verhindert wird. Die Küche muss eine direkte Öffnung nach Außen aufweisen, damit ein ausreichender Luftaustausch gewährleistet wird. Wird die Abzugshaube zusammen mit nicht mit Strom betriebenen Geräte eingesetzt wird, darf der Unterdruck im Raum 0,04 mbar nicht überschreiten, damit die Abgase nicht wieder angesaugt werden.
- Schadhafte Kabel müssen durch den Hersteller oder vom Kundendienst ausgewechselt werden, damit jedes Risiko ausgeschlossen wird.

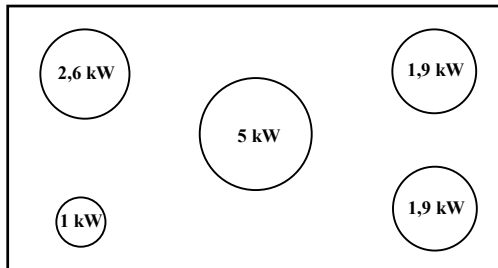


- Falls die Montageanweisungen für die gasbetriebene Kochmulde einen größeren Abstand vorschreiben, als der oben angegebene, muss diese Vorgabe befolgt werden. Es sind sämtliche Abluftvorschriften zu beachten.
- Nur für die Abzugshaube geeignete Schrauben und Kleinteile verwenden.

Achtung: werden die Schrauben und Befestigungselemente nicht entsprechend der vorliegenden Anleitungen verwendet, besteht Stromschlaggefahr.

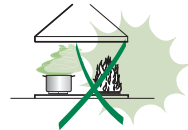
- Die Abzugshaube mittels zweipoligem Schalter mit einer Öffnung der Kontakte von mindestens 3 mm an das Netz anschließen.
- Diese Abzugshaube kann über gasbetriebenen Kochmulden mit den folgenden Merkmalen verwendet werden:

- Max. Leistung 12,4 kW
- 5 Flammen, die wie in der Abbildung gezeigt



GEBRAUCH

- Die Abzugshaube wurde ausschließlich für den häuslichen Gebrauch entwickelt, um Kochdünste zu beseitigen.
- Die Haube darf nur für die ihr zgedachten Zwecke benutzt werden.
- Unter der eingeschalteten Haube keine offenen Flammen benutzen.
- Die Flamme so regulieren, dass sie nicht über den Boden des Kochgeschirrs hinausreicht.
- Fritteusen müssen während des Gebrauchs ständig überwacht werden: überhitztes Öl könnte sich entzünden.
- Auf keinen Fall unter der Haube flambieren: Brandgefahr.
- Kinder ab 8 Jahren und Personen mit eingeschränkten physischen, sensorischen oder psychischen Fähigkeiten, oder mit mangelnden Erfahrungen oder Kenntnissen dürfen nicht mit dem Gerät umgehen, es sei denn, sie werden von einer für ihre Sicherheit verantwortlichen Person beaufsichtigt oder angeleitet. Sicherstellen, dass Kinder nicht mit dem Gerät herumspielen können. Reinigungs- und Wartungsarbeiten dürfen nicht von unbeaufsichtigten Kindern durchgeführt werden.




- **ACHTUNG:** Die zugänglichen Teile können während des Gebrauchs der Kochgeräte sehr heiß werden.

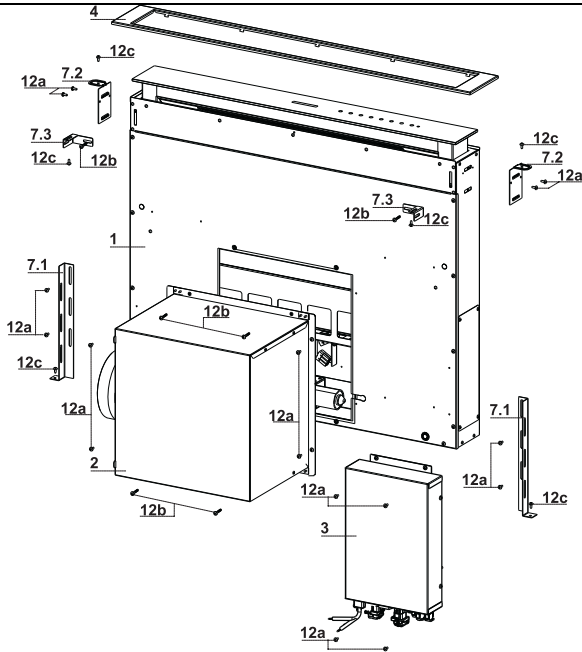
WARTUNG

- Vor Reinigungs- oder Wartungsarbeiten am Gerät muss dieses ausgeschaltet und spannungslos gemacht werden.
- Die Filter stets nach den angegebenen Intervallen reinigen oder auswechseln (Brandgefahr).
- Die Fettfilter sind alle 2 Monate oder bei intensiver Nutzung öfter zu reinigen und können in der Spülmaschine gewaschen werden.
- Der Aktivkohlefilter ist weder waschbar, noch regenerierbar und muss bei normalem Betrieb zirka alle 4 Monate oder auch öfter ausgewechselt werden, je nach Intensität des Gebrauchs.
- Die Haube mit einem feuchten Lappen und einem neutralen Reinigungsmittel abwischen.



Das Symbol  am Produkt oder auf der Verpackung weist darauf hin, dass das Gerät nicht als normaler Hausmüll entsorgt werden darf. Das ausrangierte Gerät muss vielmehr bei einer speziellen Sammelstelle für elektrische und elektronische Geräte abgegeben werden. Mit der vorschriftsmäßigen Entsorgung des Gerätes trägt der Benutzer dazu bei, schädliche Auswirkungen auf Umwelt und Gesundheit zu vermeiden. Weitere Informationen zum Recycling dieses Produktes können bei der zuständigen Behörde, der örtlichen Abfallbeseitigung oder bei dem Händler, der das Gerät verkauft hat, eingeholt werden.

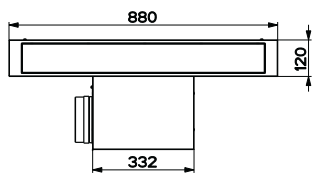
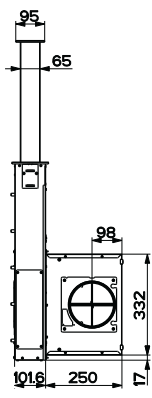
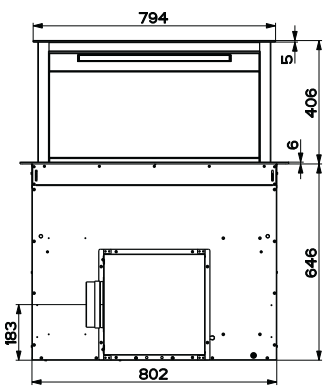
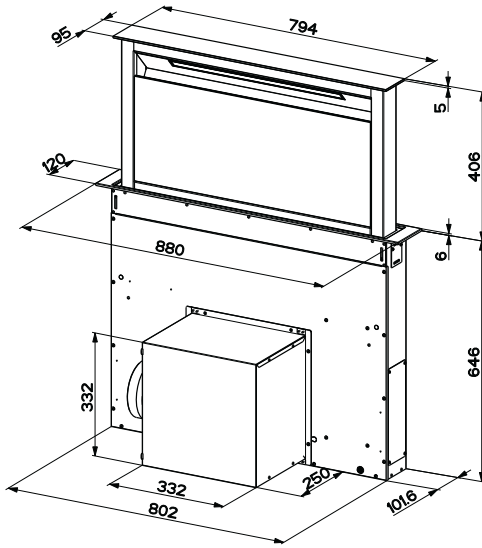
CHARAKTERISTIKEN



Komponenten

Bez. Menge Produktkomponenten	
1	1 Haubenkörper, komplett mit: Bedienelemente, Beleuchtung, Filter
2	1 Motorgruppe
3	1 Elektrik
4	1 Frontrahmen
Bez. Menge Installationskomponenten	
7.1	2 Bügel für die Befestigung am Boden
7.2	2 Bügel für die Befestigung am Kochfeld
7.3	2 Seitlicher Bügel
12a	16 Schrauben 3,5 x 9,5
12b	6 Schrauben M4 x 8
12c	6 Schrauben 4 x 15
Menge Dokumentation	
1	1 Betriebsanleitung

Platzbedarf



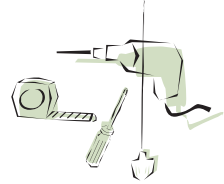
MONTAGE

Diese Abzugshaube kann in Küchenmöbel eingebaut werden als:

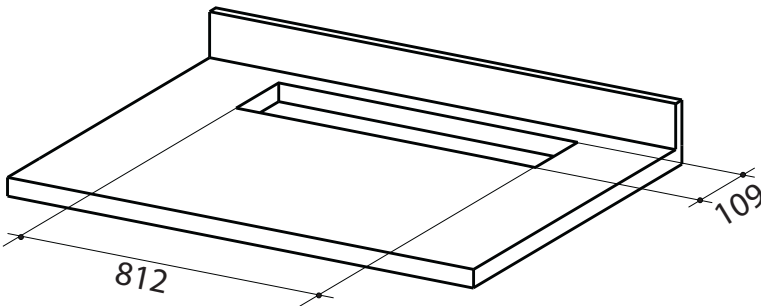
- **Abluftversion:** Abluftleitung nach Außen.
- **Umluftversion:** Innere Rezirkulation.

Sequenz der Installationsarbeiten

- **Bohrung der Kochfläche und Montage der Haube**
- **Anschlüsse**
- **Funktionskontrolle**
- **Entsorgung des Verpackungsmaterials**



Bohrung der Auflagefläche

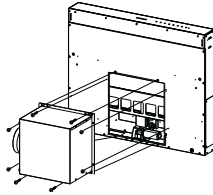


Wichtig

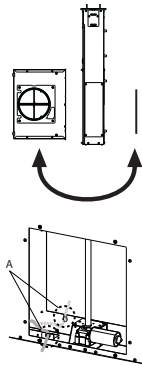
Der minimale Abstand zwischen dem Loch für das Kochfeld und dem für die Saugereinheit gebohrt mindestens **3-5 cm** abhängig von dem Widerstand des Materials für die oberste verwendet wird.

Einsetzen des Haubenkörpers in die Arbeitsplattenmaterial von unten

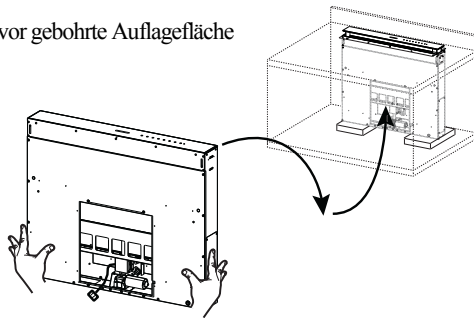
- Die Haube ist werkseitig für die frontale Montage der Motoreinheit vorbereitet.



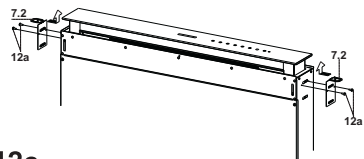
- Falls das Küchenmöbel anders vorbereitet ist, muss die Motoreinheit an der Rückseite montiert werden; dazu wird der an der Rückseite des Haubenkörpers angebrachte Deckel ausgebaut und an der Frontseite montiert. Ebenso das Kabel mit Lipplampe für den Anschluss des Motors neu positionieren, wobei die Öse (A) verwendet wird, die an beiden Seiten vorbereitet ist. Vor dem Fortfahren die Motoreinheit am Haubenkörper befestigen (Siehe Absatz Befestigung der Motoreinheit).



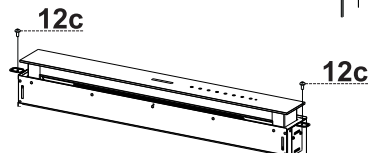
- Den Haubenkörper von unten in die zuvor gebohrte Auflagefläche schieben.
- Mit Hilfe einer Halterung den Haubenkörper anheben, bis die Frontseite aus der Kochfläche hervorragt.



- Die Bügel 7.2 wie abgebildet in die speziellen Ösen einsetzen und mit den mitgelieferten Schrauben 12a befestigen.
- Den Haubenkörper mit der Öse der Kochfläche zentrieren.



- Den Haubenkörper mit den beiden mitgelieferten Schrauben 12c an der Kochfläche befestigen und die Halterungen entfernen.

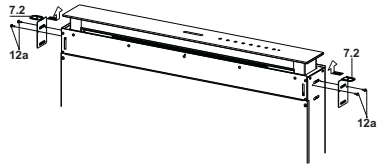


Achtung:

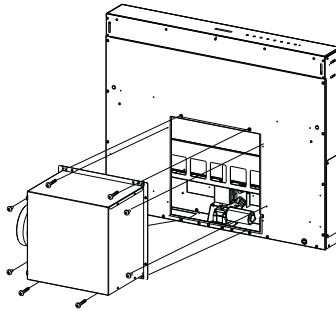
Falls das Material der Kochfläche es nicht erlaubt, die Schrauben 12c einzuschrauben, werden die Bügel 7.2 mit etwas Silikon an der Kochfläche festgeklebt, wobei das Silikon gut trocknen muss, bevor mit der Installation fortgefahren wird.

Einsetzen des Haubenkörpers in die Kochfläche von oben

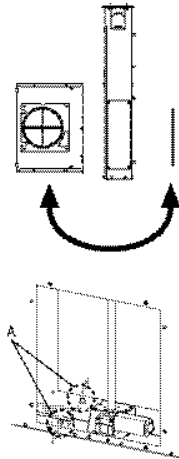
- Die Bügel 7.2 wie abgebildet in die speziellen Ösen einsetzen und mit den mitgelieferten Schrauben 12a befestigen.



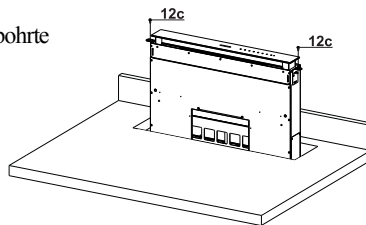
- Die Haube ist werkseitig für die frontale Montage der Motoreinheit vorbereitet.



- Falls das Küchenmöbel anders vorbereitet ist, muss die Motoreinheit an der Rückseite montiert werden; dazu wird der an der Rückseite des Haubenkörpers angebrachte Deckel ausgebaut und an der Frontseite montiert. Ebenso das Kabel mit Lipplampe für den Anschluss des Motors neu positionieren, wobei die Öse (A) verwendet wird, die an beiden Seiten vorbereitet ist.



- Den Haubenkörper in die zuvor gebohrte Kochfläche schieben.
- Den Haubenkörper mit der Öse der Kochfläche zentrieren.
- Den Haubenkörper mit den beiden mitgelieferten Schrauben 12c befestigen.

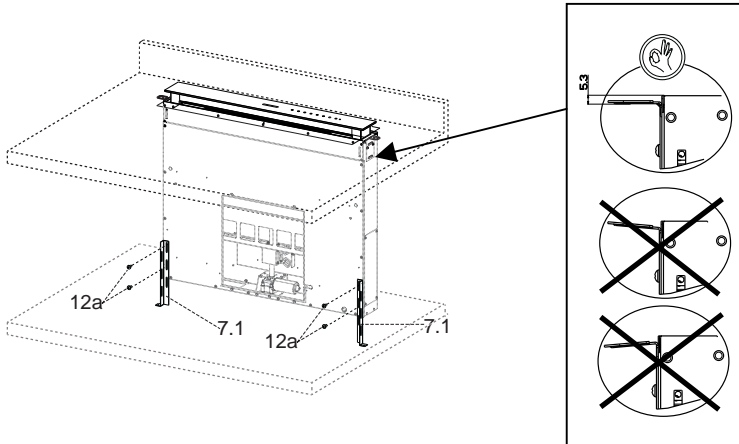


Achtung:

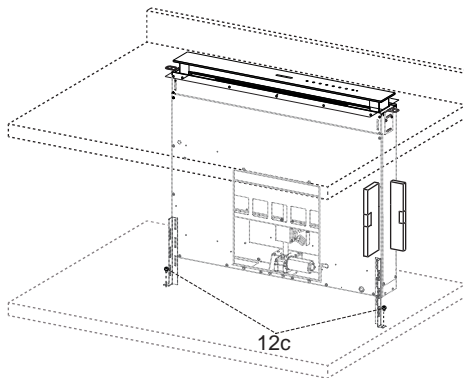
Falls das Material der Kochfläche es nicht erlaubt, die Schrauben 12c einzuschrauben, werden die Bügel 7.2 mit etwas Silikon an der Kochfläche festgeklebt, wobei das Silikon gut trocknen muss, bevor mit der Installation fortgefahren wird.

Befestigung der unteren Bügel

- Die Bügel 7.1 mit den mitgelieferten Schrauben 12a am Haubenkörper befestigen.
- Vor dem definitiven Festziehen der Bügel diese so regulieren, dass sie an der unteren Basis der Kochfläche aufliegen, und die oberen Bügel 7.2 nicht deformiert werden, wie in der Abbildung gezeigt.



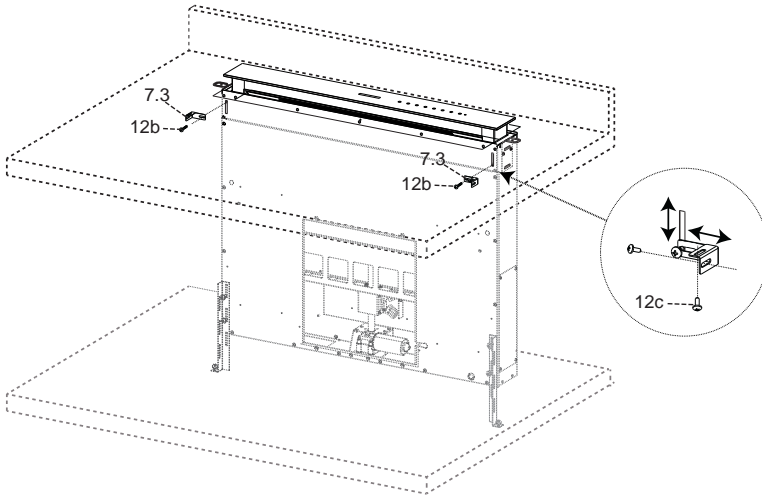
- Mit einer Wasserwaage den Haubenkörper vertikal ausrichten und mit den mitgelieferten beiden Schrauben 12c an der unteren Kochfläche befestigen.



- Die Schrauben 12a definitiv festziehen.

Befestigung der Winkelbügel

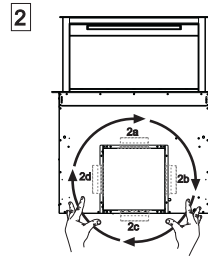
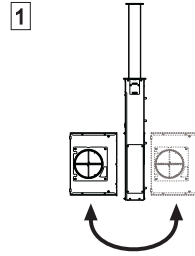
- Die Bügel **7.3** mit den mitgelieferten Schrauben **12b** am Haubenkörper befestigen, ohne festzuziehen.
- Den anderen Teil der Bügel **7.3** mit den mitgelieferten Schrauben **12c** entweder an den Seitenwänden des Möbels, oder an der Unterseite der Kochfläche befestigen.



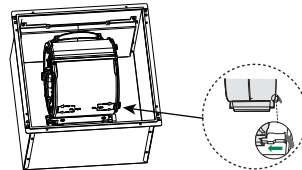
- Die Schrauben **12c** und **12b** definitiv festschrauben.

Montage der Motoreinheit

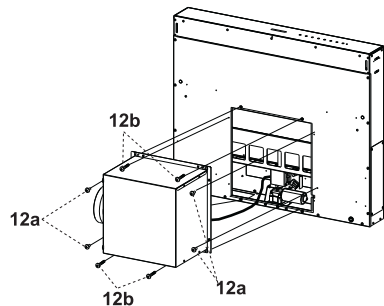
- Je nach Vorbereitung des Küchenmöbels kann die Motoreinheit (1) an der Front- oder der Rückseite montiert werden, wobei die korrekte Position des Deckels zu kontrollieren ist.
- Danach kann die Motoreinheit entsprechend der Position der Abluftöffnung am Möbel um jeweils 90° gedreht werden, so dass der Luftauslass an allen 4 Seiten auf Höhe der Öffnung am Möbel (2) ermöglicht wird.



- Den aus dem Haubenkörper austretenden Verbinder mit dem Anschluss der Motoreinheit verbinden.

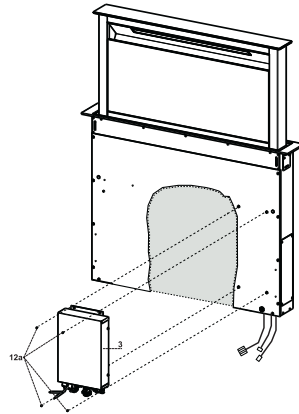


- Danach die Motoreinheit mit den mitgelieferten Schrauben 12a und 12b wie abgebildet am Haubenkörper anschrauben.

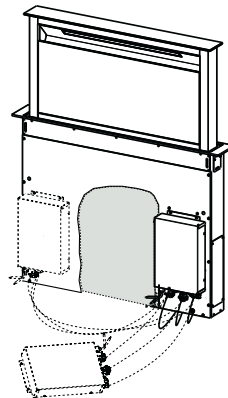


Montage der Elektrik

- Die rechts unten aus dem Haubenkörper austretenden Stromkabel an die Verbinder an der Elektrik anschließen.
- Für jeden Verbinder der Kabel befindet sich an der Elektrik ein entsprechendes Gegenstück, folglich darauf achten, dass nicht falsch angeschlossen wird.



- Die Elektrik mit den mitgelieferten Schrauben **12a** am Haubenkörper befestigen.
- Die abgebildete Position ist lediglich ein Vorschlag, weil die Elektrik bei Bedarf auch links am Haubenkörper montiert oder sogar frei an der Basis des Möbels belassen werden kann, sofern keine strukturellen Hindernisse oder Sicherheitsbedenken vorliegen.

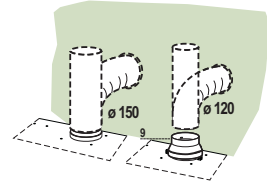


⚠ Achtung: Bei der Installation darf die Abzweigdose nicht in Kontakt mit dem Fußboden bleiben.

Anschluss im Abluftbetrieb

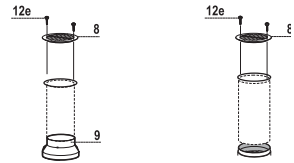
Bei Abluftbetrieb kann die Haube vom Installateur wahlweise mittels Rohr oder Schlauch (\varnothing 150 oder 120 mm) an die Außenrohrleitung angeschlossen werden.

- Bei Verwendung eines Anschlussrohres \varnothing 120 den Reduzierflansch **9** am Haubenaustritt anbringen.
- Das Rohr mit geeigneten Rohrschellen fixieren. Das hierzu erforderliche Material wird nicht mitgeliefert.
- Eventuell vorhandene Aktivkohlefilter entnehmen.



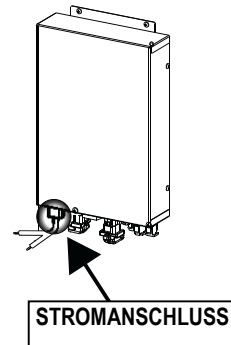
LUFTAUSTRITT BEI DER UMLUFTVERSION

- Den Flansch mit einem starren oder flexiblen Rohr mit \varnothing 120 oder 150 mm an die Abzugsöffnung anschließen.
- Für den Anschluss mit einem Rohr mit \varnothing 120 den Reduzierflansch **9** am Auslass am Haubenkörper einsetzen.
- Das Rohr mit geeigneten Rohrschellen fixieren. Das hierzu erforderliche Material wird nicht mitgeliefert.
- Das Luftstromrichtungsgitter **8** mit den 2 mitgelieferten Schrauben **12e** (2,9 x 9,5) am Auslass befestigen.
- Sicherstellen, dass die Aktivkohle-Geruchsfilter vorhanden sind (Siehe Absatz Wartung der Aktivkohlefilter).



ELEKTROANSCHLUSS

- Bei Anschluss der Haube an das Stromnetz muss ein zweipoliger Schalter mit einem Öffnungsweg von mindestens 3 mm zwischengeschaltet werden.



Frontale Montage

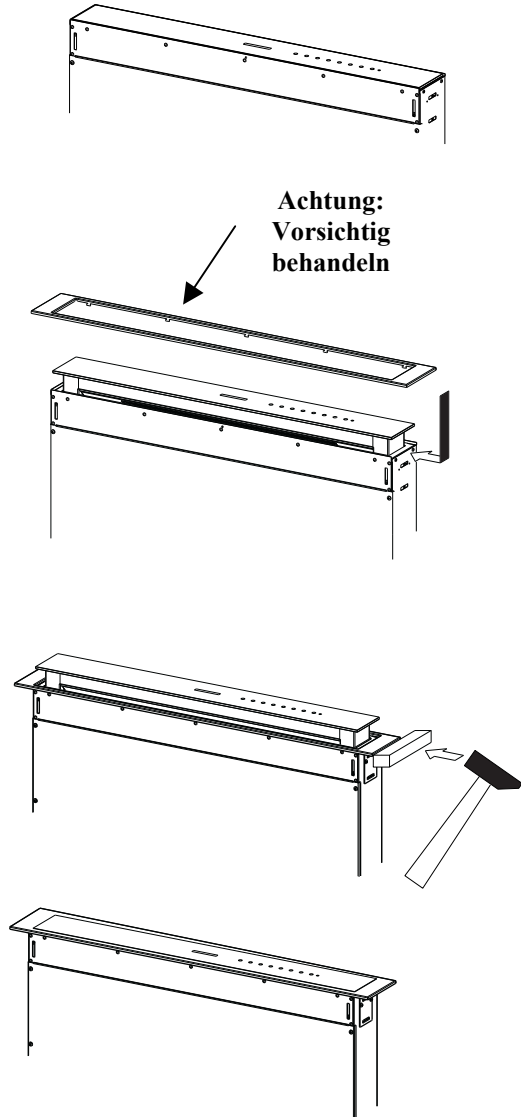
- Den beweglichen Haubenkörper um wenige Zentimeter anheben (Siehe Absatz Gebrauch).
- Um die Bewegung zu blockieren, einfach auf den beweglichen Haubenkörper einen Druck nach unten ausüben.

Achtung: Die verschiebbare Klappe nie während der Phase des Öffnens oder Schließens blockieren, außer wenn der Rahmen montiert werden soll.

- Die Schutzecken aus Schaumstoff von der Glasscheibe nehmen.
- Den Frontrahmen zur Hand nehmen, von oben so einschieben, dass seine Laschen in die Ösen an der Haube passen und nach links gleiten lassen.
Achtung: Alle Laschen müssen eingeschoben sein.

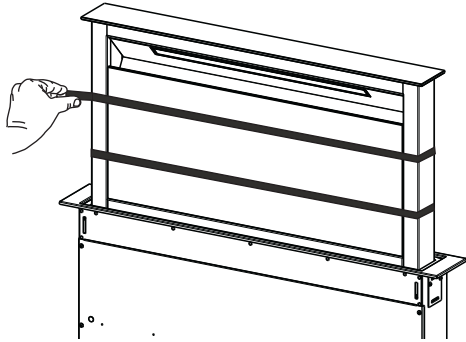
- Mit einem Werkzeug (Hammer) von rechts nach links auf den Frontrahmen klopfen, bis er sich am Anschlag befindet. Um Beschädigungen zu vermeiden, kann ein passendes Stück Holz zwischen Hammer und Frontrahmen eingelegt werden.

- Um den beweglichen Haubenkörper wieder auf die standardmäßige Position zu bringen, den Absatz Gebrauch konsultieren.

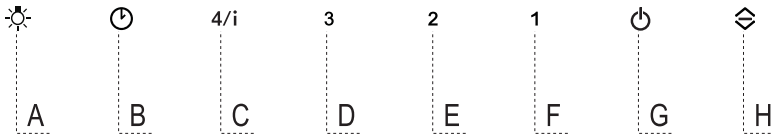


Umlaufendes Saugpaneel

- Die Klappe öffnen (siehe Absatz Gebrauch).
- Die beiden Klebestreifen entfernen, welche das Paneel während des Transports fixieren.



BEDIENUNG



Schalttafel

Taste	Funktion	LED Taste
A	Die Taste funktioniert nur bei geöffneter Klappe.	
	Kurzes Drücken: schaltet die Beleuchtung bei maximaler Intensität ein/aus.	
	2 Sekunden langes Drücken: schaltet die Nothbeleuchtung ein/aus.	
B	Funktioniert nur bei geöffneter Klappe. Kurzes Drücken: aktiviert/deaktiviert die Funktion Delay , das automatische Abschalten von Motor und Beleuchtung mit einer Verzögerung von 30, von jeder Geschwindigkeitsstufe aus. Wird durch Drücken derselben Taste, Abstellen des Motors oder Schließen der Klappe deaktiviert.	Eingeschaltet LED Taste B + Taste der eingestellten Geschwindigkeitsstufe.
	Funktioniert bei geschlossener und geöffneter Klappe. 2 Sekunden langes Drücken: Bei vorliegendem Filteralarm erfolgt ein Reset des Filteralarms, alle LEDs 3 blinkt. Derlei Anzeigen sind nur bei abgestelltem Motorsichtbar.	LED Taste bleibend eingeschaltet: Zeigt an, dass die Metallfilter gewaschen werden müssen. Dieser Alarm wird nach 100 effektiven Betriebsstunden der Abzugshaube ausgelöst. LED Taste blinkt: Zeigt an, dass die Aktivkohlefilter ausgewechselt und die Metallfilter gewaschen werden müssen. Dieser Alarm wird nach 200 effektiven Betriebsstunden der Abzugshaube ausgelöst.
C	Funktioniert nur bei geöffneter Klappe. Kurzes Drücken: Schaltet die vierte Betriebsgeschwindigkeit ein.	LED Taste bleibend eingeschaltet
	Funktioniert nur bei geöffneter Klappe. 2 Sekunden langes Drücken: Aktiviert/deaktiviert die Intensivgeschwindigkeit . Diese Geschwindigkeit ist auf 6 Minuten zeitregelt. Nach Ablauf dieser Zeit kehrt das System zu der zuvor eingestellten Geschwindigkeit zurück. Wird durch Drücken derselben Taste, Abstellen des Motors oder Schließen der Klappe deaktiviert.	LED Taste blinkt
D	Funktioniert nur bei geöffneter Klappe. Schaltet die dritte Betriebsgeschwindigkeit ein.	LED Taste bleibend eingeschaltet
E	Funktioniert nur bei geöffneter Klappe Schaltet die zweite Betriebsgeschwindigkeit ein.	LED Taste bleibend eingeschaltet
	Funktioniert bei geschlossener und geöffneter Klappe bei Motor + Beleuchtung = Off. 4 Sekunden langes Drücken: Aktiviert/deaktiviert die Tastatursperre .	Alle Tasten blinken 2 Mal. Während der Tastatursperre schalten sich die LED Tasten sequentiell ein.
F	Funktioniert nur bei geöffneter Klappe. Kurzes Drücken: Schaltet die erste Betriebsgeschwindigkeit ein.	LED Taste bleibend eingeschaltet
	Klappe geöffnet oder geschlossen 2 Sekunden langes Drücken: Aktiviert/deaktiviert den Alarm der Aktivkohlefilter bei abgestelltem Motor und ohne vorliegende Filteralarne.	2 Mal Blinken LED Taste B : Alarm der Aktivkohlefilter aktiviert 1 Mal Blinken LED Taste B : Alarm der Aktivkohlefilter deaktiviert
G	Klappe öffnen: Kurzes Drücken: Abstellen des Motors	Ausschalten der LED Taste
	Klappe geöffnet oder geschlossen 2 Sekunden langes Drücken bei Motor und Beleuchtung Off: Aktiviert/deaktiviert die Fernbedienung .	2 Mal Blinken der LED Tasten G+F: Fernbedienung aktiviert 1 Mal Blinken der LED Tasten G+F: Fernbedienung deaktiviert
H	Klappe geöffnet: Schließt Klappe + Beleuchtung und Motor Off Klappe geschlossen: Öffnet Klappe + Beleuchtung und Motor On Achtung: Falls die Klappe aus irgendeinem Grund teilweise offen ist, wird bei Drücken der Zyklus für Öffnen oder Schließen beendet.	

FERNBEDIENUNG (OPTION)

Dieses Gerät kann mit einer Fernbedienung gesteuert werden, welche mit alkalischen Zink-Kohle-Batterien 1,5 V des Standardtyps LR03-AAA versorgt wird (nicht im Lieferumfang enthalten).

- Die Fernbedienung nicht in die Nähe von Hitzequellen legen.
- Batterien müssen vorschriftsmäßig entsorgt werden.



Bedienfeld der Fernbedienung

Achtung: Das Empfangsteil der Fernbedienung ist anfangs deaktiviert. Für die Aktivierung siehe Absatz **Gebrauch** Funktion Taste **G**.

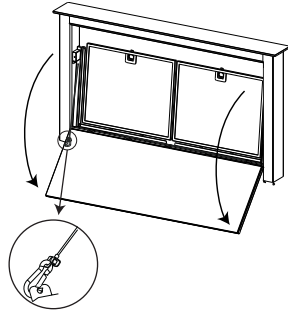


⏻	Motor	Klappe geschlossen: Öffnet die Klappe und schaltet den Motor bei der ersten Geschwindigkeitsstufe und stärkster Beleuchtung ein.
		Klappe offen: Kurzes Drücken: On / Off Motor 2 Sekunden langes Drücken: Schließt die Klappe und Motor + Beleuchtung = Off
-		Nur bei geöffneter Klappe: Verringert bei jedem Drücken die Betriebsgeschwindigkeit.
+		Nur bei geöffneter Klappe: Erhöht bei jedem Drücken die Betriebsgeschwindigkeit.
ⓘ	Intensiv eschwind igkeit	Nur bei geöffneter Klappe: Aktiviert die Intensivgeschwindigkeit.
⌚	Delay	Nur bei geöffneter Klappe: Aktiviert die Funktion Delay.
☀	Beleucht ung	Nur bei geöffneter Klappe: Kurzes Drücken: On / Off Beleuchtung 2 Sekunden langes Drücken: On / Off Notbeleuchtung

WARTUNG

Reinigung der Komfort-Paneele

- Die Oberseite des Komfort-Paneels nach oben herausziehen.
- Den Karabinerhaken öffnen und das Sicherheitsseil lösen.
- Das Paneel vom Haubenkörper lösen.
- Das Komfort-Paneel darf auf keinen Fall im Geschirrspüler gespült werden.
- Die Außenflächen mit einem feuchten Lappen und einem neutralen Flüssigreiniger säubern.
- Auch Innen mit einem feuchten Lappen und einem neutralen Reinigungsmittel säubern; keine nassen Tücher oder Schwämme, oder gar Wasser verwenden, und keine schleifenden Mittel einsetzen.
- Zuletzt das Paneel und den Karabinerhaken wieder am Haubenkörper einhängen und schließen.



Metallfettfilter

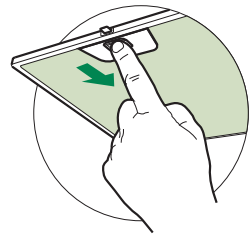
Die Fettfilter sind spülmaschineneeignet und müssen gewaschen werden, sobald sich die Taste **B** einschaltet, oder mindestens alle 2 Monate, oder auch öfter, je nach Intensität des Gebrauchs.

Reset des Alarmsignals

- Die Beleuchtung und den Absaugmotor abstellen.
- Die Taste **B** 2 Sekunden lang drücken.

Reinigung der Filter

- Die Klappe öffnen (siehe Gebrauch).
- Das Komfort-Paneel herausziehen.
- Die Filter einzeln ausbauen, indem sie in den hinteren Teil der Gruppe geschoben und gleichzeitig nach unten gezogen werden.
- Die Filter waschen, ohne sie zu verbiegen, und vor dem erneuten Einbau trocknen lassen. (Die Farbe der Filteroberfläche kann sich mit der Zeit verändern, was aber die Wirksamkeit keinesfalls beeinträchtigt.)
- Nun die Filter wieder einbauen, so dass der Griff nach der äußeren Sichtseite zeigt.
- Das Komfort-Paneel wieder schließen.



Aktivkohle-Geruchsfilter (Umluftversion)

Die Aktivkohle-Geruchsfilter sind spülmaschineneignet und müssen gewaschen werden, sobald am Display die Taste **B** blinkt, oder mindestens alle 4 Monate, oder auch öfter, je nach Intensität des Gebrauchs. Nach max. 5 Wäschen müssen die Filter erneuert werden. Die Alarmmeldung, wenn zuvor aktiviert, erfolgt nur, wenn der Absaugmotor zugeschaltet ist.

Aktivierung des Alarmsignals

- Bei den Umluftversionen der Abzugshauben wird die Alarmanzeige für Filtersättigung im Augenblick der Installation oder in der Folge aktiviert.
- Die Beleuchtung und den Absaugmotor abstellen.
- Die Taste **F** 2 Sekunden lang drücken.
- Zweimaliges Blinken der LED **B** - Sättigungsalarm Aktivkohlefilter AKTIVIERT
- Einmaliges Blinken der LED **B** - Sättigungsalarm Aktivkohlefilter DEAKTIVIERT.

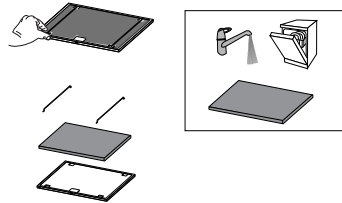
AUSWECHSELN DES AKTIVKOHLE-GERUCHSFILTERS

Reset des Alarmsignals

- Die Beleuchtung und den Absaugmotor abstellen.
- Die Taste **B** 2 Sekunden lang drücken.

Auswechseln des Filters

- Das Komfort-Panel ausbauen.
- Die Fettfilter aus Metall entfernen.
- Die Filterhalter aus Metall vom Fettfilter nehmen und den gesättigten Aktivkohle-Geruchsfilter reinigen.
- Den sauberen Aktivkohle-Geruchsfilter wieder einbauen, indem er zusammen mit den Filterhaltern aus Metall am Fettfilter eingehängt wird.
- Die Fettfilter aus Metall wieder einbauen.
- Das Komfort-Panel wieder schließen.



Beleuchtung

LED-Strahler

- Für den Austausch der LED-Strahler wenden Sie sich bitte an den Kundendienst.

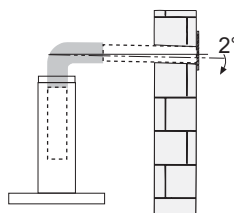
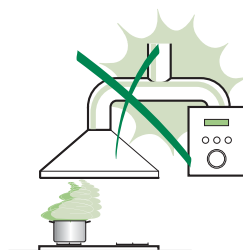
Achtung: Dieses Gerät ist mit einer weißen LED-Lampe der Klasse 1M gemäß EN 60825-1 ausgestattet: 1994 + A1:2002 + A2:2001; max. gelieferte Lichtleistung @439nm: 7µW. Nicht direkt mit optischen Instrumenten (Fernglas, Lupe, usw.) in das Licht schauen.

CONSEJOS Y SUGERENCIAS

- △ Las instrucciones de uso se aplican a varios modelos de este aparato. Por lo tanto, usted puede encontrar descripciones de características individuales que no pertenecen a su aparato en concreto.

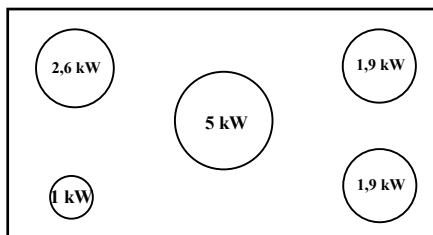
INSTALACIÓN

- El fabricante no se hace responsable de los daños provocados por una instalación o uso indebido.
- La distancia mínima de seguridad entre el plano de cocción y la campana extractora es de 650 mm (algunos modelos pueden ser instalados a una altura inferior; véase el párrafo relativo a las dimensiones de trabajo y la instalación).
- Compruebe que la tensión de alimentación corresponda a la indicada en la placa de datos colocada en el interior de la campana.
- Para los aparatos de Clase I, compruebe que la red eléctrica doméstica tenga una conexión a tierra adecuada. Conecte la campana extractora al conducto de humo a través de un tubo con un diámetro mínimo de 120 mm. La trayectoria del humo debe ser lo más corta posible.
- No conecte la campana extractora a los conductos de humo que transportan humo de combustión (ej. calderas, chimeneas, etc.).
- Si la campana extractora se utiliza en combinación con aparatos no eléctricos (por ejemplo, aparatos de gas), debe garantizarse un grado suficiente de ventilación en el recinto para evitar el retorno del flujo de los gases de escape. La cocina debe tener una abertura comunicante directamente con el exterior para asegurar la entrada de aire fresco. Cuando se utiliza la campana para cocina en combinación con aparatos no alimentados por corriente eléctrica, la presión negativa en el recinto no debe superar los 0,04 mbar para evitar que el humo sea reaspirado en el recinto por la campana.
- En caso de daños en el cable de alimentación, éste debe ser sustituido por el fabricante o el departamento de servicio para evitar cualquier riesgo.



- Si las instrucciones de instalación del plano de cocción de gas especifican una distancia mayor de la indicada anteriormente, es necesario tenerlo en cuenta. Se tienen que respetar todas las normativas con respecto a la descarga del aire.
- Utilizar sólo los tornillos y accesorios metálicos de un tipo adecuado para la campana. **Advertencia:** No instalar tornillos o sujetadores de acuerdo con estas instrucciones puede provocar descargas eléctricas.
- Conectar la campana a la alimentación de red interponiendo un interruptor bipolar con distancia entre los contactos de por lo menos 3 mm.
- Esta campana de aspiración se puede utilizar en combinación con un plano de cocción de gas con las siguientes características:

- Potencia máxima 12,4 kW
- 5 quemadores como se muestra en la figura



USO

- La campana extractora está diseñada exclusivamente para uso doméstico, para eliminar los olores de la cocina.
- Nunca utilice la campana para fines distintos de aquellos para los que fue diseñada.
- No deje nunca llamas altas bajo la campana cuando está en funcionamiento.
- Ajuste la intensidad de la llama para dirigirla sólo a la parte inferior del recipiente de cocción, asegurándose de que no llegue a los lados.
- Las freidoras deben ser controladas continuamente durante su uso: el aceite recalentado puede incendiarse.
- No realice flambeados bajo la campana: se podría producir un incendio.
- Este aparato puede ser usado por niños de edad no inferior a 8 años y por personas con reducidas capacidades psicológicas, físicas y sensoriales o con experiencia o conocimiento inadecuados, siempre que estén cuidadosamente supervisados e instruidos sobre cómo utilizar de forma segura el equipo y los peligros que esto implica. Asegúrese de que los niños no jueguen con el aparato. La limpieza y el mantenimiento por parte del usuario no deben ser realizados por los niños, a menos que sean supervisados.




- “ **ATENCIÓN**: las partes accesibles pueden calentarse mucho durante el uso de aparatos de cocción.

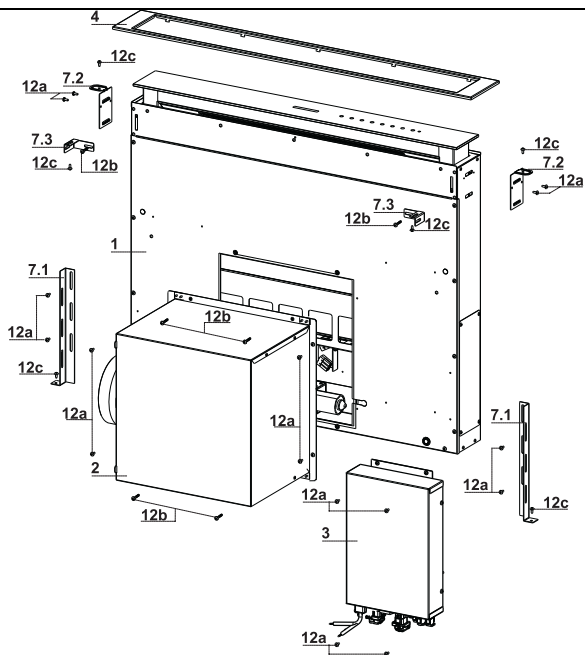
MANTENIMIENTO

- Apague o desconecte el aparato de la red eléctrica antes de cualquier operación de limpieza o mantenimiento.
- Limpie y/o reemplace los filtros después del período de tiempo especificado (peligro de incendio).
- Los filtros de grasa deben limpiarse cada 2 meses de operación, o con mayor frecuencia si se utilizan muy frecuentemente y se pueden lavar en el lavavajillas.
- El filtro de carbón activo no se puede lavar ni regenerar, y se debe cambiar cada 4 meses de funcionamiento aproximadamente, o con mayor frecuencia si se utiliza muy frecuentemente.
- Limpie la campana con un paño húmedo y un detergente líquido suave.



El símbolo  en el producto o en el embalaje indica que el producto no se debe considerar un desecho doméstico normal. El producto a eliminar se debe llevar a un centro de recogida apropiado para el reciclado de equipos eléctricos y electrónicos. Mediante la eliminación de este producto de manera apropiada, se contribuye a evitar consecuencias negativas para el medio ambiente y para la salud, que pudieran derivarse de una eliminación inadecuada del producto. Para obtener informaciones más detalladas sobre el reciclaje de este producto, ponerse en contacto con el ayuntamiento, el servicio local de eliminación de desechos o la tienda donde se compró el producto.

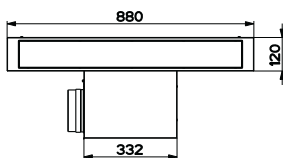
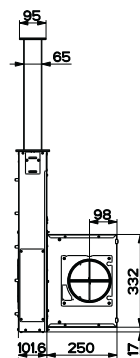
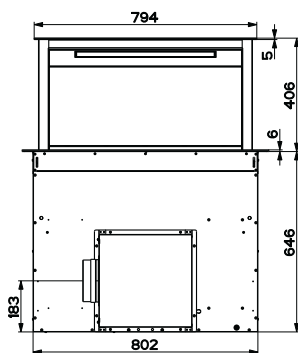
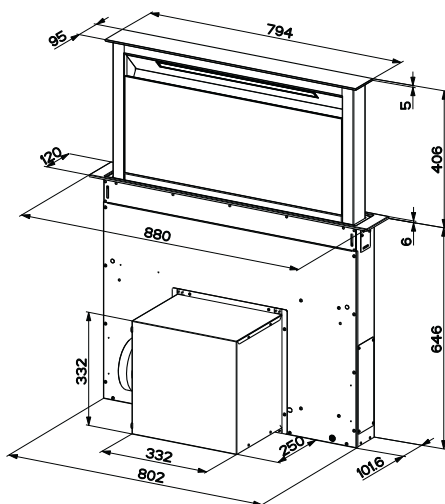
CARACTERÍSTICAS



Componentes

Ref.	Cant	Componentes de producto
1	1	Cuerpo de la campana dotado de: Mandos, luz, filtros
2	1	Grupo motor
3	1	Grupo eléctrico
4	1	Marco frontal
Ref.	Cant	Componentes de instalación
7.1	2	Brida de fijación al fondo
7.2	2	Brida de fijación al plano
7.3	2	Brida lateral
12a	16	Tornillos 3,5 x 9,5
12b	6	Tornillos M4 x 8
12c	6	Tornillos 4 x 15
Cant	Documentación	
1	Manual de instrucciones	

Dimensiones



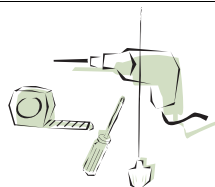
INSTALACIÓN

Esta campana está predispuesta para ser instalada dentro del mueble de la cocina en:

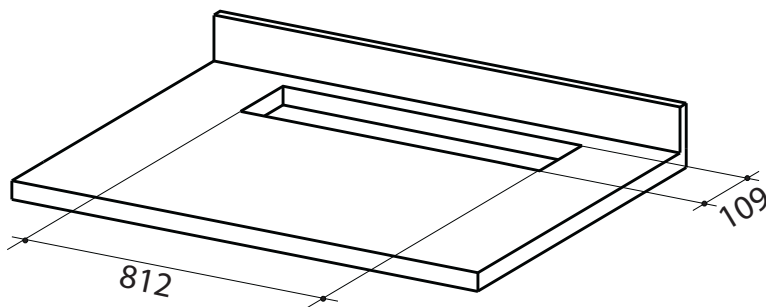
- **Versión aspirante** Evacuación externa.
- **Versión filtrante** Recirculación interna.

Secuencia operaciones de instalación

- **Perforación del plano y montaje de la campana**
- **Conexiones**
- **Control funcional**
- **Eliminación embalajes**



Perforación del plano de soporte

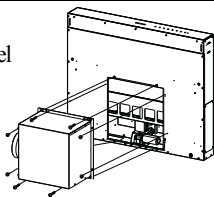


Importante

La distancia mínima entre el orificio perforado de la encimera y uno el de la unidad de succión debe ser al menos **3-5 cm**, dependiendo de la resistencia del material utilizado para la parte superior.

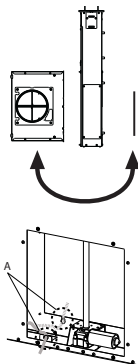
Introducción del cuerpo de la campana en el plano desde abajo

- La campana nace preparada para el montaje frontal del grupo motor.

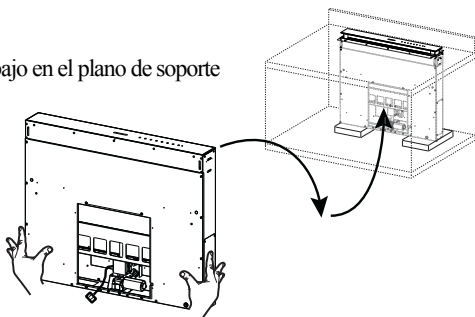


- Si la disposición del mueble de la cocina es diferente hay que prever el montaje del grupo motor por la parte posterior, se debe desmontar el tapón ya fijado en la parte trasera del cuerpo de la campana y volverlo a montar frontalmente. Volver a colocar también el cable con pasacable para la conexión del motor utilizando el ojal dispuesto en cada lado (A).

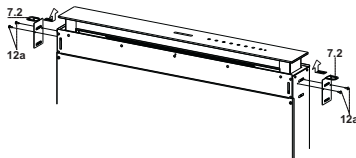
Antes de continuar, se debe fijar el grupo motor al cuerpo de la campana (Ver párrafo Fijación del grupo motor).



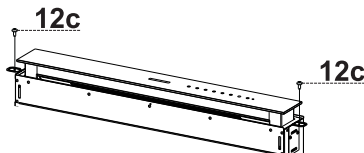
- Introducir el cuerpo de la campana por abajo en el plano de soporte anteriormente perforado.
- Con la ayuda de un soporte, alzar el cuerpo de la campana hasta que la parte frontal salga del plano.



- Insertar las bridas 7.2, como se indica en la figura, en los ojales y fijarlas con los tornillos 12a en dotación.
- Centrar el cuerpo de la campana respecto al ojal del plano de cocción.



- Fijar con 2 tornillos 12c en dotación el cuerpo de la campana al plano y quitar los soportes.

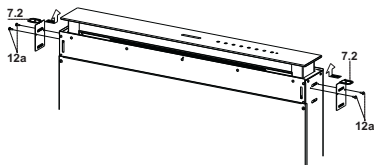


Atención:

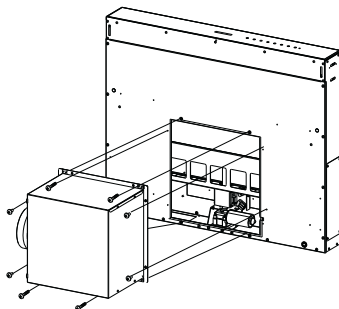
Si por causa del material del plano de cocción no fuera posible atomillar los tornillos 12c, usar una pequeña cantidad de silicona para encolar las bridas 7.2 al plano y dejar secar bien antes de continuar con la instalación.

Introducción del cuerpo de la campana en el plano desde arriba

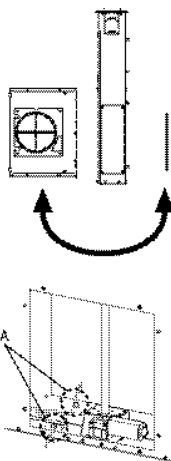
- Insertar las bridas 7.2, como se indica en la figura, en los ojales y fijarlas con los tornillos 12a en dotación.



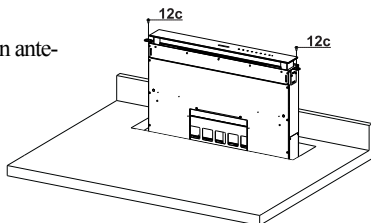
- La campana nace preparada para el montaje frontal del grupo motor.



- Si la disposición del mueble de la cocina es diferente hay que prever el montaje del grupo motor por la parte posterior, se debe desmontar el tapón ya fijado en la parte trasera del cuerpo de la campana y volverlo a montar frontalmente. Volver a colocar también el cable con pasacable para la conexión del motor utilizando el ojal dispuesto en cada lado (A).



- Introducir el cuerpo en el plano de cocción anteriormente perforado.
- Centrar el cuerpo de la campana respecto al ojal del plano de cocción.
- Fijar con 2 tornillos 12c en dotación el cuerpo de la campana.

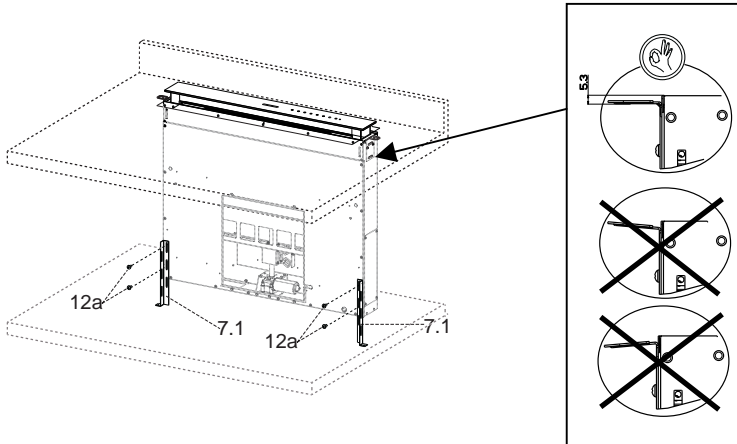


Atención:

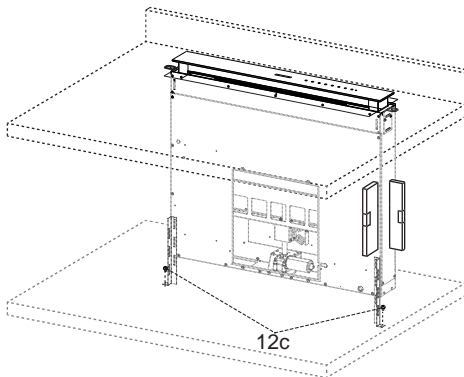
Si por causa del material del plano de cocción no fuera posible atornillar los tornillos 12c, usar una pequeña cantidad de silicona para encolar las bridas 7.2 al plano y dejar secar bien antes de continuar con la instalación.

Fijación de las abrazaderas inferiores

- Fijar frontalmente las abrazaderas **7.1** al cuerpo de la campana con los tornillos **12a** en dotación.
- Antes de apretar definitivamente las abrazaderas, efectuar las regulaciones que permiten a las abrazaderas apoyarse sobre la base inferior del plano, evitando la deformación de las abrazaderas superiores **7.2** como indica la figura.



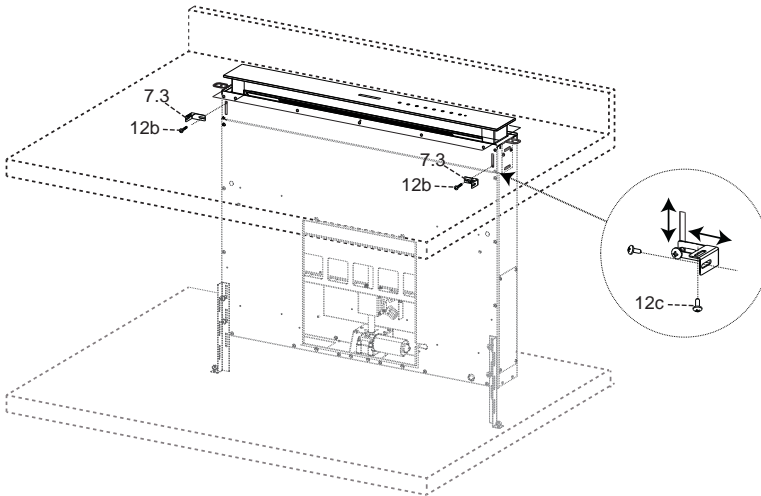
- Con la ayuda de un nivel, nivelar verticalmente el cuerpo de la campana y fijarlo con 2 tornillos **12c** en dotación al plano inferior.



- Fijar definitivamente los tornillos **12a**.

Fijación de las abrazaderas en escuadra

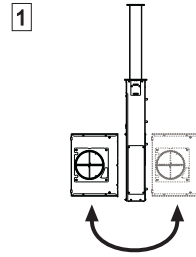
- Atornillar las abrazaderas **7.3** al cuerpo de la campana con los tornillos **12b** en dotación si apretarlas.
- Atornillar con los tornillos **12c** en dotación la otra parte de las abrazaderas **7.3** o a las paredes laterales del mueble o a la parte inferior del plano de cocción.



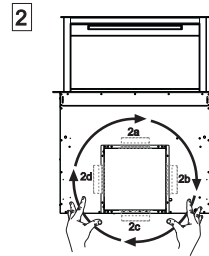
- Fijar definitivamente los tornillos **12c** y **12b**.

Fijación del grupo motor

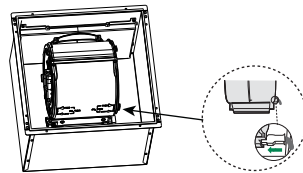
- La instalación del grupo motor (1) en posición frontal o posterior se decide en función de la disposición del mueble de cocina, verificando la colocación correcta del tapón.



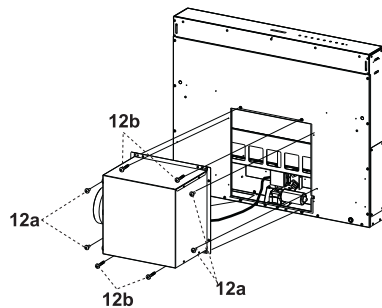
- Luego, en base al lugar donde se haya realizado el orificio de salida de aire del mueble se puede girar el grupo motor de 90° en 90° para permitir la salida del aire por los 4 lados, en correspondencia con el del mueble (2).



- Conectar el conector procedente del cuerpo de la campana a la conexión del grupo motor.

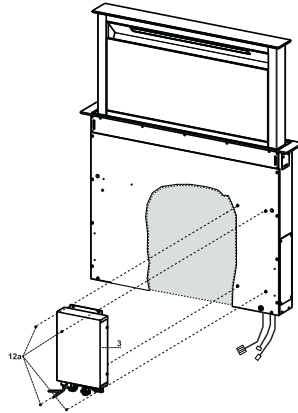


- Atornillar sucesivamente el grupo motor al cuerpo de la campana con los tornillos 12a y 12b en dotación, como se indica en la figura.

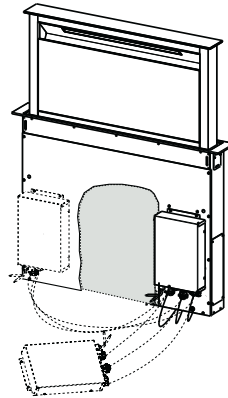


Fijación de grupo eléctrico

- Conectar los cables eléctricos que salen de la parte derecha inferior del cuerpo de la campana a los conectores en el grupo eléctrico.
- Cada conector de los cables tiene uno correspondiente en el grupo eléctrico, por esto se debe poner atención a no equivocar las conexiones.



- Fijar el grupo eléctrico al cuerpo de la campana con los tornillos **12a** en dotación.
- La posición indicada en la figura es sólo una opción. Si es necesario se puede montar también a la izquierda del cuerpo de la campana o incluso, se puede dejar libre sobre la base móvil si no hay problemas estructurales o de seguridad.



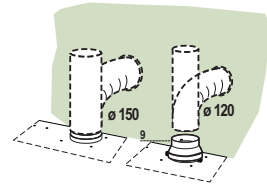
⚠ Atención...: No instalar el producto dejando la caja eléctrica en contacto con el pavimento.

Conexiones

SALIDA DEL AIRE VERSIÓN ASPIRANTE

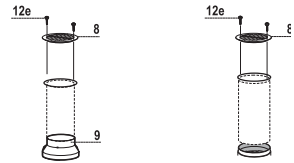
Para la instalación de la versión aspirante, conectar la campana al tubo de salida mediante un tubo rígido o flexible de $\varnothing 150$ o 120 mm, a discreción del instalador.

- Para la conexión con el tubo de $\varnothing 120$ mm, introducir la brida de reducción **9** en la salida del cuerpo de la campana.
- Fijar el tubo con abrazaderas adecuadas. Este material no se proporciona en dotación.
- Quitar los filtros antiolor al carbón activo.



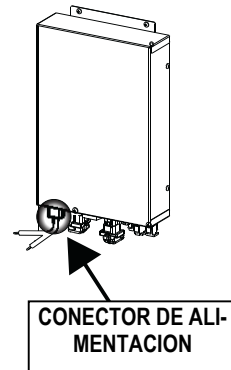
SALIDA AIRE VERSIÓN FILTRANTE

- Conectar la brida al orificio de salida del aire con un tubo rígido o flexible de $\varnothing 120$ o 150 mm.
- Para la conexión con el tubo $\varnothing 120$ mm, insertar la brida de reducción **9** en la salida del cuerpo de la campana.
- Fijar el tubo con adecuadas abrazaderas ajustables. El material necesario no viene en dotación.
- Fijar la rejilla direccionada **8** en la salida con 2 tornillos **12e** ($2,9 \times 9,5$) en dotación.
- Comprobar la presencia de los filtros antiolor de carbón activo (Ver párrafo Mantenimiento de los filtros de carbón activo).



CONEXIÓN ELÉCTRICA

- Conectar la campana a la red de alimentación eléctrica instalando un interruptor bipolar con apertura de los contactos de 3 mm como mínimo.



Montaje frontal

- Alzar el cuerpo móvil de la campana (Ver párrafo Uso) solamente algunos centímetros.
- Para bloquear el movimiento es suficiente ejercer una presión hacia abajo en el cuerpo móvil que se está alzando.

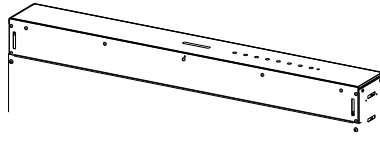
Atención: Nunca bloquear la puerta corrediza durante las fases de apertura o cierre, exceptuando en la fase de montaje del marco.

- Quitar las protecciones de esponja de las esquinas del vidrio.
- Tomar el marco frontal e introducirlo por arriba, cuidando de que sus lengüetas se inserten en los ojales preparados en la campana y desplazarlo hacia la izquierda.

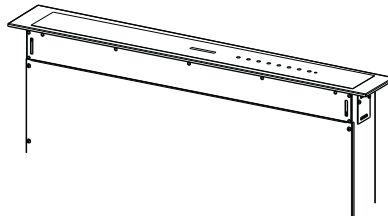
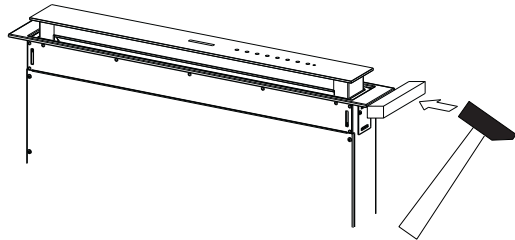
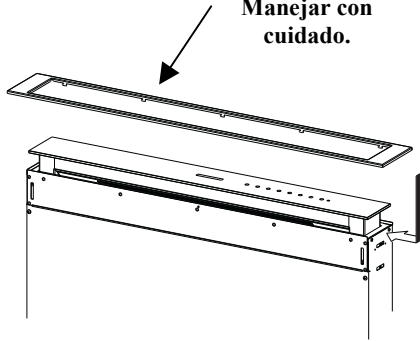
Atención...: Todas las lengüetas se deben insertar.

- Batir en el marco frontal de derecha a izquierda con la ayuda de una herramienta (martillo) hasta llegar al tope. Para no dañar el marco se puede utilizar un elemento (pieza de madera a la medida) entre el martillo o el marco frontal.

- Referirse al párrafo Uso para volver a colocar el cuerpo móvil en posición estándar.

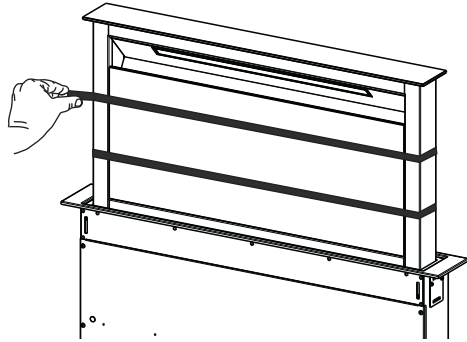


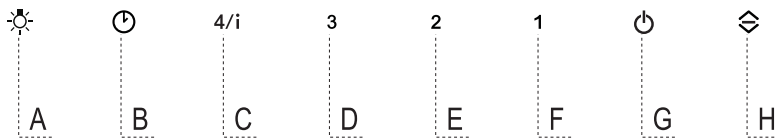
Atención...:
Manejar con cuidado.



Panel de aspiración perimetral

- Abrir la puerta de la campana (Ver párrafo Uso)
- Quitar las 2 tiras de cinta adhesiva que fijan el panel sólo durante el transporte.





Tablero de mandos

Tecla	Función	Tecla Led
A	La tecla funciona sólo con la puerta abierta.	
	Breve presión = enciende/apaga las luces a la máxima luminosidad.	
	Presión de 2 segundos = enciende/apaga las luces de cortesía .	
B	Funciona sólo con la puerta abierta. Presión breve = activa/desactiva el modo Delay , el apagado automático retrasado en 30' del motor y de la instalación de iluminación desde cualquier velocidad. Se desactiva presionando la misma tecla, apagando el motor o cerrando la puerta.	Acceso tecla led B + la tecla de la velocidad implementada.
	Funciona con la puerta cerrada y abierta. Presión de 2 segundos = con alarma de filtros activa se realiza el reset de la alarma de filtros, todos los testigos están 3 destellos. Dichas señalizaciones son visibles sólo con el motor apagado.	Tecla led fijo: Señala la necesidad de lavar los filtros antigrasa metálicos. La alarma entra en función después de 100 horas de trabajo efectivo de la campana. Tecla led intermitente: Señala la necesidad de sustituir los filtros de carbón activo y deben lavarse además los filtros antigrasa metálicos. La alarma entra en función después de 200 horas de trabajo efectivo de la campana.
C	Funciona sólo con la puerta abierta. Presión breve = Activa la cuarta velocidad .	Tecla led fijo
	Funciona sólo con la puerta abierta. Presión de 2 segundos = habilita/deshabilita la velocidad Intensiva . Dicha velocidad está temporizada en 6 minutos. Al final del tiempo, el sistema regresa a la velocidad implementada precedentemente. Se desactiva presionando la misma tecla, apagando el motor o cerrando la puerta.	Tecla led intermitente
D	Funciona sólo con la puerta abierta. Activa la tercera velocidad .	Tecla led fijo
E	Funciona sólo con la puerta abierta Activa/desactiva la segunda velocidad .	Tecla led fijo
	Funciona con la puerta cerrada y abierta con motor + luces = Off. Presión de 4 segundos = habilita/deshabilita el Bloqueo del teclado .	Todas las teclas led parpadean 2 veces. Durante el bloqueo, las teclas led se encienden con una secuencia.
F	Funciona sólo con la puerta abierta. Presión breve = activa/desactiva la primera velocidad .	Tecla led fijo
	Puerta abierta o cerrada Presión de 2 segundos = habilita/deshabilita la alarma de filtros de carbón activo con motor apagado y sin alarmas de filtros activadas.	2 parpadeos de la tecla led B = alarma de filtros C.A. Activado 1 parpadeo de la tecla led B = alarma de filtros C.A. Desactivado
G	Puerta abierta Presión breve = apaga el motor	Apagado de la tecla led
	Puerta abierta o cerrada Presión de 2 segundos con motor y luces off = habilita/deshabilita el telemando .	2 parpadeos de las teclas led G + F = telemando habilitado 1 parpadeo de las teclas led G + F = telemando deshabilitado
H	Puerta abierta = cierra la puerta + luces y motor off Puerta cerrada = abre la puerta + luces y motor on. Atención: Si la puerta, por algún motivo, está parcialmente abierta, pulsando la tecla terminará su ciclo de apertura o de cierre.	

MANDO A DISTANCIA (OPCIONAL)

El aparato puede comandarse con un mando a distancia que funciona con pilas alcalinas zinkcarbón de 1,5 V del tipo standard LR03-AAA (no incluido).



- No dejar el mando a distancia cerca de una fuente de calor.
- Tirar las pilas, cuando se hayan agotado, en los contenedores especiales colocados con dicho fin.

Tablero de mandos telemandos

Atención..: El receptor del telemando inicialmente está desactivado, para activarlo hay que consultar el párrafo **Uso** función tecla **G**.

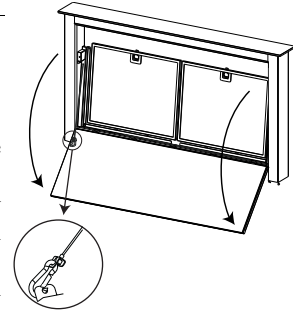


⏻	Motor	<p>Puerta cerrada: Abre la puerta, enciende el motor a la primera velocidad y las luces a la máxima luminosidad.</p> <p>Puerta abierta: Presión breve: On /Off motor Si se presiona por 2 segundos: Cierra la puerta y motor + luces = off</p>
-		<p>Sólo con la puerta abierta: Decrementa la velocidad de ejercicio a cada presión.</p>
+		<p>Sólo con la puerta abierta: Incrementa la velocidad de ejercicio a cada presión.</p>
ⓘ	Intensiva	<p>Sólo con la puerta abierta: Activa la función intensiva</p>
⌚	Delay	<p>Sólo con la puerta abierta: Activa la función Delay</p>
☀	Luz	<p>Sólo con la puerta abierta: Presión breve: On / Off luces. Si se presiona por 2 segundos: On / Off luces de cortesía</p>

MANTENIMIENTO

Limpieza de los Comfort Panel

- Abrir el comfort panel tirándolo por la parte superior.
- Desenganchar el cable de seguridad abriendo el gancho.
- Desenganchar el panel del cuerpo de la campana.
- El comfort panel no debe en absoluto lavarse en el lavavajillas.
- Limpiarlo externamente con un paño húmedo y detergente líquido neutro.
- Limpiarlo también internamente utilizando un paño húmedo y detergente neutro; no utilizar paños o esponjas mojadas, ni chorros de agua, no utilizar sustancias abrasivas.
- Una vez terminada la operación enganchar nuevamente el panel y el gancho al cuerpo de la campana y cerrarlo.



Filtros antigrasa metálicos

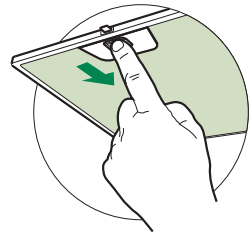
Se pueden lavar en lavavajillas, y necesitan ser lavados cuando se enciende la tecla **B** o al menos cada 2 meses de uso aproximadamente o más frecuentemente, para un uso particularmente intenso.

Reset de la señal de alarma

- Apagar las luces y el motor de aspiración.
- Pulsar la tecla **B** durante 2 segundos.

Limpieza de filtros

- Abrir la puerta (ver párrafo Uso).
- Abrir el comfort panel tirándolo.
- Quitar los filtros uno por vez, empujándolos hacia la parte posterior del grupo y tirando simultáneamente hacia abajo.
- Lavar los filtros evitando doblarlos, y dejarlos secar antes de volverlos a montar. (Un eventual cambio de color de la superficie del filtro, que podría verificarse en el transcurso del tiempo, no perjudica absolutamente la eficiencia del mismo.)
- Montar nuevamente los filtros teniendo cuidado de mantener la manija hacia la parte visible externa.
- Cerrar el comfort panel.



Filtros antiolor de carbón activo (versión filtrante)

Se puede lavar también en lavavajillas, se debe limpiar cuando parpadea la tecla **B** o por lo menos cada 4 meses o más frecuentemente, en caso de uso particularmente intenso, garantizando el funcionamiento hasta un máximo de 5 lavados antes de tener que sustituirlo. La señalización de alarma si ha sido previamente activada, se verifica sólo cuando está activado el motor de aspiración.

Activación de la señal de alarma

- En las campanas en versión filtrante, la señalización de alarma saturación filtros debe activarse en el momento de la instalación o sucesivamente.
- Apagar las luces y el motor de aspiración.
- Pulsar la tecla F durante 2 segundos:
 - 2 parpadeos tecla Led **B** - Alarma de saturación del filtro de carbón activo ACTIVADA.
 - 1 parpadeo tecla Led **B** - Alarma de saturación del filtro de carbón activo DES-ACTIVADA.

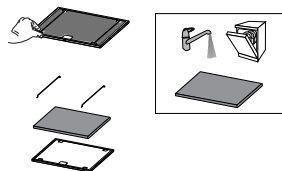
SUSTITUCIÓN DEL FILTRO ANTIOLOR AL CARBÓN ACTIVO

Reset de la señal de alarma

- Apagar las luces y el motor de aspiración.
- Pulsar la tecla **B** durante 2 segundos.

Sustitución filtro

- Quitar el comfort panel.
- Quitar los filtros antigrasa metálicos.
- Quitar las sujeciones de los filtros metálicos de filtros antigrasa y proceder a la limpieza del filtro antiolor al carbón activo saturado.
- Montar nuevamente el filtro antiolor al carbón al activo volviéndolo a enganchar con las sujeciones de los filtros metálicos al filtro antigrasa.
- Montar los filtros antigrasa metálicos.
- Cerrar el comfort panel.



Iluminación

Atención : Este aparato está provisto de una luz LED blanca de clase 1 M según la norma EN 60825-1: 1994 + A1:2002 + A2:2001; máxima potencia óptica emitida@439nm: 7 μ W. No observar directamente con instrumentos ópticos (catalejo, lupa.....)

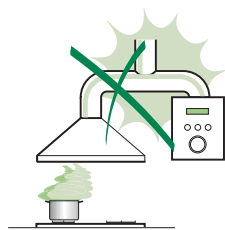
- Para la sustitución ponerse en contacto con la Asistencia Técnica. ("Para la compra dirigirse a la asistencia técnica").

ΣΥΜΒΟΥΛΕΣ ΚΑΙ ΣΥΣΤΑΣΕΙΣ

- △ Οι οδηγίες χρήσης αναφέρονται σε διαφορετικά μοντέλα αυτής της συσκευής. Επομένως, μπορεί να συναντήσετε περιγραφές κάποιων χαρακτηριστικών που δεν ανήκουν στη δική σας συσκευή.

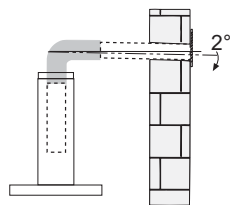
ΕΓΚΑΤΑΣΤΑΣΗ

- Ο κατασκευαστής δεν μπορεί να θεωρηθεί υπεύθυνος για ενδεχόμενες ζημιές που οφείλονται σε ακατάλληλη εγκατάσταση ή χρήση.
- Η ελάχιστη απόσταση ασφαλείας μεταξύ της επιφάνειας των εστιών και του απορροφητήρα είναι 650 mm (Ορισμένα μοντέλα μπορούν να εγκατασταθούν σε μικρότερο ύψος. Ανατρέξτε στην παράγραφο με τις διαστάσεις λειτουργίας και εγκατάστασης).
- Βεβαιωθείτε ότι η τάση του δικτύου αντιστοιχεί στην τιμή που αναγράφεται στην πινακίδα χαρακτηριστικών στο εσωτερικό του απορροφητήρα.
- Για τις συσκευές Κλάσης I, βεβαιωθείτε ότι το οικιακό δίκτυο τροφοδοσίας είναι κατάλληλα γειωμένο.

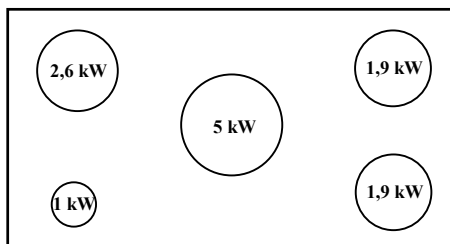


Συνδέστε τον απορροφητήρα στην καπνοδόχο με ένα σωλήνα με ελάχιστη διάμετρο 120 mm. Η διαδρομή των ατμών πρέπει να είναι όσο το δυνατόν συντομότερη.

- Μη συνδέετε τον απορροφητήρα σε αγωγούς απαγωγής καπναερίων που παράγονται από καύση (π.χ. λέβητες, τζάκια κλπ.).
- Αν χρησιμοποιείτε τον απορροφητήρα σε συνδυασμό με άλλες μη ηλεκτρικές συσκευές (π.χ. συσκευές υγραερίου), θα πρέπει να εξασφαλίσετε τον επαρκή αερισμό του χώρου ώστε να εμποδίσετε την επιστροφή των καπναερίων. Η κουζίνα πρέπει να διαθέτει ένα άνοιγμα που να επικοινωνεί απευθείας με το εξωτερικό ώστε να εξασφαλίζεται η είσοδος καθαρού αέρα. Όταν ο απορροφητήρας της κουζίνας χρησιμοποιείται σε συνδυασμό με μη ηλεκτρικές συσκευές, η αρνητική πίεση του χώρου δεν πρέπει να υπερβαίνει τα 0,04 mbar έτσι ώστε να αποφεύγεται η επιστροφή των καπναερίων στο χώρο και η αναρρόφησή τους από τον απορροφητήρα.
- Σε περίπτωση ζημιάς του ηλεκτρικού καλωδίου, αυτό πρέπει να αντικατασταθεί από τον κατασκευαστή ή από το σέρβις, ώστε να προληφθεί κάθε κίνδυνος.



- Αν οι οδηγίες εγκατάστασης της μονάδας εστιών με υγραέριο υποδεικνύουν ότι απαιτείται απόσταση μεγαλύτερη από εκείνη που αναφέρεται παραπάνω, είναι απαραίτητο να τις λάβετε υπόψη. Πρέπει να τηρούνται όλοι οι κανονισμοί αναφορικά με την εκκένωση του αέρα.
- Χρησιμοποιείτε μόνο βίδες και εξαρτήματα κατάλληλου τύπου για τον απορροφητήρα. **Προειδοποίηση:** η μη τοποθέτηση των βιδών και των συστημάτων στερέωσης σύμφωνα με τις παρούσες οδηγίες, μπορεί να προκαλέσει ηλεκτροπληξία.
- Συνδέστε τον απορροφητήρα στο δίκτυο τροφοδοσίας παρεμβάλλοντας ένα διπολικό διακόπτη με άνοιγμα επαφών τουλάχιστον 3 mm.
- Αυτός ο απορροφητήρας μπορεί να χρησιμοποιηθεί σε συνδυασμό με μια μονάδα εστιών υγραερίου με τα εξής χαρακτηριστικά:
- Μέγιστη ισχύς 12,4 kW
- 5 εστιές όπως δείχνει η εικόνα



ΧΡΗΣΗ

- Ο απορροφητήρας έχει μελετηθεί αποκλειστικά για οικιακή χρήση και για την απαγωγή των οσμών της κουζίνας.
- Ποτέ μη χρησιμοποιείτε τον απορροφητήρα για σκοπό διαφορετικό από εκείνον για τον οποίο έχει σχεδιαστεί.
- Ποτέ μην αφήνετε φλόγες μεγάλης έντασης κάτω από τον απορροφητήρα όταν λειτουργεί.
- Ρυθμίστε την ένταση της φλόγας έτσι ώστε να κατευθύνεται αποκλειστικά προς τον πάτο του σκεύους μαγειρέματος, εξασφαλίζοντας ότι δεν προεξέχει από τις πλευρές του.
- Οι φριτζές πρέπει να ελέγχονται συνεχώς όταν χρησιμοποιούνται: το καυτό λάδι μπορεί να πάρει φωτιά.
- Μην μαγειρεύετε φαγητά φλαμπέ κάτω από τον απορροφητήρα: μπορεί να προκληθεί πυρκαγιά.
- Αυτή η συσκευή μπορεί να χρησιμοποιηθεί από παιδιά ηλικίας άνω των 8 ετών και από άτομα με μειωμένες ψυχικές ή διανοητικές ικανότητες, ή από άτομα χωρίς πείρα και επαρκή γνώση, αρκεί να επιβλέπονται και εκπαιδεύονται στην ασφαλή χρήση της συσκευής και στους κινδύνους που απορρέουν από αυτή. Βεβαιωθείτε ότι τα παιδιά δεν παίζουν με τη συσκευή. Ο καθαρισμός και η συντήρηση δεν πρέπει να εκτελούνται από παιδιά, εκτός εάν επιβλέπονται.




- **ΠΡΟΣΟΧΗ:** τα προσβάσιμα μέρη μπορεί να έχουν υψηλή θερμοκρασία κατά τη χρήση των συσκευών μαγειρέματος.

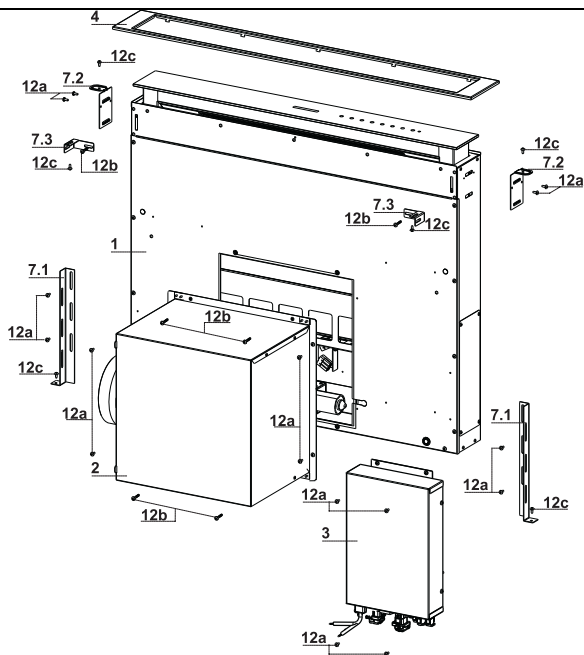
ΣΥΝΤΗΡΗΣΗ

- Σβήνετε ή αποσυνδέετε τη συσκευή από το ηλεκτρικό δίκτυο πριν από οποιαδήποτε επέμβαση καθαρισμού ή συντήρησης.
- Καθαρίζετε ή/και αντικαθιστάτε τα φίλτρα μετά την καθορισμένη χρονική περίοδο (κίνδυνος πυρκαγιάς).
- Τα φίλτρα για λίπη πρέπει να καθαρίζονται κάθε 2 μήνες λειτουργίας ή συχνότερα σε περίπτωση ιδιαίτερα συχνής χρήσης και μπορούν να πλυθούν στο πλυντήριο πιάτων.
- Το φίλτρο ενεργού άνθρακα δεν μπορεί να πλυθεί ούτε να αναγεννηθεί και πρέπει να αντικαθίσταται περίπου κάθε 4 μήνες λειτουργίας ή συχνότερα σε περίπτωση ιδιαίτερα συχνής χρήσης.
- Καθαρίζετε τον απορροφητήρα χρησιμοποιώντας ένα υγρό πανί και ουδέτερο υγρό απορρυπαντικό.



Το σύμβολο  πάνω στο προϊόν ή πάνω στη συσκευασία του υποδεικνύει ότι το προϊόν δεν πρέπει να διατίθεται σαν ένα συνηθισμένο οικιακό απόρριμμα. Το προϊόν προς διάθεση πρέπει να παραδίδεται σε ένα κατάλληλο κέντρο συλλογής για την ανακύκλωση των ηλεκτρικών και ηλεκτρονικών συσκευών. Φροντίζοντας για τη σωστή διάθεση αυτού του προϊόντος, συμβάλλετε στην αποφυγή πιθανών αρνητικών επιπτώσεων για το περιβάλλον και την υγεία, που μπορεί να οφείλονται στην ακατάλληλη διάθεσή του. Για λεπτομερέστερες πληροφορίες σχετικά με την ανακύκλωση αυτού του προϊόντος, απευθυνθείτε στο Δήμο, στην τοπική υπηρεσία συλλογής απορριμμάτων ή στο κατάστημα από το οποίο αγοράσατε το προϊόν.

ΧΑΡΑΚΤΗΡΙΣΤΙΚΑ



Εξαρτήματα

Αναφ. Ποσ. Εξαρτήματα της συσκευής

1	1	Σώμα απορροφητήρα με: Χειριστήρια, Φωτισμό, Φίλτρα
2	1	Μονάδα μοτέρ
3	1	Ηλεκτρική μονάδα
4	1	Μπροστινή κορνίζα

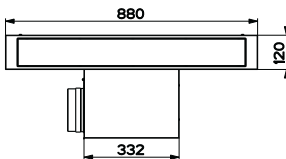
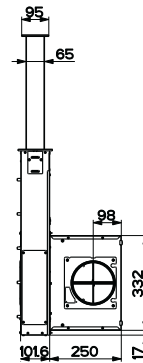
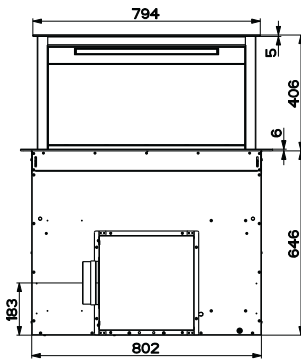
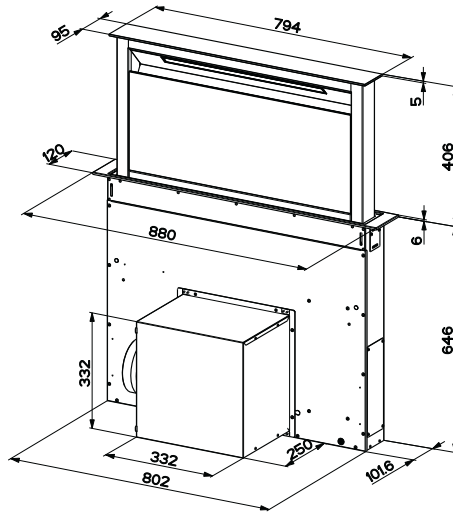
Αναφ. Ποσ. Εξαρτήματα για την εγκατάσταση

7.1	2	Στήριγμα στερέωσης στην πλάτη
7.2	2	Στήριγμα στερέωσης στην επιφάνεια
7.3	2	Πλαϊνό στήριγμα
12a	16	Βίδες 3,5 x 9,5
12b	6	Βίδες M4 x 8
12c	6	Βίδες 4 x 15

Ποσ. Έντυπα

1	Εγχειρίδιο οδηγιών
---	--------------------

Διαστάσεις



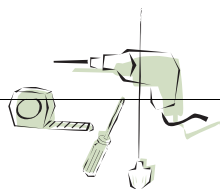
ΕΓΚΑΤΑΣΤΑΣΗ

Αυτός ο απορροφητήρας μπορεί να τοποθετηθεί στο εσωτερικό του επίπλου της κουζίνας ως:

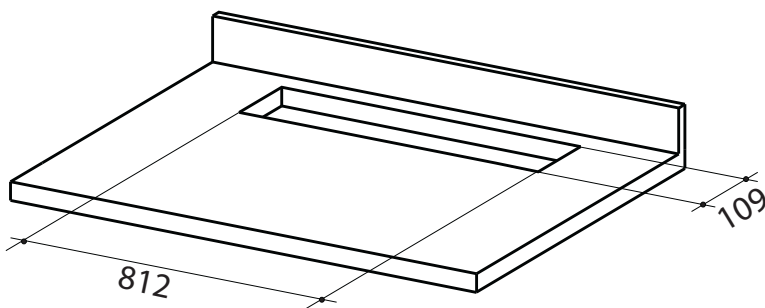
- Μοντέλο Απαγωγής: Εξωτερική εκκένωση.
- Μοντέλο Ανακύκλωσης: Εσωτερική ανακύκλωση.

Σειρά ενεργειών για την εγκατάσταση

- Διάτρηση επιφάνειας και τοποθέτηση απορροφητήρα
- Συνδέσεις
- Έλεγχος λειτουργίας
- Διάθεση συσκευασίας



Διάτρηση επιφάνειας στήριξης

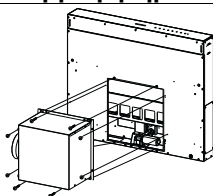


Σημαντικό

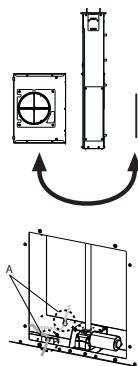
Η ελάχιστη απόσταση μεταξύ της οπής για την εστία και το ένα για τη μονάδα αναρρόφησης πρέπει να είναι τουλάχιστον **3-5 cm** ανάλογα με την αντίσταση του υλικού που χρησιμοποιείται για την κορυφή.

Τοποθέτηση σώματος απορροφητήρα στην επιφάνεια από κάτω

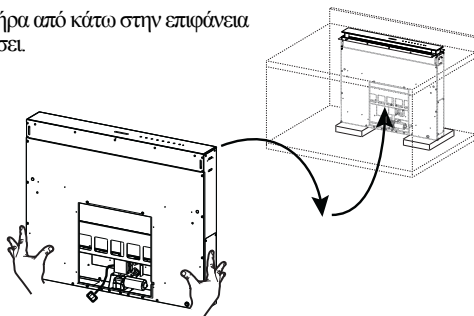
- Ο απορροφητήρας έχει κατασκευαστεί για την τοποθέτηση της μονάδας μοτέρ από εμπρός.



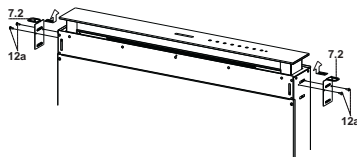
- Αν η διαμόρφωση του επίπλου της κουζίνας είναι διαφορετική και πρέπει να τοποθετήσετε τη μονάδα μοτέρ από πίσω, θα πρέπει να αφαιρέσετε το καπάκι που είναι ήδη στερεωμένο στο πίσω μέρος του σώματος απορροφητήρα και να το τοποθετήσετε από εμπρός καθώς και να τοποθετήσετε το καλώδιο με στυπαιοθλίπτη για τη σύνδεση του μοτέρ χρησιμοποιώντας το άνοιγμα που υπάρχει σε κάθε πλευρά (Α). Πριν συνεχίσετε, πρέπει να στερεώσετε τη μονάδα μοτέρ στο σώμα απορροφητήρα (βλ. παράγραφο Στερέωση μονάδας μοτέρ).



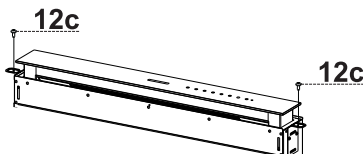
- Περάστε το σώμα απορροφητήρα από κάτω στην επιφάνεια στήριξης που έχετε ήδη τρυπήσει.
- Με τη βοήθεια ενός στηρίγματος σιγκώστε το σώμα απορροφητήρα έως ότου η πρόσωση προεξέχει από την επιφάνεια.



- Περάστε τα στηρίγματα 7.2, όπως δείχνει η εικόνα, στα ειδικά ανοίγματα και στερεώστε τα με τις βίδες 12a του εξοπλισμού.
- Κεντράρετε το σώμα απορροφητήρα ως προς το άνοιγμα της μονάδας εστίων.



- Στερεώστε με 2 βίδες 12c του εξοπλισμού το σώμα απορροφητήρα στην επιφάνεια και αφαιρέστε τα στηρίγματα.

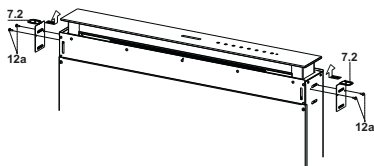


Προσοχή:

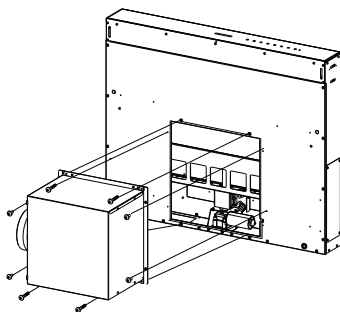
Αν εξ'αιτίας του υλικού κατασκευής της επιφάνειας εστίων δεν μπορείτε να βιδώσετε τις βίδες 12c, χρησιμοποιήστε μια μικρή ποσότητα σιλικόνης για να κολλήσετε τα στηρίγματα 7.2 στην επιφάνεια και αφήστε να στεγνώσει καλά πριν συνεχίσετε την τοποθέτηση.

Τοποθέτηση σώματος απορροφητήρα στην επιφάνεια από πάνω

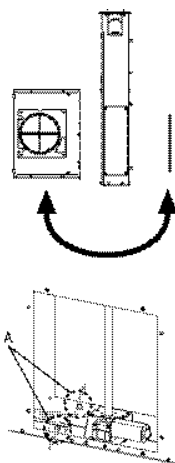
- Περάστε τα στηρίγματα 7.2, όπως δείχνει η εικόνα, στα ειδικά ανοίγματα και στερεώστε τα με τις βίδες 12a του εξοπλισμού.



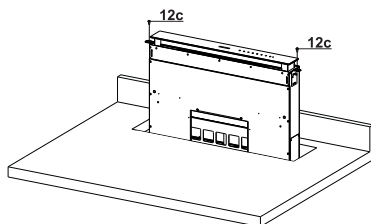
- Ο απορροφητήρας έχει κατασκευαστεί για την τοποθέτηση της μονάδας μοτέρ από εμπρός.



- Αν η διαμόρφωση του επίπλου της κουζίνας είναι διαφορετική και πρέπει να τοποθετήσετε τη μονάδα μοτέρ από πίσω, θα πρέπει να αφαιρέσετε το καπάκι που είναι ήδη στερεωμένο στο πίσω μέρος του σώματος απορροφητήρα και να το τοποθετήσετε από εμπρός καθώς και να τοποθετήσετε το καλώδιο με στυπιοθλίπτη για τη σύνδεση του μοτέρ χρησιμοποιώντας το άνοιγμα που υπάρχει σε κάθε πλευρά (A).



- Περάστε το σώμα απορροφητήρα στην επιφάνεια εστιών που έχετε ήδη τρυπήσει.
- Κεντράρετε το σώμα απορροφητήρα ως προς το άνοιγμα της μονάδας εστιών.
- Στερεώστε το σώμα απορροφητήρα με 2 βίδες 12c του εξοπλισμού.

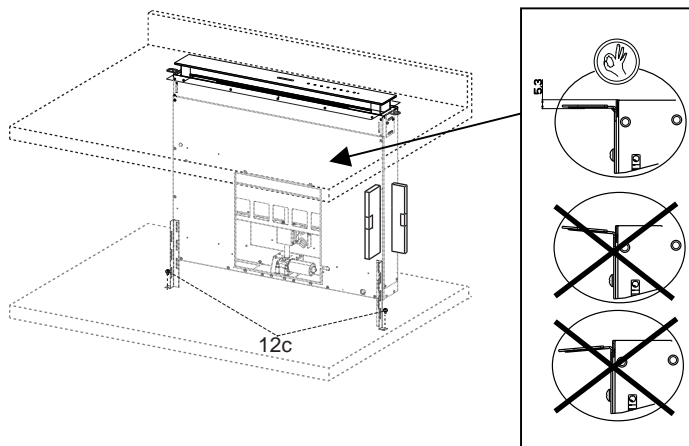


Προσοχή:

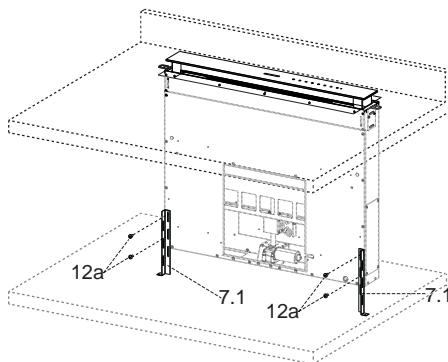
Αν εξ'αιτίας του υλικού κατασκευής της επιφάνειας εστιών δεν μπορείτε να βιδώσετε τις βίδες 12c, χρησιμοποιήστε μια μικρή ποσότητα σιλικόνης για να κολλήσετε τα στηρίγματα 7.2 στην επιφάνεια και αφήστε να στεγνώσει καλά πριν συνεχίσετε την τοποθέτηση.

Στερέωση κάτω στηριγμάτων

- Στερεώστε από εμπρός τα στηρίγματα 7.1 στο σώμα του απορροφητήρα με τις βίδες 12a του εξοπλισμού.
- Πριν σφίξετε οριστικά τα στηρίγματα, εκτελέστε τις ρυθμίσεις που θα επιτρέψουν στα στηρίγματα να ακουμπήσουν στην κάτω βάση της επιφάνειας αποφεύγοντας την παραμόρφωση των πάνω στηριγμάτων 7.2 όπως δείχνει η εικόνα.



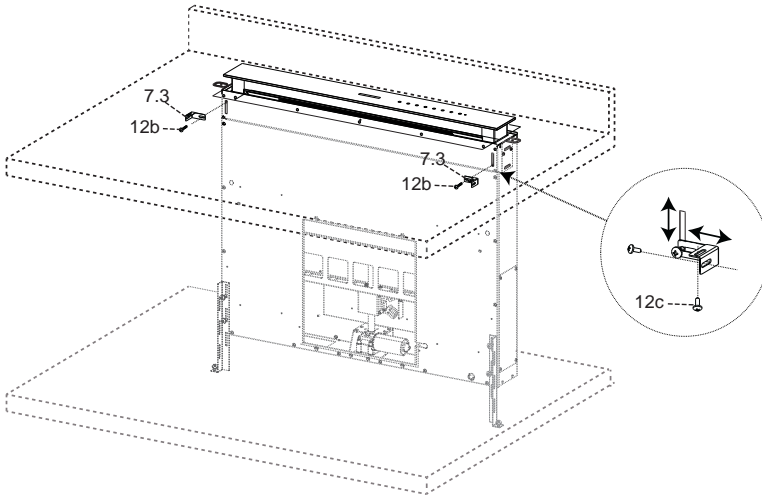
- Με ένα αλφάδι, αλφαδιάστε κατακόρυφα το σώμα απορροφητήρα και στερεώστε το με 2 βίδες 12c του εξοπλισμού στην κάτω επιφάνεια.



- Σφίξτε οριστικά τις βίδες 12a.

Στερέωση στηριγμάτων ορθογώνια

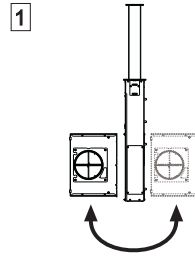
- Βιδώστε τα στηρίγματα **7.3** στο σώμα του απορροφητήρα με τις βίδες **12b** του εξοπλισμού χωρίς να τις σφίξετε.
- Βιδώστε με τις βίδες **12c** του εξοπλισμού την άλλη πλευρά των στηριγμάτων **7.3** ή στα πλαϊνά τοιχώματα του επίπλου ή στο κάτω μέρος της επιφάνειας εστιών.



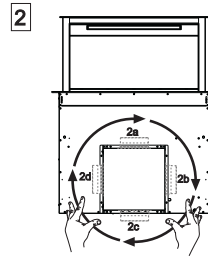
- Σφίξτε οριστικά τις βίδες **12c** και **12b**.

Στερέωση μονάδας μοτέρ

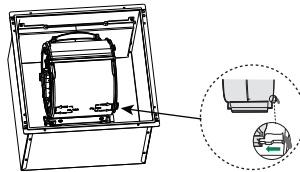
- Η εγκατάσταση της μονάδας μοτέρ (1) σε μπροστινή ή πίσω θέση πρέπει να αποφασιστεί ανάλογα με τη διαμόρφωση του επίπλου της κουζίνας, ελέγχοντας τη σωστή τοποθέτηση του καπακιού.



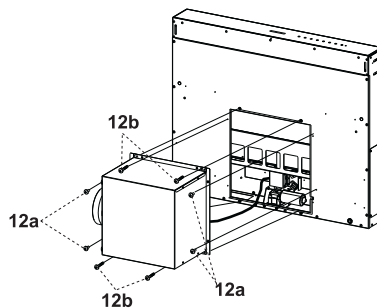
- Στη συνέχεια, ανάλογα με το που βρίσκεται η οπή εξόδου του αέρα στο έπιπλο, μπορείτε να περιστρέψετε τη μονάδα μοτέρ κατά 90° και στη συνέχεια κατά άλλες 90° έτσι ώστε να επιτρέψετε την έξοδο του αέρα και στις 4 πλευρές σε αντιστοιχία με εκείνη του επίπλου (2).



- Συνδέστε το συνδετήρα που προέρχεται από το σώμα απορροφητήρα στη σύνδεση της μονάδας μοτέρ.

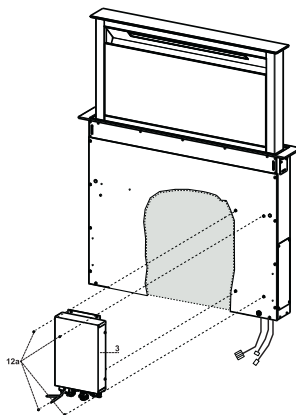


- Στη συνέχεια βιδώστε τη μονάδα μοτέρ στο σώμα του απορροφητήρα με τις βίδες 12a και 12b του εξοπλισμού όπως δείχνει η εικόνα.

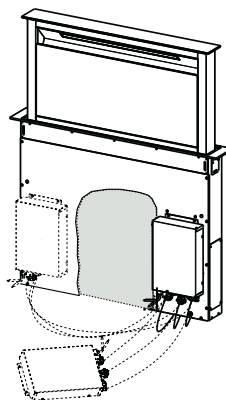


Στερέωση ηλεκτρικής μονάδας

- Συνδέστε τα ηλεκτρικά καλώδια που βγαίνουν από το κάτω δεξιό μέρος του σώματος απορροφητήρα στους συνδετήρες στην ηλεκτρική μονάδα.
- Κάθε συνδετήρας των καλωδίων έχει τον αντίστοιχο του στην ηλεκτρική μονάδα, επομένως προσέξτε να μην κάνετε λάθος σύνδεση.



- Στερεώστε την ηλεκτρική μονάδα στο σώμα του απορροφητήρα με τις βίδες **12a** του εξοπλισμού.
- Η θέση που υποδεικνύεται στην εικόνα είναι μόνο μια επιλογή, επειδή αν χρειαστεί μπορεί να τοποθετηθεί και στα αριστερά του σώματος απορροφητήρα στη βάση του επίπλου σε περίπτωση που δεν υπάρχουν εμπόδια ή θέμα ασφαλείας.



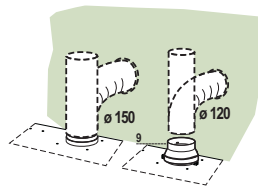
⚠ Προσοχή: Μην τοποθετείτε τη συσκευή αφήνοντας το κουτί ηλεκτρικής σύνδεσης πάνω στο δάπεδο.

Συνδέσεις

ΕΞΟΔΟΣ ΑΕΡΑ ΜΟΝΤΕΛΟΥ ΑΠΑΓΩΓΗΣ

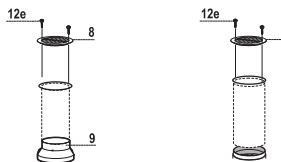
Για την εγκατάσταση του μοντέλου απαγωγής, συνδέστε τον απορροφητήρα στο σωλήνα εξόδου με έναν άκαμπτο ή εύκαμπτο σωλήνα $\varnothing 150$ ή 120 mm, η επιλογή του οποίου επαφίεται στον εγκαταστάτη.

- Για σύνδεση με σωλήνα $\varnothing 120$ mm, τοποθετήστε τη φλάντζα συστολής **9** στην έξοδο του σώματος του απορροφητήρα.
- Στερεώστε το σωλήνα με κατάλληλα κολάρα. Τα αναγκαία υλικά δεν διατίθεται με τον εξοπλισμό.
- Αφαιρέστε τυχόν φίλτρο ενεργού άνθρακα.



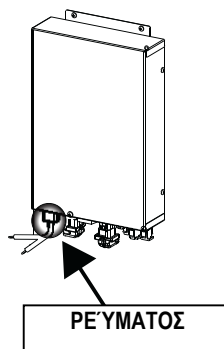
ΕΞΟΔΟΣ ΑΕΡΑ ΜΟΝΤΕΛΟΥ ΑΝΑΚΥΚΛΩΣΗΣ

- Συνδέστε τη φλάντζα στο άνοιγμα εξόδου του αέρα με έναν άκαμπτο ή εύκαμπτο σωλήνα $\Phi 120$ ή 150 mm.
- Για σύνδεση με σωλήνα $\Phi 120$ mm, τοποθετήστε τη φλάντζα συστολής **9** στην έξοδο του σώματος του απορροφητήρα.
- Στερεώστε το σωλήνα με κατάλληλα κολάρα. Το αναγκαίο υλικό δεν διατίθεται με τον εξοπλισμό.
- Στερεώστε τη ρυθμιζόμενη γρίλια **8** στην έξοδο με 2 βίδες **12e** ($2,9 \times 9,5$) του εξοπλισμού.
- Βεβαιωθείτε για την παρουσία των φίλτρων ενεργού άνθρακα (βλέπε παράγραφο Συντήρηση φίλτρων ενεργού άνθρακα).



ΗΛΕΚΤΡΙΚΗ ΣΥΝΔΕΣΗ

- Συνδέστε τον απορροφητήρα στο δίκτυο παρεμβάλλοντας διπολικό διακόπτη με άνοιγμα επαφών τουλάχιστον 3 mm.



Τοποθέτηση πρόσωσης

- Σηκώστε το κινητό σώμα του απορροφητήρα (βλ. παράγραφο Χρήση) μόνο κατά λίγα εκατοστά.
- Για να σταματήσετε την κίνηση αρκεί να εξασκήσετε πίεση προς τα κάτω πάνω στο κινητό σώμα που σηκώνεται.

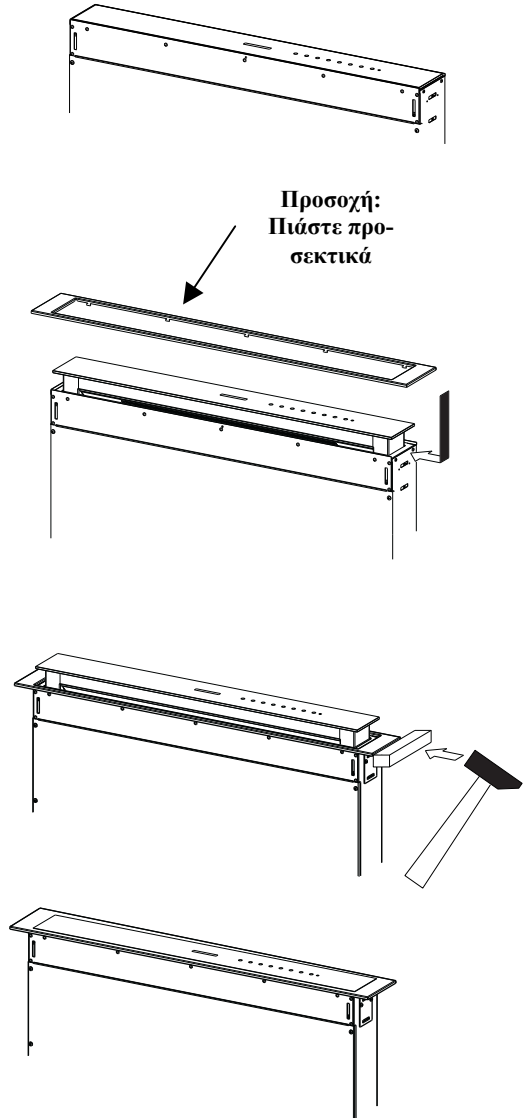
Προσοχή: Ποτέ μην μπλοκάρτε τη συρόμενη πόρτα κατά το άνοιγμα ή κατά την τοποθέτηση της κορνίζας.

- Αφαιρέστε σπογγώδη προστατευτικά από τις γωνίες του τζαμιού.
- Πάρτε την μπροστινή κορνίζα και τοποθετήστε την από πάνω προσέχοντας ώστε οι προεξοχές να προσαρμόσουν στις ειδικές υποδοχές του απορροφητήρα και μετακινήστε την προς τα αριστερά.

Προσοχή: Όλες οι προεξοχές πρέπει να προσαρμόσουν σωστά.

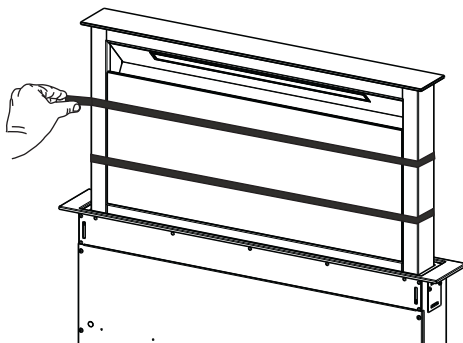
- Χτυπήστε την μπροστινή κορνίζα από δεξιά προς τα αριστερά με ένα εργαλείο (σφυρί) μέχρι να τερματίσει. Για να μην την καταστρέψετε μπορείτε να βάλετε ένα κομμάτι ξύλο κατάλληλου μεγέθους ανάμεσα στο σφυρί και στην μπροστινή κορνίζα.

- Ανατρέξτε στην παράγραφο Χρήση για να επαναφέρετε το κινητό σώμα στη θέση στάνταρ.

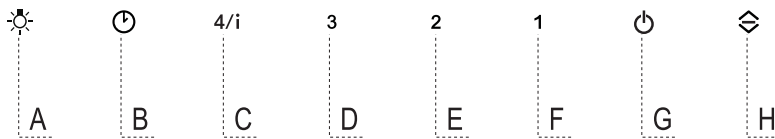


Περιμετρική μονάδα αναρρόφησης

- Ανοίξτε την πόρτα του απορροφητήρα (βλ. παράγραφο Χρήση).
- Αφαιρέστε τις 2 αυτοκόλλητες ταινίες που στερεώνουν τη μονάδα μόνο κατά τη μεταφορά.



ΧΡΗΣΗ



Πίνακας χειριστηρίων

Πλήκτρο	Λειτουργία	Πλήκτρο Led
A	Το πλήκτρο λειτουργεί μόνο με την πόρτα ανοιχτή.	
	Σύντομη πίεση = Ανάβα/Σβήνει τα φώτα στη μέγιστη ένταση.	
	Πίεση επί 2 δευτερόλεπτα = Ανάβα/Σβήνει τα φώτα της πλευρικής .	
B	Λειτουργεί μόνο με την πόρτα ανοιχτή. Σύντομη πίεση = Ενεργοποιεί/Απενεργοποιεί τη λειτουργία Delay , το αυτόματο σβήσιμο του μοτέρ και του φωτισμού με καθυστέρηση 30 λεπτών από οποιαδήποτε ταχύτητα. Απενεργοποιείται πάλι με το ίδιο πλήκτρο, σβήνοντας το μοτέρ ή κλείνοντας την πόρτα.	Πλήκτρο Led B αναμμένο + Πλήκτρο της επεξεργασμένης ταχύτητας
	Λειτουργεί τόσο με την πόρτα κλειστή όσο και ανοιχτή. Πίεση επί 2 δευτερόλεπτα = Με το συγκεκριμένο ενεργοποιημένο επαγρύπνηται ο μηδενισμός (Reset) του συγκεκριμένου φίλαρον, όλα τα LED είναι 3 αναβόσβητρα. Οι σημειώσεις αυτές εμφανίζονται μόνο με το μοτέρ σβηστό.	Πλήκτρο Led σταθερά αναμμένο: Επιστημονικά την ανάγκη καθαρισμού των μεταλλικών φίλαρον για λίπη. Ο συγκεκριμένος ενεργοποιείται μετά από 100 ώρες λειτουργίας του απορροφητήρα. Πλήκτρο Led αναβόσβητρα: Επιστημονικά την ανάγκη αντικατάστασης φίλαρον ενεργού άνθρακα και καθαρισμού των μεταλλικών φίλαρον για λίπη. Ο συγκεκριμένος ενεργοποιείται μετά από 200 ώρες λειτουργίας του απορροφητήρα.
C	Λειτουργεί μόνο με την πόρτα ανοιχτή. Σύντομη πίεση = Ενεργοποιεί την έκτακτη ταχύτητα .	Πλήκτρο Led σταθερά αναμμένο
	Λειτουργεί μόνο με την πόρτα ανοιχτή. Πίεση επί 2 δευτερόλεπτα = Ενεργοποιεί/Απενεργοποιεί την έντονη ταχύτητα . Η ταχύτητα αυτή ενεργοποιείται με χρονοδιακόπτη 6 λεπτών. Μετά την λήξη του χρόνου αυτού το σύστημα επανέρχεται στην προηγούμενη επεξεργασμένη ταχύτητα. Απενεργοποιείται πάλι με το ίδιο πλήκτρο, σβήνοντας το μοτέρ ή κλείνοντας την πόρτα.	Πλήκτρο Led αναβόσβητρα
D	Λειτουργεί μόνο με την πόρτα ανοιχτή. Ενεργοποιεί την τρίτη ταχύτητα .	Πλήκτρο Led σταθερά αναμμένο
E	Λειτουργεί μόνο με την πόρτα ανοιχτή. Ενεργοποιεί/Απενεργοποιεί τη δεύτερη ταχύτητα .	Πλήκτρο Led σταθερά αναμμένο
	Λειτουργεί τόσο με την πόρτα κλειστή όσο και ανοιχτή με μοτέρ και φώτα = Off. Πίεση επί 4 δευτερόλεπτα = Ενεργοποιεί/Απενεργοποιεί τη λειτουργία Κλειδώματος πλήκτρων .	Όλα τα πλήκτρα Led αναβόσβητουν 2 φορές. Κατά τη διάρκεια του κλειδώματος τα πλήκτρα Led ανάβουν με τη σειρά.
F	Λειτουργεί μόνο με την πόρτα ανοιχτή. Σύντομη πίεση = Ενεργοποιεί/Απενεργοποιεί την πρώτη ταχύτητα .	Πλήκτρο Led σταθερά αναμμένο
	Πόρτα ανοιχτή ή κλειστή. Πίεση επί 2 δευτερόλεπτα = Ενεργοποιεί/Απενεργοποιεί το Συγκεκριμένο φίλαρον ενεργού άνθρακα με το μοτέρ σβηστό και το Συγκεκριμένο φίλαρον απενεργοποιημένο.	2 αναβόσβηματα του πλήκτρου Led B = Συγκεκριμένος φίλαρον ενεργού άνθρακα ενεργοποιημένος 1 αναβόσβημα του πλήκτρου Led B = Συγκεκριμένος φίλαρον ενεργού άνθρακα απενεργοποιημένος
G	Πόρτα ανοιχτή Σύντομη πίεση = Σβήνει το μοτέρ	Σβήσιμο του πλήκτρου Led
	Πόρτα ανοιχτή ή κλειστή. Πίεση επί 2 δευτερόλεπτα με μοτέρ και φώτα Off = Ενεργοποιεί/Απενεργοποιεί το Τηλεχειριστήριο .	2 αναβόσβηματα πλήκτρων Led G + F = Τηλεχειριστήριο ενεργοποιημένο 1 αναβόσβημα πλήκτρων Led G + F = Τηλεχειριστήριο απενεργοποιημένο
H	Πόρτα ανοιχτή = Κλείνει την πόρτα + φώτα και μοτέρ Off Πόρτα κλειστή = Ανοίγει την πόρτα + φώτα και μοτέρ On. Προσοχή: Αν η πόρτα για κάποιο λόγο είναι εν μέρει ανοιχτή, πιέζοντας το πλήκτρο θα ολοκληρώσει τον κύκλο ανοίγματος ή κλεισίματος.	

ΤΗΛΕΧΕΙΡΙΣΤΗΡΙΟ (ΠΡΟΑΙΡΕΤΙΚΟ)

Η συσκευή ελέγχεται και με τηλεχειριστήριο που δέχεται αλκαλικές μπαταρίες ψευδαργύρου-άνθρακα 1,5 V στάνταρ τύπου LR03-AAA (δεν περιλαμβάνεται).

- Μη βάζετε το τηλεχειριστήριο κοντά σε πηγές θερμότητας.
- Μην πετάτε τις μπαταρίες στο περιβάλλον, αλλά μόνο στους ειδικούς κάδους.



Πίνακας χειριστηρίων τηλεχειριστηρίου

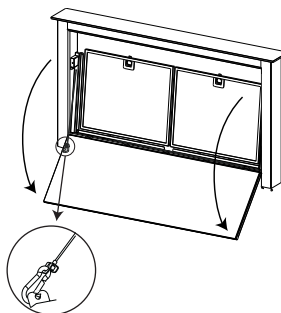
Προσοχή: Ο δέκτης του τηλεχειριστηρίου αρχικά είναι απενεργοποιημένος, για να τον ενεργοποιήσετε βλ. παράγραφο **Χρήση** Λειτουργία πλήκτρου **G**.



⏻	Μοτέρ	Πόρτα κλειστή: Η πόρτα ανοίγει, το μοτέρ ανάβει στην πρώτη ταχύτητα με τα φώτα στη μέγιστη ένταση.
		Πόρτα ανοιχτή: Σύντομη πίεση: Ανάβει / Σβήνει το μοτέρ Αν το πιέσετε για 2 δευτερόλεπτα: Κλείνει την πόρτα και μοτέρ + φώτα = Off
-		Μόνο με την πόρτα ανοιχτή: Μειώνει την ταχύτητα λειτουργίας σε κάθε πίεση.
+		Μόνο με την πόρτα ανοιχτή: Αυξάνει την ταχύτητα λειτουργίας σε κάθε πίεση.
ⓘ	Έντονη	Μόνο με την πόρτα ανοιχτή: Ενεργοποιεί την έντονη λειτουργία
⌚	Delay	Μόνο με την πόρτα ανοιχτή: Ενεργοποιεί τη λειτουργία Delay
☀	Φως	Μόνο με την πόρτα ανοιχτή: Σύντομη πίεση: Ανάβει / Σβήνει τα φώτα Αν το πιέσετε για 2 δευτερόλεπτα: Ανάβει / Σβήνει τα φώτα της πλαφονιέρας

Καθαρισμός των Comfort Panel

- Ανοίξτε το Comfort Panel τραβώντας το από το πάνω μέρος.
- Αποσυνδέστε το συρματόσχοινο ασφαλείας ανοίγοντας το άγκιστρο.
- Ελευθερώστε τη μονάδα από το σώμα του απορροφητήρα.
- Το comfort panel δεν πρέπει να πλένεται στο πλυντήριο.
- Καθαρίστε το εξωτερικό με ένα υγρό πανί και ουδέτερο υγρό απορρυπαντικό.
- Καθαρίστε το εσωτερικό με ένα υγρό πανί και ουδέτερο απορρυπαντικό. Μη χρησιμοποιείτε βρεγμένα υφάσματα ή σφουγγάρια, ούτε νερό υπό πίεση. Μη χρησιμοποιείτε διαβρωτικά προϊόντα.
- Στο τέλος συνδέστε και πάλι το πάνελ και το άγκιστρο στο σώμα του απορροφητήρα και κλείστε το.



Μεταλλικά φίλτρα για λίπη

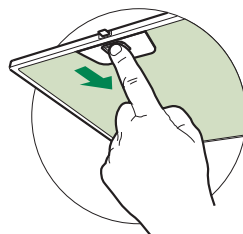
Μπορούν επίσης να πλυθούν στο πλυντήριο πιάτων και απαιτούν πλύσιμο όταν ανάβει το πλήκτρο **B** ή τουλάχιστον κάθε 2 μήνες χρήσης ή συχνότερα σε περίπτωση ιδιαίτερα συχνής χρήσης.

Μηδενισμός του συναγερμού

- Σβήστε τα φώτα και το μοτέρ αναρρόφησης.
- Πιέστε το πλήκτρο **B** για 2 δευτερόλεπτα.

Καθαρισμός φίλτρων

- Ανοίξτε την πόρτα (βλ. παράγραφο Χρήση).
- Ανοίξτε το Comfort Panel τραβώντας το.
- Βγάλτε τα φίλτρα ένα-ένα πιέζοντας προς το πίσω μέρος και τραβώντας ταυτόχρονα προς τα κάτω.
- Πλύνετε τα φίλτρα χωρίς να τα στραβώσετε και αφήστε τα να στεγνώσουν πριν τα τοποθετήσετε στη θέση τους. (Η ενδεχόμενη αλλαγή χρώματος της επιφάνειας του φίλτρου με την πάροδο του χρόνου, δεν επηρεάζει με κανένα τρόπο την απόδοσή του.)
- Τοποθετήστε τα έτσι ώστε η λαβή να παραμείνει προς το εξωτερικό μέρος.
- Κλείστε το Comfort Panel.



Φίλτρα ενεργού άνθρακα για οσμές (Μοντέλο ανακύκλωσης)

Μπορεί να πλυθεί και στο πλυντήριο πιάτων. Πρέπει να καθαρίζεται όταν αναβοσβήνει το πλήκτρο **B** ή τουλάχιστον κάθε 4 μήνες ή συχνότερα, σε περίπτωση έντονης χρήσης, εξασφαλίζοντας τη λειτουργία το πολύ έως 5 πλυσίματα πριν από την αντικατάσταση. Η σήμανση συναγερμού, αν έχει προηγουμένως ενεργοποιηθεί, εμφανίζεται μόνον όταν λειτουργεί το μοτέρ αναρρόφησης.

Ενεργοποίηση του συναγερμού

- Στους απορροφητήρες μοντέλο ανακύκλωσης, η σήμανση του συναγερμού κορεσμού φίλτρων ενεργοποιείται κατά την εγκατάσταση ή στη συνέχεια.
- Σβήστε τα φώτα και το μοτέρ αναρρόφησης.
- Πιέστε το πλήκτρο **F** για 2 δευτερόλεπτα:
 - 2 αναβοσβήματα πλήκτρου Led **B** - Συναγερμός κορεσμού φίλτρου ενεργού άνθρακα ΕΝΕΡΓΟΠΟΙΗΜΕΝΟΣ.
 - 1 αναβόσβημα πλήκτρου Led **B** - Συναγερμός κορεσμού φίλτρου ενεργού άνθρακα ΑΠΕΝΕΡΓΟΠΟΙΗΜΕΝΟΣ.

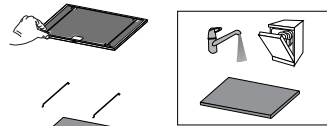
ΑΝΤΙΚΑΤΑΣΤΑΣΗ ΦΙΛΤΡΟΥ ΕΝΕΡΓΟΥ ΑΝΘΡΑΚΑ

Μηδενισμός του συναγερμού

- Σβήστε τα φώτα και το μοτέρ αναρρόφησης.
- Πιέστε το πλήκτρο **B** για 2 δευτερόλεπτα.

Αντικατάσταση φίλτρου

- Αφαιρέστε το comfort panel.
- Αφαιρέστε τα μεταλλικά φίλτρα για λίπη.
- Βγάλτε τις μεταλλικές ασφάλειες από το φίλτρο για λίπη και καθαρίστε το κορεσμένο φίλτρο ενεργού άνθρακα για οσμές.
- Τοποθετήστε το καθαρό φίλτρο ενεργού άνθρακα στερεώνοντάς το με τις μεταλλικές ασφάλειες στο φίλτρο για λίπη.
- Τοποθετήστε τα μεταλλικά φίλτρα για λίπη.
- Κλείστε το comfort panel.



Φωτισμός

Προσοχή: Αυτή η συσκευή διαθέτει λευκό φως LED κλάσης 1M σύμφωνα με το πρότυπο EN 60825-1: 1994 + A1:2002 + A2:2001. Μέγιστη εκπεμπόμενη οπτική ισχύς @439nm: 7μW. Μην κοιτάζετε απευθείας με οπτικά όργανα (κιάλια, μεγεθυντικός φακός...).

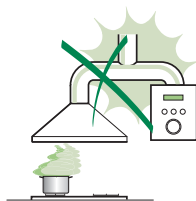
- Για την αντικατάσταση απευθυνθείτε στο Σέρβις. ("Για την αγορά απευθυνθείτε στο Σέρβις").

СОВЕТЫ И РЕКОМЕНДАЦИИ

- △ В Инструкциях по эксплуатации описаны различные модели прибора. Поэтому вы можете встретить описание некоторых характеристик, не относящихся к приобретенному вами прибору.

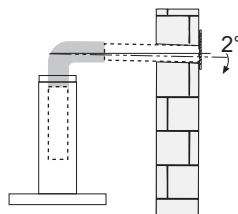
УСТАНОВКА

- Изготовитель не несет ответственность за убытки, возникающие в результате неправильной установки или эксплуатации прибора.
- Безопасное расстояние между варочной панелью и всасывающей вытяжкой должно быть не менее 650 мм (некоторые модели можно устанавливать ниже; см. раздел, посвященный рабочим размерам и операциям по установке прибора).

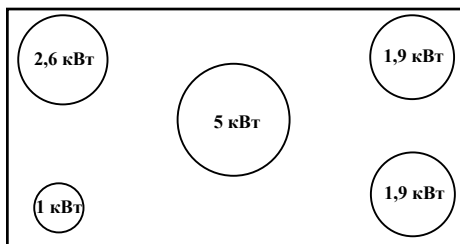


- Проверьте соответствие напряжения сети указанному на табличке, закрепленной внутри вытяжки.
- Для приборов класса I проверьте, чтобы в электрической сети вашего дома была предусмотрена соответствующая система заземления. Соедините вытяжку с дымоходом с помощью трубы минимального диаметра 120 мм. Труба для отведения дыма должна быть как можно короче.
- Не соединяйте всасывающую вытяжку с дымоходами, по которым выводится дым, образующийся в процессе горения (например, отопительные котлы, камины и проч.).

- Если вытяжной аппарат используется в сочетании с приборами, работающими не от электрического тока (например, газовые приборы), помещение должно хорошо проветриваться во избежание обратного потока отходящих газов. Для притока в помещение свежего воздуха на кухне должно быть предусмотрено выходящее на улицу окно. При пользовании кухонной вытяжкой в сочетании с приборами, работающими не от электрического тока, отрицательное давление в помещении не должно превышать 0,04 мбар с тем, чтобы дым не всасывался вытяжкой обратно в помещение.
- Во избежание опасности в случае повреждения кабеля питания, он должен быть заменен изготовителем или специалистами отдела технического обслуживания.



- Если в инструкциях по установке газовой плиты сказано, что расстояние до вытяжки должно быть больше указанного выше, следует придерживаться предписанных размеров. Соблюдайте все нормативные требования по отведению отработанного воздуха.
- Используйте только винты и метизы, пригодные для установки вытяжки.
Предупреждение: использование винтов и зажимных устройств, не соответствующих указаниям данных инструкций, может привести к возникновению опасных ситуаций и к электрическим ударам.
- Соедините вытяжку с сетью питания с помощью двухполюсного выключателя с минимальным разведением контактов 3 мм.
- Вытяжку можно использовать в сочетании с газовой варочной панелью, имеющей указанные ниже характеристики.
- Максимальная мощность 12,4 кВт
- 5 горелок, как показано на рисунке



ЭКСПЛУАТАЦИЯ

- Всасывающая вытяжка предназначена только для применения в быту для удаления из кухни запахов от готовки.
- Никогда не пользуйтесь вытяжкой в иных целях, отличных от тех, для которых она предназначена.
- Никогда не оставляйте высокое пламя под вытяжкой, находящейся в работе.
- Регулируйте силу пламени таким образом, чтобы оно оставалось под дном емкости для готовки и не вырывалось за его пределы.
- При готовке во фритюрнице постоянно следите за ее работой: сильно нагретое масло может воспламениться.
- Не готовьте блюда фламбе под вытяжкой: опасность возникновения пожара.
- Прибором могут пользоваться дети старше 8 лет и лица с ограниченными психическими, физическими и сенсорными способностями, а также не имеющие достаточного опыта и знаний, но только под присмотром ответственных лиц и при условии, что они обучены безопасной эксплуатации прибора и знают о связанных с его неправильным использованием опасностях. Следите, чтобы дети не играли с прибором. Очистку и уход за прибором должен обеспечивать пользователь, такие действия могут выполнять и дети, но только под надзором взрослых..




- “ **ВНИМАНИЕ:** доступные части вытяжки могут сильно нагреваться во время работы газовых приборов.

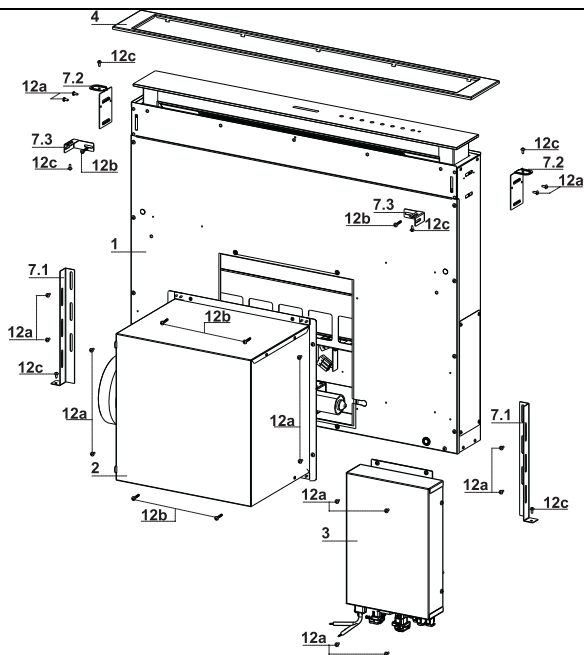
УХОД

- Перед выполнением любой операции по очистке и уходу выключите или отсоедините прибор от электрической сети.
- Очищайте и/или заменяйте фильтры по истечении указанного периода времени (опасность возникновения пожара).
- Жировые фильтры необходимо очищать раз в 2 месяца работы или чаще в случае очень интенсивного использования прибора; жировые фильтры можно мыть в посудомоечной машине.
- Фильтр на активированном угле нельзя мыть и восстанавливать, его следует менять примерно раз в 4 месяца работы или чаще в случае очень интенсивного использования прибора.
- Очищайте вытяжку влажной тряпкой, смоченной в нейтральном жидком моющем веществе.



Символ  на изделии или на упаковке указывает, что прибор нельзя выбрасывать, как обычный бытовой мусор. Прибор, подлежащий уничтожению, необходимо сдать в специальный сборный пункт для повторного использования электрических и электронных компонентов. Пользователь, правильно сдающий прибор на переработку, помогает предотвратить потенциальные негативные последствия для окружающей среды и для здоровья людей, возникающие в случае неправильного его уничтожения. За более подробной информацией о вторичном использовании прибора обращайтесь в городской совет, в местную службу по переработке отходов или в магазин, где прибор был приобретен.

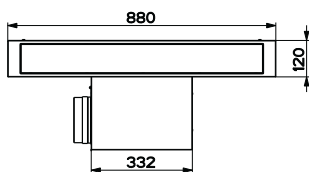
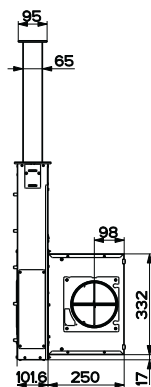
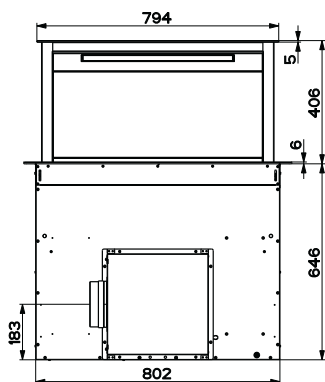
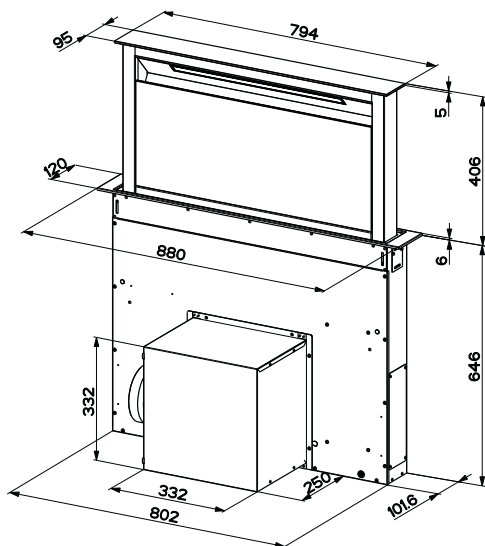
ХАРАКТЕРИСТИКИ



Части

Об.	Кол.	Части изделия
1	1	Корпус вытяжки в комплекте с устройствами управления, освещением, фильтрами
2	1	Двигатель
3	1	Электрооборудование
4	1	Передняя рамка
Об.	Кол.	Установочные компоненты
7.1	2	Кронштейн крепления к заднику
7.2	2	Кронштейн крепления к плоскости
7.3	2	Боковой кронштейн
12a	16	Винты 3,5 x 9,5
12b	6	Винты M4 x 8
12c	6	Винты 4 x 15
Кол.	Документация	
1	Инструкции по эксплуатации	

Габариты



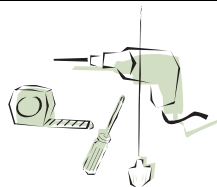
УСТАНОВКА

Вытяжка предназначена для установки внутри кухонной полки и может работать в двух режимах.

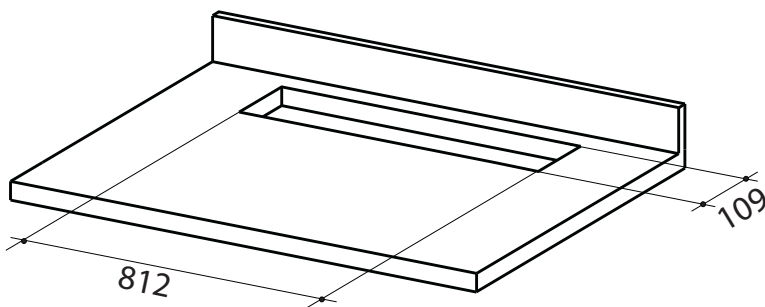
- **Режим всасывания:** воздух выводится наружу.
- **Режим фильтрации:** внутренняя рециркуляция воздуха.

Последовательность операций по установке

- Подготовка отверстия в полке и установка вытяжки
- Соединения
- Функциональная проверка
- Уничтожение упаковочных материалов



Подготовка отверстия в опорной плоскости

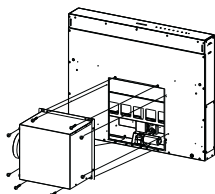


Важный

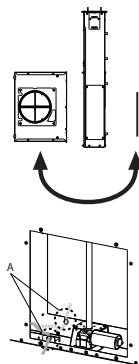
Минимальное расстояние между отверстием для варочной панели и один для всасывания должна быть не менее **3-5 см** в зависимости от сопротивления материала, используемого для верхнего.

Установка корпуса вытяжки на плоскости снизу вверх

- Конструкция вытяжки предусматривает переднее расположение двигателя.

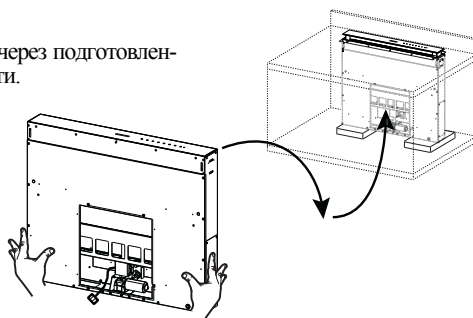


- Если структура кухонной мебели другая и необходимо, чтобы двигатель находился с задней стороны вытяжки, следует снять заглушку с задней стороны корпуса прибора и установить ее спереди. Также измените положение провода с кабельным зажимом для соединения его с двигателем; для этого пропустите его через отверстие, предусмотренное с каждой стороны (А).

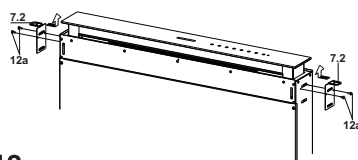


Затем прикрепите двигатель к корпусу вытяжки (см. раздел Установка двигателя).

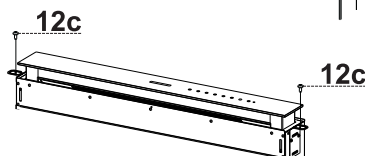
- Вставьте корпус вытяжки снизу вверх через подготовленное ранее отверстие в опорной плоскости.
- С помощью опор поднимите корпус вытяжки, чтобы его передняя сторона поднялась над варочной панелью.



- Вставьте кронштейны 7.2, как показано на рисунке, в специальные отверстия и закрепите их прилагаемыми винтами 12а.
- Выставьте корпус вытяжки по центру относительно отверстия над варочной панелью.



- С помощью 2 прилагаемых винтов 12с прикрепите корпус вытяжки к плоскости и удалите опоры.

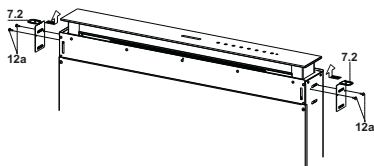


Внимание:

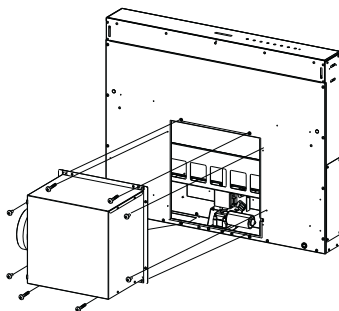
если материал, из которого изготовлена варочная панель, не позволяет привинтить винты 12с, воспользуйтесь небольшим количеством силикона, чтобы приклеить кронштейны 7.2 к панели, и дайте ему как следует высохнуть, прежде чем продолжить установку.

Установка корпуса вытяжки на плоскости сверху вниз

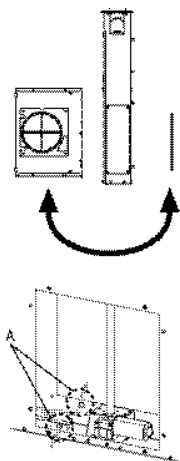
- Вставьте кронштейны 7.2, как показано на рисунке, в специальные отверстия и закрепите их прилагаемыми винтами 12а.



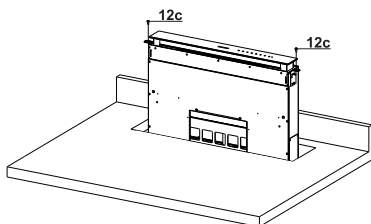
- Конструкция вытяжки предусматривает переднее расположение двигателя.



- Если структура кухонной мебели другая и необходимо, чтобы двигатель находился с задней стороны вытяжки, следует снять заглушку с задней стороны корпуса прибора и установить ее спереди. Также измените положение провода с кабельным зажимом для соединения его с двигателем; для этого пропустите его через отверстие, предусмотренное с каждой стороны (А).



- Вставьте корпус вытяжки в подготовленное ранее отверстие в опорной плоскости.
- Выставьте корпус вытяжки по центру относительно отверстия над варочной панелью.
- Закрепите корпус вытяжки 2 прилагаемыми винтами 12с.

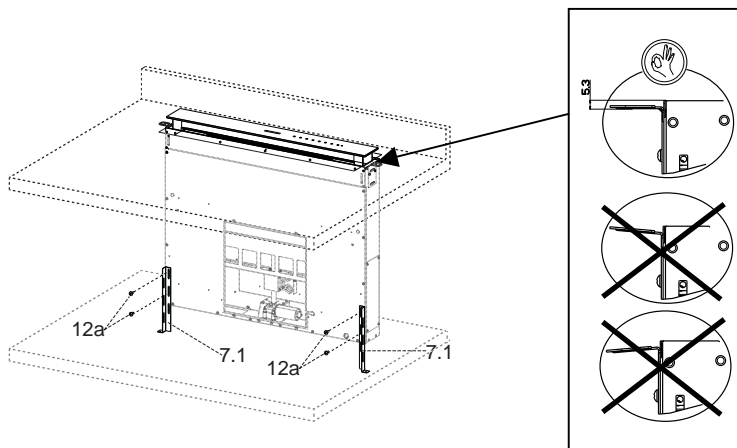


Внимание:

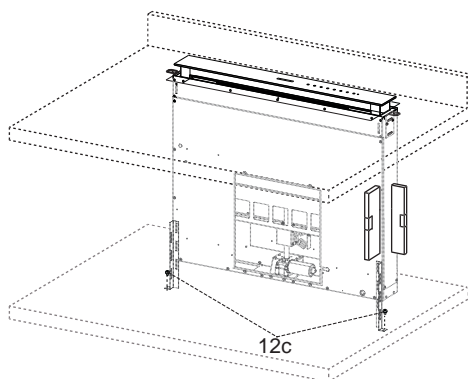
если материал, из которого изготовлена варочная панель, не позволяет привинтить винты 12с, воспользуйтесь небольшим количеством силикона, чтобы приклеить кронштейны 7.2 к панели, и дайте ему как следует высохнуть, прежде чем продолжить установку.

Крепление нижних кронштейнов

- Прикрепите кронштейны **7.1** спереди к корпусу вытяжки прилагаемыми в комплекте винтами **12a**.
- Прежде чем окончательно затянуть крепление кронштейнов, отрегулируйте их положение так, чтобы они опирались на нижнее основание полки, не деформируя при этом верхние кронштейны **7.2**, как показано на рисунке.



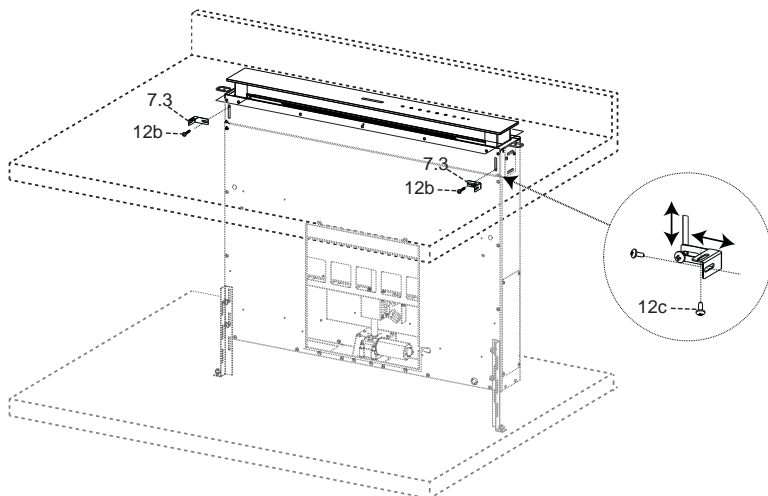
- С помощью уровня выставите корпус вытяжки по вертикали и закрепите его к нижней полке прилагаемыми в комплекте 2 винтами **12c**.



- Окончательно затяните винты **12a**.

Крепление прямоугольных кронштейнов

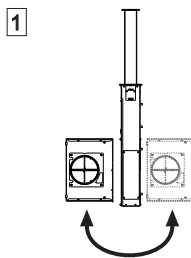
- Прикрепите кронштейны **7.3** к корпусу вытяжки прилагаемыми в комплекте винтами **12b**, не затягивая.
- Привинтите прилагаемыми винтами **12c** вторую половину кронштейнов **7.3** к боковым стенкам мебели или к нижней части варочной панели.



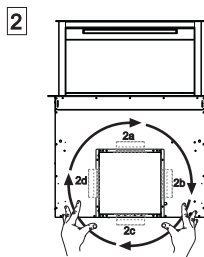
- Окончательно затяните винты **12c** и **12b**.

Крепление двигателя

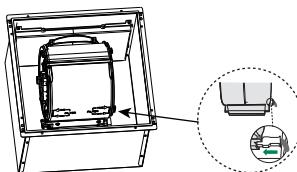
- Решение об установке двигателя (1) спереди или сзади зависит от структуры кухонной мебели; при этом следует убедиться в правильном положении заглушки.



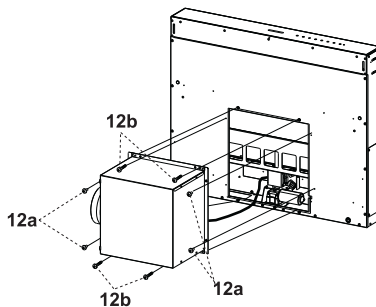
- Затем в зависимости от положения выпускного отверстия воздуха в полке двигатель можно поворачивать на 90° с тем, чтобы воздух мог выходить со всех 4 сторон для совмещения с отверстием в мебели (2).



- Соедините разъем корпуса вытяжки с разъемом двигателя.

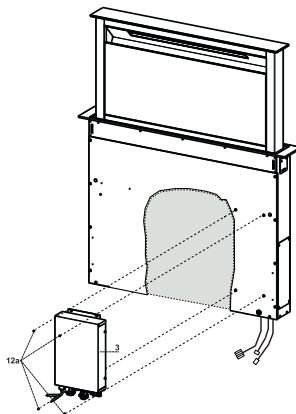


- Привинтите двигатель к корпусу вытяжки прилагаемыми винтами 12a и 12b, как показано на рисунке.

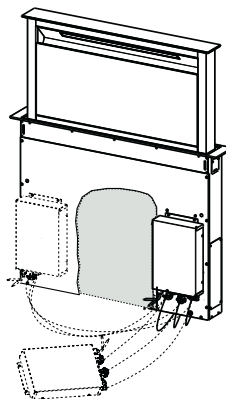


Крепление распределительной коробки

- Соедините электрические провода, выходящие с правой нижней стороны корпуса вытяжки, с разъемами распределительной коробки.
- Каждому кабельному разъему соответствует разъем в распределительной коробке; будьте внимательны, чтобы не ошибиться в их соединении.



- Прикрепите распределительную коробку к корпусу вытяжки прилагаемыми в комплекте винтами **12а**.
- Показанное на рисунке положение распределительной коробки ориентировочно; ее можно закрепить с левой стороны корпуса вытяжки или даже оставить в свободном состоянии на полке, если этому не мешают особенности конструкции или условия безопасности.



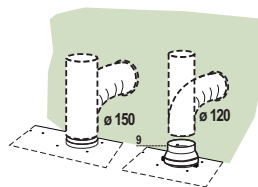
⚠ Внимание: не устанавливайте вытяжку так, чтобы распределительная коробка касалась пола.

Соединения

ВЫПУСК ВОЗДУХА ИЗ ВСАСЫВАЮЩЕЙ ВЫТЯЖКИ

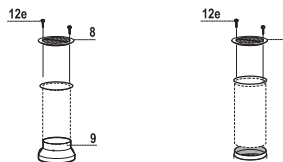
Для установки всасывающей вытяжки соединить ее с выпускной трубой жесткой или гибкой трубкой диаметром 150 или 120 мм, тип которой может выбрать монтажник.

- Для соединения трубкой Ø 120 мм вставить переходный фланец **9** в выпускное отверстие корпуса вытяжки.
- Закрепить трубку соответствующими трубными зажимами. Необходимый крепежный материал не входит в комплект.
- Вынуть фильтры от запахов на активном угле.



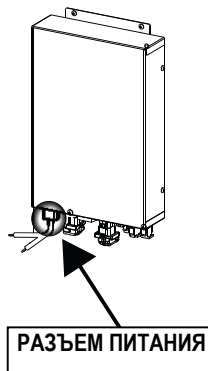
ВЫПУСК ВОЗДУХА В РЕЖИМЕ ФИЛЬТРАЦИИ

- Соедините фланец с выпускным отверстием воздуха жесткой или гибкой трубкой Ø 120 или 150 мм.
- Для соединения с трубкой Ø 120 мм вставьте переходный фланец **9** в выпускное отверстие в корпусе вытяжки.
- Закрепите трубку специальными трубными зажимами. Необходимый материал не входит в комплект поставки.
- Закрепите регулируемую решетку **8** на выпуске воздуха 2 прилагаемыми в комплекте винтами **12e** (2,9 x 9,5).
- Проверьте наличие фильтров против запахов на активированном угле (см. раздел Обслуживание фильтров на активированном угле).



ЭЛЕКТРИЧЕСКОЕ ПОДКЛЮЧЕНИЕ

- Соединить вытяжку с сетевым напряжением, установив двухполюсный выключатель с разведением контактов не менее 3 мм.



Установка передней рамки

- Поднимите подвижный корпус вытяжки (см. раздел Эксплуатация) всего на несколько сантиметров.
- Чтобы заблокировать его движение, прижмите поднимаемый корпус вниз.

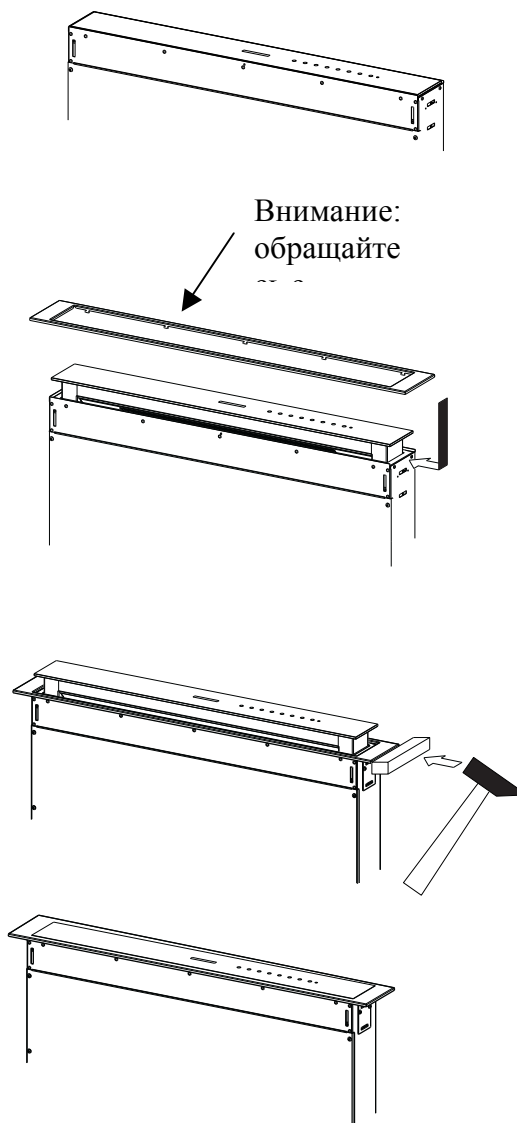
Внимание: никогда не останавливайте движение раздвижной створки во время открытия или закрытия; это допускается только в ходе установки рамки.

- Выньте прокладки из губки из углов стекла.
- Вставьте переднюю рамку сверху; проследите, чтобы язычки рамки вошли в специальные отверстия на вытяжке; сдвиньте рамку влево.

Внимание: все язычки должны находиться в отверстиях.

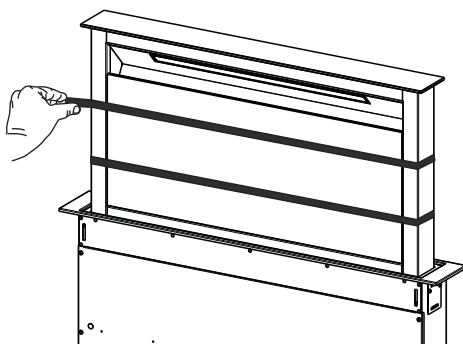
- Чтобы сдвинуть переднюю рамку до упора, постучите по ней справа налево инструментом (молотком). Чтобы не повредить рамку, подложите под молоток деревяшку соответствующего размера.

- См. раздел Эксплуатация, чтобы привести подвижный корпус вытяжки в стандартное положение.

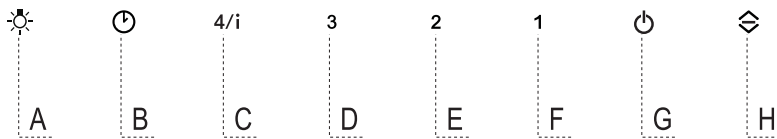


Панель всасывания по периметру

- Откройте створку вытяжки (см. раздел Эксплуатация).
- Удалите 2 полоски клейкой ленты, служащие только для безопасной перевозки панели.



ЭКСПЛУАТАЦИЯ



Панель управления

Кнопка	Функция	Кнопка с индикатором
A	Кнопка действует только при открытой створке. Краткое нажатие = включает и выключает освещение максимальной яркости. Нажатие в течение 2 секунд = включает и выключает лампы подсветки .	
B	Действует только при открытой створке. Краткое нажатие = включает и выключает функцию Задержка : автоматическое выключение с задержкой 30 секунд двигателя и системы освещения из любой скорости настройки. Отключается нажатием этой же кнопки, выключением двигателя или закрытием створки. Действует как при открытой, так и при закрытой створке. Нажатие в течение 2 секунд = при наличии аварийного сигнала фильтров выполняется Сброс сигналов, все светодiodы 3 вспышки. Указанная сигнализация видна только при отключенном двигателе.	Включена кнопка с индикатором B и кнопка настроенной скорости.
C	Действует только при открытой створке. Краткое нажатие = включает четвертую скорость . Действует только при открытой створке. Нажатие в течение 2 секунд = включает и выключает интенсивную скорость. Такая скорость ограничена таймером на 6 минут. По истечении этого времени прибор возвращается к работе на настроенной ранее скорости. Отключается нажатием этой же кнопки, выключением двигателя или закрытием створки.	Кнопка с горящим индикатором. указывает на необходимость помыть металлические жаровые фильтры. Сигнал включается после 100 часов фактической работы выпяжки. Кнопка с мигающим индикатором: указывает на необходимость заменить фильтры на активированном угле, а также помыть металлические жаровые фильтры. Сигнал включается после 200 часов фактической работы выпяжки.
D	Действует только при открытой створке. Включает третью скорость .	Кнопка с горящим индикатором
E	Действует только при открытой створке. Включает и выключает вторую скорость . Действует как при открытой, так и при закрытой створке, и при выключенном двигателе и освещении. Нажатие в течение 4 секунд = включает и выключает блокировку кнопочной панели .	Кнопка с горящим индикатором Все кнопки с индикаторами мигают 2 раза. Во время блокировки кнопки с индикатором включаются последовательно.
F	Действует только при открытой створке. Краткое нажатие = включает и выключает первую скорость .	Кнопка с горящим индикатором
G	Створка открыта или закрыта Нажатие в течение 2 секунд = включает и выключает аварийный сигнал фильтров на активированном угле , когда двигатель выключен и нет сигнала фильтров. Краткое нажатие = двигатель выключается	2 вспышки кнопки с индикатором B = включен аварийный сигнал фильтров на активированном угле 1 вспышка кнопки с индикатором B = выключен аварийный сигнал фильтров на активированном угле
H	Створка открыта = створка закрывается , освещение и двигатель выключаются Створка закрыта = створка открывается , освещение и двигатель включаются. Внимание: если по какой-либо причине створка частично открыта, нажатие кнопки позволяет завершить ее цикл открытия или закрытия.	Выключение кнопки с индикатором 2 вспышки кнопки с индикатором G + F = пульт ДУ включен 1 вспышка кнопки с индикатором G + F = пульт ДУ выключен

ПУЛЬТ ДИСТАНЦИОННОГО УПРАВЛЕНИЯ (ДОПОЛНИТЕЛЬНО)

Данным прибором можно управлять пультом дистанционного управления на щелочных батарейках с угольным элементом 1,5 В стандартного типа LR03-AAA (не включено в комплект поставки).


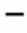




- Не оставлять пульт вблизи от источников тепла.
- Не выбрасывать батарейки вместе с обычным мусором, складывать их в специальные сборные емкости.



Панель пульта ДУ

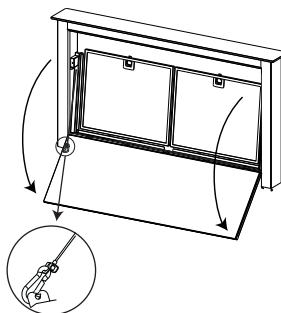
Внимание: изначально приемное устройство пульта управления отключено, см. способ его включения в разделе **Использование** функций кнопки **G**.



	Двигатель	Створка закрыта: открывает створку, включает двигатель на первой скорости и освещение максимальной яркости. Створка открыта: Краткое нажатие: Вкл / Выкл двигателя При нажатии в течение 2 секунд: створка закрывается, освещение и двигатель выключаются
		Только при открытой створке: снижает скорость работы при каждом нажатии.
		Только при открытой створке: повышает скорость работы при каждом нажатии.
	Интенсивная	Только при открытой створке: включает функцию интенсивной скорости
	Задержка	Только при открытой створке: включает функцию Задержка
	Освещение	Только при открытой створке: краткое нажатие: Вкл / Выкл освещения При нажатии в течение 2 секунд: Вкл / Выкл ламп подсветки

Очистка передней панели

- Чтобы открыть, потяните на себя верхнюю часть передней панели.
- Отсоедините предохранительный провод и откройте карабин.
- Отсоедините панель от корпуса вытяжки.
- Ни в коем случае не мойте переднюю панель в посудомоечной машине.
- Очистите панель снаружи влажной тряпкой, смоченной в нейтральном жидком моющем веществе.
- Очистите панель также изнутри влажной тряпкой с нейтральным моющим веществом. Не пользуйтесь для этого мокрыми тряпками, губками и абразивными составами и не направляйте на панель струи воды.
- По завершении операции установите панель и карабин на корпус вытяжки и закройте ее.



Металлические жировые фильтры

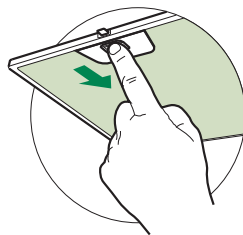
Фильтры можно мыть также в посудомоечной машине. Их следует мыть, когда загорается кнопка **В** и не реже одного раза в 2 месяца работы, или даже чаще в случае особенно интенсивного использования вытяжки.

Сброс аварийного сигнала

- Выключите освещение и двигатель системы всасывания.
- Нажмите кнопку **В** в течение 2 секунд.

Очистка фильтров

- Откройте створку (см. раздел Эксплуатация).
- Потяните на себя и откройте переднюю панель вытяжки.
- По очереди выньте фильтры. Для этого прижмите их к задней стенке вытяжки и одновременно надавите вниз.
- Осторожно помойте фильтры, чтобы они не согнулись, и перед установкой дайте им просохнуть. (Появляющееся со временем изменение цвета поверхности фильтров совершенно не влияет на качество их работы.)
- Поставьте фильтры на место так, чтобы ручка находилась с видимой наружной стороны.
- Закройте переднюю панель.



Угольные фильтры, предотвращающие появление запахов (исполнение с рециркуляцией)

Эти фильтры допускают мойку в посудомоечной машине. Чистку фильтров необходимо выполнять, когда мигает кнопка **В** или не реже одного раза в 4 месяца или чаще в случае очень интенсивного пользования вытяжкой. Эффективность фильтров сохраняется при выполнении не более 5 случаев мойки; после этого фильтры следует заменить. Если сигнализация насыщения фильтров приведена в состояние готовности (активное состояние), то она срабатывает только тогда, когда включен двигатель всасывания.

Приведение сигнализации в состояние готовности

- В вытяжках с режимом рециркуляции сигнализация насыщения фильтров должна быть включена (приведена в активное состояние) при установке или после нее.
- Выключите освещение и двигатель вытяжного вентилятора.
- Нажмите кнопку **F** на 2 секунды:
 - 2 вспышки индикатора **В** - Сигнализация насыщения угольного фильтра **ВКЛЮЧЕНА**.
 - 1 вспышка индикатора **В** - Сигнализация насыщения угольного фильтра **ВЫКЛЮЧЕНА**.

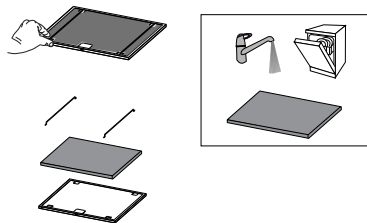
ЗАМЕНА ФИЛЬТРА ПРОТИВ ЗАПАХОВ НА АКТИВИРОВАННОМ УГЛЕ

Сброс аварийного сигнала

- Выключите освещение и двигатель системы всасывания.
- Нажмите кнопку **В** в течение 2 секунд.

Замена фильтра

- Снимите переднюю панель.
- Выньте металлические жировые фильтры.
- Снимите металлические фиксаторы с жирового фильтра и очистите насыщенный фильтр против запахов на активированном угле.
- Поставьте на место очищенный фильтр против запахов на активированном угле, соединив его фиксаторами с жировым фильтром.
- Поставьте на место металлические жировые фильтры.
- Закройте переднюю панель.



Освещение

Внимание: Прибор оборудован светодиодом белого цвета класса 1M согласно стандарту EN 60825-1: 1994 + A1:2002 + A2:2001; максимальная мощность оптического излучения @439nm: 7 микроватт. Не рекомендуется смотреть на светодиод через оптические приборы (бинокль, увеличительное стекло и проч.).

- Для замены светодиода обращайтесь в обслуживающий центр. ("Для приобретения обращайтесь в обслуживающий центр").

CE