

OPERATING INSTRUCTIONS  
GEBRAUCHSANWEISUNG  
INSTRUCȚIUNE DE DESERVIRE  
HASZNÁLATI UTASÍTÁS  
ИНСТРУКЦИЯ ЗА ОБСЛУЖВАНЕ  
ИНСТРУКЦИЯ ПО ЭКСПЛУАТАЦИИ  
ПАЙДАЛАНУ БОЙЫНША НҰСҚАУ  
NAUDOJIMO INSTRUKCIJA  
LIETOŠANAS INSTRUKCIJA  
KASUTUSJUHEND  
UPUTSTVO ZA UPOTREBU

EN  
DE  
RO  
HU  
BG  
RU  
KK  
LT  
LV  
ET  
SR

**Kitchen extractor hood / Unterbauhaube / Hotă  
pentru plită / Páraelszívó / Кухненски абсорбатор /  
Корпус вытяжки / Асүй плитасы үстіндегі сіңіргіш  
/ Gartraukio korpusas / Tvaika nosūcēja korpusš /  
Pliidipealne õhupuhasi / Korpus nape**



**OTР5233IH / OTР5233WH /  
OTР6233IH / OTР6233WH /  
OTР6233BH**



# EN- Table of contents

<b>NOTES ON SAFETY</b>	<b>7</b>
<b>UNPACKING</b>	<b>10</b>
<b>DISPOSAL OF OLD APPLIANCE</b>	<b>10</b>
<b>OPERATION</b>	<b>11</b>
KITCHEN HOOD CONTROLS	11
OTHER IMPORTANT INFORMATION CONCERNING THE OPERATION OF THE HOOD	12
<b>CLEANING AND MAINTENANCE</b>	<b>13</b>
MAINTENANCE	13
GREASE FILTER	13
ACTIVATED CHARCOAL FILTER	13
LIGHT	13
<b>WARRANTY AND AFTER SALES SERVICE</b>	<b>14</b>
WARRANTY	14

# DE- Inhaltsverzeichnis

<b>SICHERHEITSHINWEISE</b>	<b>16</b>
<b>AUSPACKEN</b>	<b>20</b>
<b>ENTSORGUNG VON ALTGERÄTEN</b>	<b>20</b>
<b>BEDIENUNG</b>	<b>21</b>
STEUERUNG DER DUNSTABZUGSHAUBE	21
ANDERE WICHTIGE INFORMATIONEN ZUR BEDIENUNG DER DUNSTABZUGSHAUBE	22
<b>REINIGUNG UND WARTUNG</b>	<b>22</b>
WARTUNG	22
FETTFILTER	23
AKTIVKOHLEFILTER	23
BELEUCHTUNG	23
<b>GARANTIE, NACHVERKAUF-SERVICE</b>	<b>24</b>
GARANTIE	24

# RO - Cuprins

<b>INDICAȚII PRIVIND SIGURANȚA</b>	<b>26</b>
<b>DESPĂCHETARE</b>	<b>30</b>
<b>ÎNDEPARTAREA DISPOZITIVELOR UZATE</b>	<b>30</b>
<b>OPERARE</b>	<b>31</b>
PANOUL DE CONTROL	31
ALȚE INFORMAȚII IMPORTANTE PENTRU OPERAREA HOȚEI	32
<b>CURĂȚAREA ȘI ÎNȚEȚINEREA</b>	<b>33</b>
ÎNȚEȚINERE	33
FILTRUL ÎMPOTRIVA GRĂSIMILOR	33
FILTRUL DE CARBON	33
SISTEM DE ILUMINARE	33
<b>GARANȚIE, SERVICII POSTVÂNZARE</b>	<b>34</b>
GARANȚIA	34

# HU - Tartalomjegyzék

<b>BIZTONSÁGI UTASÍTÁSOK</b>	<b>36</b>
<b>KICSOMAGOLÁS</b>	<b>40</b>
<b>A HASZNÁLT KÉSZÜLÉKEK ELTÁVOLÍTÁSA</b>	<b>40</b>
<b>HASZNALAT</b>	<b>41</b>
PÁRAELSZÍVÓ VEZÉRLÉSE	41
A PÁRAELSZÍVÓ MŰKÖDÉSÉVEL KAPCSOLATOS EGYÉB FONTOS INFORMÁCIÓK	42
<b>TISZTÍTÁS ÉS KARBANTARTÁS</b>	<b>43</b>
KARBANTARTÁS	43
ZSÍRSZŰRŐ	43
SZÉNSZŰRŐ	43
VILÁGÍTÁS	43
<b>GARANCIA ÉS VÁSÁRLÁS UTÁNI SZERVIZ</b>	<b>44</b>
GARANCIA	44

# BG - Съдържание

<b>ПРЕПОРЪКИ ОТНОСНО БЕЗОПАСНОСТТА</b>	<b>46</b>
<b>РАЗОПАКОВАНЕ</b>	<b>50</b>
<b>ОБЕЗВРЕЖДАНЕ НА ИЗНОСЕНИ УРЕДИ</b>	<b>50</b>
<b>ОБСЛУЖВАНЕ</b>	<b>51</b>
УПРАВЛЕНИЕ НА АБСОРБАТОРА	51
ДРУГИ ВАЖНИ ИНФОРМАЦИИ ЗА ОБСЛУЖВАНЕТО НА АБСОРБАТОРА	52
<b>ПОЧИСТВАНЕ И ПОДДРЪЖКА</b>	<b>53</b>
ПОДДРЪЖКА	53
ФИЛТЪР ЗА МАЗНИНИ	53
ВЪГЛЕН ФИЛТЪР	53
ОСВЕТЛЕНИЕ	53
<b>ГARANЦИЯ, СЛЕД ПРОДАЖБЕНО ОБСЛУЖВАНЕ</b>	<b>54</b>
ГARANЦИЯ	54

# RU - Содержание

<b>УКАЗАНИЯ ПО ТЕХНИКЕ БЕЗОПАСНОСТИ</b>	<b>56</b>
<b>РАСПАКОВКА</b>	<b>60</b>
<b>УТИЛИЗАЦИЯ ИЗНОШЕННОГО ОБОРУДОВАНИЯ</b>	<b>60</b>
<b>ЭКСПЛУАТАЦИЯ</b>	<b>61</b>
УПРАВЛЕНИЕ ВЫТЯЖКОЙ	61
ПРОЧАЯ ВАЖНАЯ ИНФОРМАЦИЯ О РАБОТЕ ВЫТЯЖКИ	62
<b>ЧИСТКА И УХОД</b>	<b>63</b>
КОНСЕРВАЦИЯ	63
ЖИРОУЛАВЛИВАЮЩИЙ ФИЛЬТР	63
УГОЛЬНЫЙ ФИЛЬТР	63
ОСВЕЩЕНИЕ	63
<b>ГARANЦИЯ, ПОСЛЕПРОДАЖНОЕ ОБСЛУЖИВАНИЕ</b>	<b>64</b>
ГARANЦИЯ	64

# KK - Мазмұны

<b>ҚАУІПСІЗДІК ТЕХНИКАСЫ БОЙЫНША НҰСҚАУЛАР</b>	<b>66</b>
<b>ОРАУДАН АШУ</b>	<b>70</b>
<b>ПАЙДАЛАНЫЛҒАН ҚҰРЫЛҒЫЛАРДЫ КӘДЕГЕ ЖАРАТУ</b>	<b>70</b>
<b>ПАЙДАЛАНУ</b>	<b>71</b>
СІҢІРГІШТИ БАСҚАРУ	71
СОҒҒЫШТЫҢ ЖҰМЫСЫ ТУРАЛЫ ӨЗГЕ МАҢЫЗДЫ АҚПАРАТ	72
<b>ТАЗАРТУ ЖӘНЕ КҮТІМ</b>	<b>73</b>
КОНСЕРВАЦИЯЛАУ	73
МАЙ АУЛАҒЫШ СҮЗГІ	73
БҰРЫШТЫҚ СҮЗГІ	73
ЖАРЫҚТАНДЫРУ	73
<b>КЕПІЛДІК, САТҚАННАН КЕЙІНГІ ҚЫЗМЕТ КӨРСЕТУ</b>	<b>74</b>
КЕПІЛДІК	74

# LT - Turinys

<b>SAUGOS NURODYMAI</b>	<b>76</b>
<b>IŠPAKAVIMAS</b>	<b>79</b>
<b>PANAUDOTŲ PRIETAISŲ ŠALINIMAS</b>	<b>79</b>
<b>NAUDOJIMAS</b>	<b>80</b>
GARTRAUKIO VALDYMAS	80
KITA SVARBI INFORMACIJA APIE GARTRAUKIO NAUDOJIMĄ	81
<b>VALYMAS IR PRIEŽIŪRA</b>	<b>82</b>
PRIEŽIŪRA	82
RIEBALŲ FILTRAS	82
ANGLINIS FILTRAS	82
APŠVIETIMAS	82
<b>GARANTIJA, PRIEŽIŪRA PO PARDAVIMO</b>	<b>83</b>
GARANTIJA	83

# LV - Satura rādītājs

<b>DROŠĪBAS NORĀDĪJUMI</b>	<b>85</b>
<b>IZSAIŅOŠANA</b>	<b>88</b>
<b>NOLIĒTOTO IERĪCU UTILIZĀCIJA</b>	<b>88</b>
<b>APKALPE</b>	<b>89</b>
TVAIKA NOSŪCĒJA VADĪBA	89
CIĒTA SVARĪGA INFORMĀCIJA PAR TVAIKA NOSŪCĒJA LIETOŠANU	90
<b>TĪRĪSANA UN KOPŠANA</b>	<b>91</b>
UZTURĒŠANA	91
PRETTAUKU FILTRS	91
OGLES FILTRS	91
APGAISMOJUMS	91
<b>GARANTIJAS UN PĒCGARANTIJAS PAKALPOJUMI</b>	<b>92</b>
GARANTIJA	92


# ET - Sisukord

<b>OHUTUSJUHISED</b>	<b>94</b>
<b>LAHTIPAKKIMINE</b>	<b>98</b>
<b>KASUTATUD SEADMETE UTILISEERIMINE</b>	<b>98</b>
<b>KÄSITSEMINE</b>	<b>99</b>
ÕHUPUHASTI JUHTIMINE	99
MUU OLULINE TEAVE ÕHUPUHASTI KASUTAMISE KOHTA	100
<b>PUHASTAMINE JA HOOLDUS</b>	<b>101</b>
HOOLDUS	101
RASVAFILTER	101
SÕEFILTER	101
VALGUSTUS	101
<b>GARANTII, MÜÜGIJÄRGNE HOOLDUS</b>	<b>102</b>
GARANTII	102

# SR - Sadržaj

<b>BEZBEDNOSNE NAPOMENE</b>	<b>104</b>
<b>UKLANJANJE PAKOVANJA</b>	<b>107</b>
<b>ODLAGANJE ISTROŠENIH UREĐAJA</b>	<b>107</b>
<b>UPOTREBA</b>	<b>108</b>
UPRAVLJANJE NAPOM	108
OSTALE VAŽNE INFORMACIJE O UPOTREBI NAPE	109
<b>ČIŠĆENJE I ODRŽAVANJE</b>	<b>110</b>
ODRŽAVANJE	110
FILTER ZA MASNOĆU	110
UGLJENI FILTER	110
OSVETLJENJE	110
<b>GARANCIJA, USLUGE POSLE PRODAJE</b>	<b>111</b>
GARANCIJA	111

# Dear customer,

From now on, your daily housework will be easier than ever before. Your appliance  is exceptionally easy to use and extremely efficient. After reading these Operating Instructions, operating the appliance will be easy.

Before being packaged and leaving the manufacturer, the appliance was thoroughly checked with regard to safety and functionality.

Before using the appliance, please carefully read these Operating Instructions. By following these instructions carefully you will be able to avoid any problems in using the appliance. It is important to keep these Operating Instructions and store them in a safe place so that they can be consulted at any time.

**Follow these instructions carefully in order to avoid possible accidents.**

Sincerely,

 **Hansa**  
Haushaltsgeräte

# NOTES ON SAFETY

- Before using the appliance, please carefully read this manual!
- The appliance is designed for household use only.
- The manufacturer reserves the right to introduce changes, which do not affect operation of the appliance.
- The manufacturer shall not be liable for any damage or fire caused by the appliance resulting from failure to follow instructions in this manual.
- Cooker hood is designed to remove cooking odours. Do not use cooker hood for other purposes.
- Connect the cooker hood operating in extraction mode to a suitable ventilation duct (do NOT connect the cooker to smoke or flue gas ducts, which are in use). It requires installation of the air extraction duct to the outside. The length of the duct (usually a pipe of Ø 120 or 150 mm) should not be longer than 4-5 m. An air extraction duct is also required for telescopic and furniture hoods in absorption mode.
- Cooker hood operating in air recirculation mode requires the installation of an activated charcoal filter. In this case, installing an extractor duct is not required, however it is recommended to install an air guide vane (Mainly in chimney cooker hoods).
- The cooker hood features independent lighting and exhaust fan that can be operated at one of several speeds.
- Depending on the type, the hood is designed to be permanently attached to a vertical wall over a gas or electric stove (chimney and universal hoods); on the ceiling over a gas or electric stove (island hoods); on the vertical built in furniture

over a gas or electric stove (telescopic and built-in hoods). Before installing, make sure that the wall/ceiling structure is strong enough to suspend the hood. Some hoods are very heavy.

- For details of the installation distance above an electric hob please refer to product technical sheet. If the installation instructions of the gas cooker specify a greater distance, this must be taken into account (Fig. 1).
- Do not leave an open flame under the hood. When the pots are removed from the burner, set the minimum flame. Always make sure that the flame does not extend outside the pot, because it causes unwanted loss of energy and a dangerous concentration of heat.
- When cooking on fat, supervise the pans constantly, because overheated fat can ignite.
- Unplug the appliance before any cleaning, replacing the filter or repair work.
- Cooker hood grease filter should be cleaned at least once a month, because the filter saturated with fat is flammable.
- Ensure adequate ventilation (air flow) if other equipment such as liquid fuel stoves or heaters are operated in the room in addition to the cooker hood. When the cooker hood is simultaneously operated with burning appliances requiring adequate fresh air from the room to work properly, their safe operation is possible if under pressure around these appliances is a maximum of 0.004 mbar (this does not apply when the cooker hood is used as an odour filter).
- Do not lean on the hood.
- The hood should be cleaned regularly both inside and out (AT LEAST ONCE A MONTH, following the indications concerning maintenance provided in this manual).. Failure to adhere to the rules concerning cleaning the hood and replacing filters



results in a fire risk.

- If the power cord is damaged it should be replaced by a specialised service centre.
- Ensure that it is possible to disconnect the appliance from the mains by removing the plug or switching off the bi-polar switch.
- This appliance is not intended for use by persons (including children) with physical, mental or sensory handicaps, or by persons inexperienced or unfamiliar with the appliance, unless under supervision or in accordance with the instructions as communicated to them by persons responsible for their safety.
- Particular attention should be paid not to allow unaccompanied children to use the appliance.
- Make sure voltage indicated on the nameplate corresponds to the local mains supply voltage.
- Before use, extend and straighten the power cord.
- Packaging materials (bags, polyethylene, polystyrene, etc.) should be kept away from children during unpacking.
- Before connecting the hood to the mains power supply always check that the power cord is properly installed and is not trapped by the appliance. Do not connect the appliance to the mains until assembly is complete.
- Do not operate your kitchen hood without the aluminium grease filters.
- It is strictly forbidden to cook dishes under on an open flame (flambé) under your kitchen hood.
- Always strictly adhere to regulations issued by the competent local authorities regarding the technical and safety requirements for fume extraction.
- Failing to tighten bolts and fasteners in accordance with these instructions may endanger life and health.
- Hanging kitchen hoods operate only in air circulation / odour absorber mode

# UNPACKING

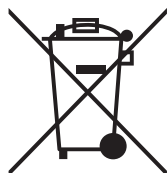


During transportation, protective packaging was used to protect the appliance against any damage. After unpacking, please dispose of all elements of packaging in a way that will not cause damage to the environment.

All materials used for packaging the appliance are environmentally friendly; they are 100% recyclable and are marked with the appropriate symbol.

Important! Packaging materials (bags, polyethylene, polystyrene, etc.) should be kept away from children during unpacking.

# DISPOSAL OF OLD APPLIANCE



In accordance with European Directive 2012/19/EU and Polish legislation regarding used electrical and electronic goods, this appliance is marked with the symbol of the crossed-out waste container. This marking indicates that the appliance must not be disposed of together with other household waste

after it has been used.

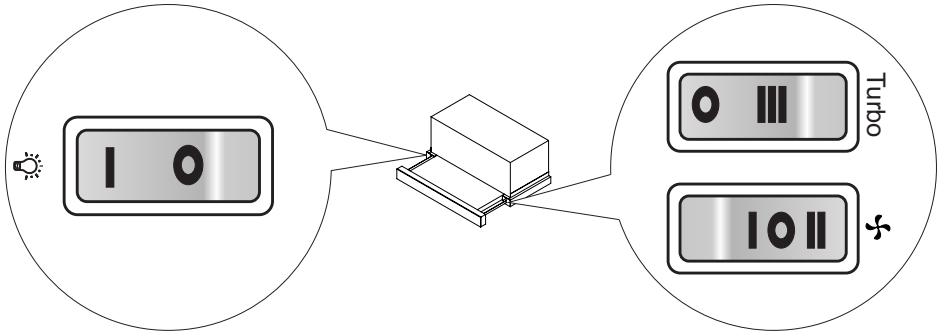
The user is obliged to hand it over to waste collection centre collecting used electrical and electronic goods. The collectors, including local collection points, shops and local authority departments provide recycling schemes.

Proper handling of used electrical and electronic goods helps avoid environmental and health hazards resulting from the presence of dangerous components and the inappropriate storage and processing of such goods.

# OPERATION

## Kitchen hood controls


Control Panel is shown in Figure 4, for reference it is also shown below:



The control panel is equipped with buttons (rocker switch). You can use the buttons once the retractable front panel is ejected. Telescopic kitchen hood is equipped with a limit switch. Every time, when you eject the retractable front panel, the hood fan will start at the previously set speed.

Available speeds (when retractable front panel ejected):

- I- Low speed. Use this speed when cooking a little food with hardly any fumes.
- II- Medium speed. Use this speed when cooking multiple dishes at the same time with moderate amount of fumes.
- III- High speed. Use this speed when frying or grilling, with large amount of fumes.
- The hood off (ejecting the retractable front panel will not start the fan).

Press  to turn the lighting on/off. The lighting operates independently of hood fan. Limit switch also turns off the lights when you retract the front panel.

## **Other important information concerning the operation of the hood**

Operation in air circulation / odour filter mode. In this mode, the filtered air returns to the room through the outlets. Install activated charcoal filter in this setting. It is recommended to install the air guide (available depending on the model, mainly in chimney cooker hoods).

**Air extraction operation:** When cooker hood operates in extraction mode, air is discharged outside through an extraction duct. Remove activated charcoal filter in this setting. The cooker hood is connected to the air outlet opening using a rigid or flexible extraction duct with a diameter of 150 or 120 mm, and the appropriate clamps, which must be purchased at a hardware store. The appliance should be installed by a qualified installer.

**Fan speed:** Lowest and medium fan speed is used in normal conditions and less intense odours, while the highest speed is used only when cooking odours are very intense, such as during frying or grilling.

**Note (applies to universal hoods only):** Due to the design of universal hoods you need to manually change the mode of operation. See Figure 8 for instructions on how to change the mode.

**Note (only applies to telescopic and in-built kitchen hoods):** Furniture and telescopic cooker hoods operating in air recirculation mode require installation of the exhaust duct. The other end of the duct should be directed to the room as it will discharge filtered air.

**Note:** Hanging kitchen hoods operate only in air circulation / odour absorber mode

# CLEANING AND MAINTENANCE

## Maintenance

Regular maintenance and cleaning of the appliance will ensure trouble-free operation of the cooker hood and extend its life. Especially make sure that the grease filter and activated charcoal filter are replaced according to manufacturer's recommendations.

- Do not use a soaked cloth, sponge, or water jet.
- Do not use solvents or alcohol, as they may tarnish lacquered surfaces.
- Do not use caustic substances, especially for cleaning stainless steel.
- Do not use a rough or abrasive cloth.
- It is recommend to use a damp cloth and a neutral detergent.

Note: After several washes in the dishwasher, the colour of the aluminium filter may change. The change of colour does not indicate improprieties or the necessity to change it.

## Grease filter

For normal hood operation, aluminium grease filter should be cleaned every month in the dishwasher or by hand using a mild detergent or liquid soap.

Dismantling of aluminium grease filter is shown on Figure 5.

Acrylic filter is used in some models. This filter should be replaced at least once every two months or more frequently if the appliance is used intensively.

## Activated charcoal filter

Charcoal filter is used only when the cooker hood is not connected to the ventilation duct. Activated charcoal filter can absorb odours until saturated. Charcoal filter is not suitable for washing or regeneration and should be replaced at least once every two months or more frequently if the appliance is used intensively.

Dismantling of charcoal filter is shown on Figure 6.

## Light

Use incandescent / halogen / LED modules of the same specification as those factory-installed in the appliance. See Figure 7 for details how to replace lights. If there is no such figure in this manual, please contact authorised service to replace the lighting module.

# WARRANTY AND AFTER SALES SERVICE

## Warranty

Warranty service as stated on the warranty card. The manufacturer shall not be held liable for any damage caused by improper use of the product.



**The manufacturer recommends that all repairs and adjustments be carried out by the Factory Service Technician or the Manufacturer's Authorized Service Point. Repairs should be carried out by a qualified technician only.**


### Manufacturer's Declaration

The manufacturer hereby declares that this product meets the requirements of the following European directives:

- **Low Voltage Directive 2014/35/EC**
- **Electromagnetic Compatibility (EMC) Directive 2014/30/EC**
- **ErP Directive 2009/125/EC**
- **Directive RoHS 2011/65/EC**

and has thus been marked with the  symbol and been issued with a declaration of compliance made available to market regulators.

# Sehr geehrter Kunde,

Von heute an werden Ihre alltäglichen Pflichten einfacher denn je. Dieses Gerät  **Hansa** Haushaltsgeräte ist eine Verbindung einer außergewöhnlich leichten Bedienung und einer perfekten Effizienz. Nachdem Sie diese Bedienungsanleitung gelesen haben, ist die Bedienung des Gerätes kein Problem mehr.

Bevor das Gerät das Herstellerwerk verlassen konnte, wurde er vor dem Verpacken gründlich auf deren Sicherheit und Funktionalitäten an Prüfständen überprüft.

Bevor das Gerät in Betrieb genommen wird, lesen Sie bitte die Bedienungsanleitung aufmerksam durch. Befolgen Sie die darin stehenden Hinweise, vermeiden Sie verschiedene Bedienfehler. Diese Bedienungsanleitung ist zu erhalten und so aufzubewahren, dass sie jederzeit bei der Hand ist.

**Zur Vermeidung möglicher Unfälle befolgen Sie die in der Bedienungsanleitung stehenden Hinweise genau.**

Mit freundlichen Grüßen

 **Hansa**  
Haushaltsgeräte

# SICHERHEITSHINWEISE

- Bitte lesen Sie diese Anleitung vor der Installation des Kaminhaube durch!
- Das Gerät ist ausschließlich für den Einsatz im Haushalt bestimmt.
- Der Hersteller behält sich das Recht vor, Änderungen vorzunehmen, die die Gerätefunktion nicht beeinträchtigen.
- Der Hersteller übernimmt keine Haftung für eventuelle Schäden oder Brände, die durch das Gerät verursacht wurden und sich aus der Nichtbeachtung der in dieser Gebrauchsanweisung angegebenen Hinweise ergeben.
- Die Dunstabzugshaube dient zur Abführung von Gerüchen und Dämpfen. Verwenden Sie die Dunstabzugshaube nicht zu anderen Zwecken.
- Beim Abluftbetrieb muss die Dunstabzugshaube an einen entsprechenden Lüftungskanal angeschlossen werden (nicht an betriebsaktive Kamin-, Rauch- oder Abgaskanäle anschließen!). Es ist dabei erforderlich, eine Leitung zur Abführung der Abluft nach außen zu installieren. Diese Abluftleitung (meistens ein Rohr mit einem Durchmesser von Ø 120 oder 150 mm) sollte maximal 4-5 m lang sein. Die Abluftleitung ist auch bei Teleskop- und Möbeldunstabzugshauben bei Umluftbetrieb erforderlich.
- Beim Umluftbetrieb muss der Aktivkohlefilter installiert werden. In diesem Fall ist es nicht mehr erforderlich, die Leitung zur Abführung der Abluft zu installieren. Zu empfehlen ist dagegen die Montage des Umlenkblechs für die Abluft (nur bei Kaminabzugshauben).
- Die Dunstabzugshaube verfügt über eine unab-



hängige Beleuchtung sowie einen Abluftventilator mit der Möglichkeit der Einstellung einer der mehreren Leistungsstufen.

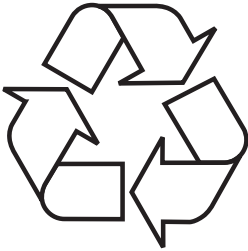
- Je nach der Version des Gerätes ist die Dunstabzugshaube für eine dauerhafte Anbringung an einer vertikalen Wand über einem Gas- oder Elektroherd (Kaminabzugshauben und Universalabzugshauben); unter der Decke über einem Gas- oder Elektroherd (Inselabzugshauben); an einer vertikalen Wand in einem Möbelstück über einem Gas- oder Elektroherd (Teleskop- und Möbeldunstabzugshauben) bestimmt. Vergewissern Sie sich vor der Montage, ob die Wand- oder Deckenkonstruktion für die Montage der Dunstabzugshaube geeignet ist und standhalten kann. Manche Modelle der Dunstabzugshauben sind sehr schwer.
- Die Montagehöhe über dem Elektroherd ist im Produktdatenblatt (in der technischen Spezifikation des Gerätes) angegeben. Sollte in der Montageanleitung für Gasherde ein größerer Abstand angegeben sein, so muss dies berücksichtigt werden (Abb. 1).
- Vermeiden Sie offene Flammen unter der Dunstabzugshaube. Wenn Sie das Kochgeschirr von der Gaskochstelle nehmen, stellen Sie die Flamme zuvor auf Minimum. Sorgen Sie immer dafür, dass die Flamme keinesfalls über das Kochgeschirr hinausragt, sonst kommt es zu unerwünschten Energieverlusten und zur gefährlichen Konzentration von Wärme.
- Die Zubereitung der Gerichte mit Fetten muss stets unter Aufsicht erfolgen, da das überhitzte Fett sich schnell selbst entzünden kann.
- Vor jeder Reinigung, Filterwechsel oder vor Durchführung von Reparaturen trennen Sie das Gerät von der Stromversorgung, indem Sie den Stecker aus der Steckdose ziehen.

- Der Fettfilter der Dunstabzugshaube ist mindestens einmal monatlich zu reinigen, denn er ist leicht entzündlich, wenn er überfettet ist.
- Sollten im Raum gleichzeitig sowohl die Abzugshaube als andere nicht mit Strom gespeiste Geräte (z.B. Öfen für flüssige Brennstoffe, Durchlauferhitzer, Thermen) betrieben werden, muss für eine ausreichende Belüftung des Raumes (Luftzufuhr) gesorgt werden. Ein sicherer Betrieb der Abzugshaube ist nur dann möglich, wenn bei gleichzeitigem Betrieb der Dunstabzugshaube und anderer, luftverbrauchender Geräte, der Unterdruck in ihrer direkten Nähe den Wert von max. 0,004 mB erreicht (dieser Wert gilt nicht bei Umluftbetrieb der Dunstabzugshaube).
- Die Dunstabzugshaube darf nicht als Stützfläche für Personen, die sich gerade in der Küche befinden, genutzt werden.
- Die Dunstabzugshaube sollte sowohl von außen als auch von innen oft (MINDESTENS EINMAL PRO MONAT, unter Beachtung der in dieser Gebrauchsanweisung angegebenen Hinweise zur Wartung des Gerätes) gereinigt werden. Bei Nichtbeachtung der Grundsätze, die die Reinigung der Dunstabzugshaube und den Filterwechsel betreffen, entsteht Brandgefahr.
- Wird das Netzkabel beschädigt, muss es in einer Fachwerkstatt neu besorgt werden.
- Die Möglichkeit der Trennung des Gerätes vom Stromnetz durch Ziehen des Steckers aus der Steckdose oder durch Ausschalten des bipolaren Schalters muss gewährleistet werden.
- Dieses Gerät darf nicht von Personen (einschließlich Kindern) bedient werden, die unter geistigen oder körperlichen Behinderungen leiden oder die nicht über ausreichende Erfahrungen in der Bedienung solcher Geräte verfügen. Eine Ausnahme kann gemacht werden, wenn solche Personen un-

ter Aufsicht eines Verantwortlichen mit dem Gerät arbeiten und/oder gründlich in die Bedienung eingewiesen wurden.

- Es ist besonders darauf zu achten, dass die Kinder ohne Aufsicht das Gerät nicht nutzen.
- Prüfen Sie, ob die auf Typenschild gemachten Angaben zur Spannung den örtlichen Parametern der Stromversorgung entsprechen.
- Das Netzkabel vor der Montage ausrollen und begradigen.
- Die Verpackungsmaterialien (Polyethylenbeutel, Styroporstücke usw.) sind beim Auspacken außer Kinderreichweite zu halten.
- Vor Anschluss der Dunstabzugshaube ans Stromnetz muss immer kontrolliert werden, ob das Netzkabel ordnungsmäßig installiert und während der Montagearbeiten durch die Dunstabzugshaube NICHT eingeklemmt wurde. Vor der Beendigung der Montage darf das Gerät ans Stromnetz nicht angeschlossen werden.
- Es ist verboten, die Dunstabzugshauben ohne installierte Aluminiumfettfilter zu nutzen.
- Es ist streng verboten, Gerichte unter Einsatz offenen Feuers (Flambieren) unter der Dunstabzugshaube zuzubereiten.
- Hinsichtlich der erforderlichen technischen und Sicherheitsmittel im Bereich der Ableitung von Abgasen sind die von den zuständigen Behörden erlassenen Vorschriften streng einzuhalten.
- Wenn die Schrauben und Befestigungselemente entsprechend den vorliegenden Hinweisen und Anleitungen nicht nachgezogen werden, kann dies eine Gefahr für Gesundheit und Leben darstellen.
- Die hängenden Dunstabzugshauben arbeiten nur im Umluftbetrieb.

# AUSPACKEN

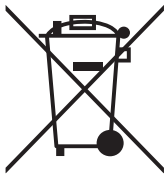


Das Gerät wird gegen Transportschäden geschützt. Nach dem Auspacken sind die Verpackungsmaterialien so zu entsorgen, dass dadurch kein Risiko für die Umwelt entsteht.

Alle Materialien, die zur Verpackung verwendet werden, sind umweltverträglich, können hundertprozentig wiederverwertet werden und sind mit entsprechendem Symbol gekennzeichnet.

Hinweis! Die Verpackungsmaterialien (Polyethylenbeutel, Styroporstücke usw.) sind beim Auspacken außer Kinderreichweite zu halten.

# ENTSORGUNG VON ALTGERÄTEN



Dieses Gerät wurde gemäß der Europäischen Richtlinie 2012/19/EG sowie dem polnischen Gesetz über verbrauchte elektrische und elektronische Geräte mit dem Symbol eines durchgestrichenen Abfallcontainers gekennzeichnet. Eine solche Kennzeichnung informiert darüber, dass

dieses Gerät nach dem Ablauf des Nutzungszeitraumes nicht zusammen mit anderen Hausabfällen gelagert werden darf.

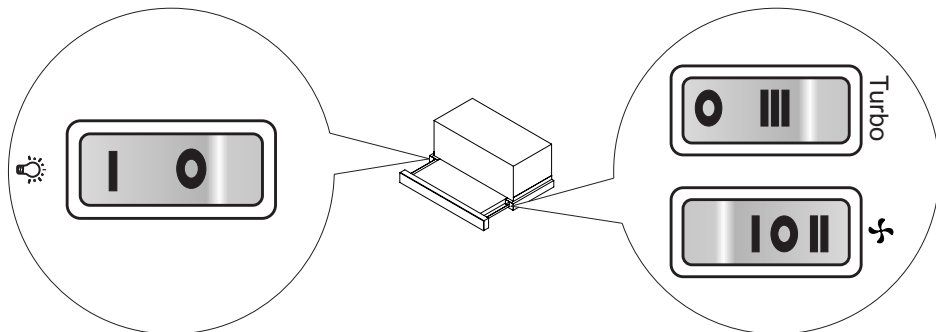
Der Benutzer ist verpflichtet, das Gerät an einem Sammelpunkt für verschlissene elektrische und elektronische Geräte abzugeben. Die die Sammlung durchführenden Einheiten, darunter lokale Sammelpunkte, Geschäfte und gemeindeeigene Einheiten, bilden ein entsprechendes System, welches die Abgabe dieses Gerätes ermöglicht.

Die richtige Vorgehensweise mit Elektro- und Elektronikschrott trägt zur Verhinderung schädlicher Folgen für die menschliche Gesundheit und die natürliche Umwelt bei, die aus der Anwesenheit von Schadstoffen sowie einer falschen Lagerung und Weiterverarbeitung solcher Materialien folgen.

# BEDIENUNG

## Steuerung der Dunstabzugshaube

Das Bedienfeld der Dunstabzugshaube wurde auf der Abbildung Nr. 4 dargestellt und zur Erinnerung gibt es dieses auch nachstehend:




Das Bedienfeld ist mit Sensoren (Wiege) ausgestattet. Sie sind nach dem Ausziehen der Teleskopfront sichtbar.

Die Teleskophaube ist mit einem Endschalter ausgestattet. Jedes Mal, wenn die Teleskopfront ausgezogen wird, beginnt der Betrieb der Dunstabzugshaube auf dem zuvor eingestellten Stufe.

Zur Auswahl stehen drei Stufen (bei ausgezogener Front):

- I- Niedrigste Stufe. Wählen Sie diese Stufe, wenn nur wenig Dämpfe entstehen.
- II- Mittlere Stufe. Wählen Sie diese Stufe bei mittlerer Dampfentstehung, zum Beispiel, wenn Sie mehrere Gerichte gleichzeitig kochen.
- III- Höchste Stufe. Wählen Sie diese Stufe bei starker Dampfbildung, zum Beispiel beim Braten oder Grillen.
- O- Dunstabzugshaube ausgeschaltet (Durch Ausziehen der Frontablen-  
de wird der Motor der Dunstabzugshaube nicht gestartet).

Die mit  gekennzeichnete Taste dient zum Ein- und Ausschalten der Beleuchtung. Die Beleuchtung der Dunstabzugshaube funktioniert unabhängig davon, ob der Motor läuft. Mit dem Endschalter wird auch das Licht ausgeschaltet, wenn die Frontablen-  
de eingeschoben wird.

## **Andere wichtige Informationen zur Bedienung der Dunstabzugshaube**

**Umluftbetrieb:** In dieser Betriebsoption kehrt die gefilterte Luft über die daran angepassten Sonderöffnungen in den Raum zurück. Bei dieser Einstellung ist ein Aktivkohlefilter zu installieren und es ist empfehlenswert, das Umlenklech für die Abluft zu montieren (verfügbar je nach dem Modell, vor allem in den Kamindunstabzugshauben vorhanden).

**Abluftbetrieb:** Bei Abluftbetrieb der Dunstabzugshaube wird die Luft über eine spezielle Leitung hinausgeleitet. Vor der Inbetriebnahme dieses Modus muss der eventuelle Aktivkohlefilter aus dem Gerät entfernt werden. Die Dunstabzugshaube ist an die Lüftungsöffnung mit Hilfe einer steifen oder elastischen Leitung mit einem Durchmesser von 150 mm oder 120 mm und mittels entsprechender Klemmen angeschlossen, die in den Fachgeschäften mit Installationszubehör erhältlich sind. Mit den Anschlussarbeiten ist ein qualifizierter Installateur zu beauftragen.

**Geschwindigkeit der Lüfters:** Unter normalen Bedingungen und bei geringer Konzentration der Dämpfe wird geringe und mittlere Geschwindigkeit empfohlen. Die höchste Geschwindigkeit sollte dagegen nur bei hoher Konzentration der Dämpfe, z.B. beim Braten oder Grillen, genutzt werden.

**Hinweis (dies gilt nur für Universal-Dunstabzugshauben):** die Konstruktion der Universal-Dunstabzugshauben erfordert einen manuellen Wechsel der Betriebsart der Dunstabzugshaube. Die Art, wie die Betriebsart gewechselt wird, ist der Abbildung Nr. 8 zu entnehmen.

**Hinweis (dies gilt nur für Möbel- und Teleskopabzugshauben):** Beim Umluftbetrieb muss im Falle der Möbel- und Teleskopabzugshauben ein Rohr zur Abführung der Abluft montiert werden. Das andere Rohrende ist in den Raum zu richten, dadurch erfolgt die Abführung der gefilterten Luft.

**Hinweis:** Die hängenden Dunstabzugshauben arbeiten nur im Umluftbetrieb.

# **REINIGUNG UND WARTUNG**

## **Wartung**

Durch eine regelmäßige Wartung und Reinigung wird ein guter und störungsfreier Betrieb sowie eine optimale Lebensdauer des Gerätes gewährleistet. Bei der Reinigung und beim Wechsel der Fett- und Kohleaktivfilter sind insbesondere die Hinweise der jeweiligen Hersteller zu beachten.

- Verwenden Sie weder nasse Reinigungstücher noch Schwämme noch Wasserstrahl.

- Verwenden Sie weder Lösemittel noch Alkohol, weil die lackierten Oberflächen dadurch matt werden können.
- Verwenden Sie keine ätzenden Stoffe, insbesondere bei der Reinigung von Oberflächen aus nichtrostendem Stahl.
- Verwenden Sie keine harten, rauen Reinigungstücher
- Zur Reinigung wird feuchtes Tuch sowie neutrale Reinigungsmittel empfohlen.

Hinweis: Nachdem der Aluminiumfilter mehrmals im Geschirrspüler gespült worden ist, kann sich der Farbton des Filters ändern. Die Änderung des Farbtons ist kein Hinweis darauf, dass es unrichtig ist und der Filter gewechselt werden muss.

### **Fettfilter**

Der Aluminiumfettfilter sollte bei einem üblichen Betrieb der Dunstabzugshaube jeden Monat im Geschirrspüler oder per Hand mit einem feinen Reinigungsmittel oder flüssiger Seife gereinigt werden.

Die Demontage des Aluminiumfettfilters wurde in der Abbildung 5 gezeigt.

In manchen Modellen wurde ein Akrylfilter eingesetzt. Dieser ist mindestens alle zwei Monate oder häufiger bei einem durchaus intensiven Gebrauch zu wechseln.

### **Aktivkohlefilter**

Der Kohlefilter wird nur dann eingesetzt, wenn die Dunstabzugshaube an die Lüftungsleitung nicht angeschlossen ist. Der Aktivkohlefilter kann die Gerüche bis zur vollen Sättigung des Filters aufnehmen. Der Aktivkohlefilter ist weder fürs Waschen noch für die Regeneration geeignet und sollte mindestens einmal pro 5 Monate oder im Falle einer intensiven Beanspruchung öfter gewechselt werden.

Die Demontage des Aktivkohlefilters wurde in der Abb. 6 gezeigt.

### **Beleuchtung**

Setzen Sie Leuchten / Halogenleuchten / Diodenmodule mit denselben Parametern, wie sie im Gerät werkseitig montiert wurden, ein. Der Wechsel der Beleuchtung wurde in der Abbildung 7 gezeigt. Wenn die Abbildung in dieser Anleitung nicht vorhanden ist, darf das Beleuchtungsmodul nur durch eine autorisierte Servicestelle durchgeführt werden.

# GARANTIE, NACHVERKAUF-SERVICE

## Garantie

Garantieleistungen laut Garantieschein. Der Hersteller übernimmt keine Haftung für Schäden, die durch einen unsachgemäßen Betrieb des Produktes entstehen.




**Der Hersteller empfiehlt, dass alle Reparaturen und alle Einstellmaßnahmen durch den Werkskundendienst oder durch Autorisierten Servicedienst des Herstellers. Die Reparaturen sollen ausschließlich durch Personen mit entsprechenden Qualifikationen durchgeführt werden.**

### CE-Konformitätserklärung


Der Hersteller dieses Produktes erklärt hiermit in alleiniger Verantwortung, dass dieses Produkt den einschlägigen, grundlegenden Anforderungen der nachfolgenden EU-Richtlinien entspricht:

- **Niederspannungsrichtlinie 2014/35/EG**
- **Elektromagnetische Verträglichkeit 2014/30/EG**
- **ErP – Richtlinie 2009/125/EG**
- **Richtlinie RoHS 2011/65/EG**

Das Gerät ist mit dem  Zeichen gekennzeichnet und verfügt über eine Konformitätserklärung zur Einsichtnahme durch die zuständigen Marktüberwachungsbehörden.



# Stimate Client

De astăzi activitățile zilnice vor deveni mult mai simple decât oricând. Aparatul  **Hansa** Haushaltsgeräte este o combinație excepțională în utilizarea ușoară și eficiența excepțională. După citirea acestor instrucțiuni, utilizarea nu va fi o problemă.

Electrocasnicul a fost verificat minuțios pe linia de fabricație la posturile de control din punct de vedere al parametrilor de siguranță și funcționalitate înainte de a fi ambalat.

Vă rugăm să citiți cu atenție aceste instrucțiuni înainte de a utiliza aparatul. Respectarea indicațiilor cuprinse în aceste instrucțiuni vă vor permite să evitați utilizarea incorectă a electrocasnicului. Instrucțiunile trebuie păstrate și depozitate în așa fel încât să le aveți mereu la îndemână.

**Instrucțiunile de utilizare trebuie respectată cu exactitate pentru a evita accidentele.**

Cu deosebită stimă

 **Hansa**  
Haushaltsgeräte

# INDICAȚII PRIVIND SIGURANȚA

- Hota poate fi folosită numai după citirea prezentelor instrucțiuni
- Hota este destinată numai pentru uz casnic
- Producătorul își rezervă dreptul de a efectua modificări care nu vor afecta funcționarea.
- Producătorul nu își asumă nici un fel de responsabilitate pentru eventualele daune sau incendii care vor fi cauzate de acest dispozitiv care vor rezulta din nerespectarea prevederilor cuprinse în prezentul manual.
- Hota de deasupra aragazului este destinat pentru îndepărtarea vaporilor din bucătărie. Nu trebuie folosit în alte scopuri.
- Hota care funcționează în varianta cu evacuare trebuie conectată la o conductă de evacuare corespunzătoare (nu conectați la hornuri, coșuri de fum sau de evacuare a gazelor, care se află deja în exploatare). Hota necesită instalarea unei conducte care va evacua aerul în exterior. Lungimea conductei (de obicei tub Ø 120 mm sau 150 mm) nu ar trebui să fie mai lungă decât 4-5 m. Tubul de evacuarea aerului este de asemenea necesar la hotele telescopice și incorporabile utilizate în varianta filtrare- recirculare.
- Hota care funcționează în varianta filtrare-recirculare necesită instalarea filtrului cu carbon activ. În acest caz nu este nevoie să montați conductă de evacuare a aerului în exterior, în schimb se recomandă montajul unui deflector, în special la hotele tip horn).
- Hota posedă iluminare independentă și ventilator de evacuare a vaporilor cu posibilitatea de setare a uneia din cele câteva viteze de rotație.

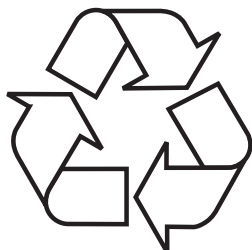
- În funcție de versiunea dispozitivului, hota este destinată pentru montajul permanent pe peretele vertical deasupra aragazului pe gaz sau a celui electric (hotele cu horn și cele universale); pe tavan deasupra aragazului pe gaz sau a celui electric (hote tip insulă); pe peretele vertical în cadrul mobilierului incorporat deasupra aragazului pe gaz sau a celui electric (hotele telescopice și cele incorporabile). Înainte de începerea montajului trebuie să vă asigurați că structura peretelui / tavanului este corespunzătoare pentru susținerea hotei. Unele modele de hote sunt foarte grele.
- Înălțimea de montare a hotei deasupra plitei electrice este menționată în instrucțiunile produsului (specificația tehnică a hotei). În cazul în care în manualul pentru instalarea dispozitivelor cu gaz este precizată o distanță mai mare, se va respecta aceasta distanță (Fig.1).
- Sub hota de bucătărie nu se permite lăsarea flăcării deschise, în timpul dării la o parte a vaselor de pe zona de gătit, trebuie setată flacăra cea mai mică.. Întotdeauna trebuie să verificați dacă flacăra iese în afara vasului, deoarece aceasta poate conduce la pierderea nedorită a energiei și la o concentrare periculoasă a căldurii.
- Mâncărurile care sunt pregătite cu folosirea uleiului trebuie în permanență supravegheate, deoarece uleiul încins se poate aprinde foarte repede.
- Înainte de fiecare operațiune de curățare, înlocuire a filtrului sau înainte de a începe lucrările de reparare, trebuie să scoateți ștecherul din priză.
- Filtrul împotriva grăsimilor pentru hota de bucătărie trebuie curățat cel puțin 1 dată pe lună, deoarece plin de grăsime este ușor inflamabil.
- În cazul în care în încăperea, în afara hotei, sunt exploatate și alte dispozitive cu alimentare ne-electrică ( de ex. sobe cu combustibil lichid, încălzitoare apă, boilere), trebuie să aveți grijă ca

sistemul de aerisire să fie corespunzător (fluxul de aer). Exploatarea în siguranță este posibilă în cazul în care în timpul funcționării concomitente a hotei și a dispozitivelor de ardere, în funcție de aerul din încăpere, pe locul de amplasare a acestor dispozitive există subpresiune nu mai mare de 0,004 milibari (acest punct nu este obligatoriu, atunci când hota de deasupra aragazului este folosită ca sistem de absorbție a mirosurilor).

- Hota de bucătărie nu trebuie să fie folosită ca suprafață de sprijin pentru persoanele care se află în bucătărie.
- Hota trebuie să fie curățată frecvent atât în exterior cât și în interior (CEL PUȚIN ODATA PE LUNA, respectând indicațiile privind întreținerea prezentate în manual). Nerespectarea acestor reguli privind curățarea hotei și schimbul de filtre poate duce la apariția de incendii.
- În cazul în care cablul de alimentare va fi deteriorat, atunci acesta trebuie înlocuit cu unul nou de către un centru de reparații autorizat.
- Trebuie să fie posibilă deconectarea dispozitivului de la rețeaua de alimentare cu curent electric, prin deconectarea ștecherului sau oprirea întrerupătorului bipolar
- Aparatul acesta nu poate fi folosit de către persoane (inclusiv copii) cu capacități fizice, senzoriale sau psihice limitate, ori de către persoane care nu au experiență sau nu cunosc aparatul, cu excepția cazului în care acest lucru are loc sub supravegherea sau conform instrucțiunii de utilizare a aparatului, indicate de către persoanele responsabile de siguranța acestora.
- Trebuie să fiți foarte atenți ca acest dispozitiv să nu fie folosit de copii lăsați fără supraveghere.
- Verificați dacă tensiunea care este trecută pe eticheta de fabricație corespunde parametrilor de alimentare de la locul unde va fi aceasta folosită.

- Înainte de montaj trebuie să desfaceți și să întindeți cablul de alimentare cu curent electric.
- Materialele ambalajului (sacii din polietilena, bucățile de polistiren etc.) nu trebuie lăsate la îndemâna copiilor pe durata despachetării.
- Înainte de a conecta hota la sursa de alimentare trebuie de fiecare dată să verificați dacă cablul de alimentare este în mod corect instalat și NU a fost strivit de către hotă în timpul operațiilor de montare. Nu conectați dispozitivul la rețeaua de alimentare cu curent electric înainte de sfârșitul montajului.
- Este interzisă folosirea hotei fără filtrele de aluminiu instalate împotriva depunerii grăsimilor.
- Este strict interzisă pregătirea sub hotă a mâncărilor care necesită folosirea flăcării deschise (flambare).
- În măsura în care este necesară punerea în aplicare a cerințelor tehnice și de siguranță în ceea ce privește gazele de evacuare trebuie să fie respectate cu strictețe reglementările emise de către autoritățile locale competente.
- Neînșurubarea șuruburilor sau a elementelor de fixare în conformitate cu prezentele instrucțiuni poate conduce la apariția pericolelor pentru viață și sănătate.
- Hotele suspendate funcționează numai în varianta filtrare- recirculare.

# DESPACHETARE



Dispozitivul este protejat împotriva deteriorării pe toată perioada transportului. Vă rugăm ca după ce despachetați aparatul să disponibilizați elementele ambalajului astfel încât acest lucru să nu dăuneze mediului înconjurător.

Toate materialele folosite pentru ambalaj nu dăunează mediului și sunt 100% reciclabile și au fost marcate cu simbolul corespunzător.

Atenție! Materialele ambalajului (sacii din polietilenă, bucățile de polistiren etc.) nu trebuie lăsate la îndemână copiilor pe durata despachetării.

## ÎNDEPĂRTAREA

### DISPOZITIVELOR UZATE



Acest aparat este marcat conform Directivei Europene 2012/19/CE și Legii poloneze cu privire la echipamentele electrice și electronice folosite cu simbolul containerului pentru deșeuri. Acest marcaj informează că echipamentul acesta după perioada în care a fost utilizat nu poate fi aruncat împreună cu gunoiul menajer.

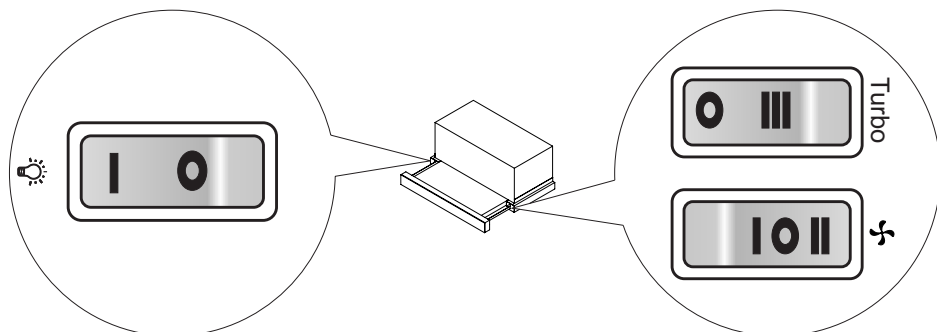
Beneficiarul are obligația de a preda dispozitivul uzat celor care se ocupă cu reciclarea echipamentelor electrice și electronice. Instituțiile care le primesc, inclusiv punctele de ridicare, magazinele și autoritățile locale vor organiza un sistem corespunzător de predare a acestor echipamente.

Procedarea corespunzătoare cu echipamentele electrice și electronice asigură eliminarea consecințelor dăunătoare pentru sănătatea oamenilor și a mediului înconjurător, care reies din prezența unor substanțe periculoase și din depozitarea și prelucrarea necorespunzătoare a acestui tip de echipament.

# OPERARE

## Panoul de control

Panoul de control al hotei este prezentat în Fig. 4, ca referință, dar este arătat de asemenea mai jos:




Panoul de control este echipat în butoane basculante. Sunt vizibile după scoaterea frontului telescopic.

Hota telescopică este echipată de un întrerupător de capăt de cursa de fiecare dată când veți scoate frontul telescopic, hota va începe să funcționeze cu viteza setată anterior.

Setarea vitezelor posibile (cu frontul scos)

- I- Viteza mică. Utilizați această viteză la o cantitate nu prea mare de vapori.
- II- Viteza medie. Utilizați această viteză la o cantitate medie de vapori, de exemplu atunci când gătiți mai multe feluri de mâncare în același timp.
- III- Viteza mare. Utilizați această viteză la o cantitate foarte mare de vapori, de exemplu la prăjire sau la grill.
- Hota oprită (scoaterea panoului nu va porni motorul hotei).

Butonul marcat ca  este folosit doar pentru pornirea sau oprirea iluminatului. Iluminarea hotei funcționează independent de motorul hotei. Întrerupătorul de capăt de cursă va stinge lumina când panoul frontal va fi împins în poziția inițială, de repaus.

## **Alte informatii importante pentru operarea hotei**

### Variante de utilizare

#### Utilizare in varianta filtrare-recirculare

La functionarea in aceasta varianta aerul incarcat cu fum si vapori este aspirat si returnat apoi filtrat in incapere prin orificiile proiectate in acest scop. Pentru aceasta varianta este obligatorie montarea unui filtru carbon conform Fig 6., iar la unele modele de hota –de exemplu la cele tip horn- un deflector, daca acesta se regaseste in echiparea hotei. Filtrele carbon se achizitioneaza contra cost de la Centrele de reparatii autorizate.

#### Utilizare in varianta evacuare in exterior

In aceasta varianta aerul este evacuat catre exterior printr-un orificiu de evacuare aflat in partea superioara a hotei; nu se va monta filtrul carbon. La orificiul de evacuare al hotei se va conecta o conducta rigida ori flexibila (preferabil) cu diametrul de 150 mm sau 120 mm cu capatul in exteriorul cladirii, cu ajutorul unor accesorii (dispozitive de prindere, jaluza exteriora etc) care trebuie achizitionate de la magazinele de instalatii. Montajul trebuie realizat de catre o persoana calificata.

#### Viteza ventilatorului

Vitezele mica si medie sunt folosite in cazul conditiilor normale, atunci cand exista o cantitate mica de fum si vapori; viteza maxima trebuie folosita in cazul unei cantitati mai mari de fum si vapori, de exemplu in timpul prajirii sau pregatirii gratarului.

**Atentie:** la hotele universale este necesara setarea manuala a variantei de utilizare, filtrare ori evacuare) prin actionarea unui levier; a se vedea Fig 8, acolo unde exista.

**Atentie:** la hotele incorporabile in mobilier si cele telescopice utilizate in varianta filtranta trebuie montata o conducta de evacuare a aerului, dar al carui capat se va directiona tot in incapere, prin care se va returna aerul filtrat.

**Atentie:** hotele suspendate functioneaza numai in varianta filtranta.



# CURĂȚAREA ȘI ÎNTREȚINEREA

## Întreținere

Întreținerea și curățarea regulată a dispozitivului vor asigura o funcționare bună și fără avarii a hotei și va prelungi durata de funcționare a acestora. Trebuie să acordați o deosebită atenție ca filtrele împotriva grăsimilor și filtrul cu carbon activ să fie curățate respectiv schimbate în conformitate cu recomandările producătorului.

- Nu folosiți cârpe și bureți imbibati cu apa și nici jetul de apă.
- Nu folosiți solvenți și nici alcool, deoarece acestea pot deteriora suprafețele lăcuite.
- Nu folosiți substanțe corozive, în special pentru curățarea suprafețelor din oțel inoxidabil.
- Nu utilizați o cârpă tare, aspră
- Se recomandă folosirea unei cârpe umede și a unui detergent neutru.

Atenție: După ce filtrul de aluminiu va fi spălat de câteva ori în mașina de spălat vase culoarea acestuia se poate schimba. Culoarea schimbată nu înseamnă că, filtrul este deteriorat și nici nu trebuie schimbat.

## Filtrul împotriva grăsimilor

Filtrul din aluminiu împotriva grăsimilor trebuie să fie curățat o dată pe lună atunci când hota funcționează normal, în mașina de spălat vase sau manual folosind un detergent delicat sau săpun lichid.

Demontarea filtrului din aluminiu împotriva grăsimilor este prezentată în Fig. 5.

În unele modele este folosit filtrul acrilic. Trebuie înlocuit cel puțin o dată la 2 luni sau mai des în cazul în care hota este folosită foarte intens.

## Filtrul de carbon

Filtrul activ este folosit numai atunci când hota nu este conectată la conducta de evacuare în exterior. Filtrul cu carbon activ posedă capacitatea de absorbție a mirosurilor până în momentul de saturare totală. Nu poate fi spălat și nici regenerat și trebuie să fie înlocuit cel puțin o dată la 2 luni, sau mai des în cazul în care este folosit mai intens.

Demontajul filtrului carbon este prezentat în Fig. 6.

## Sistem de iluminare

Trebuie folosite becuri / halogene / module cu diode cu aceiași parametrii ca cei montați din fabricație pe dispozitiv. Înlocuirea sistemului de iluminare este prezentată pe figura 7. În cazul în care figura nu apare în acest manual, înlocuirea modulului de iluminare poate fi efectuată numai de către un centru de reparatii autorizat.

# GARANȚIE, SERVICII POSTVÂNZARE

## Garanția

Condițiile de garanție sunt cele prezentate în Certificatul de garanție care însoțește produsul. Producătorul nu este răspunzător de eventualele prejudicii cauzate de utilizarea incorectă a produsului.




**Producătorul echipamentului recomandă ca și în perioada post-garanție toate reparațiile să fie efectuate de către Centrele de service autorizate de către producător.**


### Declarația producătorului

Prin prezenta, producătorul declară că, acest produs îndeplinește cerințele de bază ale directivelor europene menționate în continuare:

- **directiva cu privire la joasa tensiune 2014/35/CE**
- **directiva cu privire la compatibilitatea electromagnetică 2014/30/CE**
- **directiva 2009/125/EC**
- **directiva cu privire RoHS 2011/65/EC**

și de aceea produsul a fost marcat cu simbolul  și a fost emisă declarație de conformitate care este pusă la dispoziția organelor de supraveghere a pieței.

# Tisztelt Ügyfelünk

A mai naptól kezdve az Ön mindennapi teendői egyszerűbbek lettek mint valaha. A készülék  **Hansa** Haushaltsgeräte a könnyű használat és kiváló hatékonyság rendkívüli kombinációja. A használati utasítás elolvasását követően Önnek nem okoz gondot a kezelése.

A készülék, mely elhagyta a gyárat, gondosan ellenőrizve lett a csomagolás előtt a biztonságot és funkcionalitást illetően.

Kérjük Önöket, hogy a készülék üzembe helyezése előtt figyelmesen olvassák el a használati utasítást. A használati utasításban foglaltak betartása segít megelőzni a helytelen üzemeltetést. A használati utasítást meg kell tartani és el kell rakni úgy, hogy szükség esetén kéz alatt legyen.

**A balesetek elkerülése érdekében gondosan követni kell a használati utasításban foglaltakat.**

Tisztelettel,

 **Hansa**  
Haushaltsgeräte

# BIZTONSÁGI UTASÍTÁSOK

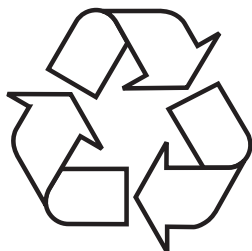
- A páraelszívót csak a jelen használati utasítás elolvasását követően lehet használni.
- A készüléket csakis háztartásbeli használatra tervezték.
- A gyártó fenntartja magának a jogot olyan újítások bevezetésére, melyek nem lesznek hatással a készülék használatára.
- A gyártó nem vállal felelősséget a készülék által okozott károkért illetve tüzesetekért, melyeket a jelen használati utasításban foglaltak be nem tartása okozott.
- A tűzhely feletti páraelszívó a konyhai gőzök elszívására használatos. Nem szabad más célra használni.
- Az elszívó üzemmódban dolgozó páraelszívót a megfelelő szellőző csatornához kell csatlakoztatni (nem szabad kéményhez, füstelvezető vagy égéstermék elvezető csatornákhöz csatlakoztatni, amelyek használatban vannak). A páraelszívóhoz csatlakoztatni kell tömlőt, mely elvezeti a levegőt kívülre. A tömlő hossza (általában 120 mm illetve 150 mm Ø cső) nem haladhatja meg a 4-5 m-t. A légelvezető tömlő szintén szükséges a teleszkópos és a bútorba beépített, keringtető üzemmódban üzemelő páraelszívónál.
- A keringtető üzemmódban üzemelő páraelszívóknál aktív széntartalmú szűrő felszerelése szükséges. Ebben az esetben nincs szükség levegő elvezető cső felszerelésére, viszont ajánlott a levegő kivezető kémény felszerelése (csak a kéményes páraelszívóknál).

- A páraelszívó független világítással és elszívó ventilátorral rendelkezik, mely különböző sebességfokozatokra állítható.
- A készülék verziójától függően, a páraelszívót egy függőleges falra kell szerelni a gáz- illetve elektromos tűzhely fölé (kéményes és univerzális páraelszívók); a gáz- illetve elektromos tűzhely fölött lévő mennyezetre (sziget páraelszívók); egy függőleges falra a gáz- illetve elektromos tűzhely fölött, beépítve egy konyhabútorba (teleszkópos és bútorokba beépített páraelszívók). Mielőtt elkezdené a felszerelést, győződjön meg arról, hogy a fal / mennyezet szerkezete elbírja a páraelszívó súlyát. A páraelszívó néhány modellje igen nehéz.
- Az elektromos tűzhely fölötti telepítési magasság a készülék termék adatlapján található (a készülék műszaki specifikációja). Ha a gáztűzhely használati utasításában nagyobb távolságok lettek előírva, akkor ezeket kell figyelembe venni (1 rajz)
- A páraelszívó alatt tilos a nyílt láng használata. Amikor levesszük az edényt a tűzhelyről, állítsuk a lángot minimumra. Mindig ellenőrizzük, hogy a lángok nem csapnak-e a ki az edény alól, mivel ez energiaveszteséget illetve veszélyes hő koncentrációt okozhat.
- Ha olajat használunk a sütéshez a páraelszívó alatt, az üzemeltetés teljes időtartama alatt tartsa szemmel az ételt, ugyanis a túlmelegedett olaj tüzet okozhat.
- Mielőtt kicserélnénk a zsírszűrő betéteket illetve minden javítás, karbantartás előtt áramtalanítsuk a készüléket kihúзва a dugót a konnektorból.
- A zsírszűrő betéteket legalább havonta meg kell tisztítani. A zsírral szennyezett zsírszűrő betétek könnyen lángra lobbanhatnak.

- Ha a helyiségben, ahol a páraelszívó üzemel, más nem elektromos készüléket is használunk (mint pl. a olajkemence, átfolyós vízmelegítő, bojler) biztosítani kell a jó szellőzést (levegőátfolyás). A biztonságos használat akkor lehetséges, ha a páraelszívó és a többi készülék egyszerre való használatánál, ott, ahol a készülékek el vannak helyezve, a légnyomás nem haladja meg 0,004 milibart (ez a pont érvényét veszti amikor a keringtető üzemmódban használjuk a páraelszívót)
- Nem szabad a páraelszívóra támaszkodni.
- A páraelszívót gyakran meg kell tisztítani, mind kívülről, mind pedig belülről (LEGALÁBB HAVONTA EGYSZER, a jelen használati utasításban foglalt karbantartási útmutatók betartásával). A páraelszívó tisztítására és a szűrők cseréjére irányuló utasítások be nem tartása tűzveszélyt okozhat.
- Ha a csatlakozó kábel megsérül, ki kell cserélni egy erre hivatott szakszervizben.
- Biztosítani kell a készülék kikapcsolhatóságát az áramforrásból, a csatlakozó dugó kihúzása illetve a kétpólusú megszakító gomb megnyomása által.
- Ezt a készüléket nem használhatják olyan személyek (többek között gyerekek) akik csökkent fizikai, érzékszervi vagy értelmi képességűek, vagy hiányzik a megfelelő tapasztalatuk vagy a tudásuk, hacsak nem felügyeli őket egy a biztonságukért felelős személy, aki a használati utasítás alapján útmutatókkal látja el őket.
- Különösen arra kell ügyelni, hogy a felügyelet nélkül maradt gyerekek ne játszhassanak a készülékkel.
- Győződjünk meg arról, hogy a készülék belsejében található típuscímkén feltüntetett hálózati feszültség és csatlakozó értékek megegyeznek-e a lakásban található értékekkel.
- A szerelési munkálatok megkezdése előtt tekerjük ki és egyenesítsük ki a csatlakozókábelt.

- A csomagolóanyagokat (polietilén zacskók, polisztirol stb.) a kicsomagolás közben tartsuk távol a gyerekektől.
- Mielőtt a készüléket a hálózatra csatlakoztatná, mindig ellenőrizze, hogy a tápkábel megfelelően van-e telepítve, és hogy NEM szorult-e be a páraelszívó alá az összeszerelési műveleteket során. Ne csatlakoztassa a készüléket az elektromos hálózatra a telepítés befejezése előtt.
- Tilos a páraelszívó használata ha nincs rá felszerelve az alumínium zsírszűrő.
- Szigorúan tilos a páraelszívó alatt a nyílt láng használata (flambrózás).
- Az égéstermék elvezetésével kapcsolatos biztonsági és műszaki követelmények alkalmazásánál szigorúan be kell tartani az illetékes helyi hatóságok rendelkezéseit.
- A csavarok illetve egyéb rögzítő elemek nem megfelelő – vagyis a jelen használati utasítással nem egyező - meghúzása és telepítése veszélyt jelenthet az emberi egészségre és életre.
- A lelógó páraelszívók csakis keringtető üzemmódban üzemelnek.

# KICSOMAGOLÁS



A készülék a szállítás idejére megfelelő módon be lett csomagolva a biztonság érdekében. Miután kicsomagoltuk a készüléket, a csomagolást környezetkímélő módon kell eltakarítani.

Az összes csomagolóanyag a környezet számára ártalmatlan, 100% újrahasználatos és megfelelő jelekkel van

ellátva.

Figyelem! A csomagolóanyagokat (polietilén zacskók, polisztirol stb.) a kicsomagolás közben tartsuk távol a gyerekektől.

## A HASZNÁLT KÉSZÜLÉKEK ELTÁVOLÍTÁSA



Ez a készülék el lett látva az 2012/19/EU direktíva valamint a lengyel, használt elektronikai cikkekről szóló törvény szerinti jellel – egy keresztülhúzott hulladéktartállyal. Ez a jelzés arról tájékoztat, hogy a készülék, miután használata befejeződött, nem kerülhet a szemétkosárba az összes többi

házi hulladékkal együtt.

A felhasználó köteles az elhasznált készüléket egy elektronikus és elektromos hulladékgyűjtő pontban leadni. A hulladékgyűjtő pontok, többek között a lokális pontok, a boltok, az önkormányzati szervezetek egy rendszert alkotnak, mely lehetővé teszi a hulladék leadását.

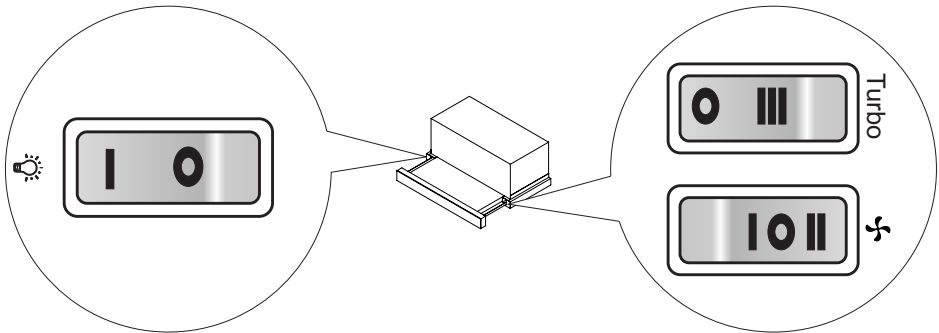
Az elektronikus és elektromos hulladékkal való megfelelő bánásmód segít megelőzni az emberi egészségre és környezetre káros mellékhatásokat, melyeket a hulladékkal való nem megfelelő bánásmód és a hulladékban található veszélyes anyagok okozhatnak.



# HASZNÁLAT

## Páraelszívó vezérlése

A páraelszívó irányítópanelje a 4 rajzon látható, de emlékeztetőül alább is bemutatjuk:



Az irányítópanel gombokkal rendelkezik (bölcső). Ezek a teleszkópos előlap kihúzását követően láthatók.

A teleszkópos páraelszívó végkapcsolóval van felszerelve. Minden alkalommal, amikor kihúzza a teleszkópos előlapot, a páraelszívó az előre beállított sebességfokozatban kezd el működni.

A beállítható sebességfokozatok (kihúzott előlapnál):

- I- Legalacsonyabb sebességfokozat. Ezt a sebességfokozatot kismennyiségű gőznél használja.
- II- Közepes sebességfokozat. Ezt a sebességfokozatot közepes mennyiségű gőznél használja, pl. amikor több ételt főz egyszerre.
- III- Legmagasabb sebességfokozat. Ezt a sebességfokozatot nagymennyiségű gőznél használja, pl. sütés, illetve grillezés során.
- Kikapcsolt páraelszívó (a panel kihúzása nem eredményezi a páraelszívó motorjának bekapcsolását).

A  jelzésű gomb a világítás be- illetve kikapcsolására szolgál. A páraelszívó világítása a motortól függetlenül működik. A végálláskapcsoló kikapcsolja a világítást amikor Ön becsúsztatja az előlapot.

## **A páraelszívó működésével kapcsolatos egyéb fontos információk**

**Keringtető üzemmódban való működés:** Ebben az üzemmódban a szűrt levegő az erre a célra kialakított nyílásokon keresztül visszatér a helyiségbe. Ebben a beállításban egy szenszűrőt kell felszerelni, és javasoljuk a légfűvő felszerelését (a rendelkezésre állás függ a modelltől, főként kéményes páraelszívóknál kapható).

**Elszívó üzemmódban való működés:** Az elszívó üzemmódban történő használatnál a levegő a kültérbe van elvezetve egy speciális cső segítségével. Ennél az üzemmódnál el kell távolítani a szenszűrőt. A páraelszívó a levegő elvezető nyíláshoz egy speciális, merev vagy flexibilis 150 mm, illetve 120 mm átmérőjű cső és megfelelő rögzítő elemek segítségével van csatlakoztatva, melyeket az efféle áruk forgalmazásával foglalkozó üzletekben lehet megvásárolni. A telepítést szakképzett szakemberre kell bízni.

**A ventilátor sebessége:** A legalacsonyabb és a középső sebességfokozatot normális körülmények között és kisméretű gőz kibocsátásnál kell használni, míg a legnagyobb sebességfokozatot a gőzök nagy koncentrációjánál kell használni, mint pl. sütés közben, illetve grillezésnél.

**Figyelem (csakis az univerzális páraelszívókra vonatkozik):** Az univerzális páraelszívók szerkezete manuális üzemmód átállítást igényel. Az üzemmód megváltoztatásának módját a 8. ábra szemlélteti.

**Figyelem (csak a beépíthető és teleszkópos páraelszívókra vonatkozik):** A bútorba beépített és a teleszkópos páraelszívóknál keringtető üzemmódban levegő elvezető cső felszerelése szükséges. A cső másik végét a helyiségre kell irányítani, ezen keresztül áramlik majd a megszárt levegő.

**Figyelem:** A felfüggesztett páraelszívók csakis elszívó üzemmódban üzemelnek.

# TISZTÍTÁS ÉS KARBANTARTÁS

## Karbantartás

A rendszeres karbantartás és tisztítás megfelelő és hibamentes működést, valamint hosszabb élettartamot biztosít a páraelszívónak. Különös figyelmet kell fordítani arra, hogy a zsírszűrő és az aktív szénoszűrő a gyártó utasításainak megfelelően legyen tisztítva és kerüljön kicserélésre.

- Ne használjon nedves rongyot, illetve szivacsot vagy pedig folyóvizet.
- Ne használjon oldószert, illetve alkoholt, ugyanis ezek károsíthatják a festett felületeket.
- Ne használjon maró hatású anyagokat, különösen a rozsdamentes felületek tisztítására.
- Ne használjon kemény, durva rongyot
- Tisztításnál nem invazív hatású szereket és enyhén vizes törlőkendőt ajánlatos használni.

Figyelem: Többszöri, a mosogatógépben történő tisztítást követően az alumínium szűrő színe megváltozhat. A színváltozás nem jelent meghibásodást illetve nincs szükség a szűrő kicserélésére.

## Zsírszűrő

Az alumínium zsírszűrőt a páraelszívó normális módon történő használatánál havonta kell tisztítani, mosogatógépben illetve kézi mosogatás által, enyhe hatású mosogatószer illetve folyékony szappan segítségével. Az alumínium zsírszűrő leszerelésének módja az 5. rajzon látható.

Néhány modellnél akril szűrő van alapfelszereltségen. Ezt legalább kéthavonta egyszer kell cserélni, illetve gyakrabban, ha a páraelszívót intenzíven használja.

## Szénoszűrő

A szénoszűrőket csak akkor használjuk, amikor a páraelszívót nem csatlakoztattuk a szellőző rendszerhez. Az aktív szén tartalmazó szűrő magába szívja a főzés közben keletkező szagokat, egészen amíg meg nem telik. Nem lehet a szűrőt megtisztítani illetve újrahasználni, ezért legalább kéthavonta ki kell cserélni, ha intenzíven használjuk a páraelszívót, akkor gyakrabban.

A szénoszűrő kicserélésének módját a 6. rajz mutatja.

## Világítás

Csak olyan paraméterű izzókat / halogén lámpákat / diódos modulokat szabad használni, mint amilyenek a gyárilag felszereltek voltak. A világítás kicserélésének módját a 7. rajz mutatja. Ha a használati utasításban nem található az ezt bemutató rajz, akkor a világító modul cseréjét csak a szakszervizben lehet elvégezni.

# GARANCIA ÉS VÁSÁRLÁS UTÁNI SZERVIZ

## Garancia

Garanciális szolgáltatás a garanciajegy alapján A gyártó nem felelős a készülék helytelen használat okozta károkért.




**A készülék gyártója azt javasolja, hogy az összes javítási, illetve karbantartási tevékenységet a Gyári Szakszerviz illetve a Gyártó Márkaszervize végezze el. A javítási munkákat csakis szakképzett személy végezheti el.**


### A gyártó nyilatkozata

A gyártó ezennel kijelenti, hogy a termék megfelel a következő EU direktíváknak:

- 2014/35/EC Alacsony feszültségű direktíva
- 2014/30/EC Elektromágneses kompatibilitás direktíva
- 2009/125/EC
- RoHS 2011/65/EC

Ezért is a terméket  jellel látta el és egy megfelelőségi nyilatkozatot adott ki hozzá, amelyet a tagországok piacfelügyelő hatóságai rendelkezésére bocsátott.

# Уважаеми потребителю,

От днес ежедневните задължения ще бъдат по-лесни от всякога. Уредът  съчетава изключително лесно обслужване и отлична ефективност. След като прочетете инструкцията, обслужването му няма да бъде трудно.

Още в завода, преди да бъде опакован, уредът е старателно тестван за безопасност и функционалност в контролните стендове.

Моля, прочетете внимателно тази инструкция, преди да включите уреда. Спазването на посочените в нея препоръки ще Ви предпази от неправилно използване на уреда. Запазете тази инструкция и я съхранявайте така, че винаги да имате достъп до нея.

**Спазвайте стриктно правилата на инструкцията за употреба, за да избегнете нещастни случаи.**

С уважение

 **Hansa**  
Haushaltsgeräte

# ПРЕПОРЪКИ ОТНОСНО БЕЗОПАСНОСТТА

- Преди да използвате аспиратора, трябва да се запознаете с настоящата инструкция
- Уредът е предназначен за използване само в домакинството.
- Производителят запазва правото си да въвежда промени нямащи влияние на действието на уреда.
- Производителят не носи никаква отговорност за евентуални щети или пожари, причинени от уреда, възникнали в резултат на неспазване на указанията от настоящата инструкция.
- Кухненският аспиратор е предназначен за отвеждане на парата от помещението. Не бива да се използва за други цели.
- Аспиратор, работещ в режим на отвеждане на парата, трябва да бъде присъединен към съответен вентилационен канал (не бива да се присъединява към комини и канали за отвеждане на дим или изгорели газове, които се използват). За правилната работа на аспиратора е необходим монтаж на канал, отвеждащ въздуха навън. Дължината на канала (обикновено трябва  $\varnothing$  120 mm или 150 mm) не трябва да бъде по-голяма от 4-5 метра. При телескопичните и мебелните аспиратори, работещи в режим абсорбатор, също се изисква канал за отвеждане на въздуха.
- За правилната работа на аспиратор, работещ в режим абсорбиране, е необходимо инсталирането на филтър с активен въглен. В този случай не е необходимо инсталирането на отвеждащ въздуха навън канал, но се препоръчва монтаж на направляваща клапа на въздушния поток (само за коминни аспиратори).
- Аспираторът е оборудван с независимо освет-

ление и смукателен вентилатор с възможност за настройка на една от няколко достъпни скорости на работа.

- В зависимост от версията на уреда аспираторът е предназначен за стационарен монтаж върху вертикална стена над газова или електрическа печка (коминни и универсални аспиратори); върху тавана над газова или електрическа печка (аспиратори за кухненски остров); върху вертикална стена с вграждане в кухненски шкаф над газова или електрическа печка (телескопични аспиратори и аспиратори за вграждане). Преди монтажа трябва да се уверите, дали конструкцията на стената / тавана е подходяща да издържи теглото на аспиратора. Някои от моделите аспиратори са много тежки.
- Височината на монтаж на уреда над електрически кухненски плот е посочена в картата на продукта (техническа спецификация на уреда). Ако в инструкциите за инсталиране на газовите устройства е посочено по-голямо разстояние, това условие трябва да се спази (Фиг. 1).
- Под кухненския аспиратор не бива да се оставя открит пламък. По време на снемане на съдовете от газовата горелка пламъкът трябва да е настроен на минимум. Винаги трябва да се провери, дали пламъкът не излиза извън дъното на съда, тъй като това причинява сериозни загуби на енергия и опасно кумулиране на топлина.
- Ястията, приготвяни върху мазнини трябва да бъдат под непрекъснат надзор, тъй като нагорещената мазнина може лесно да се запали.
- Преди всяко почистване, смяна на филтъра или провеждане на ремонтни дейности трябва да изключите щепсела на уреда от контакта.
- Филтърът срещу мазнини на кухненския аспи-

ратор трябва да се почиства най-малко веднъж месечно, тъй като напоен с мазнина е леснозапалим.

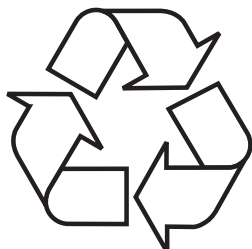
- Ако в помещението, освен аспиратора, се използват други уреди, които не се хранват от електричество (например печки за течни горива, радиатори, водни нагреватели), трябва да осигурите съответна вентилация на помещението (приток на въздух). Безопасната експлоатация е възможна, ако при едновременната работа на аспиратора и изгарящите уреди, зависими от въздуха в помещението, в мястото на инсталирането на тези уреди стойността на подналягането не надвишава 0,004 милибара (това условие не важи, когато кухненският аспиратор се използва като абсорбатор на мизирими).
- Аспираторът не бива да се използва като подпорна повърхност от лицата, намиращи се в кухнята.
- Аспираторът трябва да се почиства често както отвън, така и отвътре (ПОНЕ ВЕДНЪЖ МЕСЕЧНО със спазване на указанията, посочени в настоящата инструкция). Неспазването на правилата за почистване на аспиратора и подмяна на филтрите може да доведе до опасност от пожар.
- В случай на увреждане на хранващия кабел трябва да го подмените в специализиран сервиз.
- Трябва да бъде осигурена възможност за изключване на уреда от хранващата мрежа чрез изваждане на щепсела или изключване на двуполюсния прекъсвач.
- Това оборудване не е предназначено за използване от лица (включително деца) с намалени физически, сетивни или умствени способности или лица без опит или познания, освен



ако те са под наблюдение или са инструктирани относно използването на оборудването от лицата, отговорни за тяхната безопасност.

- Трябва да обърнете особено внимание, уредът да не се ползва от деца без надзор.
- Проверете, дали посоченото върху информационната табела на уреда напрежение е в съответствие с параметрите на местната хранваща мрежа.
- Преди монтажа развийте и изправете хранващия кабел.
- По време на разопаковане опаковъчните материали (торби от полиетилен, стиропор и т.н.) трябва да се държат далеч от деца.
- Преди включване на аспиратора към хранващата мрежа винаги трябва да проверите, дали хранващият кабел е инсталиран правилно и НЕ е смачкан от аспиратора по време на монтажните дейности. Не включвайте уреда към електрическата мрежа преди завършване на монтажа.
- Ползването на аспиратора без монтирани алуминиеви филтри срещу мазнини е забранено.
- Строго е забранено приготвянето на ястия под аспиратора с използване на открит пламък (фламбиране).
- Следва стриктно да се спазват издадените от местните власти разпоредби, отнасящи се за необходимите за прилагане технически средства и средства за безопасност в областта на отвеждането на изгорели газове.
- Недостатъчното затягане на винтовете и закрепващите елементи в съответствие с настоящата инструкция може да доведе до опасност за здравето и живота.
- Всяките аспиратори работят само в режим за абсорбиране на миризми

## РАЗОПАКОВАНЕ

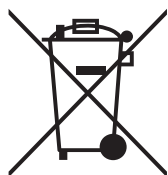


Устройството е защитено от повреди по време на транспорт. След разопаковане на устройството, моля, не забравяйте да премахнете опаковъчните материали по екологично съобразен начин.

Всички материали, използвани за опаковане, са безопасни за околната среда, 100% рециклируеми и затова са отбелязани със съответния символ.

Внимание! По време на разопаковане опаковъчните материали (торби от полиетилен, стиропор и т.н.) трябва да се държат далеч от деца.

## ОБЕЗВРЕЖДАНЕ НА ИЗНОСЕНИ УРЕДИ



Това устройство е маркирано в съответствие с Европейската директива 2012/19/ЕС и на полския закон за електрически и електронни отпадъци със задраскан контейнер за отпадъци. Тази маркировка показва, че това оборудване, след определен период на ползване,

не може да се изхвърля заедно с другите битови отпадъци.

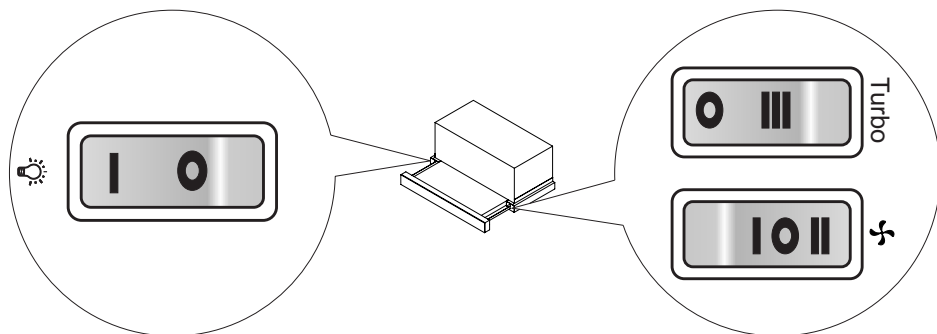
Потребителят е длъжен да го предаде там, където се събират отпадъци от електрическо и електронно оборудване. Събирателните пунктове, в това число местни пунктове за събиране, магазини или общински структури създават система, която позволява предаване на оборудването.

Подходящото третиране на отпадъците от електрическо и електронно оборудване помага за избягване на вредни за човешкото здраве и околната среда последици, произтичащи от наличието на опасни вещества, както и неправилно съхранение и обработка на такова оборудване.

# ОБСЛУЖВАНЕ

## Управление на абсорбатора


Панелът за управление на абсорбатора е представен върху фиг. 4, намира се също така и по-долу:



Панелът за управление е оборудван с бутони от тип rocker. Те се виждат след изтегляне на телескопичния фронт на абсорбатора. Телескопичният абсорбатор е оборудван с краен прекъсвач. Всеки път, когато изтеглите телескопичния фронт, абсорбаторът ще започне работа с последната зададена скорост.

Възможни скорости на работа (при изтеглен фронт):

- I- Най-ниска скорост. Тази скорост се използва при малко количество пара.
- II- Средна скорост. Тази скорост се използва при средна интензивност на парата, например по време на готвене на много ястия наведнъж.
- III- Най-висока скорост. Тази скорост е предназначена за използване при най-висока интензивност на парата - например по време на пържене или печене на грил.
- Изключен абсорбатор (изтеглянето на панела няма да включи двигателя на абсорбатора).

Бутонът, означен като  е предназначен за включване или изключване на осветлението. Осветлението в абсорбатора функционира независимо от двигателя на абсорбатора. Крайният прекъсвач изключва осветлението и когато пхнете телескопичния фронт.

## **Други важни информации за обслужването на абсорбатора**

**Работа като абсорбатор:** При тази опция филтрираният въздух се връща обратно в помещението посредством предвидените за това отвори. При този режим на работа трябва да монтирате въглен филтър и се препоръчва монтиране на направляващ потока на въздуха елемент (достъпен в зависимост от модела, среща се главно в абсорбаторите от коминен тип).

**Работа като аспиратор:** В режим за отвеждане на въздуха аспираторът отвежда въздуха навън през специален канал. При този режим на работа трябва да отстраните евентуалния въглен филтър. Аспираторът е присъединен към отвеждащия въздуха отвор с помощта на твърда или еластична тръба с диаметър 150мм или 120мм и съответни скоби за тези тръби, които трябва да се закупят в магазините за инсталационни материали. Свързването на аспиратора към отвора трябва да бъде извършено от квалифициран инсталатор.

Скорост на вентилатора Най-ниската и средната скорост се използват при нормални условия и малка интензивност на парата. Най-високата скорост да се използва само при висока интензивност на парата в кухнята, например при пържене или печене на скара.

**Забележка** (отнася се само за универсалните абсорбатори): Конструкцията на универсалните абсорбатори изисква ръчна смяна на режима на работа на уреда. Начинът на смяна на режима е показан върху фигура 8.

**Забележка** (отнася се само за вградени в мебели и телескопични аспиратори): В случай на аспираторите за вграждане в кухненски шкаф и телескопичните аспиратори, които работят в режим абсорбатор, трябва да се инсталира тръба, отвеждаща въздуха. Вторият край на тръбата трябва да насочите към помещението, през нея ще бъде отвеждан филтрирания въздух.

**Забележка:** Висящите аспиратори работят само в режим абсорбатор.

# ПОЧИСТВАНЕ И ПОДДРЪЖКА

## Поддръжка

Редовната поддръжка и почистване на уреда ще осигурят добра и безаварийна работа на аспиратора и ще удължат неговия експлоатационен живот. Трябва да се обърне особено внимание почистването и смяната на филтъра за мазнини и въгления филтър да се изпълнява съгласно препоръките на производителя.

- Да не се използват овлажнени кърпи или гъби, нито водна струя.
- Да не се използват разтворители, нито алкохол, тъй като могат да причинят матиране на лакираните повърхности.
- Да не се използват разяждащи вещества, особено за почистване на повърхности, изработени от неръждаема стомана.
- Да не се използва твърда, драскаща кърпа
- Препоръчва се използването на влажна кърпа и неутрални миещи препарати.

Забележка: След няколкократно миене в съдомиялна машина цветът на алуминиевия филтър може да се промени. Промяната на цвета не означава несъответствие и не е необходима смяна на филтъра.

## Филтър за мазнини

Алуминиевият филтър за мазнини трябва да се почиства ежемесечно при нормална работа на аспиратора. Да се мие в съдомиялна машина или ръчно с използване на неагресивен миещ препарат или течен сапун.

Демонтажът на алуминиевия филтър за мазнини е показан върху фигура 5.

В някои от моделите е използван акрилен филтър. Трябва да се сменява поне веднъж на 2 месеца или по-често в случай на изключително интензивно използване.

## Въглен филтър

Въгленият филтър се използва само тогава, когато аспираторът не е присъединен към вентилационен канал. Филтърът с активен въглен има способност да поглъща миризмите, докато се насити. Не е подходящ за миене, нито за регенериране и трябва да се сменява поне веднъж на 2 месеца или по-често в случай на изключително интензивно използване.

Демонтажът на въгления филтър е показан върху фигура 6.

## Осветление

Трябва да използвате крушки / халогенни лампи / диодни модули със същите параметри, както фабрично монтираните в уреда. Начинът на смяна на осветителните тела е показан върху фигура 7. Ако в настоящата инструкция тази фигура не е показана, това означава, че осветлението може да бъде подменено само от оторизиран сервиз.

# ГАРАНЦИЯ, СЛЕД ПРОДАЖБЕНО ОБСЛУЖВАНЕ

## Гаранция

Гаранционна поддръжка според гаранционната карта. Производителят не отговаря за повреди и каквито и да било щети настъпили в резултат от неправилното използване на уреда.



**Производителят на оборудването препоръчва всички ремонти и дейности по настройка да се извършват от Фабричния Сервиз или от Оторизиран Сервиз на Производителя. Ремонтите трябва да се извършват само от лице, притежаващо съответните квалификации.**


### Декларация на производителя

Производителят декларира, че продуктът отговаря на съществените изисквания на европейските директиви, изброени по-долу:

- Директива 2014/35/ЕО за ниско напрежение
- Директива 2014/30/ЕО за електромагнетична компатибилност
- Директива 2009/125/ЕО
- Директива RoHS 2011/65/ЕО

и поради това продуктът е маркиран с **CE** и му е издадена декларация за съответствие на разположение на надзорните органи на пазара.

# Уважаемый Клиент

С сегодняшнего дня ежедневные обязанности станут более легкими, чем когда-либо. Устройство  это сочетание исключительной легкости в использовании и отличной эффективности. После прочтения инструкции обслуживание не будет проблемой.

Оборудование, выпущенное с завода, было тщательно проверено перед упаковкой с точки зрения безопасности и функциональности на контрольно-испытательных стендах.

Просим внимательно прочитать инструкцию по эксплуатации перед запуском устройства. Соблюдение изложенных в ней указаний защитит Вас от неправильной эксплуатации. Храните инструкцию в доступном месте, чтобы в случае необходимости она всегда была под рукой.

**Строго соблюдайте инструкцию по эксплуатации с целью предотвращению несчастных случаев.**

С уважением

 **Hansa**  
Haushaltsgeräte

# УКАЗАНИЯ ПО ТЕХНИКЕ БЕЗОПАСНОСТИ

- Прежде чем пользоваться вытяжкой, внимательно прочитайте настоящую инструкцию по эксплуатации
- Прибор предназначен исключительно для домашнего пользования.
- Производитель оставляет за собой право вносить в конструкцию изделия изменения, не влияющие на его функционирование.
- Производитель не несет ответственность за возможные повреждения, возгорания или пожар, вызванные неправильной эксплуатацией прибора в результате несоблюдения рекомендаций настоящей инструкции.
- Кухонная вытяжка служит для устранения кухонных запахов и испарений. Запрещается использовать для иных целей.
- Вытяжку, работающую в режиме отвода, необходимо подключить к соответствующему вентиляционному каналу (запрещается подсоединять к эксплуатируемым воздуховодам, дымоходам или вентиляционным шахтам, к которым подсоединены устройства горения). Для вытяжки необходима установка воздуховода с оттоком воздуха наружу. Длина воздуховода (чаще всего труба Ø 120 мм или 150 мм) не должна быть больше 4-5 м. Воздуховод также требуется при телескопических и мебельных вытяжках в режиме поглощения.
- Для вытяжки, работающей в режиме поглощения, необходимо установить фильтр с активированным углем. В этом случае нет необходимости устанавливать воздуховод с оттоком воздуха наружу, но рекомендуется монтаж регулятора оттока воздуха (только проточные вытяжки).
- Вытяжка оборудована независимым освещени-



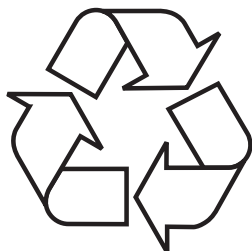
ем и вытяжным вентилятором с возможностью выбора одной из нескольких скоростей работы вентилятора.

- В зависимости от версии устройства, вытяжка предназначена для стационарного монтажа к вертикальной стене над газовой или электрической плитой (проточные и универсальные вытяжки); к потолку над газовой или электрической плитой (островные вытяжки); в шкаф на вертикальной стене над газовой или электрической плитой (телескопические или встраиваемые в шкаф). Перед монтажом необходимо убедиться выдержит ли стена / потолок приобретенную Вами вытяжку. Некоторые модели вытяжек очень тяжелые.
- Высота монтажа устройства над электрической плитой указана в паспорте продукта (техническая спецификация устройства). Если в инструкции по установке газовых приборов указано большее расстояние, это необходимо учесть (Рис. 1).
- Под кухонной вытяжкой запрещается оставлять открытый огонь во время снятия кастрюли с плиты, нужно отрегулировать минимальное пламя. Отрегулируйте пламя таким образом, чтобы оно ни в коем случае не выходило за пределы посуды, поскольку это приводит к нежелательной потере энергии и опасной концентрации тепла.
- При приготовлении блюд с большим количеством жира или масла нельзя оставлять плиту без присмотра. Перегретое масло или жир может самовоспламениться и привести к возгоранию вытяжки.
- Каждый раз перед чисткой, заменой фильтра или ремонтом отсоединить вытяжку от источника питания.
- Жироулавливающий фильтр для кухонной вытяжки чистить не реже, чем 1 раз в месяц, поскольку насыщенный жиром фильтр становится легко воспламеняемым.

- Если в помещении, в котором установлена вытяжка, предполагается эксплуатация других неэлектрических приборов (напр. печей, котлов, работающих на жидком топливе, бойлеров или проточных водонагревателей), необходимо обеспечить достаточную вентиляцию (подачу воздуха). Безопасная эксплуатация при одновременной работе вытяжки и зависимых от комнатного воздуха устройств горения в месте установки этих устройств возможна только в том случае, если разряжение не превышает 0,004 мбар (данное условие не обязывает в случае, если кухонная вытяжка используется в режиме рециркуляции в качестве поглотителя запахов).
- Запрещается опираться на кухонную вытяжку локтями.
- Вытяжку следует часто чистить как снаружи, так и внутри (НЕ РЕЖЕ РАЗА В МЕСЯЦ, с соблюдением указаний, касающихся консервации, которые представлены в настоящей инструкции). Несоблюдение принципов, касающихся очистки вытяжки и замены фильтров, может стать причиной возникновения опасности пожара.
- В случае повреждения электрического провода его замену следует производить только в специализированной ремонтной мастерской.
- Необходимо обеспечить возможность отсоединения прибора от питающей сети при помощи двухполюсного выключателя или вытягивая электропровод из розетки.
- Не разрешайте пользоваться прибором детям и лицам с ограниченными физическими, ментальными и умственными возможностями, не имеющим опыта и умения, разве что под надзором или до тех пор, пока они не будут обучены и ознакомлены с инструкцией по эксплуатации прибора.
- Нужно обратить особое внимание на то, чтобы дети не смогли воспользоваться устройством,

- когда останутся без родительского надзора.
- Убедитесь, что напряжение в сети соответствует напряжению, указанному на заводском щитке кухонной вытяжки.
  - Перед установкой вытяжки необходимо размотать и выпрямить шнур электрического питания.
  - Упаковочные материалы (полиэтиленовые пакеты, пенополистирол и т.д.) необходимо хранить вдали от детей.
  - Перед подключением вытяжки к сетевому питанию следует всего проверять, правильно ли установлен кабель питания и НЕ придавлен ли он вытяжкой в ходе монтажных работ. Не подключайте устройство к электросети до завершения установки.
  - Запрещается пользоваться вытяжкой без установленных алюминиевых жироулавливающих фильтров.
  - Строго запрещается готовить блюда под вытяжкой с использованием открытого огня (фламбирования).
  - В области применения необходимых технических средств и средств безопасности для отвода отработанного газа нужно строго соблюдать положения, выданные компетентными местными органами.
  - Не до конца затянутые винты и крепежные элементы, как это указано в настоящей инструкции, могут создать опасность для жизни и здоровья.
  - Подвесные вытяжки действуют только в режиме поглощения запахов.

# РАСПАКОВКА



На время транспорта прибор упакован и предохраняется таким образом, чтобы избежать его повреждения. После распаковки просим обращаться с упаковочными материалами таким образом, чтобы они не угрожали окружающей среде.

Все упаковочные материалы являются неопасными для окружающей среды, полностью (на 100%) годятся для вторичного использования и маркируются соответствующим символом.

Внимание! Упаковочные материалы (полиэтиленовые пакеты, пенополистирол и т.д.) необходимо хранить вдали от детей.

# УТИЛИЗАЦИЯ ИЗНОШЕННОГО ОБОРУДОВАНИЯ



Данный прибор маркируется символом перечеркнутого мусорного контейнера в соответствии с Европейской директивой 2012/19/ЕС и польским законом об утилизации электроприборов и электронного оборудования. Такая маркировка сообщает, что вышедшие из строя приборы, маркированные этим символом, нельзя выбрасывать вместе с бытовым мусором.

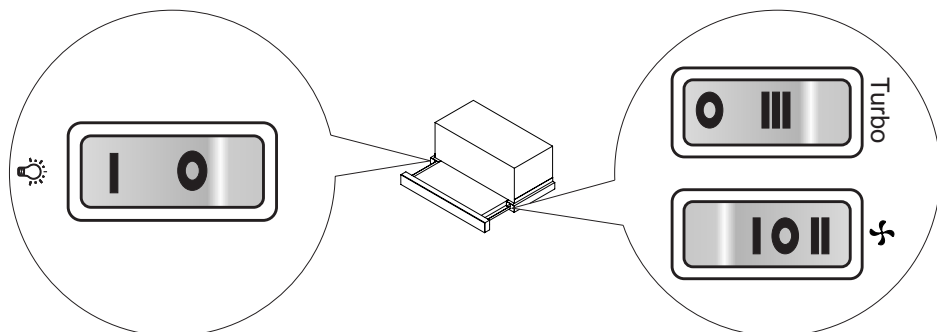
Пользователи обязаны передавать непригодные приборы в специализированные организации, занимающиеся утилизацией электроприборов и электронного оборудования. Местные пункты приема ненужных и непригодных электроприборов, магазины и гминные организации образуют систему, позволяющую утилизировать такого рода отходы.

Правильное обращение с непригодными электроприборами и электронным оборудованием позволяет избежать вредных последствий для окружающей среды и здоровья людей, связанных с содержанием в них опасных веществ и ненадлежащим хранением и переработкой такого рода изделий.

# ЭКСПЛУАТАЦИЯ

## Управление вытяжкой


Панель управления вытяжки представлена на рисунке 4, для напоминания она также находится ниже:



Панель управления оснащена кнопками (качающимися). Они видны после выдвижения телескопической фронтальной панели. Телескопическая вытяжка оснащена концевым переключателем. После каждого выдвижения телескопической фронтальной панели вытяжка начнет работать на ранее установленной скорости.

Если возможность настройки скоростей (при выдвинутой фронтальной панели):

- I- Минимальная скорость. Используйте эту скорость при не очень большом количестве пара.
- II- Средняя скорость. Используйте эту скорость при среднем количестве пара, например, при приготовлении нескольких блюд одновременно.
- III- Максимальная скорость. Используйте эту скорость при максимальном количестве пара, например, во время жарки или приготовления на гриле.
- O- Вытяжка выключена (выдвижения панели не вызывает запуска двигателя вытяжки).

Кнопка, обозначенная символом  предназначена для включения или отключения освещения. Освещение в вытяжке функционирует независимо от двигателя вытяжки. Концевой переключатель вызывает также выключение света, когда фронтальная панель убирается.

## **Прочая важная информация о работе вытяжки**

**Работа в качестве фильтра-поглотителя:** В этом варианте работы отфильтрованный воздух возвращается обратно в помещение через приспособленные для этого отверстия. Для работы этом режиме должен быть установлен угольный фильтр, а также рекомендуется установить выпускной воздуховод (доступность зависит от модели, встречается, главным образом, в вытяжных шкафах).

**Работа в режиме отвода воздуха:** В этом режиме кухонная вытяжка выбрасывает загрязненный кухонный воздух из помещения наружу при посредстве специального воздуховода. В этом случае следует извлечь угольный фильтр из вытяжки. Вытяжка подсоединяется к отверстию для отвода воздуха с помощью гибкого или пластикового рукава диаметром 150 мм или 120 мм и соответствующих крепежных скоб, которые можно приобрести в специализированных магазинах. Подсоединение могут выполнять только квалифицированные специалисты.

**Скорость вентилятора:** Малая и средняя скорости используются при обычных условиях и низкой концентрации паров, максимальная скорость используется только при высокой концентрации паров на кухне, например, во время жарки или использования гриля.

**Примечание (относится только к универсальным вытяжкам):** Конструкция универсальных вытяжек требует ручного изменения режима работы. Способ изменения показан на рисунке 8.

**Примечание (относится только к телескопическим и встроенным вытяжкам):** Телескопические и встроенные в шкаф вытяжки, работающие в режиме поглощения, требуют подсоединения трубы для оттока воздуха. Второй конец трубы направить на помещение, через нее будет выходить очищенный воздух.

**Примечание:** Подвесные вытяжки действуют только в режиме поглощения запахов.

# ЧИСТКА И УХОД

## Консервация

Регулярная очистка и консервация гарантируют надежную и продолжительную работу кухонной вытяжки. Особое внимание следует обратить на замену алюминиевых жироулавливающих и угольных фильтров в соответствии с рекомендациями производителей.

- Запрещается использовать сильно мокрые тряпочки или мочалки, а также мыть вытяжку под струей воды
- Запрещается использовать для очистки спиртосодержащие средства и растворители, поскольку они вызывают помутнение лакированной (нержавеющей) поверхности,
- Запрещается использовать агрессивные чистящие средства, особенно для чистки поверхностей из нержавеющей стали,
- Запрещается использовать жесткие тряпочки и мочалки.
- Рекомендуется чистить влажной тканью с применением нейтральных моющих средств.

Примечание: После того, как несколько раз помыть алюминиевый фильтр в посудомоечной машине, его цвет может измениться. Изменение цвета не означает неисправность или необходимость его замены.

## Жироулавливающий фильтр

Алюминиевый жироулавливающий фильтр следует чистить один раз в месяц при нормальной работе вытяжки, в посудомоечной машине или вручную, применяя мягкое чистящее средство или жидкое мыло. Демонтаж алюминиевого жироулавливающего фильтра показан на рисунке 5.

В некоторых моделях применяется акриловый фильтр. Его необходимо менять каждые 2 месяца или чаще в случаи исключительно интенсивного использования.

## Угольный фильтр

Угольный фильтр применяется исключительно в случаях, когда вытяжка подсоединена к вентиляционному воздуховоду. Фильтры с активным углем поглощают запахи вплоть до полного насыщения. Такой фильтр нельзя ни мыть, ни регенерировать, его необходимо заменять, по крайней мере, один раз в 2 месяца или чаще, по мере загрязнения, если вытяжка работает исключительно интенсивно.

Демонтаж угольного фильтра показан на рисунке 6.

## Освещение

Применять лампы накаливания / галогены / диодные модули с такими же параметрами, как лампочки заводской установки. Замена лампочки показана на рисунке 7. Если в данном руководстве нет этого рисунка, замену модуля освещения может произвести только авторизованный сервисный центр.

# ГАРАНТИЯ, ПОСЛЕПРОДАЖ- НОЕ ОБСЛУЖИВАНИЕ

## Гарантия

Правила гарантийного обслуживания изложены в гарантийном талоне. Производитель не отвечает за какой-либо ущерб, причиненный в результате ненадлежащего обращения с прибором.



**Производитель оборудования рекомендует, чтобы все ремонтные и регулировочные работы выполнялись заводской сервисной службой или авторизованной сервисной службой производителя. Ремонт должен выполняться только квалифицированным персоналом.**

### Производитель свидетельствует

Настоящим производитель свидетельствует, что данный бытовой прибор отвечает основным требованиям нижеприведенных директив и требований


- директива по низковольтному оборудованию 2014/35/ЕС,
- директива по электромагнитной совместимости 2014/30/ЕС,
- директива по экологическому проектированию 2009/125/ЕС,
- требование „о безопасности низковольтного оборудования“ ТР ТС 004/2011,
- требование „электромагнитная совместимость технических средств“ ТР ТС 020/2011



Прибор маркируется единым знаком обращения **Eurasian Conformity**, и на него выдан сертификат соответствия для предъявления в органы контроля за рынком.



# Құрметті Тұтынушы,

Бүгіннен бастап күнделікті міндеттер анағұрлым жеңілденетін болады.  **Hansa** Haushaltsgeräte құрылғысы – бұл айтарлықтай оңай пайдалану мен керемет тиімділіктің үйлесімі. Нұсқаулықты оқып шыққаннан кейін қызмет көрсету еш қиындық тудырмайды.

Зауыттан шығарылған жабдық қапталар алдында бақылау-сынау стендтерінде қауіпсіздік және атқарымдылық тұрғысынан мұқият тексерілді .

Дұрыс қызмет көрсетпеуінің алдын алу үшін ас үй сорғышын қосар алдында аталмыш пайдалану жөніндегі нұсқаулықпен мұқият оқып танысу керек. Нұсқаулықта көрсетілген нұсқауларды сақтау Сіздің плитаны дұрыс пайдаланбауыңыздың алдын алады. Нұсқаулықты сақтаған дұрыс және оны әрдайым қоластында болатын орындарда ұстаған жөн.

**Төтенше жағдайлардың алдын алу үшін,  
жұмысты нұсқаулық бойынша бастаңыз.**

Құрметпен

 **Hansa**  
Haushaltsgeräte

# ҚАУІПСІЗДІК ТЕХНИКАСЫ БОЙЫНША НҰСҚАУЛАР

- Сүзіндіні қолданар алдында, пайдалану бойынша осы нұсқауды зер салып оқыңыз
- Құрылғы тек тұрмыстық мақсатта ғана қолдануға арналған.
- Өндіруші құрылғы құрылымына қызметіне әсер етпейтін өзгерістерді енгізуге құқылы.
- Өндіруші осы нұсқаудағы ұсыныстарды қадағаламау нәтижесінде аспапты дұрыс пайдаланбаудан туындаған болуы мүмкін зақымдарға, жануға немесе өртке жауап бермейді.
- Асүй сүзіндісі асүй иістерін және булануын жою үшін қызмет етеді. Басқа да мақсаттар үшін қолдануға тыйым салынады.
- Бұру тәртібінде жұмыс істеп тұрған сүзіндіні, тиісті желдеткіш каналына қосу қажет (жану құрылғылары қосылған қаналушы ауа өткізгіштерге, түтіндіктерге немесе желдету шахталарына қосуға тыйым салынады). Сүзінді үшін ауаның сыртқа қайтуымен ауа өткізгішті орнату қажет. Ауа өткізгіштің ұзындығы (көбінесе Ø 120 мм-лік немесе 150 мм-лік құбыр) 4-5 м-ден артық болмауы тиіс. Ауа өткізгіш сіңіру режиміндегі телескопиялық және жиһаздық сіңіргіштерде де талап етіледі.
- Сорып алу тәртібінде жұмыс істейтін сүзінділер үшін белсендірілген көмірмен сүзгі орнату қажет. Осы жағдайда ауа сыртқа қайтарумен ауа өткізгішті орнату қажеттілігі жоқ, бірақ ауаны қайтаруды реттегіш құрастыру ұсынылады (тек ағынды сүзінді).
- Сүзінді желдеткіш жұмысының бірнеше жылдамдығынан біреуін таңдау мүмкіншілігімен

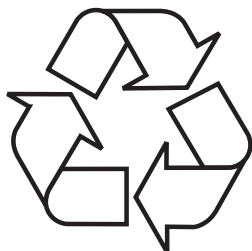
тәуелсіз жарықпен және сүзінді желдеткішімен жабдықталған.

- Құрылғының нұсқасына байланысты сүзінді газ немесе электрлік плита үстінен вертикаль қабырғаларына (ағынды және жан-жақты сүзінділер); газ немесе электр плита үстінен төбесіне (аралдық сүзінділер); газ немесе электрлік плита үстінен вертикаль қабырғасына шкафқа (телескоптық немесе шкафқа салып қоятын) тұрақты құрастыру үшін арналған. Құрастыру алдында Сізбен сатып алынған сүзіндіні қабырға/төбе ұстай алатынына көз жеткізу қажет Сүзіндінің кейбір үлгілері өте ауыр.
- Электрлік плитаның үстінен құрылғыны құрастыру биіктігі өнім төлқұжатында көрсетілген (құрылғының техникалық ерекшелігі). Газ жабдықтарын орнату жөніндегі нұсқаулықта ұзақ қашықтық көрсетілген болса, бұны ескеру керек (1 суреті).
- Асүй сүзіндінің астында плитадан кастрөлді алу уақытында ашық отты ашық қалдыруға тыйым салынады, алаудың ең төмендігін реттеу керек. Қуаттың орынсыз шығынына және заттың қауіпті шоғырлауына келтіретін болғандықтан, ыдыс-аяқтардың шектен тыс шықпауы үшін алауды ескеріңіз.
- Үлкен мөлшерлі маймен немесе сарымаймен ас әзірлеу кезінде плитаны қараусыз қалдыруға болмайды. Қызған май немесе сарымай өздігінен тұтануы және сүзіндінің жануына келтіруі мүмкін.
- Әр жолы тазалау, сүзгіні ауыстыру немесе жөндеу алдында қоректендіру көзінен сүзіндіні ажыратыңыз.
- Асүй сүзіндісіне арналған майтұтқы сүзгіні айына 1 рет тазалау қажет, себебі майға қаныққан сүзгі жеңіл тұтаналады.

- Сүзінді орнатылған жайда басқа электрлік емес аспаптарды пайдалану (мысалы, сұйық отындықта жұмыс істейтін пештер, қазандықтар, бойлер немесе ағынды су жылытқыштар), жеткілікті желдеткіштерді қамтамасыз ету қажет. Егер тоқты ажырату 0,004 мбар аспаған жағдайда ғана осы құрылғыларды орнату орнында жану құрылғысы бөлме ауасына байланысты және сүзіндінің бір уақытта жұмыс істеуі кезінде пайдалану қауіпсіздігі мүмкін (иістерді сіңіргіш ретінде асүй сүзінділері қолданылса осы шарттар міндеттелмейді).
- Асүй сүзіндісіне білекпен тірелуге тыйым салынады.
- Сіңіргіш осы нұсқаулықта көрсетілген консервацияға қатысты нұсқауларды ұстана отырып, ішінен де, сыртынан да жиі (АЙЫНА БІР РЕТТЕН СИРЕТПЕИ) тазартылуы тиіс. Сіңіргішті тазартуға және сүзгіштерді ауыстыруға қатысты қағидаттарды ұстанбау, өрт шығу қаупінің туындауына себеп болады.
- Электрлік сымында ақау болған жағдайда оны тек арнайы маманданған жөндеу шеберханасында алмастыру керек.
- Қос полюсті ажыратқыш немесе розеткадан электр өткізгішін созып тұру көмегімен қоректендіруші желіден аспапты ажырату мүмкіншілігін қамтамасыз ету қажет
- Балаларға және дене, мануальды және ақыл-ой мүмкіншілігі шектеулі тұлғаларға, олар оқытылғанға және аспапты пайдалану бойынша нұсқаумен таныстырылғанға дейін аспапты қолдануға рұқсат бермеңіз.
- Балалар ата-ананың қарауынсыз қалғанда, балалардың құрылғыны қолдана алмайтынына ерекше назар аудару қажет.
- Асүй сүзіндісінің зауыттық қалқаншасында көрсетілген қуатына желідегі қуаттың сәйкес

- келуіне көз жеткізіңіз.
- Сүзіндіні орнатар алдында электрлік қоректендірудің сымын тарқатып алу және түзету қажет.
  - Орау материалдарын (полиэтиленды қаптар, пенопласт бөлшектері және т.б.) құрылғыны ашу үрдісі кезінде балалардан алыс ұстау керек.
  - Сіңіргішті желілік қуат көзіне қосар алдында қуат кабелінің дұрыс орнатылғанын және монтаждау жұмыстары барысында сіңіргішпен ҚЫСЫЛМАҒАНЫН тексеріп алған жөн. Құрылғыны орнату аяқталғанға дейін электр желісіне қоспаңыз.
  - Май ұстайтын алюминийлі сүзгіштері орнатылмаған сіңіргіштерді пайдалануға тыйым салынады.
  - Ашық отты пайдаланумен сүзінді астында ас әзірлеуге қатаң тыйым (салынады).
  - Пайдаланылған газды бұру үшін қажетті техникалық құралдарды және қауіпсіздік құралдарын қолдану саласында құзіретті жергілікті органдармен берілген ережелерді қатаң қадағалау керек.
  - Осы нұсқауда көрсетілген соңына дейін бүркелмеген бұрамалар және бекітілмеген элементтер өмір және денсаулық үшін қауіптілік туындауы мүмкін
  - Аспалы сіңіргіштер иістерді сіңіру режимінде ғана жұмыс істейді

# ОРАУДАН АШУ



Құрылғыны тасымалдау кезінде зағымдалудан қорғау қарастырылған. Құрылғыны ашқаннан кейін орау элементтерін қоршаған ортаны ластанмай жинаңыз.

Орау үшін қолданылған барлық материалдар, қоршаған ортаға зиянсыз 100% қайта өңделе алады, сәйкес символмен таңбалауға ие.

Назар аударыңыз! Орау материалдарын (полиэтиленды қаптар, пенопласт бөлшектері және т.б.) құрылғыны ашу үрдісі кезінде балалардан алыс ұстау керек.

# ПАЙДАЛАНЫЛҒАН ҚҰРЫЛҒЫЛАРДЫ КӘДЕГЕ ЖАРАТУ



Осы құрылғы 2012/19/ЕС Еуропалық директивасына және Тозған электрлік және электрондық құрылғылар туралы польшалық заңға сәйкес сызып тасталған қоқыс контейнерінің таңбасымен таңбаланады. Бұндай таңбалау бұл құрылғыны, пайдаланудан кейін басқа да тұрмыстық қалдықтармен бірге лақтыруға болмай-

тындығы жайлы ақпараттандырады.

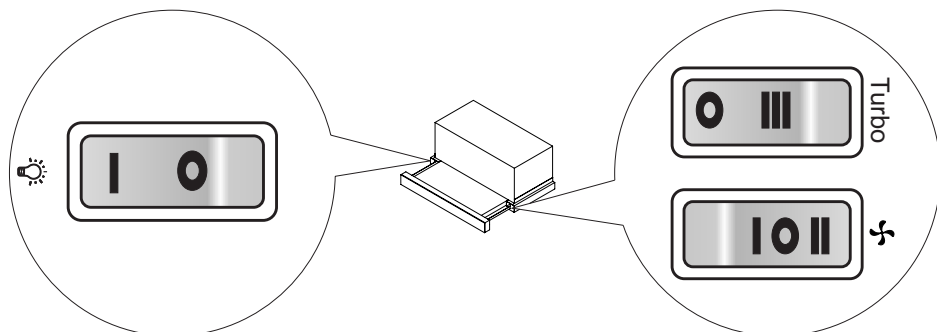
Пайдаланушы құрылғыны қолданыста болған электрлік және электрондық құрылғыларды жинаушыларға тапсыруға міндетті. Қалдықтарды жинаушылар, жинау пунктері, дүкендер және бөлімшелер бұл құрылғыны тапсыруға мүмкіндік беретін жүйені құрайды.

Пайдалануда болған электрлік және электрондық құрылғы адам денсаулығына және қоршаған орта салдарына, бар болатын қауіпті құрылымды элементтерінен, сонымен қатар мұндай құрылғының қайта дұрыс жұмыс істемеуіне және қоймалануына қауіптіліктің алдын алуға бұл қаулы мүмкіндік береді.

# ПАЙДАЛАНУ

## Сіңіргішті басқару


Сіңіргішті басқару панелі 4-суретте көрсетілген және еске түсіру үшін төменде келтірілген:



Басқару панелі батырмалармен (теңселмелі) жабдықталған. Олар телескоптық тұтас панельді жылжытқаннан кейін көрінеді. Телескоптық сорғыш ұштық ауыстырып-қосқышпен жабдықталған. Телескоптық тұтас панельді әбір жылжытқаннан кейін сорғыш ертеректе орнатылған жылдамдықпен жұмыс істей бастайды.

Егер жылдамдықтарды күйлеу мүмкіндігі (тұтас панель жылжытылған кезде):

- I- Ең төмен жылдамдық. Осы жылдамдықты булардың онша көп емес мөлшерінде қолданыңыз.
- II- Орташа жылдамдығы. Осы жылдамдықты булардың орташа мөлшерінде қолданыңыз, мысалы, бірнеше тағамды бір уақытта әзірлеген кезде.
- III- Ең жоғары жылдамдық. Осы жылдамдықты булардың ең жоғары мөлшерінде, мысалы, қуырған кезде немесе грильде ас әзірлеген кезде.
- Сорғыш сөндірулі (панельді жылжыту сорғыш қозғалтқышының іске қосылуын тудырмайды).

Нышанымен  белгіленген түйме жарықтандыруды қосуға немесе сөндіруге арналған. Сорғыштағы жарықтандыру сорғыштың қозғалтқышына тәуелденбей әрекет етеді. Ұштық ауыстырып-қосқыш татұтас панель алынып тасталған кезде жарықты сөндіреді.

## **Сорғыштың жұмысы туралы өзге маңызды ақпарат**

Сіңіргіш-сүзгі ретіндегі жұмысы: Бұл нұсқада әдетте сүзілген ауа осы арнайы бейімделген саңылау арқылы орынжайға кері қайтарылады. Осы тәртіпте жұмыс істеу үшін бұрыштық сүзгі орнатылуы тиіс, сондай-ақ шығарушы ауа өткізгішті орнатуға кеңес беріледі (қолжетімдігі үлгіге байланысты, ең алдымен, сорғыш шкафтарда кездеседі).

Ауа шығару тәртібінде жұмыс істеу: Ауаны шығару тәртібінде асүй сүзіндісі арнайы ауа өткізгіш жәрдеммен жайдан сыртқа ластанған асүй ауасын шығарып тастайды. Осы жағдайда сүзіндіден көмір сүзгісін шығарған дұрыс. Мамандандырылған дүкендерде сатып алуға болатын тиісті бекіту қапсырмаларымен және 150 мм немесе 120 мм диаметрлі иілгіш немесе пластикалық сала көмегімен ауаны шығару үшін тесікке сүзінді қосылады. Қосуды тек білікті мамандар ғана орындай алады.

Желдеткіштің жылдамдығы: Шағын және орта жылдамдық қалыпты шарттар және булардың төмен концентрациялауы кезінде қолданылады, максималды жылдамдық ас үйде булардың жоғары концентрациялауы кезінде ғана қолданылады, мысалы, қуыру немесе гриль қолдану уақытында.

Ескертпе (әмбебап сорғыштарға ғана қатысты): Әмбебап сорғыштардың құрылымы жұмыс тәртібін қолмен өзгертуді талап етеді. Өзгерту әдісі 8-суретте көрсетілген.

Ескертпе (телескоптық және кіріктірме сорғыштарға ғана қатысты): Шкафтағы телескоптық және салып қойылған сіңіру тәртібінде істейтін сүзінділер ауаның қайтуы үшін құбырды қосуды талап етеді. Құбырдың екінші соңғысын жайға бағыттаңыз, сол арқылы тазартылған ауа шығады.

Назар аударыңыз: Аспалы сорғыштар иістерді сіңіру тәртібінде ғана әрекет етеді.



# ТАЗАРТУ ЖӘНЕ КҮТІМ

## Консервациялау

Ұдайы тазалау және консервациялау асүй сүзіндісінің сенімді және жалғастыру жұмысына кепілденеді. Өндірушінің ұсыныстарына сәйкес алюминді май тұтқы немесе көмір сүзгілерін ауыстыруға ерекше назар аудару қажет.

- Қатты дымқыл шүберектерді немесе жөкелерді қолдануға, сонымен қатар суды сорғалатып сүзіндіні жууға тыйым салынады.
- Тазалау үшін спиртті және ерітінді құралдарын қолдануға тыйым салынады, себебі олар үстінің (тот баспайтын) лакталған лайлануды келтіреді.
- Тот баспайттын болаттан үстін тазалау үшін агрессивті жуу құралдарын қолдануға тыйым салынады.
- Қатты шүберектерді және, жөкелерді қолдануға тыйым салынады
- Бейтарап жуу құралдарын қолданумен ылғалды матамен тазалау ұсынылады.

Назар аударыңыз: Ыдыс жуу машинасында алюминді сүзгіні бірнеше рет жуғаннан кейін, оның түсі өзгеруі мүмкін. Түсті өзгерту жарамсыздықты немесе оны ауыстыру қажеттілігін білдірмейді.

## Май аулағыш сүзгі

Алюминді май тұтқы сүзгісін жұмсақ жуу құралдарын немесе сұйық сабынды қолданумен ыдыс жуу машиналарында немесе қолмен сүзіндінің қалыпты жұмысы кезінде айына бір рет тазалау қажет.

Алюминді май тұтқы сүзгілерін бөлшектеу 5 суретте көрсетілген.

Кейбір үлгілерде акрилдық сүзгілер қолданылады. Жіті қолдану жағдайындаоны 2 айда немесе жиірек ауыстыру қажет.

## Бұрыштық сүзгі

Көмір сүзгісі желдеткіш ауа өткізгішіне сүзінді қосылған жағдайда қолданылады. Белсендірілген көмір сүзгілері толық қанықтырғанға дейін иістерге шейін сіңіреді. Осындай сүзгіні жууға, регенациялауға болмайды, егер сүзінді жіті жұмыс істесе, ластану шарасы бойынша 2 айда бір рет немесе жиірек өте шарасы кезінде ауыстыру қажет.

Көмір сүзгісін бөлшектеу 6 суретте көрсетілген.

## Жарықтандыру

Зауытты орнату шамдары сияқты қыздыру/галоген/диодты үлгілердегі шамдарды қолдану. Шамдарды ауыстыру 7 суретте көрсетілген. Егер осы нұсқаулықта ондай сурет болмаса, жарықтандыру модулін авторластырған сервистік орталық ғана ауыстыра алады.

# КЕПІЛДІК, САТҚАННАН КЕЙІНГІ ҚЫЗМЕТ КӨРСЕТУ

## Кепілдік

Кепілдік қызмет көрсету ережесі кепілдік талонында баяндалған. Өндіруші кір жуғыш машинасын тиісті түрде қолданбау нәтижесінде келтірілген қандай да бір залал үшін жауапкершілік тартпайды.



**Жабдықты өндіруші барлық жөндеу және реттеу жұмыстарын өндірушінің зауыттық сервистік қызметінің немесе авторластырылған сервистік қызметінің орындауына кеңес береді. Жөндеуді білікті қызметкерлер құрамы ғана орындауы тиіс.**


### Өндірушінің мәлімдемесі

Осымен өндіруші тұрмыстық аспабының төмендегі көрсетілген негізгі талаптар мен басшылықтарына сәйкес келеді деп куәландырады;

- төменвольтті жабдықтар директивасы 2014/35/ЕС,
- электромагниттік үйлесімділік директивасы 2014/30/ЕС,
- қоршаған ортаны жобалау директивасы 2009/125/ЕС,
- „төмен вольтты жабдықтардың қауіпсіздігі үшін” талап TP TC 004/2011,
- „техникалық құралдардың электромагниттік үйлесімділігі” талап TP TC 020/2011

Аспап **EAC** сәйкестікті белгісімен таңбланады, және оған нарықты бақылау мекемелерге ұсынылатын сәйкестік сертификаты беріледі.

# Gerbiamas Kliente,

nuo šiol kasdienės pareigos pasidarys daug paprastesnės nei kada nors buvo. Prietaisas  yra ypač paprasto naudojimo ir puikaus veiksmingumo derinys. Perskaičius instrukciją, priežiūra nekels jokių problemų.

Prieš supakuojant gamyklos kontrolės tarnybos atidžiai patikrino įrangos saugą ir funkcionalumą.

Prieš jungdami prietaisą prašome atidžiai perskaityti naudojimo instrukciją. Laikydami instrukcijoje pateikiamų nurodymų, išvengsite netinkamo naudojimo atvejų. Instrukciją būtina išsaugoti ir laikyti taip, kad visada būtų po ranka.

**Būtina kruopščiai laikytis naudojimo instrukcijos nurodymų, kad išvengtumėte nelaimingų atsitikimų.**

Su pagarba

 **Hansa**  
Haushaltsgeräte

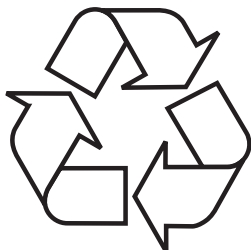
# SAUGOS NURODYMAI

- Gartraukį naudoti tik perskaičius šią instrukciją
- Įrenginys skirtas naudoti tik buityje.
- Gamintojas pasilieka teisę daryti pakeitimus, kurie nedaro įtakos prietaiso veikimui.
- Gamintojas neatsako už galimą žalą ar gaisrą, sukeltą prietaiso, jeigu nebuvo laikomasi šioje instrukcijoje pateikiamų nurodymų.
- Virtuvinis gartraukis skirtas garams šalinti. Nenaudoti kitiems tikslams.
- Ištraukiamuoju režimu veikiančią gartraukį prijungti prie atitinkamo vėdinimo kanalo (nejungti prie naudojamų kamino kanalų, dūmtakių ar išmetamųjų dujų kanalų). Būtina įrengti laukan orą šalinantį vamzdį. Vamzdis (dažniausiai  $\varnothing$  120 mm arba 150 mm) neturėtų būti ilgesnis nei 4–5 m. Oro šalinimo vamzdis taip pat būtinas, kai ištraukiamasis ir baldinis gartraukis veikia sugeriamuoju režimu.
- Sugeriamuoju režimu veikiančiam gartraukiui būtina įrengti filtrą su aktyvinta anglimi. Tokiu atveju nereikia įrengti laukan orą šalinančio vamzdžio, bet rekomenduojama sumontuoti oro srauto kreiptuvą (tik kamino gartraukiams).
- Gartraukyje įrengtas nepriklausomas apšvietimas ir ištraukiamasis ventiliatorius su keliais sukimo greičiais.
- Atsižvelgiant į įrenginio versiją, gartraukis tvirtinamas visam laikui prie vertiklios sienos virš dujinės ar elektrinės viryklės (kamino ir universalieji gartraukiai); prie lubų virš dujinės ar elektrinės viryklės (erdviniai gartraukiai); prie vertiklios sienos balduose virš dujinės ar elektrinės viryklės (teleskopiniai ir įmontuojamieji gartraukiai). Prieš montuojant įsitikinti, ar sienos / lubų konstrukcija yra tinkama gartraukiui išlaikyti. Kai

- kurių modelių gartraukiai yra labai sunkūs.
- Įrenginio montavimo virš elektrinės viryklės aukštis nurodytas gaminio kortelėje (įrenginio techninėje specifikacijoje). Jeigu dujinės įrangos diegimo instrukcijoje nurodytas didesnis atstumas, būtina į tai atsižvelgti (1 pieš.).
  - Po virtuviniu gartraukiu negalima palikti atviros liepsnos, nukeliant indus nuo degiklio būtina palikti mažiausią liepsną. Visada būtina tikrinti, ar liepsna nesklinda už indo, nes be reikalo eikvojama energija ir pavojingai įkaista pats indas.
  - Su riebalais ruošiamus patiekalus būtina nuolat prižiūrėti, nes perkaitę riebalai gali lengvai užsidegti.
  - Kiekvieną kartą prieš valant, keičiant filtrą ar taisant būtina ištraukti prietaiso kištuką iš elektros lizdo.
  - Gartraukio riebalų filtrą būtina valyti bent kas 1 mėnesį, nes prisigėręs riebalų yra degus.
  - Jeigu patalpoje, be gartraukio, naudojami ir kiti neelektriniai prietaisai (pvz., skystojo kuro krosnys, momentiniai šildytuvai, boileriai), būtina pasirūpinti pakankamu vėdinimu (oro tiekimu). Saugus eksploatavimas yra galimas, kai vienu metu veikia gartraukis ir kurą deginantys prietaisai, kuriems būtinas oras patalpoje, jeigu šių prietaisų stovėjimo vietoje neigiamas slėgis neviršija 0,004 milibaro (šis reikalavimas netaikomas, jeigu virtuvinis gartraukis naudojamas kaip kvapų sugėriklis).
  - Gartraukis neturėtų būti naudojamas kaip vieta atsiremti virtuvėje esantiems asmenims.
  - Būtina valyti gartraukio išorę ir vidų (BENT KARTĄ PER MĖNESĮ, laikantis šioje instrukcijoje pateikiamų priežiūros nurodymų). Jeigu nesilaikoma gartraukio valymo ir filtrų keitimo taisyklių, gali kilti gaisro pavojus.

- Jeigu pažeidžiamas maitinimo laidas, būtina jį pakeisti specializuotoje taisykloje.
- Būtina užtikrinti galimybę išjungti įrenginį iš elektros tinklo ištraukiant kištuką ar išjungiant dvipolį jungiklį.
- Prietaisas nėra skirtas naudoti asmenims, kurių fiziniai, jutiminiai ar protiniai gebėjimai yra riboti (taip pat ir vaikams), ar neturintiems patirties arba neišmanantiems prietaiso, nebent naudojama speciali prižiūrint asmeniui, atsakingam už jų saugumą, ir laikantis prietaiso naudojimo instrukcijos.
- Būtina ypač atkreipti dėmesį, kad įrenginiu nesinaudotų vaikai, palikti be priežiūros.
- Patikrinti, ar vardinėje lentelėje nurodyta įtampa atitinka vietos elektros tinklo parametrus.
- Prieš montuojant išvynioti ir išlyginti tinklo laidą.
- Nuimamas pakavimo medžiagas (polietileno maišelius, putplasčio gabaliukus ir pan.) laikyti atokiau nuo vaikų.
- Prieš jungiant gartraukį į tinklą būtina visada patikrinti, ar maitinimo laidas tinkamai prijungtas ir NEPRISPAUSTAS montuojamo gartraukio. Nebaigus montuoti, nejungti įrenginio į elektros tinklą.
- Draudžiama naudoti gartraukį, jeigu nesudėti aliumininį riebalų filtrai.
- Griežtai draudžiama po gartraukiu ruošti maistą naudojant atvirą liepsną (apipilant spiritu ir pagėgant).
- Išmetamųjų dujų šalinimo privalomųjų techninių ir saugos priemonių taikymo atveju būtina griežtai laikytis įgaliotų vietos valdymo institucijų išduotų reikalavimų.
- Nepriveržti varžtai ir tvirtinimo elementai, kaip reikalaujama šioje instrukcijoje, gali kelti pavojų sveikatai ir gyvybei.
- Kabamieji gartraukiai veikia tik kvapų sugeriamuoju režimu.

# IŠPAKAVIMAS



Prietaisas yra apsaugotas nuo pažeidimų pervežant. Išpakavęs prietaisą, pakuotės elementus prašome pašalinti taip, kad nekenktų aplinkai. Visos pakavimo medžiagos yra nekenksmingos aplinkai, 100 % tinkamos pakartotinai perdirbti ir yra paženklintos reikiamu simboliu.

Dėmesio! Nuimamas pakavimo medžiagas (polietileno maišelius, putplasčio gabaliukus ir pan.) laikyti atokiau nuo vaikų.

## PANAUDOTŲ PRIETAISŲ ŠALINIMAS



Šis prietaisas ženklina perbraukto atliekų konteinerio ženklą pagal Europos direktyvą 2012/19/EB ir Lenkijos panaudotų elektrinių ir elektroninių prietaisų įstatymą. Toks ženklas rodo, kad pasibaigus prietaiso naudojimo laikotarpiui, prietaiso negalima išmesti su kitomis buities atliekomis.

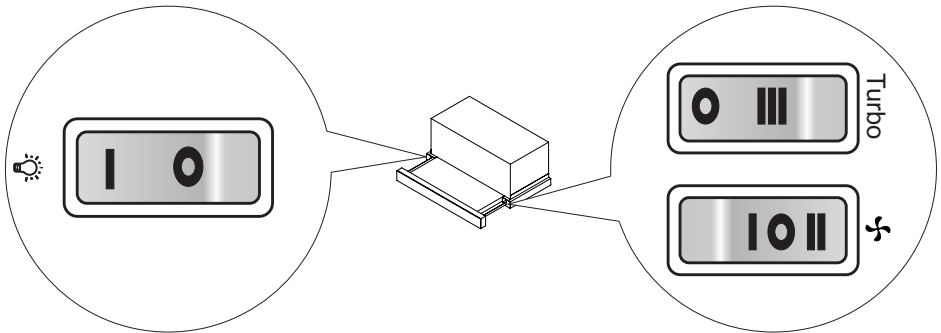
Vartotojas privalo tokį prietaisą atiduoti panaudotų elektrinių ir elektroninių prietaisų surinkėjams. Surinkėjai, taip pat vietos surinkimo taškai, parduotuvės ir įmonės sudaro tinklą, kur galima atiduoti tokią įrangą.

Tinkamai elgiantis su panaudota elektrine ir elektronine įranga padedama išvengti kenksmingų padarinių žmonių sveikatai ir aplinkai dėl įrangoje esančių pavojingų medžiagų, netinkamo įrangos laikymo ir perdirbimo.

# NAUDOJIMAS

## Gartraukio valdymas

Gartraukio valdymo skydas parodytas 4 piešinyje, priminti pateikiamas ir toliau:




Valdymo skyde yra mygtukų (lopšys). Mygtukai matomi ištraukus teleskopinį priedą.

Teleskopiniame gartraukyje įrengtas kraštinis jungiklis. Kiekvieną kartą, kai ištraukiamas teleskopinis priedas, gartraukis pradeda veikti anksčiau nustatyta pavarą.

Galimos nustatyti pavaros (kai priekis ištrauktas):

- I- Žemiausia pavarą, Ši pavarą naudojama, kai garų yra nedaug.
- II- Vidutinė pavarą. Ši pavarą naudojama, kai garų yra vidutiniškai, pvz., vienu metu gaminant kelis patiekalus.
- III- Aukščiausia pavarą. Ši pavarą naudojama, kai garų yra daugiausia, pvz., kepant.
- Gartraukis išjungtas (ištraukus skydą, nepaleidžiamas gartraukio variklis).

Mygtukas  naudojamas apšvietimui įjungti arba išjungti. Gartraukio apšvietimas veikia nepriklausomai nuo gartraukio variklio. Kraštinis jutiklis taip pat išjungia šviesą, kai įstumiamas priekinis skydas.



## **Kita svarbi informacija apie gartraukio naudojimą**

Veikimas sugeriamuoju režimu: Šiuo režimu filtruotas atgal gražinamas į patalpą per tam pritaikytas angas. Esant tokiems nustatymams, būtina sumontuoti anglinį filtrą ir rekomenduojama sumontuoti oro pūtimo kreiptuvą (prieinamumas atsižvelgiant į modelį, dažniausia kamino tipo gartraukiams).

Veikimas ištraukiamuoju režimu: Gartraukiui veikiant ištraukiamuoju režimu oras šalinamas laukan specialiu vamzdžiu. Šios parinkties atveju būtina išimti anglinį filtrą. Gartraukis turi būti prijungtas prie oro šalinimo laukan angos kietu ar lanksčiu vamzdžiu, kurio skersmuo 150 mm arba 120 mm, ir atitinkamais vamzdžio gnybtais, kurių galima įsigyti tvirtinimo detalių parduotuvėse. Prijungimo darbus turėtų atlikti kvalifikuotas darbuotojas.

Ventiliatoriaus greitis: Mažiausias ir vidutinis greičiai naudojami įprastinėmis sąlygomis ir esant nedidelei garų koncentracijai. Didžiausias greitis naudojamas tik esant didelei garų koncentracijai, pvz., kepant ar troškinant.

Dėmesio (taikoma tik universaliems gartraukiams): Dėl universalių gartraukių konstrukcijos gartraukio veikimo režimas keičiamas rankiniu būdu. Veikimo režimo keitimo būdas pateikiamas 8 piešinyje.

Dėmesio (taikoma tik baldų tipo ir teleskopiniams gartraukiams): Sugeriamuoju režimu veikiantiems baldų tipo ir teleskopiniams gartraukiams būtina įrengti oro šalinimo vamzdį. Antrą vamzdžio galą nukreipti į patalpą; šiuo vamzdžiu pučiamas filtruotas oras.

Dėmesio: Kabinamieji gartraukiai veikia tik sugeriamuoju režimu.

# VALYMAS IR PRIEŽIŪRA

## Priežiūra

Reguliari prietaiso priežiūra ir valymas užtikrina gerą ir netrikdomą gartraukio darbą bei pailgina jo naudojimo trukmę. Būtina ypač atkreipti dėmesį, kad riebalų filtras ir filtras su aktyvinta anglimi būtų valomi ir keičiami pagal gamintojo nurodymus.

- Nenaudoti sudrėkintų skudurėlių ar kempinių arba vandens srovės.
- Nenaudoti tirpiklių ar alkoholio, nes gali lakuotą paviršių padaryti matinį.
- Nenaudoti ėsdinančių medžiagų, ypač nerūdijančio plieno paviršiams valyti.
- Nenaudoti kietų, šiurkščių skudurėlių.
- Rekomenduojama naudoti drėgną skudurėlį ir neutralius valiklius.

Dėmesio: Kelis kartus išplovus indaplovėje gali pakisti aliuminio filtro spalva. Pakitusi spalva nerodo trūkumų ir būtinybės keisti filtrą.

## Riebalų filtras

Kai gartraukis naudojamas įprastiniu režimu, aliumininį riebalų filtrą reikėtų valyti kas mėnesį indaplovėje arba rankomis švelniu plovikliu arba skystuoju muilu.

Kaip išmontuoti aliumininį riebalų filtrą parodyta 5 piešinyje.

Kai kuriuose modeliuose naudojamas akrilinis filtras. Jį būtina keisti bent kartą per 2 mėnesius arba dažniau, jeigu dažnai naudojamas.

## Anglinis filtras

Anglinis filtras naudojamas tik tada, kai gartraukis neprijungtas prie vėdinimo vamzdžio. Filtras su aktyvinta anglimi sugeria kvapus iki visiškai prisotina. Filtras yra netinkamas plauti ir regeneruoti, todėl turėtų būti keičiamas kartą per 2 mėnesius arba dažniau, jeigu ypač intensyviai naudojamas.

Kaip išmontuoti anglinį filtrą parodyta 6 piešinyje.

## Apšvietimas

Naudoti lemputes / halogenus / diodų modulius, kurių parametrai yra tokie patys, kaip ir gamykloje sumontuotų. Kaip išmontuoti apšvietimą parodyta 7 piešinyje. Jeigu instrukcijoje nėra piešinio, apšvietimo modulį gali pakeisti tik įgaliotasis servisas.

# GARANTIJA, PRIEŽIŪRA PO PARDAVIMO

## Garantija

Garantinės paslaugos pagal garantijos lapą Gamintojas neatsako už jokią žalą, atsiradusią dėl gaminio netinkamo naudojimo.




**Įrangos gamintojas pataria visus remonto ir reguliavimo darbus atlikti gamintojo servise arba įgaliotajame servise. Remonto darbus turėtų atlikti tik tinkamą kvalifikaciją turintis asmuo.**


### Gamintojo deklaracija

Gamintojas deklaruoja, kad šis gaminys atitinka pagrindinius toliau išvardytų Europos direktyvų reikalavimus:

- Žemosios įtampos direktyvos 2014/35/EB
- elektromagnetinio suderinamumo direktyvos 2014/30/EB
- ekologinio projektavimo direktyvos 2009/125/EB
- direktyvos RoHS 2011/65/EB

todėl gaminys ženklinamas  ženklu ir jam išduota atitikties deklaracija, pateikiama rinkos priežiūros įstaigoms.

# Godājamais pircēj,

No šodienas ikdienas pienākumu kļūs vieglāki nekā jebkad agrāk. Šī ierīce  **Hansa** Haushaltsgeräte sevī apvieno izmantošanas vieglumu un lielisku efektivitāti. Pēc iepazīšanās ar instrukciju, ierīces izmantošana vairs nesagādās problēmas.

Pirms iepakojšanas, rūpnīcā tikusi rūpīgi pārbaudīta ierīces drošība un funkcionalitāte darba vietā.

Lūdzu, pirms ierīces ieslēgšanas, rūpīgi izlasiet lietošanas instrukciju. Drošības instrukcijas norādījumu ievērošana pasargās Jūs no nevēlamām ierīces lietošanas sekām. Lietošanas instrukcija ir jāsauglabā un jāuzglabā tā, lai tā vienmēr būtu pa rokai.

**Rūpīgi ievērojiet drošības instrukcijas norādījumus,  
lai izvairītos no negadījumiem.**

Ar cieņu,

 **Hansa**  
Haushaltsgeräte

# DROŠĪBAS NORĀDĪJUMI

- Tvaika nosūcēju izmantojiet tikai pēc lietošanas instrukcijas izlasīšanas
- Iekārta ir paredzēta izmantošanai mājsaimniecībā.
- Ražotājs patur tiesības veikt izmaiņas, kas neietekmē iekārtas darbību.
- Ražotājs nenes atbildību par bojājumiem, kas ir radušies nepareizas ierīces lietošanas rezultātā, neievērojot šīs instrukcijas norādījumus.
- Tvaika nosūcējs ir paredzēts virtuves tvaiku nosūkšanai. Tvaika nosūcējs nav paredzēts izmantošanai citiem nolūkiem.
- Tvaika nosūcējs darbojas uzsūkšanas režīmā un to ir jāpieslēdz atbilstošam ventilācijas kanālam (nedrīkst savienot ar ekspluatācijā esošajiem skursteņa kanāliem, dūmvadiem vai izplūdeš gāzes kanāliem). Tvaika nosūcējam nepieciešams gaisa izvades cauruļvads. Vada garums (visbiežāk  $\varnothing$  120 mm vai 150 mm caurule) nedrīkst būt lielāks par 4-5 m. Gaisa novadīšanas vads ir nepieciešams arī teleskopiskajiem un iebūvējamiem tvaika nosūcējiem absorbēšanas režīmā.
- Tvaika nosūcējam, kas darbojas uzsūkšanas režīmā, nepieciešams aktīvās ogles filtrs. Tādā gadījumā nav nepieciešams uzstādīt gaisa izvades cauruļvadu, bet ieteicama gaisa izvades stūres montāža (tikai skursteņa tvaika nosūcēji).
- Tvaika nosūcējs ir aprīkots ar neatkarīgu apgaismojumu un izplūdes ventilatoru ar iespēju iestātīt vienu no vairākiem apgrieziena ātrumiem.
- Atkarībā no iekārtas versijas, tvaika nosūcējs ir paredzēts montāžai pie vertikālas sienas virs gāzes vai elektriskās plīts (skursteņa un universālie nosūcēji); pie griestiem virs gāzes vai elektriskās plīts (virtuves salas tvaika nosūcēji); pie vertikālas sienas iebūvējamās virtuves mēbelēs virs

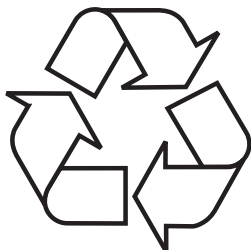
gāzes vai elektriskās plīts (teleskopiskie un iebūvējamie tvaiku nosūcēji). Pirms montāžas ieteicams pārlicināties vai sienas/griestu konstrukcija ir piemērota tvaika nosūcēja noturēšanai. Daži no tvaika nosūcēja modeļiem ir ļoti smagi.

- Ierīces montāžas augstums virs elektriskās plīts ir norādīts produkta kartē (ierīces tehniskā specifikācija). Ja gāzes ierīču instalēšanas instrukcijā ir norādīts lielāks attālums, tas ir jāņem vērā (1 zīm.).
- Zem tvaika nosūcēja nedrīkst atstāt atklātu liesmu. Trauka noņemšanas laikā no degļa, iestatiet minimālo liesmu. Vienmēr pārbaudiet vai liesma neapņēma trauka malas, jo tas var izraisīt nevēlamu enerģijas zudumu un nedrošu siltuma koncentrāciju.
- Taukos pagatavotos ēdienus ieteicams pastāvīgi uzraudzīt, jo pārkarsuši tauki var strauji aizdegties.
- Pirms katras filtra tīrīšanas, nomainīšanas vai ļaibošanas, ieteicams atvienot ierīces kontaktdakšu no strāvas padeves kontaktligzdas.
- Ierīces prettauku filtrs ir jātīra vismaz reizi mēnesī, jo uzsūkušies tauki var viegli uzliesmot.
- Ja neskaitot tvaiku nosūcēju, telpā tiek izmantotas neelektriskās ierīces (piemēram, šķidrā kurināmā plītis, plūsmas sildītāji, siltuma vannas), jāparūpējas par pietiekamu ventilāciju (gaisa pieplūdi). Droša ekspluatācija iespējama, ja vienlaicīgi ar tvaika nosūcēja un sadedzināšanas iekārtu darbu, kas atkarīgas no gaisa līmeņa telpā, šo iekārtu novietošanas vietā valdītu forvakuums ne lielāks kā 0,004 milibāri (šis punkts nav saistošs, ja tvaiku nosūcējs tiek izmantots kā smaržu uzsūcējs).
- Tvaika nosūcēju nevajadzētu izmantot kā atbalsta punktu cilvēkiem, kas atrodas virtuvē.
- Tvaika nosūcēju nepieciešams regulāri tīrīt gan no iekšpuses, gan ārpuses (VISMĀZ REIZI MĒNESI, ievērojot lietošanas instrukcijā norādītos apkopes norādījumus). Neievērojot iekārtas tīrīšanas un filtru nomaiņas norādījumus, var rasties

ugunsgrēka draudi.

- Ja strāvas vads ir ticis bojāts, to ir jānomaina specializētā remonta darbnīcā.
- Jānodrošina ierīces atvienošanas iespēja no strāvas padeves tīkla, izņemot spraudni vai bipolāro slēdzi.
- Sī iekārta nav paredzēta lietošanai maziem bērniem, personām ar fiziskiem vai garīgiem traucējumiem, personām ar taustes mājūtīgumu, personām ar pieredzes vai zināšanu trūkumu ierīces lietošanas jomā, ja vien tā nenotiek saskaņā ar lietošanas instrukciju vai drošības pasākumus pārzinošas personas uzraudzībā.
- Jāpievērš īpaša uzmanība tam, lai iekārtu neizmantotu bez uzraudzības atstāti bērni.
- Pārbaudiet, vai zemējuma tabulā norādītais strāvas spriegums atbilst vietējiem strāvas tīkla parametriem.
- Pirms montāžas attiniet un iztaisnojiet strāvas padeves vadu.
- Iepakojuma materiālus (polietilēna maisiņi, putplastas gabaliņi, utt.) izsaiņošanas laikā, lūdzu, uzglabāt atstātus no bērniem.
- Pirms tvaika nosūcēja pieslēgšanas strāvas tīklam nepieciešams pārbaudīt, vai barošanas vads ir pareizi instalēts un iekārta to NAV saspiedusi montāžas darbu laikā. Nepieslēdziet ierīci elektrības padeves tīklam pirms montāžas beigām.
- Aizliegts izmantot tvaika nosūcēju bez uzstādītiem alumīnija prettauku filtriem.
- Kategoriski aizliegts zem tvaika nosūcēja gatavot ēdienu, izmantojot atklātu liesmu (Flambē).
- Nepieciešamības gadījumā pielietot tehniskos un drošības līdzekļus attiecībā uz izplūdes gāzu novadīšanu, stingri jāievēro vietējo varas iestāžu izdotie noteikumi.
- Skrūvju un montāžas elementu nepieskrūvēšana kā tas norādīts lietošanas instrukcijā, var radīt draudus cilvēka veselībai.
- Piekarināmie tvaika nosūcēji darbojas vienīgi aromāta absorbēšanas režīmā.

# IZSAIŅOŠANA



Transportēšanas laikā ierīce ir nodrošināta pret bojājumiem. Pēc izsaiņošanas, lūdzam, atbrīvoties no iepakojuma materiāliem, nepiesārņojot apkārtējo vidi.

Visi iepakojuma laikā izmantotie materiāli ir apkārtējai videi nekaitīgi, 100% nododami pārstrādei un marķēti ar nepieciešamajiem simboliem.

Uzmanību! Iepakojuma materiālus (poliētilēna maišiņi, putuplasta gabaliņi, utt.) izsaiņošanas laikā, lūdzu, uzglabāt atstātus no bērniem.

## NOLIETOTO IERĪČU UTILIZĀCIJA



Ierīce ir marķēta ar Eiropas Savienības direktīvu 2012/19/EK un Polijas likumu par nolietotajām elektriskajām un elektroniskajām iekārtām - pārsvītrots atkritumu konteineru simbols. Šāds simbols uz produkta vai tā iepakojuma norāda, ka šo produktu nedrīkst izmest saimniecības atkritumos.

Lietotājs ir atbildīgs par iekārtu nodošanu attiecīgos elektrisko un elektronisko iekārtu savākšanas punktos pārstrādāšanai vai personai, kas ir atbildīga par šādu iekārtu savākšanu. Iekārtu savācēji, tāi skaitā vietējie savākšanas punkti, veikāli un pašvaldību vienības, veido atbilstošu sistēmu šādu iekārtu nodošanai.

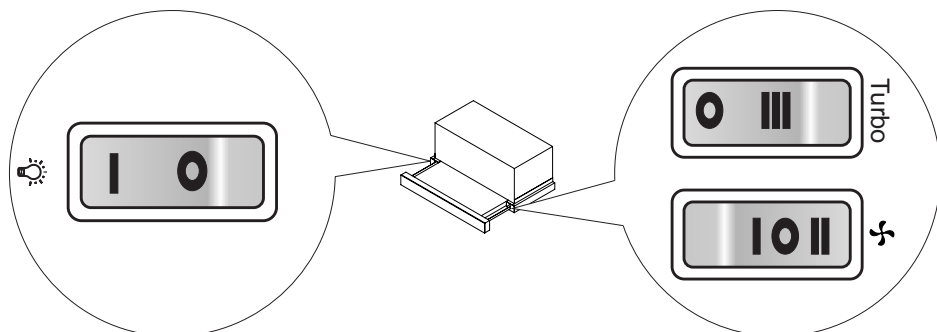
Nodrošinot pareizu atbrīvošanos no šī produkta, jūs palīdzēsiet izvairīties no potenciālām negatīvām sekām apkārtējai videi un cilvēka veselībai, kurās iespējams izraisīt, nepareizi izmetot atkritumos šo produktu.



# APKALPE

## Tvaika nosūcēja vadība

Tvaika nosūcēja vadības panelis ir parādīts 4. zīmējumā vai skat. zemāk:




Vadības panelis ir aprīkots ar taustiņiem (slēdžiem). Tie kļūst redzami pēc teleskopiskā priekšējā panela izbīdīšanas.

Teleskopiskais tvaika nosūcējs ir aprīkots ar galaslēdzi. Katru reizi, kad izvilksiet teleskopisko priekšējo paneli, tvaika nosūcējs ieslēgsies iepriekš iestatītajā darba ātrumā.

Iespējamie darba ātruma režīmi (ar iebīdītu teleskopisko priekšējo paneli):

- I- Mazs ātrums. Šis ātrums tiek izmantots, ja tvaika daudzums ir neliels.
- II- Vidējs ātrums. Šis ātrums tiek izmantots, ja tvaika daudzums ir vidējs, piemēram, gatavojot vairākus ēdienus vienlaicīgi.
- III- Liels ātrums. Šis ātrums tiek izmantots, ja tvaika daudzums ir liels, piemēram, cepšanas vai grilēšanas laikā.
- Izslēgts tvaika nosūcējs (priekšējā panela izbīdīšana neieslēdz tvaika nosūcēja motoru).

Ar  atzīmētais taustiņš paredzēts apgaismojuma ieslēgšanai vai izslēgšanai. Tvaika nosūcēja apgaismojums darbojas neatkarīgi no tvaika nosūcēja motora. Galaslēdzis izslēdz gaismas brīdī, kad priekšējais panelis tiek iebīdīts.

## **Cita svarīga informācija par tvaika nosūcēja lietošanu**

Darbojas kā absorbētājs: Šajā darba režīmā izfiltrētais gaiss atgriežas atpakaļ telpā caur šim procesam pielāgotām atverēm. Šim iestatījumam nepieciešams uzstādīt ogles filtru un ieteicams uzstādīt gaisa izplūdes vadību (pieejams atkarībā no modeļa, galvenokārt, skursteņa tipa tvaika nosūcējiem).

Darbojas kā nosūcējs: Nosūces darba režīma laikā gaiss tiek izvadīts ārpusē pa speciālu cauruļvadu. Šī iestatījuma laikā jāizņem ogļu filtrs. Tvaika nosūcējs ir savienots ar gaisa izvades atvēri, izmantojot nekustīgu vai elastīgu cauruli 150 mm vai 120 mm diametrā un atbilstošas cauruļu skavas, kas jāiegādājas instalācijas materiālu veikalos. Pieslēgšanas darbus ieteicams uzticēt kvalificētam instalāciju meistaram.

Ventilatora ātrums: Mazāko un vidējo ātrumu piemēro parastos darba apstākļos un neliela tvaiku daudzuma gadījumā, bet vislielāko ātrumu drīkst lietot tikai lielas virtuves tvaiku koncentrācijas gadījumā, piem., cepšanas vai grilēšanas laikā.

Uzmanību (attiecas tikai uz universālo tvaika nosūcēju modeli): Univeršālai tvaika nosūcēja konstrukcijai nepieciešama manuāla darba režīma maiņa. Šī režīma maiņa parādīta 8. attēlā.

Uzmanību (attiecas tikai uz iebūvējamiem un teleskopiskiem tvaika nosūcēju modeļiem): Iebūvējamo mēbeļu un teleskopiskajiem tvaika nosūcējiem, kas darbojas absorbēšanas režīmā, nepieciešama gaisa izvades caurules montāža. Otrs caurules gals, caur kuru tiks izvadīts izfiltrētais gaiss, ir jāvērs virzienā.

Uzmanību: Pie sienas stiprināmie tvaika nosūcēji darbojas tikai absorbēšanas režīmā.

# TĪRĪŠANA UN KOPŠANA

## Uzturēšana

Regulāra ierīces tīrīšana un uzturēšana nodrošina pareizu tvaika nosūcēja darbu un pagarina tā ekspluatācijas laiku. Jāpievērš īpaša uzmanība, lai prettauku filtrs un filtrs ar aktīvo ogli tiktu regulāri tīrīti un mainīti, atbilstoši ražotāja ieteikumiem.

- Neizmantojiet samitrinātu drāniņu vai sūklīti, nevis ūdens strūklu.
- Neizmantojiet šķīdinātājus vai alkoholu, jo tas var izraisīt lakoto virsmu matēšanu.
- Neizmantojiet abrazīvus līdzekļus, kas piemēroti nerūsējoša tērauda virsmām.
- Neizmantojiet cietu un raupju drāniņu.
- Ieteicams izmantot mitru drāniņu un tīrīšanas līdzekļus.

Uzmanību: Pēc vairākām mazgāšanas reizēm trauku mazgājamā mašīnā, alumīnija filtra krāsa var mainīties. Krāsas maiņa nenozīmē nepareizu filtra darbību un nav nepieciešams to nomainīt pret jaunu.

## Prettauku filtrs

Alumīnija prettauku filtru ieteicams tīrīt reizi mēnesī pie normāla nosūcēja darba režīma vai nu trauku mazgājamā mašīnā vai ar rokām, izmantojot maigus tīrīšanas līdzekļus vai šķidrās ziepes.

Alumīnija prettauku filtra demontāža ir parādīta 5. zīm.

Dažos modeļos ir izmantots akrila filtrs. Filtru ieteicams mainīt vismaz reizi 2 mēnešos vai biežāk intensīvas izmantošanas gadījumā.

## Ogles filtrs

Ogļu filtrs tiek izmantots tikai tādā gadījumā, ja tvaika nosūcējs nav pieslēgts ventilācijas caurulei. Filtrs ar aktīvo ogli absorbē smaržas līdz tas ir pilnībā uzsūcies. Filtrs nav paredzēts mazgāšanai vai reģenerācijai, to ir jānomaina vismaz reizi 2 mēnešos vai biežāk ļoti intensīvas izmantošanas gadījumā.

Ogļu filtra demontāža ir parādīta 6. zīmējumā.

## Apgaismojums

Jāizmanto tāda paša parametra spuldzītes / halogēni / diodes moduļi kā rūpnieciski iestatītajās versijās. Apgaismojuma nomaina ir parādīta 7. zīmējumā. Ja zīmējums instrukcijā neparādās, apgaismojuma moduļa nomainu drīkst veikt tikai autorizēts serviss.

# GARANTIJAS UN PĒCGARANTIJAS PAKALPOJUMI

## Garantija

Garantijas pakalpojumi saskaņā ar garantijas karti. Ražotājs nenes atbildību par bojājumiem, kas radušies nepareizas ierīces lietošanas rezultātā.




**Ierīces ražotājs rekomendē remontu un ar ierīci saistītas regulācijas veikt ražotāja vai ražotāja autorizētā servisā. Ierīces remontu drīkst veikt tikai kvalificēta persona.**


## Ražotāja deklarācija

Ražotājs apliecina, ka izstrādājums atbilst zemāk uzskaitītajām prasībām un Eiropas Savienības izvirzītajām direktīvām:

- **direktīva par zemsprieguma iekārtām 2014/35/EK**
- **elektromagnētiskās atbilstības direktīva 2014/30/EK**
- **ekodizaina prasības 2009/125/EK**
- **direktīva RoHS 2011/65/EK**

izstrādājums ir marķēts ar  zīmi un atbilstības deklarāciju, kas ir pieejama Eiropas tirgu uzraugošajiem orgāniem.

# Austatud Kliendid

Alates tänasest on igapäevased koristustööd kergemad kui varem. Seade  **Hansa**  
Haushaltsgeräte ühendab endas erakordse kasutamiskiiruse suure tõhususega. Pärast kasutusjuhendiga tutvumist ei ole kasutamine Teile probleemiks.

Vabrikust väljunud seadet kontrolliti enne pakkimist selle ohutuse ja funktsionaalsuse seisukohalt.

Palume kasutusjuhend enne seadme kasutamist tähelepanelikult läbi lugeda. Juhendis toodud näpunäidete järgimine aitab Teil vältida seadme ebaõiget kasutamist. Kasutusjuhend tuleb alles hoida ja säilitada kättesaadavas kohas, et seda vajadusel kasutada.

**Järgige täpselt kasutusjuhendi instruktsioone, et vältida õnnetusjuhtumeid.**

Lugupidamisega



# OHUTUSJUHISED

- Õhupuhastit tuleb kasutada alles pärast käesoleva juhendiga tutvumist
- Seade on ette nähtud kasutamiseks ainult kodus majapidamises.
- Tootja jätab endale võimaluse seadme toimimist mitte mõjutavate muudatuste tegemiseks.
- Tootja ei kannu vastutust toote poolt tekitatud võimalike kahjustuste või tulekahjude eest, kui selle põhjuseks oli käesolevas juhendis toodud reeglite eiramine.
- Õhupuhasti on ette nähtud keeduaurude eemaldamiseks. Ärge kasutage seda muul otstarbel.
- Väljatõmberežiimil töötav õhupuhasti tuleb ühendada vastava ventilatsioonikanaliga (mitte ühendada kasutusel olevate korsta-, suitsu- või heitgaaside lõõridega). Õhupuhasti nõuab õhku väljapoole juhtiva toru paigaldamist. Toru pikkus (sagedamini toru Ø 120 mm või 150 mm) ei tohiks ulatuda üle 4-5 m. Õhu väljavoolutoru on vajalik ka teleskoop- ja mööbliiga integreeritud õhupuhastite korral õhuringlusrežiimil töötamisel.
- Õhuringlusrežiimil töötav õhupuhasti nõuab aktiivse söega filtri paigaldamist. Sellisel juhul ei ole vajalik õhku väljapoole juhtiva toru paigaldamine, soovitatav on õhuvoo suunaja paigaldamine (üksnes lõõriga õhupuhastid).
- Õhupuhastil on sõltumatu valgustus ja väljatõmbeventilaator, mis võimaldab kahe töökiiruse valikut.
- Sõltuvalt seadme versioonist on õhupuhasti mõeldud püsivaks paigaldamiseks vertikaalsele seinale gaasi- või elektripliidi kohale (lõõriga ja univer-

saalsed õhupuhastid); laele gaasi- või elektripliidi kohale (rippuvad õhupuhastid); vertikaalsele seinale mööblisse integreerituna gaasi- või elektripliidi kohale (teleskoop- ja integreeritavad õhupuhastid). Enne paigaldamist tuleb kontrollida, kas sein / lae konstruktsioon on vastav õhupuhasti paigalduseks. Mõningad õhupuhastite mudelid on väga rasked.

- Seadme paigaldamise kõrgus elektriplaadi kohale on toodud toote kaardil (seadme tehnilises spetsifikatsioonis). Juhul kui gaasiseadmete kasutusjuhendites on toodud suurem kaugus, tuleb montaažil sellega arvestada (Joonis 1).
- Õhupuhasti alla ei tohiks jätta lahtist tuld, juhul kui võtate tulelt nõud, tuleb reguleerida tuli minimaalseks. Alati tuleb kontrollida, et leek ei väljuks nõude põhja alt, kuna see põhjustab soovimatut energiakulu ja ohtlikku soojuse kontsentratsiooni.
- Rasvainetel valmistatavaid toite tuleks pidevalt jälgida, kuna ülekuumenenud rasv võib kergesti süttida.
- Enne igakordset puhastamist, filtri vahetamist või remonditööde alustamist tuleb seadme pistik võrgupesast välja võtta.
- Õhupuhasti rasvafiltrit tuleb puhastada vähemasti 1 kord kuus, kuna rasvast läbi imbunud filter on kergesti süttiv.
- Juhul, kui samas ruumis kasutatakse peale õhupuhasti ka teisi seadmeid, mis ei kasuta elektaritoidet (näit. vedelkütusega ahjud, läbivooluga küttekehad, veesoojendid), tuleb hoolt kanda piisava ventilatsiooni eest (õhu juurdevoolu kindlustamine). Ohutu kasutamine on tagatud juhul, kui õhupuhasti ja ruumis olevast õhust sõltuvate põletavate seadmete kooskasutamisel on nende paigaldamiskohas kindlustatud alarõhk kõige

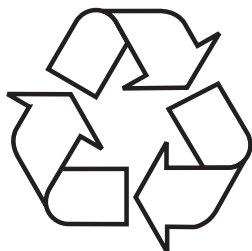
rohkem 0,004 millibaari (see punkt ei kehti, kui õhupuhastit kasutatakse õhuringlussüsteemis).

- Õhupuhastit ei tohiks kasutada sellele toetumiseks köögis viibivate isikute poolt.
- Õhupuhastit tuleb tihti puhastada nii väljast kui seest (VÄHEMASTI KORD KUUS, pidades kinni käesolevas juhendis toodud hooldusjuhistest). Õhupuhasti puhastamist või filtrite vahetamist puudutavate põhimõtete eiramine võib põhjustada tulekahju ohtu.
- Juhul kui toitejuhe kahjustub, tuleb see välja vahetada spetsiaalses remonditöokojas.
- Kindlustage seadme elektrivõrgust eemaldamise võimalus, pistiku eemaldamise teel võrgukontaktist või kahepooluselise lüliti väljalülitamisega.
- Käesolev seade ei ole ette nähtud kasutamiseks piiratud füüsiliste, tajuhäirete või psüühiliste võimetega isikute (sh ka laste) poolt või seadme kasutamise kogemusteta või tundmiseta isikute poolt, juhul kui see ei toimu järelvalve all või kooskõlas seadme kasutamisjuhendiga, mille on edastanud nende isikute ohutuse eest vastutavad isikud.
- Pöörakeerilist tähelepanu sellele, et seadet ei kasutaks järelvalveta lapsed.
- Veenduge, kas andmesildil toodud pinge vastab lokaalsetele toite parameetritele.
- Enne paigaldamist keerake toitejuhe lahti ja painutage sirgeks.
- Pakkimismaterjalid (polüetüleenkotid, vahtpolüstürooli tükid jms.) tuleb lahtipakkimise ajal hoida lastele kättesaamatus kohas.
- Enne õhupuhasti ühendamist toitevõrku tuleb alati kontrollida, kas toitekaabel on õigesti paigaldatud ega ole väändunud paigaldustööde käigus. Ärge ühendage seadet toitevõrku enne paigaldamise lõppu.



- Keelatud on õhupuhastite kasutamine paigaldamata alumiiniumist rasvafiltritega.
- Õhupuhasti all on rangelt keelatud toitude valmistamine avatud tule kasutamisega (flambeerimine).
- Tehniliste ja ohutusmeetmete rakendamisel, mis on vajalikud heitgaaside väljajuhtimisel, tuleb rangelt järgida kohalike omavalitsuste poolt kehtestatud eeskirju.
- Kruvide või kinnitavate elementide kinnitamata jätmine vastavalt käesolevale kasutusjuhendile võib tekitada ohtu tervisele ja elule.
- Ripuvad õhupuhastid töötavad ainult õhuringlusrežiimil.

# LAHTIPAKKIMINE



Seade on transpordi ajaks kaitstud vigastuste eest. Pärast seadme lahti-pakkimist palume pakendi elemendid utiliseerida keskkonda mitte ohustaval viisil.

Kõik pakkimisel kasutatud materjalid on keskkonnasõbralikud, sobivad 100% taaskasutamiseks ja on märke-  
gistatud vastava sümboliga.

Tähelepanu! Pakkimismaterjalid (polüetüleenkotid, vahtpolüstürooli tükid jms.) tuleb lahtipakkimise ajal hoida lastele kättesaamatus kohas.

# KASUTATUD SEADMETE UTILISEERIMINE



Seade on märgistatud vastavalt EL Direktiivi 2012/19/EU normile ja Poola Vabariigi Kasutatud elektri- ja elektroonikaseadmeid puudutava määrusega läbikriipsutatud prügikonteineri sümboliga. Selline tähistus informeerib, et seda seadet ei tohi pärast kasutamist panna olmejäätmete juurde.

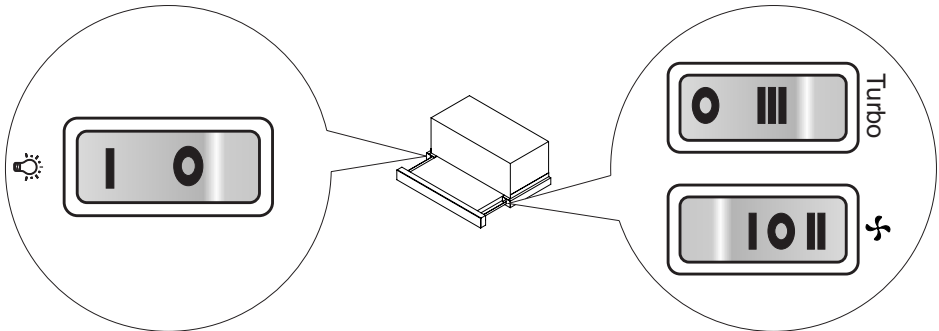
Kasutaja on kohustatud andma seade elektri- ja elektrooniliste seadmete kogumispunkti. Kohalikud elektri- ja elektroonikaseadmete kogumispunktid, kauplused jms. moodustavad toote vastavat utiliseerimist võimaldava süsteemi.

Elektri- ja elektroonikaseadmete õige utiliseerimine aitab vältida inimese tervisele ja looduslikule keskkonnale ohtlikke tagajärgi, mida põhjustavad ohtlike koostiselementide olemasolu ja seadmete ebaõige ladustamine ja töötlemine.

# KÄSITSEMINE

## Õhupuhasti juhtimine


Õhupuhasti juhtpaneel on toodud joonisel 4, vt ka alljärgnevalt:



Juhtpaneel on varustatud nuppudega (hoidikuga). Need on nähtavad pärast teleskooppaneeli eemaldamist. Teleskoopõhupuhasti on varustatud piirlülitiga. Igakordsel teleskooppaneeli eemaldamisel hakkab õhupuhasti tööle etteantud käigul.

Käigu seadistamise võimalus (eemaldatud esipaneeli puhul):

- I- Madalaim käik. Kasuta seda kiirust juhul, kui auru ei ole väga palju.
- II- Keskmine kiirus. Kasuta seda kiirust, kui auru on keskmiselt, nt kui keedad mitut toitu korraga.
- III- Kõrgeim käik. Kasuta seda kiirust, kui auru on vähe, nt praadimise või grillimise ajal.
- O- Õhupuhasti on välja lülitatud (esipaneeli eemaldamine ei põhjusta õhupuhasti mootori käivitamist).

Nuppu tähistusega  kasutatakse valgustuse sisse- või väljalülitamiseks. Õhupuhasti valgustus ei sõltu õhupuhasti mootori tööst. Piirlüliti lülitab valguse välja ka siis, kui eemaldate esipaneeli.

## **Muu oluline teave õhupuhasti kasutamise kohta**

**Õhuringlusrežiim:** Selles töövalikus filtreeritud õhk naaseb ruumi selleks kohandatud avade kaudu. Selle seadistusega tuleks paigaldada sõefilter ning soovitatav on paigaldada õhu väljalasketoru (saadavus sõltub mudelist, peamiselt korstnatega õhupuhastitel).

**Väljatõmbe režiim:** Väljatõmberežiimi aktiveerimisel juhitakse õhk ruumist välja spetsiaalse kanali abil. Selle töörežiimi seadistusel tuleb eemaldada sõefilter. Õhupuhasti on ühendatud õhku väljajuhtiva avaga jäiga või elastse toru abil, mille diameeter on 150 mm või 120 mm ja vajalike toruklambrite abil, mis on võimalik saada paigaldusmaterjalide kauplustest. Õhupuhasti ühendamist peaks teostama kvalifitseeritud paigaldaja.

**Ventilaatori kiirus:** Kõige madalamat ja keskmist kiirust kasutatakse normaalsetes tingimustes ja madala aurude kontsentratsiooni korral, suurimat kiirust tuleb kasutada aurude suure kontsentratsiooni korral, näit. praadimise või grillimise ajal.

**Tähelepanu (puudutab ainult universaalseid õhupuhasteid):** Universaalsete õhupuhastite konstruktsioon nõuab õhupuhasti töö käsitsi muutmist. Selle režiimi muutmise viis on illustreeritud joonisel 8.

**Tähelepanu (puudutab ainult mööblile paigaldatud ja teleskoopõhupuhasteid):** Mööblile paigaldatud ja teleskoopõhupuhastid, mis töötavad õhuringlussüsteemis, nõuavad õhku väljajuhtiva toru paigaldamist. Teine toru ots tuleb suunata ruumi, läbi mille juhitakse välja filtreeritud õhk.

**Tähelepanu:** Rippuvad õhupuhastid töötavad ainult õhuringlusrežiimil.

# PUHASTAMINE JA HOOLDUS

## Hooldus

Õhupuhasti regulaarne hooldamine ja puhastamine tagab selle korrapärase ja häireteta töötamise ja pikendab seadme eluiga. Pöörake tähelepanu sellele, et rasvafilter ja aktiisöefilter oleksid puhastatud ja vahetatud vastavalt tootja soovitudele.

- Ärge kasutage märgi lappe või švamme ega volavat vett.
- Ärge kasutage lahusteid ega alkoholi, kuna need võivad lakitud pealispinna tuhmiks muuta.
- Ärge kasutage soovitavaid ained, eriti roostevabast terasest pindade puhastamiseks.
- Ärge kasutage kõvasid, karedaid lappe
- Soovitav on kasutada niisket lappi ja neutraalseid puhastusvahendeid.

Tähelepanu: Pärast mõnda pesu nõudepesumasinas võib alumiiniumfiltrit värvus muutuda. Värvimuutus ei kujuta endast hälvet ega tähenda, et filter tuleb välja vahetada.

## Rasvafilter

Alumiiniumist rasvafiltrit tuleb puhastada iga kuu tagant õhupuhasti normaalse töö korral nõudepesumasinas või käsitsi nõrga pesuvahendiga või vedelseebiga.

Alumiiniumist rasvafiltri lahtivõtmine on toodud joonisel 5.

Mõningates mudelites on kasutatud akrüülfiltrit. Seda tuleb vahetada vähemalt kord 2 kuu kohta või tihedamini väga intensiivse kasutamise korral.

## Söefilter

Söefiltrit kasutatakse eranditult sellisel juhul, kui õhupuhasti ei ole ühendatud ventilatsioonikanaliga. Söefiltril on lõhnade imamise võime kuni filtri küllastumiseni. Söefiltrit ei saa pesta ega regenereerida, seega tuleb see välja vahetada vähemasti kord kahe kuu jooksul või tihedamini, kui kasutate õhupuhastit eriti intensiivselt.

Söefiltri lahtivõtmine on näidatud joonisel 6.

## Valgustus

Kasutada tuleb samade parameetritega hõõg- / halogeenpirne / diodmooduleid, kui tehases seadmele paigaldatud valgustuse parameetrid. Valgustuse vahetamine on näidatud joonisel 7. Juhul, kui juhendis ei ole joonist, võib valgustuse mooduli vahetamist teostada üksnes volitatud teenindus.

# GARANTII, MÜÜGIJÄRGNE HOOLDUS

## Garantii

Garantiiteenuseid osutame garantiilehe alusel Tootja ei vastuta toote ebaõigest kasutamisest põhjustatud vigastuste või rikete eest.



**Seadme tootja soovib, et kõiki remonte ja reguleerimistöid teostataks Tehase teenindus või tootja volitatatud teenindus. Remonte võib teha üksnes vastava kvalifikatsiooniga isik.**

### Tootja deklaratsioon

Tootja deklareerib, et käesolev toode on vastavuses järgmiste EL direktiivide normide põhioletusel:

- madalpingedirektiiviga 2014/35/EÜ
- elektromagnetilise ühilduvuse direktiiviga 2014/30/EÜ
- keskkonnasäästliku disaini direktiividega 2009/125/EÜ
- direktiiviga RoHS 2011/65/EÜ

ja omab seega **CE** märgistust ning tootele on välja antud vastavusdeklaratsioon, mis on turu suhtes järelevalvet teostavate organite käsutuses.

# Poštovani Klijenti,

Od danas svakodnevne obaveze će da budu jednostavnije nego ikad. Uređaj  je spoj jednostavne upotrebe i savršene efikasnosti. Posle čitanja instrukcije upotreba uređaja nije nikakav problem.

Oprema koja je izašla iz fabrike je pre pakovanja rigorozno proverena na kontrolnim tačkama sa obzirom na bezbednost i funkcionalnost.

Molimo Vas da pre pokretanja uređaja pažljivo pročitate instrukciju za upotrebu. Pridržavanje pravila iz instrukcije će da Vas zaštiti od nepravilne eksploatacije. Instrukciju sačuvati i čuvati na mestu koje je uvek pri ruci.

**Za izbegavanje nesretnih slučajeva pažljivo pročitati instrukciju za upotrebu.**

Sa poštovanjem

 **Hansa**  
Haushaltsgeräte

# BEZBEDNOSNE NAPOMENE

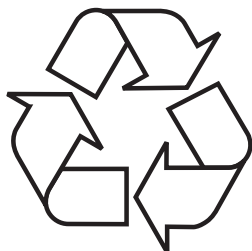
- Napu koristiti tek posle čitanja ovog uputstva
- Uređaj je namenjen isključivo za kućnu upotrebu.
- Proizvođač pridržava pravo na promene koje ne utiču na rad uređaja.
- Proizvođač ne snosi nikakvu odgovornost za potencijalne štete ili požare na uređaju zbog nepridržavanja preporuka iz ovog uputstva.
- Kuhinjska napa služi za uklanjanje kuhinjskih isparenja. Ne koristiti je u druge svrhe.
- Napu koja radi u usisnom režimu priključiti u odgovarajući kanal za ventilaciju (ne priključivati u dimnjake, kanale za dim ili sagorevanje koji su u upotrebi). Napa zahteva montažu voda za odvod vazduha. Dužina voda (najčešće cev Ø 120 mm ili 150 mm) ne bi trebala da bude veća od 4-5 m. Vod za odvod vazduha je potreban i kod teleskopskih i nameštajnih napa u režimu rada cirkulacionog vazduha.
- Napa koja radi u filter režimu zahteva instalaciju filtera sa aktivnim ugljenom. U tom slučaju nije neophodna montaža cevi za odvod vazduha napolje, preporučena je instalacija vodilice ispuštanja vazduha (samo kaminske nape).
- Napa poseduje nezavisno osvetljenje i usisni ventilator sa mogućnosti podešavanja nekoliko brzina okretaja.
- Zavisno od verzije napa je namenjena za trajnu montažu na okomitom zidu iznad gasne ili električne peći (kaminske ili univerzalne nape); na stropu iznad električne ili gasne peći (ostrvska); na okomitom zidu u nameštaju iznad gasne ili električne peći (teleskopske i ugradne nape). Pre montaže proveriti da li je konstrukcija zida/stropa dovoljno jaka da izdrži napu. Neki modeli kuhinjskih napa su jako teški.



- Visina montaže uređaja iznad električne ploče je navedena u specifikaciji uređaja (u tehničkim podacima). Ako je u uputstvima za instalaciju gasnih uređaja navedena veća udaljenost, uzeti je u obzir (Crt.1).
- Ispod kuhinjske nape ne ostavljati otkriveni plamen, tokom skidanja posuda sa plamenika podesiti minimalni plamen. Uvek proveriti da li plamen ne izlazi ispod posude, jer to uzrokuje nepoželjne gubitke energije i opasnu koncentraciju topline.
- Jela koja su pripremana na masnoći trebamo da stalno nadziremo, jer pregrejana masnoća može da se lako zapali.
- Pre svakog čišćenja, promene filtera ili popravaka izvući utikač iz mrežne utičnice.
- Filter za masnoću za kuhinjsku napu čistiti najmanje jednom mesečno, jer je zapaljiv kad je zasićen masnoćom.
- Ako su u prostoriji osim nape korišteni neki drugi neelektrični uređaji (peći na tečna goriva, radijatori, terme) pobrinuti se za dovoljnu ventilaciju (odvod vazduha). Bezbedna upotreba je moguća kad u slučaju istovremenog rada nape i uređaja za spaljivanje, čiji rad zavisi od vazduha u prostoriji, potpritisak na mestu postavljanja tih uređaja iznosi najviše 0,004 milibara (ova napomena ne obavezuje kad je napa korištena u filter verziji).
- Kuhinjska napa se ne sme da se upotrebljava kao površina za naslanjanje osoba koje se nalaze u kuhinji.
- Napa bi trebala da bude često čišćena kako izvana, tako i iznutra (**NAJMANJE JEDNOM MESECNO**), pridržavajmo se napomena o održavanju navedenih u ovom uputstvu). Nepridržavanje pravila čišćenja nape i promene filtera može da stvori opasnost od požara.
- Ako se kabel za napajanje ošteti, trebali bi da ga promenimo u ovlaštenoj servisnoj tački.

- Obezbediti mogućnost isključivanja uređaja iz električne mreže, izvlačenjem utikača ili isključivanjem dvopolnog prekidača.
- Ovaj uređaj nije namenjen za upotrebu od strane lica (uključujući i decu) sa smanjenim fizičkim, senzornim ili mentalnim sposobnostima ili onih koji nemaju dovoljno znanja i iskustva. U slučaju da dođe do upotrebe ovog uređaja od strane navedenih lica neophodan je nadzor i davanje instrukcija osobe koja je odgovorna za njihovu bezbednost.
- Obratite posebnu pažnju da uređaj ne koriste deca ostavljena bez nadzora.
- Proveriti da li napon naveden na nazivnoj pločici odgovara lokalnim parametrima napajanja.
- Pre montaže razviti i izravnati kabel za napajanje.
- Ambalažne materijale (polietilenske kesice, komadiće stiropora itd.) prilikom uklanjanja ambalaže držati daleko od dece.
- **PAZNJA:** pre uključivanja nape u električnu mrežu uvek proveriti da li je kabel za napajanje pravilno instaliran i da ga napa NIJE prignječila tokom montažnih radnji. Ne uključivati uređaj u električnu mrežu pre završetka montaže.
- Zabranjena je upotreba nape bez namontiranih aluminijumskih filtera za masnoću.
- Strogo se zabranjuje pripremanje hrane na otvorenom plamenu ispod kuhinjske nape. (flambiranje).
- Što se tiče tehničkih i bezbednosnih mera koje moraju da se provode sa obzirom na izbacivanje dimova, strogo se pridržavajte propisa nadležnih lokalnih vlasti.
- Neinstaliranje vijaka i pričvršnih elemenata u skladu sa ovim uputstvom može da bude opasno po zdravlje i život.
- Viseće nape deluju samo u režimu cirkulacionog vazduha.

# UKLANJANJE PAKOVANJA



Uređaj je za vreme transporta zaštićen od oštećenja. Posle vađenja uređaja iz pakovanja molimo Vas da elemente ambalaže uklonite na način koji ne ugrožava prirodnu sredinu.

Svi materijali korišteni za ambalažu nisu štetni za prirodnu okolinu, 100% je moguća reciklaža i označeni su

odgovarajućim simbolom.

Paznja! Ambalažne materijale (polietilenske kesice, komadiće štiropora itd.) prilikom uklanjanja ambalaže držati daleko od dece.

# ODLAGANJE ISTROŠENIH UREĐAJA



Ovaj uređaj je označen u skladu sa evropskom direktivom 2012/19/EU i poljskim zakonom o potrošenom električnom i elektronskom otpadu. Ujedno je označen simbolom precrtanog kontejnera za otpatke. Oznaka na proizvodu pokazuje da ovaj proizvod posle njegovog životnog veka ne može da bude biti tretiran kao ostali kućni otpad.

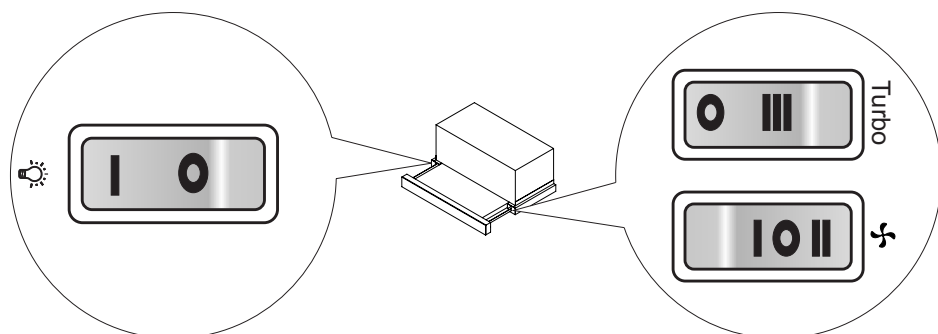
Korisnik ima obavezu da ovaj proizvod predaje na odgovarajuće sabirno mesto za reciklažu potrošene električne i elektronske opreme. Institucije za prikupljanje ovakvog otpada, uključujući lokalne sabirne tačke, kupovna mesta, opštinske jedinice, sačinjavaju odgovarajući sistem koji omogućava zbrinjavanje ove opreme.

Pravilno odlaganje potrošene električne i elektronske opreme sprečava potencijalne negativne posledice za okolinu i ljudsko zdravlje koje, inače mogu da budu uzrokovane neodgovarajućim odlaganjem ovog proizvoda.

# UPOTREBA

## Upravljanje napom


Komandna ploča je predstavljena na crtežu 4, koji opisan i niže:



Komandna ploča je opremljena sa dugmadima (kolevka). Dugmad vidimo kad izvučemo teleskopsku čeonu ploču. Teleskopska napa je opremljena graničnim prekidačem. Svaki put kad izvučemo teleskopsku čeonu ploču napa počinje da radi u prethodno podešenoj brzini.

Potencijalne brzine (kod izvučene čeonu ploče):

- I- Najniža brzina. Ovu brzinu koristiti kod manje količine isparavanja.
- II- Srednja brzina. Ovu brzinu koristiti kod srednje količine isparavanja, na primer tokom istovremenog kuvanja više jela.
- III- Najviša brzina. Ovu brzinu koristiti kod najveće količine isparavanja, na primer tokom prženja ili roštilja.
- Napa je isključena (izvlačenje ploče ne uzrokuje pokretanje motora nape).

Dugme označeno kao  služi za uključivanje ili isključivanje rasvete. Rasveta nape deluje nezavisno od motora nape. Granični prekidač takođe isključuje svetlo kad uvučemo čeonu ploču.

## **Ostale važne informacije o upotrebi nape**

Sistem kruženja vazduha: O ovom sistemu rada vazduh se posle filtriranja opet vraća u prostoriju kroz posebno prilagođene otvore. U ovom režimu montiramo ugljeni filter. Preporučena je i montaža vodilice ispusta vazduha (zavisno od modela, pojavljuje se kod kaminskih napa).

Sistem izbacivanja vazduha: Tokom usisnog režima rada nape vazduh je odvođen napolje specijalnim vodom. U ovoj konfiguraciji ukloniti potencijalni ugljeni filter. Napa je priključena na odvodni otvor za vazduh preko krutog ili elastičnog voda prečnika 150 mm ili 120 mm i odgovarajućih prirubnica vodova koje nabavljamo u trgovinama sa instalacionim materijalima. Priključivanje obavlja kvalifikovani instalater.

Brzina motora: Najnižu i srednju brzinu koristimo u normalnim uslovima i u slučaju male koncentracije isparenja, a najvišu koristimo samo kad je koncentracija kuhinjskih isparenja visoka, np. tokom prženja i grilanja.

Pažnja (tiče se samo univerzalnih napa): Konstrukcija univerzalnih napa zahteva ručnu promenu sistema rada nape. Način promene sistema rada je opisan na crtežu 8.

Pažnja (tiče se samo nameštajnih i teleskopskih napa): Nameštajne i teleskopske nape koje rade u režimu filtera mirisa zahtevaju montažu cevi za odvod vazduha. Drugi kraj cevi usmeriti prema prostoriji , kroz nju je dovoden filtrirani vazduh.

Pažnja: Viseće nape rade samo u režimu kruženja vazduha.

# ČIŠĆENJE I ODRŽAVANJE

## Održavanje

Regularno održavanje i čišćenje uređaja garantuje dobar i pouzdan rad nape i produžava njen životni vek. Posebnu pažnju obratiti da su filter za masnoću i filter sa aktivnim ugljenom čišćeni i menjani prema preporukama proizvođača.

- Ne koristiti mokre krpe, suđere niti mlaz vode.
- Ne koristiti razređivače ni alkohol, jer mogu da zatamne lakirane površine.
- Ne koristiti korozivne substancije, posebno prilikom čišćenja površina od nerđajućeg čelika.
- Ne koristiti tvrde, grube krpe
- Preporučena je upotreba vlažne krpe i neutralnih sredstava za pranje.

Pažnja: Posle nekoliko pranja u mašini za sudove boja aluminijumskog filtera može da se promeni. Promena boje ne znači da je neispravan ili da je neophodna njegova zamena.

## Filter za masnoću

Aluminijumski filter za masnoću čistiti najmanje jednom mesečno tokom normalnog rada nape, u mašini za sudove ili ručno pomoću delikatnog deterdženta ili tečnog sapuna.

Demontaža aluminijumskog filtera za masnoću pokazana je na crtežu 5. U nekim modelima je primenjen akrilni filter. Menjati ga najmanje jednom svaka 2 meseca ili češće u slučaju intenzivne upotrebe.

## Ugljeni filter

Ugljeni filter se koristi samo kad je napa priključena u ventilacioni vod. Filter sa aktivnim ugljenom upija mirise dok se ne zasiti. Nije prikladan za pranje ni za regeneraciju i menjamo ga najmanje jednom svaka 2 meseca ili češće u slučaju intenzivne upotrebe.

Demontaža ugljenog filtera je prikazana na crtežu 6.

## Osvetljenje

Koristiti sijalice / halogene / diodne module sa istim parametrima kao te koje su fabrički montirane u uređaju. Promena osvetljenja je prikazana na crtežu 7. Ako se crtež ne pojavljuje u uputstvu, promenu modula osvetljenja obavlja isključivo ovlašteni servis.

# GARANCIJA, USLUGE POSLE PRODAJE

## Garancija

Garantne usluge u skladu sa garantnim listom. Proizvođač ne snosi odgovornost za bilo kakvu štetu prouzrokovanu nepravilnom upotrebom proizvoda.



**Proizvođač opreme preporučuje da sve popravke obavlja Fabrički ili Autorizovani Servis proizvođača. Popravke bi trebala da obavlja isključivo osoba sa odgovarajućim kvalifikacijama.**

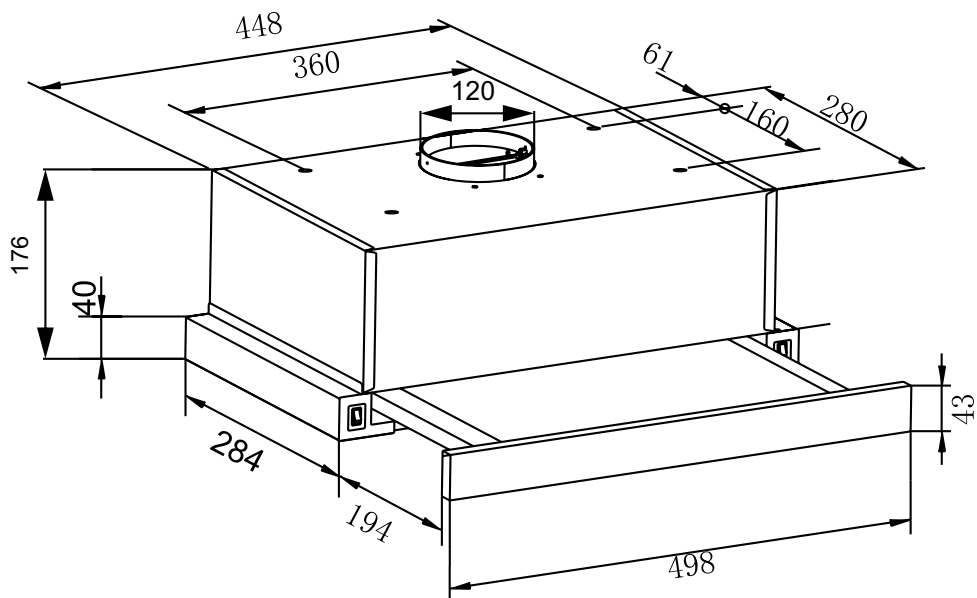
### Izjava proizvođača

Proizvođač nižim izjavljuje da ovaj proizvod ispunjava osnovne uslove niže navedenih evropskih direktiva:

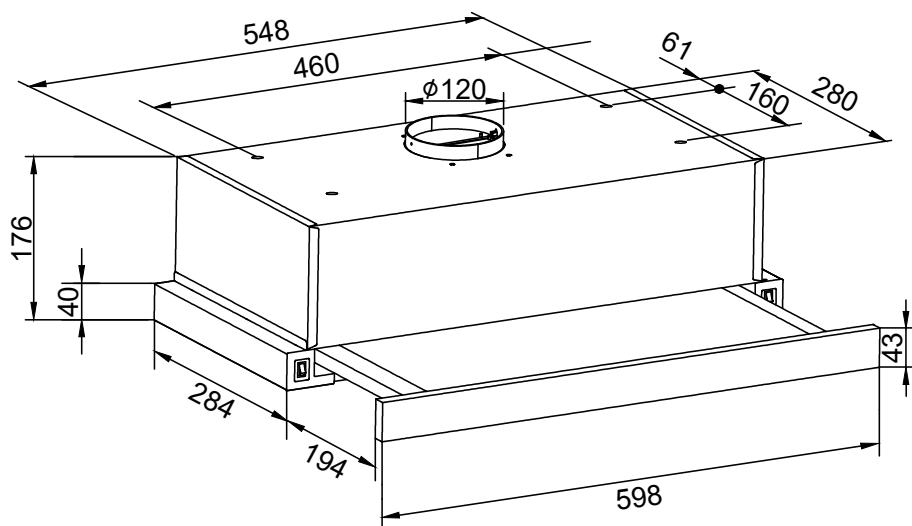
- **niskonaponske direktive 2014/35/UE**
- **direktive elektromagnetske kompatibilnosti 2014/30/UE**
- **direktive ekodizajna 2009/125/UE**
- **direktive RoHS 2011/65/UE**

i zato je proizvod označen **CE** i poseduje deklaraciju usklađenosti koja je predčavana organima za nadzor tržišta.

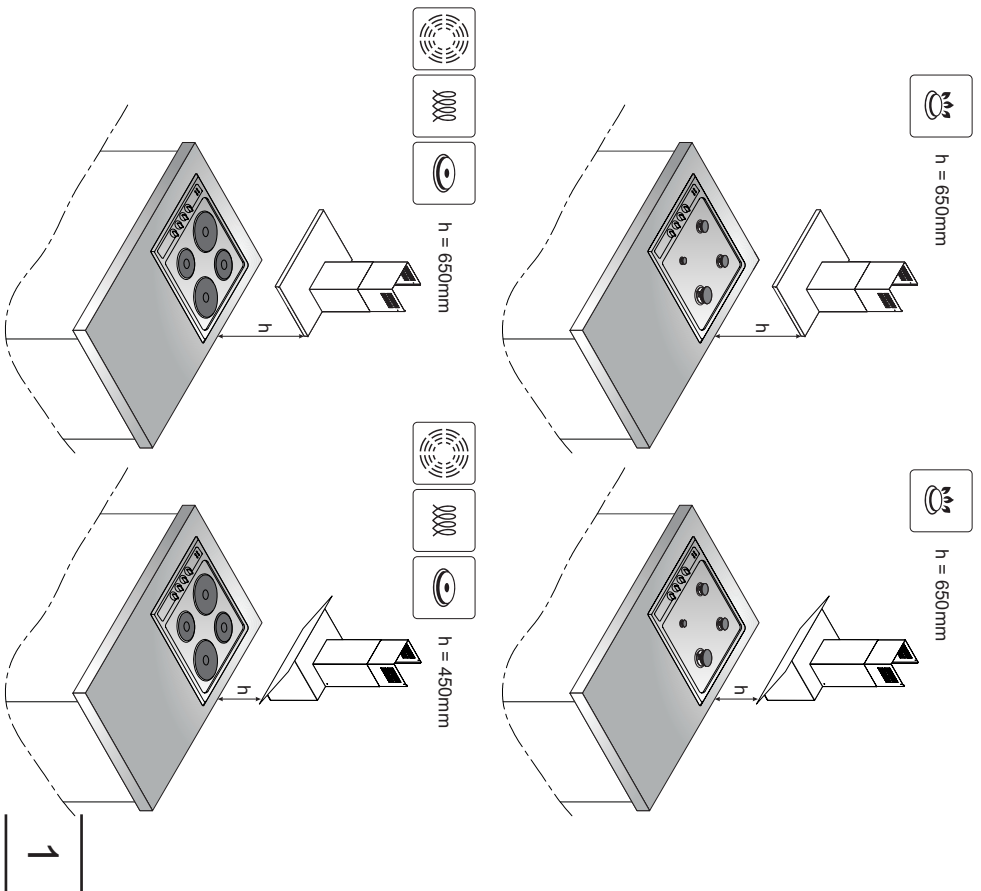
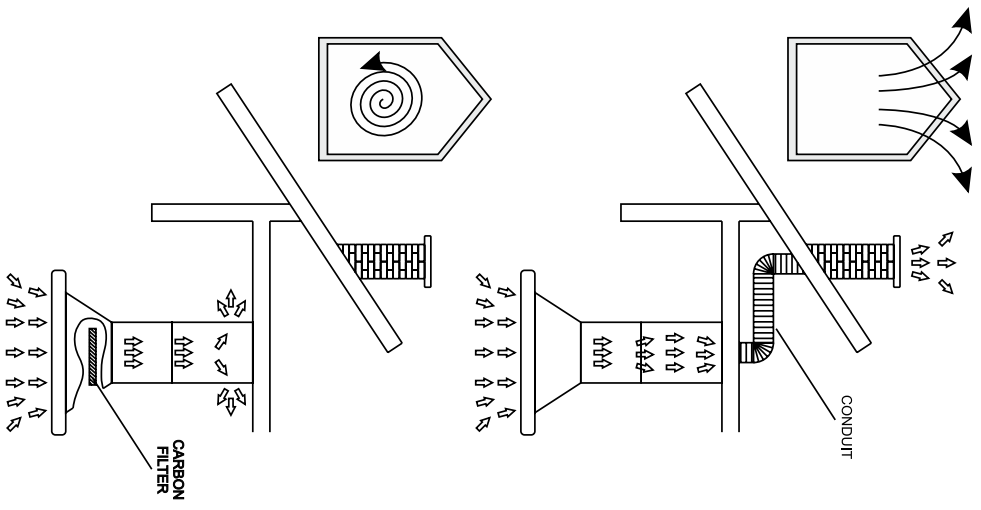
OTP5233IH / OTP5233WH



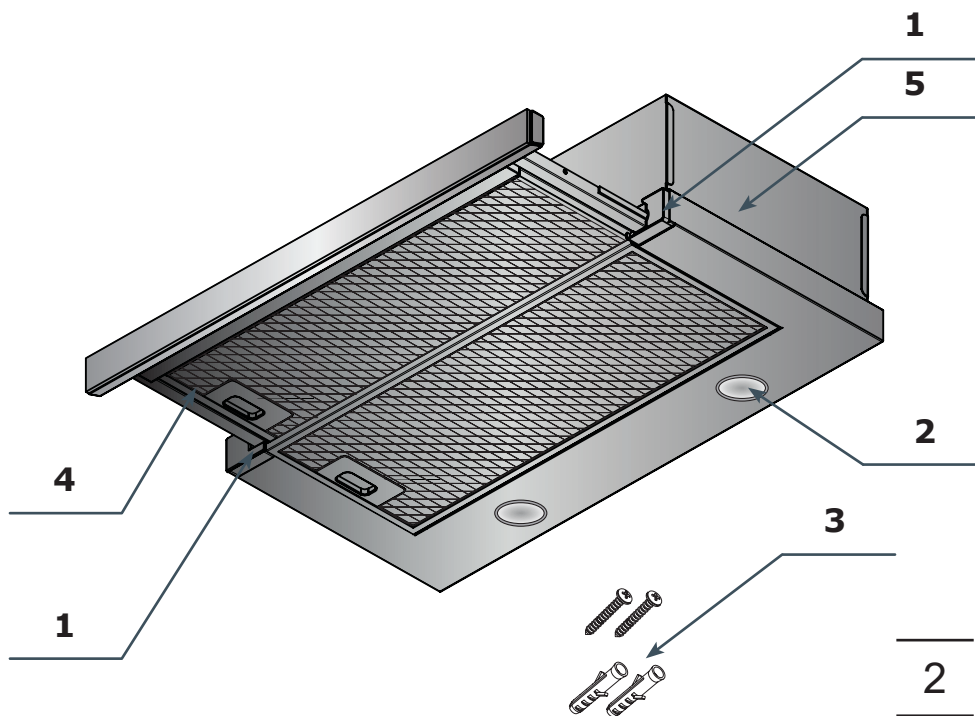
OTP6233IH / OTP6233WH / OTP6233BH





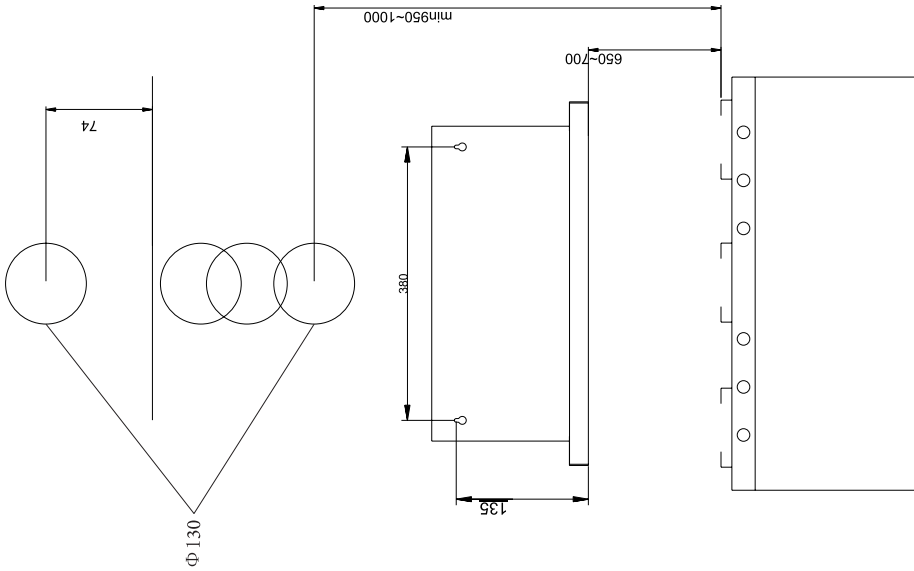


1

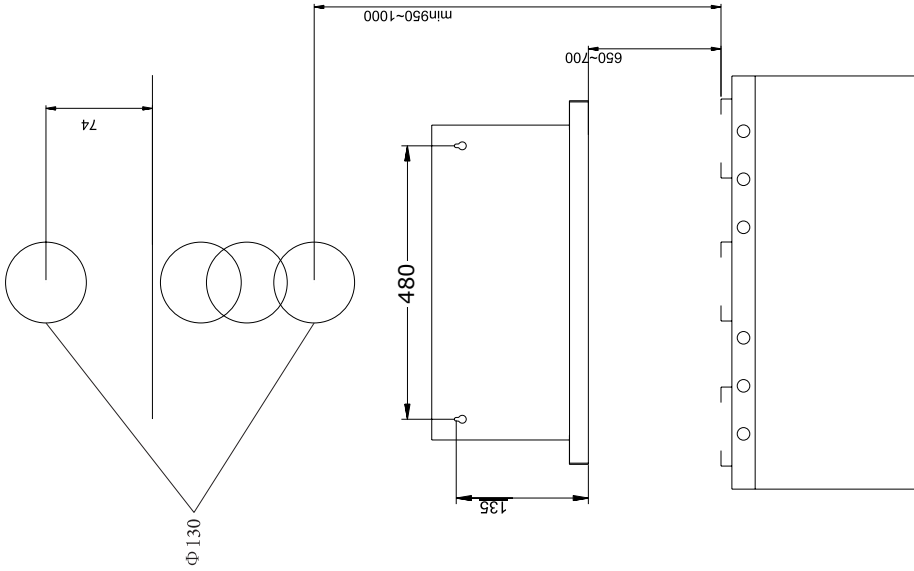


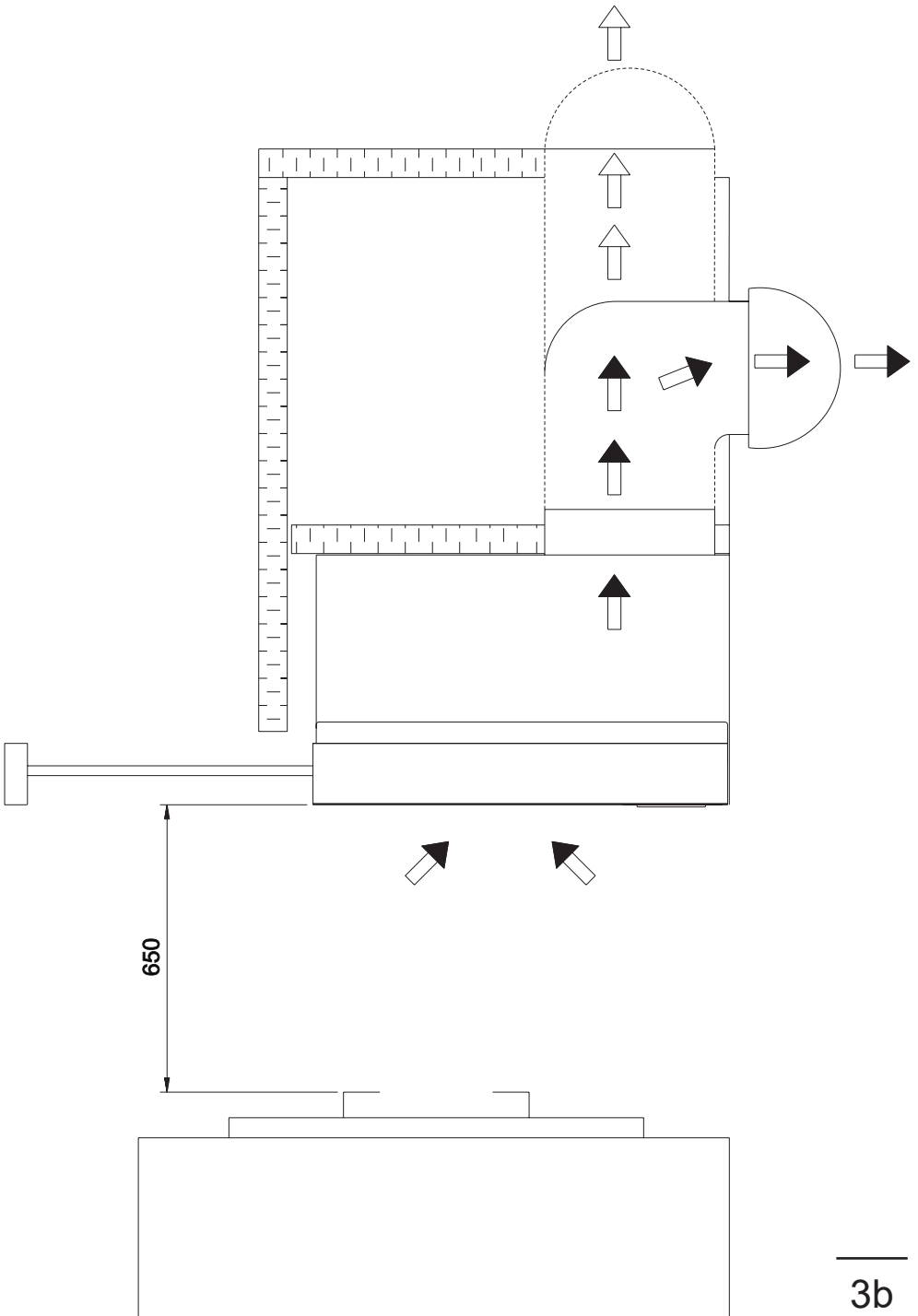
	EN	DE	RO	HU	BG	RU	KK	LT	LV	ET	SR
1	Control Panel	Bedienfeld	Panou de comandă	Irányító-panel	Панел за управление	Заглушка выпуска воздуха	Басқару панелі	Oro angos akle	Gaisa izvades noslēgs	Juhtimis-paneel	Poklopac odvoda vazduha
2	Lighting	Beleuchtung	Sistem de iluminare	Világítás	Осветление	Воздушная заслонка	Жа-рықтан-дыру	Oro kreiptuvas	Gaisvads	Valgustus	Usmerivač vazduha
3	Screws and wall plugs	Schrauben und Spreizdübel	Srubburi și dibluri	Csavarok és tiplik	Дюбели и винтове	Макс. мощность	Бурандалар және кергіш штифтер	Didžiausia galia	Maks. jauda	Kruvid ja tüüblid	Snaga max
4	Telescopic front	Teleskopauszug	Față telescopică	Teleszkópos front	Телескопичен фронт	Верхняя рама	Телескопийлық алдыңғы бөлік	Viršutinė dengiamoji juosta	Augšējais režģis	Teleskoopfront	Gornja lajsna
5	Hood body	Haubenkörper	Corpul hotel de bucatarie	Az elszívó teste	Корпус на абсорбатора	Воздухоотвод	Сорғыш корпусы	Šalinamasis vamzdis	Novadīšanas caurule	Õhupuhasti korpus	Odvodno crevo

OTP5233IH / OTP5233WH

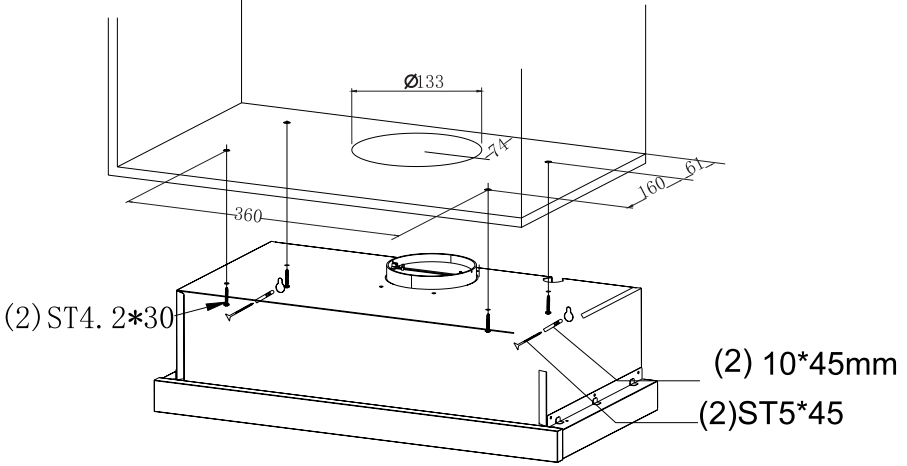


OTP6233IH / OTP6233WH / OTP6233BH

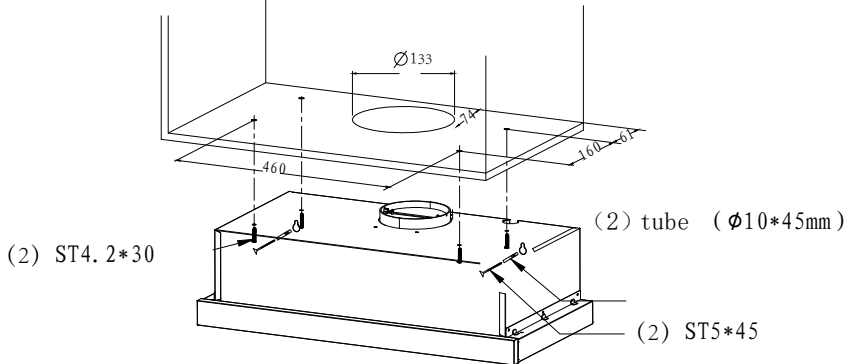


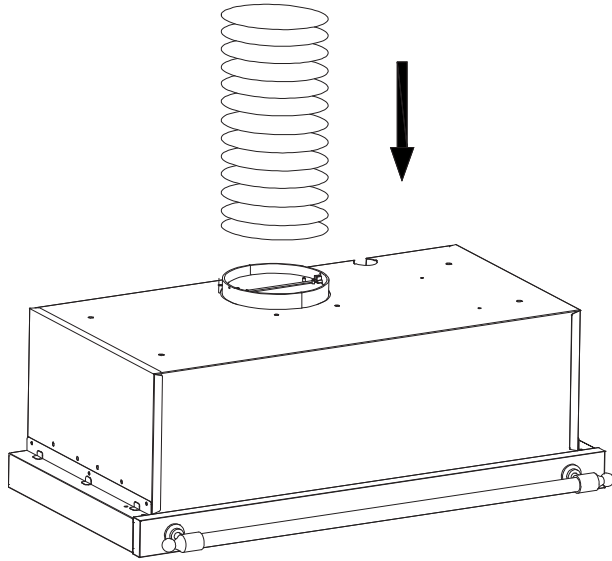


OTP5233IH / OTP5233WH

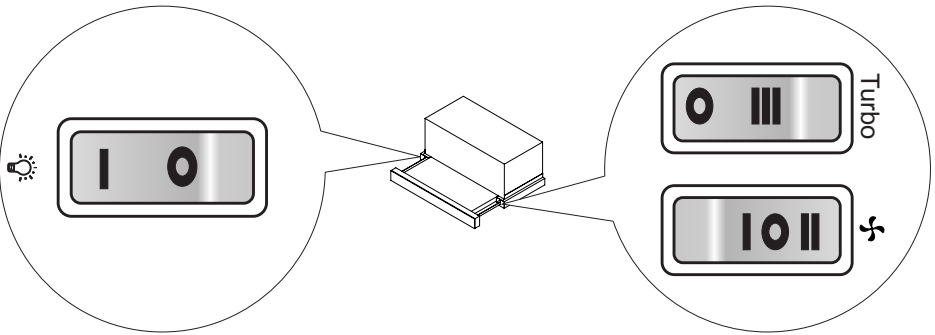


OTP6233IH / OTP6233WH / OTP6233BH

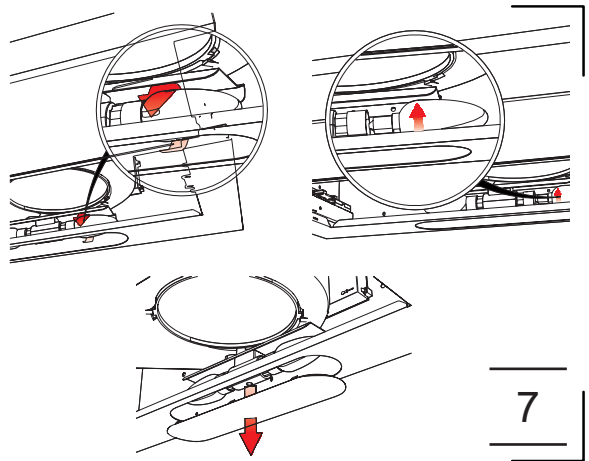
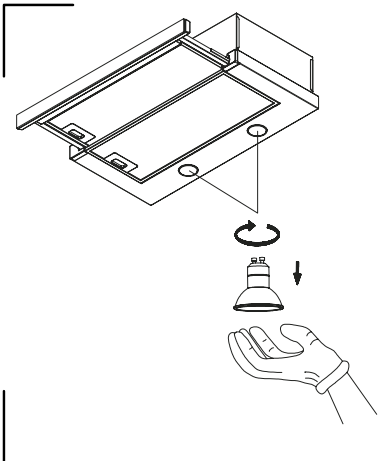
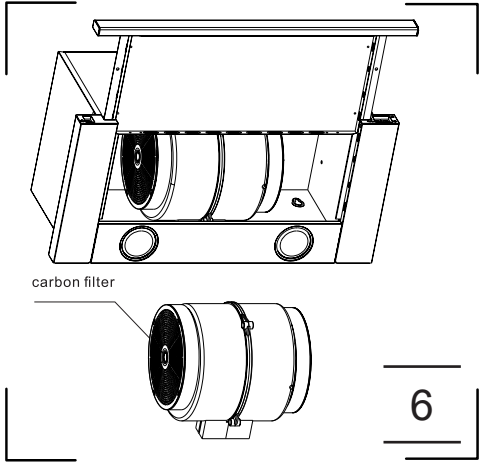
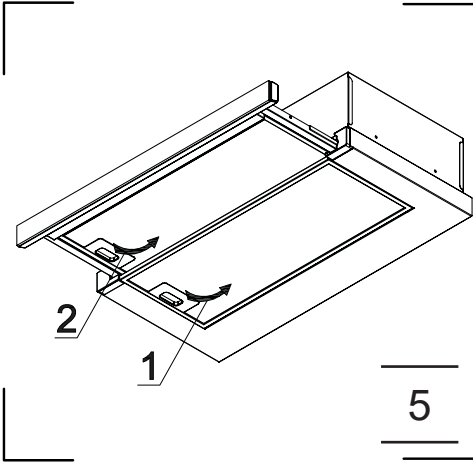




3d



4



**Компания изготовитель**

Амика С.А., Польша, 64-510 Вронки, ул. Мицкевича, 52  
Тел. +48 67 25 46100, факс +48 67 25 40 320

Amica S.A., ul. Mickiewicza 52, 64-510 Wronki  
tel. 67 25 46 100, fax 67 25 40 320

**Сделано в Китае**



**Претензии по качеству  
направлять в / Импортер на территорию РФ**

ООО «Ханса», Осенний бульвар, д.23, офис 1307  
Тел. +7 (495) 721-36-61/62 факс +7 (495) 721-36-63