

Instruction manual  
Инструкция по эксплуатации

Steam iron BR4012  
Паровой утюг BR4012



## СОДЕРЖАНИЕ

EN.....	3
DE.....	12
RU.....	22
KZ.....	32

## IRON BR4012

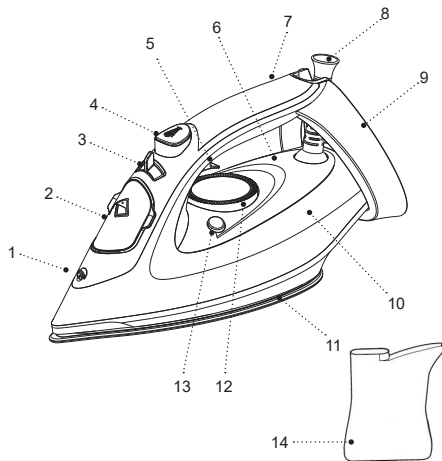
The iron is intended for ironing bedding, clothes and for vertical steaming of fabrics.

### DESCRIPTION

1. Water spray nozzle
2. Water inlet lid
3. Continuous steam supply knob
4. Water spray button
5. Burst of steam button
6. Heating element on/off
7. Handle
8. Power cord protection
9. Iron base
10. Water tank
11. Iron soleplate
12. Temperature control knob
13. Self-clean button «Self Clean»
14. Beaker

#### ATTENTION!

For additional protection it is reasonable to install a residual current device (RCD) with nominal operation current not exceeding 30 mA, to install RCD, contact a specialist.



## SAFETY MEASURES AND OPERATION RECOMMENDATIONS

**Read the operation instructions carefully before using the iron, after reading keep them for future reference.**

- Use the unit for its intended purpose only, as it is stated in this manual.
- Mishandling the iron can lead to its breakage and cause harm to the user or damage to the user's property, which is not covered by warranty.
- Make sure that the operating voltage of the unit indicated on the label corresponds to your home mains voltage.
- The power cord is equipped with a «euro-plug»; insert it into a socket that has a reliable grounding connection.
- To avoid fire, do not use adapters for connecting the unit to the mains.
- To avoid mains overloading, do not switch on several electrical appliances with high power consumption at the same time.
- Do not touch the unit body, the power cord and the power plug with wet hands.
- Do not let the power cord be on the ironing board and touch hot surfaces and sharp edges of furniture.
- Do not use the unit near heating appliances, heat sources or open flame.
- Do not use the unit in proximity to the kitchen sink, in bathrooms, near swimming pools or other containers filled with water.
- If the unit is dropped into water, unplug it immediately, and only then you can take the unit out of water. Apply to the authorized service center for testing or repairing the unit.
- Do not use the unit in places where aerosols are used or sprayed, and in proximity to highly inflammable liquids, do not use the unit in the places where such liquids are stored.
- Do not use the unit outdoors.
- It is recommended not to use the unit during lightning storms.
- Protect the unit from impacts, falling, vibrations and other mechanical stress.
- Do not leave the unit unattended. During breaks in operation, put the iron on the base (in vertical position).
- Before plugging the unit in set the temperature control knob to the minimal position and switch the continuous steam supply off.
- Always switch off and unplug the iron when you do not use it.
- Fill the tank with water additionally cleaned with a domestic filter.
- Do not fill the water tank with carbonated water, scented liquids, vinegar, starch solution, descaling reagents, chemical agents etc.
- Make sure that the water level in the tank is not above the maximal mark «MAX».

**ATTENTION!** The surfaces of the iron get hot during operation. Avoid contact of open skin areas with hot surfaces of the iron or outgoing steam to avoid burns.

- Never steam clothes directly on a person, always use a clothes hanger or a stand.
- Do not use the power cord as a carrying handle for the iron.
- Switch the unit off and unplug it after the use or before cleaning.
- When unplugging the unit, hold the power plug and carefully remove it from the mains socket, do not pull the power cord, as this can lead to its damage and cause a short circuit.
- To avoid electric shock do not immerse the iron, the power cord and the power plug into water or any other liquids.
- Before taking the iron away, let it cool down completely and pour out the remaining water.
- Clean the unit regularly.
- For child safety reasons do not leave polyethylene bags used as packaging unattended.

**Attention!** Do not allow children to play with polyethylene bags or packaging film. **Danger of suffocation!**

- The unit is not intended for usage by children.
- Do not leave children unattended to prevent using the unit as a toy.

- Do not allow children to touch the operating surface, the unit body, the power cord or the power plug during operation of the unit.
- Be especially careful if children or disabled persons are near the operating unit.
- During the unit operation and breaks between operation cycles, place the unit out of reach of children.
- The unit is not intended for usage by physically, sensory, psychically or mentally disabled persons (including children) or by persons lacking experience or knowledge if they are not under supervision of a person who is responsible for their safety or if they are not instructed by this person on the usage of the unit.
- From time to time check the power cord insulation integrity.
- If the power cord is damaged, it should be replaced by the manufacturer, a maintenance service or similar qualified personnel to avoid danger.
- Do not repair the unit by yourself. Do not disassemble the unit by yourself, if any malfunction is detected, and after the unit was dropped, unplug it and apply to the service center.
- To avoid damages, transport the unit in the original package.
- Keep the unit in a dry cool place out of reach of children and disabled persons.

**THE UNIT IS INTENDED FOR HOUSEHOLD USE ONLY, DO NOT USE THE UNIT FOR COMMERCIAL OR LABORATORY PURPOSES.**

### **BEFORE THE FIRST USE**

**After the unit's transportation or storage at negative temperature, unpack it and wait for at least 3 hours before using.**

- Unpack the iron and remove any packaging materials and advertising stickers.
- If there is a protective film on the soleplate (11), remove it.
- There may be water residue in the tank (10), as the iron has undergone factory quality control.
- Keep the original package.
- Read the safety measures and operating recommendations.
- Check the delivery set.
- Examine the unit for damages, in case of damage do not plug it into the mains.
- Make sure that specified specifications of power supply voltage of the unit correspond to the specifications of your mains. When using the unit in the mains with 60 Hz frequency, the unit does not need any additional settings.
- Clean the iron body and the soleplate (11) with a soft, slightly damp cloth and then wipe it dry.


### **WATER SELECTION**

- Use tap water to fill the water tank (10) of the iron.
- Anti-calc function softens water in order to decrease the mineral deposit in the steam chamber, but we recommend to fill the tank with water additionally cleaned with domestic filters.
- If tap water is hard, it is recommended to mix it with distilled water in proportion 1:1. If tap water is too hard, mix it with distilled water in proportion 1:2 or use distilled water only.

### **FILLING THE WATER TANK**

#### **ATTENTION!**

Before filling the water tank (10) with water make sure that the iron is switched off and unplugged.


- Set the temperature control knob (12) to the «MIN» position and the continuous steam supply knob (3) to the position «» (steam supply is off).
- Open the water inlet lid (2).
- Pour the water into the water tank using the beaker (14) and then close the lid (2).

#### **Notes:**

- do not let water go over the «MAX» mark when filling the water tank (10);
- if you need to refill the water tank during ironing, switch the iron off and remove the power plug from the mains socket.

## IRONING TEMPERATURE

Before using the iron for the first time test the heated iron on a piece of cloth to be sure that the iron soleplate (11) and the water tank (10) are clean.


- Before ironing check the recommended ironing temperature indicated on the tag.
- If the item label is marked with the symbol «», do not iron the item.
- If there is no label on the clothes item, but you know the type of fabric, refer to the following table to determine the proper temperature.

Обозначения	Тип ткани (температура)
	do not iron
•	Synthetics, nylon, acryl, polyester (low temperature)
••	Silk/wool (medium temperature)
•••	Cotton (high temperature)
<b>MAX</b>	Linen (high temperature)

- This table is only valid for smooth materials.
- Fabrics of other types (crimped, raised, etc.) are best ironed at low temperature.
- Sort items by ironing temperature first: synthetics with synthetics, wool with wool, cotton with cotton.

- The soleplate (11) heats up faster than it cools down, that's why you should start ironing with synthetics, then increase the temperature and iron silk and wool items. Cotton and linen items should be ironed last.
- If an item is made of mixed fabrics, set the lowest ironing temperature. For instance, if an item is made from polyester and cotton, set the ironing temperature for synthetics «•».
- If you cannot define the fabric structure, find a place that is inconspicuous while wearing and select the ironing temperature experimentally (always start with the lowest temperature and raise it gradually until you get the desired result).
- Corduroy and other fabrics that can become glossy should be ironed backside.

## DRY IRONING

- Place the iron on the base (9) on a flat and steady surface.
- Insert the power plug into the mains socket.
- Set the steam supply knob (3) to the position «» (the steam supply is off).
- Set the desired ironing temperature by turning the knob (12): «•», «••», «•••» or «MAX», depending on the type of fabric; the indicator (6) will light up.
- When the iron soleplate (11) reaches the set temperature, the indicator (6) will go out and you can start ironing.

- After you finish ironing, set the temperature control knob (12) to the «MIN» position.
- Disconnect the power plug from the mains socket and wait until the iron soleplate (11) cools down completely.


**Note:** when switching the unit on for the first time, foreign smell can appear. It is normal.


### STEAM IRONING

The iron is equipped with anti-drip valve that stops water supply, if the soleplate (11) temperature is too low, it prevents dripping from the soleplate (11) openings.

Steam ironing is possible only if the temperature control knob (12) is set to the steam mode «\*\*\*» or «MAX».

- Place the iron on its base (9).
- Insert the power plug into the mains socket.
- Make sure that there is enough water in the water tank (10).
- Turn the control knob (12) to set the required ironing temperature in the steam mode «\*\*\*» or «MAX», the indicator (6) will light up.
- When the temperature of the soleplate (11) reaches the set point, the indicator (6) will go out and you can start ironing.
- Set the necessary steam intensity with the continuous steam supply knob (3): steam will be released from the openings of the soleplate (11) only if the iron is in horizontal position. To stop the steam supply, put the

iron vertically or set the knob (3) to the position «» (steam supply is off).

- After you finish ironing, set the temperature control knob (12) to the position «MIN», and the continuous steam supply knob (3) to the position «» (steam supply is off).
- Disconnect the power plug from the mains socket and wait until the iron soleplate (11) cools down completely.

**ATTENTION! If steam is not supplied during the operation, check whether the temperature control knob (12) and the steam supply knob (3) are set properly and whether there is water in the water tank (10).**

### WATER SPRAY

- Make sure that there is enough water in the water tank (10).
- Press the water spray button (4) to dampen the fabrics.

### BURST OF STEAM

- The burst of steam is useful for ironing folds and can be used only in the high temperature ironing mode; set the temperature control knob (12) to the position «\*\*\*» or «MAX».
- When pressing the burst of steam button (45) steam will go out of the iron soleplate (11) openings intensively.



**Note:** to avoid water leakage from the soleplate (11) openings, press the burst of steam button (5) with 4-5 sec. intervals.

### VERTICAL STEAMING

- Vertical steaming of fabrics or interior objects can be performed only in the high temperature ironing mode. Set the temperature control knob (12) to the position «\*\*\*» or «MAX»).
- Hold the iron vertically at the distance of 5-20 cm from the clothes or interior objects and press the burst of steam button (5) with 4-5 second intervals, steam will be released from the soleplate (11) openings intensively.

### ATTENTION!

- To avoid fabric melting, do not touch it with the iron soleplate (11) while steaming.
- Do not steam clothes on a person. Use a clothes hanger or a coat rack.
- After you finish ironing, switch the iron off by setting the temperature control knob (12) to the «MIN» position and unplug it, wait until the iron soleplate (11) cools down completely, then open the water inlet lid (2), turn over the iron and drain the remaining water.

### AUTOMATIC SWITCH OFF


- The iron has 2 automatic switch off modes.

1. If the iron is set in horizontal position and remains still for 30 seconds, the iron's heating element will be switched off, and the indicator (6) will be flashing.

2. If you set the iron in vertical position on the base (9) and leave it for 8 minutes, the heating element will switch off and the indicator (6) will be flashing.

- To resume ironing set the iron from horizontal position to vertical or vice versa, wait until the iron soleplate (11) heats up and continue ironing.

### STEAM CHAMBER CLEANING


- Regularly clean the steam chamber of the iron, especially in the regions with «hard» tap water.
- Set the continuous steam supply knob (3) to the position «» (steam supply is off).
- Open the lid (2), fill the tank with water up to the maximal mark «MAX» and close the lid (2).
- Place the iron on its base (9).
- Insert the power plug into the mains socket.
- Set the temperature control knob (12) to the «MAX» position, the indicator (6) will light up.
- When the iron soleplate (11) reaches the set temperature, the indicator (6) will go out and you can start cleaning the steam chamber of the iron.
- Remove the power plug from the mains socket.
- Hold the iron horizontally above the sink, press and hold down the self-clean button (13) «Self Clean».
- Boiling water and steam with scale will be intensively released from the soleplate (11) openings.

- Slightly sway the iron back and forth, until all the water leaves the water tank (10), release the button (13) «Self Clean».
- Place the iron on its base (9) and let the soleplate (11) cool down completely.
- After the soleplate (11) cools down, wipe it with a dry cloth.
- Before taking the iron away for storage make sure that the water tank (10) is empty, and the iron soleplate (11) is dry.

#### **CLEANING AND MAINTENANCE**

- Before cleaning make sure that the iron is switched off and cold and the power plug is not connected to the mains socket.
- Wipe the iron body with a slightly damp cloth and then wipe it dry.
- You can remove the mineral deposit from the iron soleplate (11) with a cloth soaked in table vinegar.
- After removing the mineral deposit polish the soleplate (11) surface with a dry clean cloth.
- Do not use abrasives or solvents to clean the iron soleplate (11) and body.
- Avoid contact of the iron soleplate (11) with sharp metal objects, as well as with metal buttons, zippers etc.
- Do not immerse the iron, the power cord and the power plug into water or any other liquids.

#### **STORAGE**

- Before taking the iron away for storage drain the remaining water from the water tank (10) and clean the iron.
- Set the temperature control knob (12) to the position «MIN» and switch the continuous steam supply knob (3) to the position «» (the steam supply is off).
- Wind the power cord around the base (9).
- Store the iron vertically in a dry cool place out of reach of children and disabled persons.

#### **DELIVERY SET**

1. Iron – 1 pc.
2. Beaker – 1 pc.
3. Instruction manual – 1 pc.

#### **TECHNICAL SPECIFICATIONS**

- Power supply: 220-240 V, ~ 50/60 Hz
- Rated input power: 3100 W
- Water tank capacity: 265 ml
- Continuous steam: up to 35 g/min
- Steam release: 160 g/min

## RECYCLING



To prevent possible damage to the environment or harm to the health of people by uncontrolled waste disposal, after expiration of the service life of the unit or the batteries (if included), do not discard them with usual household waste, take the

unit and the batteries to specialized stations for further recycling.

The waste generated during the disposal of products is subject to mandatory collection and consequent disposal in the prescribed manner.

For further information about recycling of this product apply to a local municipal administration, a household waste disposal service or to the shop where you purchased this product.

The manufacturer reserves the right to change the design, structure and specifications not affecting general operation principles of the unit, without prior notice.

### **The unit operating life is 3 years**

The manufacturing date is specified in the serial number.

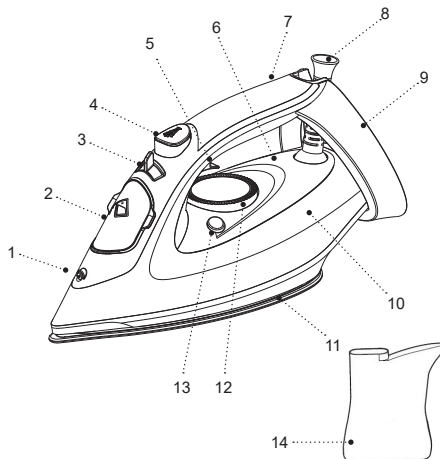
In case of any malfunctions, it is necessary to apply promptly to the authorized service center.

## BÜGELEISEN BR4012

Das Bügeleisen ist zum Bügeln von Wäsche und Kleidung sowie zum senkrechten Dampfen von Stoffen bestimmt.

### BESCHREIBUNG

1. Wassersprüher
2. Einfüllöffnungsdeckel
3. Dampfgregler
4. Wassersprüh Taste
5. Dampfstoßtaste
6. Kontrolleuchte der Ein-/Ausschaltung des Heizelements/automatischen Abschaltung des Bügeleisens
7. Griff
8. Netzkabelschutz
9. Bügeleisenfußplatte
10. Wasserbehälter
11. Bügeleisensohle
12. Temperaturregler
13. Taste für Selbstreinigungsmodus «Self Clean»
14. Messbecher



### ACHTUNG!

Als zusätzlicher Schutz ist es zweckmäßig, den FI-Schalter mit Nennstrom maximal bis 30 mA im Stromversorgungskreis aufzustellen; wenden Sie sich dafür an einen Spezialisten.

## SICHERHEITSHINWEISE UND BEDIENUNGSANLEITUNG

**Bevor Sie das Bügeleisen benutzen, lesen Sie die Bedienungsanleitung aufmerksam durch und bewahren Sie sie zum späteren Gebrauch auf.**

- Benutzen Sie das Gerät nur bestimmungsmäßig und laut dieser Bedienungsanleitung.
- Missbrauch des Geräts kann zu seiner Störung führen, den Benutzer oder sein Eigentum beschädigen und ist kein Garantiefall.
- Vergewissern Sie sich, dass die auf dem Bezeichnungszettel angegebene Gerätebetriebsspannung und die Netzspannung Ihrer Wohnung übereinstimmen.
- Das Netzkabel ist mit einem Schuko-Stecker ausgestattet; stecken Sie diesen in die Steckdose mit sicherer Erdung ein.
- Um eine Brandgefahr zu vermeiden, verwenden Sie keine Adapterstecker, wenn Sie das Gerät an eine Steckdose anschließen.
- Es ist nicht gestattet, mehrere Geräte mit hoher Aufnahmeleistung gleichzeitig einzuschalten, um eine Stromnetzüberlastung zu vermeiden.
- Berühren Sie das Gerätegehäuse, das Netzkabel und den Netzstecker mit nassen Händen nicht.
- Achten Sie darauf, dass das Netzkabel auf dem Bügelbrett nicht liegt, sowie heiße Oberflächen und scharfe Möbelkanten nicht berührt.
- Benutzen Sie das Gerät in direkter Nähe von Heizgeräten, Wärmequellen oder offenem Feuer nicht.
- Benutzen Sie das Gerät in der Nähe von Spülbecken, in Badezimmern und neben Schwimmbecken oder anderen mit Wasser gefüllten Behältern nicht.
- Falls das Gerät ins Wasser gefallen ist, ziehen Sie den Netzstecker aus der Steckdose sofort heraus, erst danach holen Sie das Gerät aus dem Wasser heraus. Wenden Sie sich an einen autorisierten Kundendienst, um das Gerät prüfen oder reparieren zu lassen.
- Das Gerät darf nicht an Orten, an denen Aerosole benutzt oder versprüht werden, und auch in der Nähe von leichtentzündbaren Flüssigkeiten verwendet werden; verwenden Sie das Gerät auch nicht an Orten, an denen solche Flüssigkeiten aufbewahrt werden.
- Es ist nicht gestattet, das Gerät draußen zu benutzen.
- Es ist nicht empfohlen, das Gerät bei Gewitter zu benutzen.
- Schützen Sie das Gerät vor Stößen, Stürzen, Vibrationen und anderen mechanischen Einwirkungen.
- Lassen Sie das Gerät nie unbeaufsichtigt. Während der Betriebspausen stellen Sie das Bügeleisen auf die Fußplatte (senkrecht) auf.

- Bevor Sie den Netzstecker an eine Steckdose anschließen, stellen Sie den Temperaturregler auf die minimale Position und schalten Sie die Dampfzufuhr aus.
- Schalten Sie unbedingt das Bügeleisen aus ziehen und den Netzstecker aus der Steckdose heraus, wenn Sie es nicht verwenden.
- Es ist empfohlen, mit Haushaltsfiltern zusätzlich gereinigtes Wasser in den Behälter einzugießen.
- Gießen Sie kohlenensäurehaltiges Wasser, aromatische Flüssigkeiten, Essig, Stärkelösung, Entkalkungsmittel, Chemikalien usw. in den Wasserbehälter nicht ein.
- Achten Sie darauf, dass der Wasserstand im Behälter nicht über der «MAX»-Maximalmarke liegt.

**ACHTUNG! Die Bügeleisenoberflächen erhitzen sich während des Betriebs. Lassen Sie Ihre Haut mit heißen Bügeleisenoberflächen oder Austrittsdampf berühren, um Verbrennungen zu vermeiden.**

- Es ist verboten, die an einer Person angezogene Kleidung zu dämpfen, hängen Sie Kleidung immer nur an einen Kleiderbügel oder einen Kleiderrechen.
- Verwenden Sie das Netzkabel als Griff zum Tragen des Bügeleisens nicht.
- Schalten Sie das Gerät aus und ziehen Sie den Netzstecker aus der Steckdose heraus, nachdem Sie das Bügeleisen verwendet haben oder bevor Sie es reinigen.

- Wenn Sie das Gerät vom Stromnetz abtrennen, halten Sie den Netzstecker fest und ziehen Sie ihn aus der Steckdose vorsichtig heraus; ziehen Sie das Netzkabel nicht, da es zu seiner Beschädigung und einem Kurzschluss führen kann.
- Um einen Stromschlag zu vermeiden, tauchen Sie das Bügeleisen, das Netzkabel und den Netzstecker ins Wasser oder jegliche andere Flüssigkeiten nicht ein.
- Bevor das Bügeleisen zur Aufbewahrung wegzunehmen, lassen Sie es völlig abkühlen und gießen Sie Restwasser ab.
- Reinigen Sie das Gerät regelmäßig.
- Aus Kindersicherheitsgründen lassen Sie die als Verpackung verwendeten Plastiktüten nie ohne Aufsicht.

**Achtung!** Lassen Sie Kinder mit Plastiktüten oder Verpackungsfolien nicht spielen. **Erstickenungsgefahr!**

- Das Gerät ist nicht für Kinder bestimmt.
- Beaufsichtigen Sie Kinder, damit sie das Gerät als Spielzeug nicht benutzen.
- Lassen Sie Kinder die Arbeitsfläche, das Gerätegehäuse, das Netzkabel oder den Netzstecker während des Gerätebetriebs nicht berühren.
- Besondere Vorsichtsmaßnahmen sind in den Fällen angesagt, wenn sich Kinder oder behinderte Personen während des Gerätebetriebs in der Nähe aufhalten.

- Während des Betriebs und der Pausen zwischen den Betriebszyklen stellen Sie das Gerät an einen für Kinder unzugänglichen Ort auf.
- Das Gerät ist für Personen (darunter Kinder) mit Körper-, Nerven- oder Geistesstörungen oder Personen ohne ausreichende Erfahrung und Kenntnisse nicht geeignet, es sei denn, sie werden von einer für ihre Sicherheit verantwortlichen Person beaufsichtigt oder sie wurden von dieser Person über die Gerätenutzung unterwiesen.
- Prüfen Sie die Netzkabelisolierung periodisch.
- Wenn das Netzkabel beschädigt ist, soll es vom Hersteller, vom Kundendienst oder vom gleichwertig qualifizierten Personal ersetzt werden, um Gefahren zu vermeiden.
- Es ist nicht gestattet, das Gerät selbständig zu reparieren. Es ist nicht gestattet, das Gerät selbständig auseinanderzunehmen; bei der Feststellung jeglicher Beschädigungen, sowie im Sturzfall, trennen Sie das Gerät vom Stromnetz ab und wenden Sie sich an einen Kundendienst.
- Um Beschädigungen zu vermeiden, transportieren Sie das Gerät nur in der Fabrikverpackung.
- Bewahren Sie das Gerät an einem trockenen, kühlen und für Kinder und behinderte Personen unzugänglichen Ort auf.

**DAS GERÄT IST NUR FÜR DEN GEBRAUCH IM HAUSHALT GEEIGNET, ES IST VERBOTEN, DAS GERÄT ZU HANDELS- ODER LABORZWECKEN ZU BENUTZEN.**

## **VOR DER ERSTEN NUTZUNG**

**Packen Sie das Gerät aus und warten Sie mindestens 3 Stunden, bevor Sie es bei einer negativen Temperatur transportieren oder bewahren.**


- Packen Sie das Bügeleisen aus und entfernen Sie alle Verpackungsmaterialien und Werbeaufkleber.
- Wenn sich ein Schutzfilm auf der Bügeleisensohle (11) befindet, entfernen Sie diesen.
- Es können Wasserreste im Behälter (10) vorhanden sein, weil das Bügeleisen durch betriebliche Qualitätskontrolle geprüft wurde.
- Bewahren Sie die Originalverpackung auf.
- Machen Sie sich mit den Sicherheitsmaßnahmen und Bedienungsempfehlungen bekannt.
- Prüfen Sie die Komplettheit.
- Untersuchen Sie das Gerät auf Beschädigungen; wenn es beschädigt ist, schließen Sie es ans Stromnetz nicht an.
- Vergewissern Sie sich, dass die angegebenen Parameter der Versorgungsspannung des Geräts und die Stromnetzparameter übereinstimmen. Beim 60-Hz-Stromnetz-Gerätebetrieb sind keine zusätzlichen Maßnahmen erforderlich.
- Wischen Sie das Bügeleisengehäuse mit einem leicht angefeuchteten Tuch (11), danach trocknen Sie es ab.

### WAHL DES WASSERS

- Füllen Sie den Behälter (10) mit Leitungswasser an.
- Die Anti-calc-Funktion macht das Wasser weich, um Mineralablagerungen in der Dampfkammer zu reduzieren. Es ist jedoch empfohlen, das mit Haushaltsfiltern zusätzlich gereinigte Wasser in den Bügeleisenbehälter einzugießen.
- Falls das Leitungswasser hart ist, mischen Sie es mit destilliertem Wasser in Verhältnis 1:1. Bei sehr hartem Wasser mischen Sie es mit destilliertem Wasser in Verhältnis 1:2 oder benutzen Sie nur destilliertes Wasser.

### AUFFÜLLEN DES WASSERBEHÄLTERS

**ACHTUNG! Stellen Sie vor dem Auffüllen des Bügeleisenbehälters (10) mit Wasser sicher, dass das Bügeleisen ausgeschaltet ist und der Netzstecker an die Steckdose nicht angeschlossen ist.**


- Stellen Sie den Temperaturregler (12) in Position «MIN» ein und den Dampfstromregler (3) – in Position  (Dampfzuführung abgeschaltet).
- Öffnen Sie den Einfüllöffnungsdeckel (2).
- Gießen Sie Wasser in den Behälter ein, benutzen Sie dabei den Messbecher (14), dann machen Sie den Deckel (2) zu.


### Anmerkungen:

- gießen Sie Wasser in den Behälter (10) über die «MAX»-Marke nicht ein;
- Wenn Sie während des Bügelns Wasser nachfüllen müssen, schalten Sie das Bügeleisen aus und ziehen Sie den Netzstecker aus der Steckdose heraus.

### BÜGELTEMPERATUR

Vor der ersten Nutzung prüfen Sie das aufgeheizte Bügeleisen an einem Tuch, um sich zu vergewissern, dass die Bügeleisensohle (11) und der Wasserbehälter (10) sauber sind.

- Vor dem Bügeln beachten Sie das Etikett des Erzeugnisses, wo die empfohlene Bügeltemperatur angegeben ist.
- Wenn sich das Symbol  auf dem Etikett befindet, kann dieses Erzeugnis nicht gebügelt werden.
- Wenn das Kleideretikett fehlt, Sie aber den Stofftyp kennen, sehen Sie die Tabelle zum Wählen der Bügeltemperatur ein.

Обозначения	Тип ткани (температура)
	do not iron



•	Synthetics, nylon, acryl, polyester (low temperature)
••	Silk/wool (medium temperature)
•••	Cotton (high temperature)
<b>MAX</b>	Linen (high temperature)

- Die Tabelle ist nur zum Bügeln von glatten Stoffen verwendbar.
- Wenn der Stoff gaufriert, geriffelt usw. ist, bügeln Sie es am besten bei niedriger Temperatur.
- Zuerst sortieren Sie die Kleidungsstücke nach der Bügeltemperatur aus: Synthefaser zur Synthefaser, Wolle zur Wolle, Baumwolle zur Baumwolle usw.
- Die Bügeleisensole (11) erwärmt sich schneller als es abkühlt, deshalb müssen Sie zuerst synthetische Stoffe bügeln, dann die Temperatur erhöhen und die Seidenstoffe bügeln; Woll-, Baumwoll- und Flachartikel bügeln Sie zuallerletzt.
- Wenn der Stoff Mischfasern hat, muss die niedrigste Bügeltemperatur eingestellt werden. Wenn der Stoff eines Erzeugnisses beispielsweise aus Polyester und Baumwolle besteht, stellen Sie die Temperatur für Synthefaser auf «•» ein.
- Wenn Sie den Stofftyp nicht feststellen können, finden Sie auf dem Erzeugnis eine beim Tragen unauffällige Stelle und wählen Sie die Bügeltemperatur versuchsweise (fangen Sie immer mit der niedrigsten Bügeltemperatur an und erhöhen

Sie diese allmählich, bis das gewünschte Ergebnis erreicht wird).

- Kord und andere Stoffe, die Glanzflecken bilden können, sollen auf der Rückseite gebügelt werden.

## TROCKENBÜGELN

- Stellen Sie das Bügeleisen auf die Fußplatte (9) auf eine ebene und standfeste Oberfläche auf.
- Stecken Sie den Netzstecker in die Steckdose ein.
- Stellen Sie den Dampfreger (3) in die Position «~~XX~~» (Dampfzufuhr ausgeschaltet) ein.
- Stellen Sie die Bügeltemperatur mittels des Reglers (12) abhängig vom Stofftyp ein: «•», «••», «•••» oder «MAX»; dabei leuchtet die Kontrolleuchte (6) auf.
- Wenn die Bügeleisensole (11) die eingestellte Temperatur erreicht und die Kontrolleuchte (6) erlischt, können Sie zu bügeln beginnen.
- Nach der Nutzung des Bügeleisens stellen Sie den Temperaturreger (12) in die Position «MIN» ein.
- Ziehen Sie den Netzstecker aus der Steckdose heraus und lassen Sie die Bügeleisensole (11) vollständig abkühlen.



**Anmerkung:** bei erster Geräteeinschaltung kann ein Fremdgeruch entstehen, es ist normal.

## DAMPFBÜGELN

In der Bügeleisenkonstruktion ist ein Tropfschutzventil vorgesehen, das die Wasserzufuhr bei einer niedrigen Temperatur der Bügeleisensole (11) abschaltet; dadurch

wird einen Wasserausfluß aus den Öffnungen der Bügeleisensole (11) verhindert.

Das Dampfbügeln ist nur dann möglich, wenn der Temperaturregler (12) im Dampfbetriebsbereich «\*\*\*» oder «MAX» ist.

- Stellen Sie das Bügeleisen auf die Fußplatte (9) auf.
- Stecken Sie den Netzstecker in die Steckdose ein.
- Vergewissern Sie sich, dass es genug Wasser im Wasserbehälter (10) gibt.
- Drehen Sie den Regler (12), um die gewünschte Bügeltemperatur im Dampfbetriebsbereich «\*\*\*» oder «MAX» einzustellen, dabei leuchtet die Kontrolleuchte (6) auf.
- Wenn die Bügeleisensole (11) die eingestellte Temperatur erreicht und die Kontrolleuchte (6) erlischt, können Sie zum Bügeln übergehen.
- Stellen Sie die notwendige Dampfintensität mit dem Dampfregler (3) ein, der Dampf tritt aus den Öffnungen der Sohle (11) nur in horizontaler Position des Bügeleisens aus. Um die Dampfzufuhr zu unterbrechen, stellen Sie das Bügeleisen senkrecht auf oder stellen Sie den Regler (3) in die Position «» (Dampfzufuhr ausgeschaltet) um.
- Nach der Nutzung des Bügeleisens stellen Sie den Temperaturregler (12) in die Position «MIN» und den Dampfregler (3) in die Position «» (Dampfzufuhr ausgeschaltet) ein.

- Ziehen Sie den Netzstecker aus der Steckdose heraus und lassen Sie die Bügeleisensole (11) vollständig abkühlen.

### **ACHTUNG!**

Wenn kein Dampf während des Betriebs austritt, prüfen Sie, ob der Temperaturregler (12) und der Dampfregler (3) richtig eingestellt sind und ob es Wasser im Wasserbehälter (10) gibt.

### **WASSERSPRÜHER**

- Vergewissern Sie sich, dass es genug Wasser im Wasserbehälter (10) gibt.
- Um den Stoff zu befeuchten, drücken Sie die Wassersprühstaste (4).

### **DAMPFSTOSS**

- Der Dampfstoß hilft, Falten zu bügeln und kann nur beim Hochtemperaturbügeln verwendet werden; stellen Sie den Temperaturregler (12) auf «\*\*\*» oder «MAX» ein.
- Beim Drücken der Dampfstoßstaste (5) tritt der Dampf aus den Öffnungen der Bügeleisensole (11) intensiv aus.

**Anmerkung:** um einen Wasserausfluß aus den Öffnungen der Bügeleisensole (11) zu vermeiden, drücken Sie die Dampfstoßstaste (5) mit einem Intervall von 4-5 Sekunden.

### **SENKRECHTES DAMPFEN**

- Das senkrechte Dämpfen von Stoffen oder Einrichtungsgegenständen ist nur beim

Hochtemperaturbügel möglich; stellen Sie den Temperaturregler (12) auf «\*\*\*» oder «MAX» ein.

- Halten Sie das Bügeleisen senkrecht 5-20 cm von der Kleidung oder Einrichtungsgegenständen entfernt und drücken Sie die Dampfstoßtaste (5) mit einem Intervall von 4-5 Sekunden, der Dampf wird aus den Öffnungen der Bügeleisensole (11) intensiv austreten.

### ACHTUNG!

- Es ist nicht gestattet, den Stoff beim Dämpfen mit der Bügeleisensole (11) zu berühren, um dessen Schmelzen zu vermeiden.

- Es ist verboten, die an einer Person angezogene Kleidung zu dämpfen, benutzen Sie einen Kleiderbügel oder einen Kleiderrechen.

- Nach dem Bügeln das Bügeleisen abschalten, indem der Temperaturregler (12) in Position «MIN» eingestellt sein muss, den Netzstecker ziehen und abwarten, bis die Bügelsole (11) ganz kalt wird, die Deckel der Einfüllöffnung (2) aufmachen, das Bügeleisen umkippen und die Wasserreste abfließen lassen.

### AUTOMATISCHE ABSCHALTUNG


- 2 Betriebe der automatischen Bügeleisenabschaltung sind vorgesehen.

1. Wenn das Bügeleisen 30 Sekunden lang horizontal und unbetrieben ist, schaltet sich das Heizelement des Bügeleisens aus, und die Kontrolleuchte (6) blinkt.

2. Wenn Sie das Bügeleisen senkrecht auf die Fußplatte (9) stellen und 8 Minuten lang unbetrieben stehen lassen, schaltet sich das Heizelement des Bügeleisens aus, und die Kontrolleuchte (6) blinkt.

- Um das Bügeln fortzusetzen, stellen Sie das Bügeleisen von einer horizontalen Position in eine senkrechte Position oder umgekehrt um und warten Sie ab, bis sich die Bügeleisensole (11) erwärmt, dann setzen Sie das Bügeln fort.

### REINIGUNG DER DAMPFKAMMER

- Es ist empfohlen, die Dampfkammer des Bügeleisens regelmäßig zu reinigen, insbesondere in Regionen mit «hartem» Leitungswasser.
- Stellen Sie den Dampfregler (3) in die Position «» (Dampfzufuhr ausgeschaltet) ein.
- Öffnen Sie den Deckel (2), füllen Sie Wasser bis zur maximalen «MAX»-Marke und schließen Sie den Deckel (2).
- Stellen Sie das Bügeleisen auf die Fußplatte (9) auf.
- Stecken Sie den Netzstecker in die Steckdose ein.
- Stellen Sie den Temperaturregler (12) in die Position «MAX» ein, dabei leuchtet die Kontrolleuchte (6) auf.
- Wenn die Bügeleisensole (11) die eingestellte Temperatur erreicht und die Kontrolleuchte (6) erlischt,

können Sie die Dampfkammer des Bügeleisens reinigen.

- Ziehen Sie den Netzstecker aus der Steckdose heraus.
- Das Bügeleisen waagrecht über dem Becken platzieren, die Selbstreinigungstaste (13) «Self Clean» gedrückt halten.
- Kochendes Wasser und Dampf werden zusammen mit Kalk aus den Öffnungen der Bügeleisensole (11) austreten.
- Das Bügeleisen leicht nach vorn und nach hinten schaukeln, bis das ganze Wasser aus dem Reservoir (10) nicht ausläuft, die Taste (13) «Self Clean» loslassen.
- Stellen Sie das Bügeleisen auf die Fußplatte (9) auf und lassen Sie die Bügeleisensole (11) vollständig abkühlen.
- Wischen Sie die Sohle (11) nach dem Abkühlen mit einem trockenen Tuch ab.
- Vergewissern Sie sich vor der Aufbewahrung des Bügeleisens, dass sich kein Wasser im Behälter (10) befindet und die Bügeleisensole (11) trocken ist.

## PFLEGE UND REINIGUNG

- Vergewissern Sie sich vor dem Reinigen des Bügeleisens, dass es ausgeschaltet und abgekühlt ist und der Netzstecker an keine Steckdose angeschlossen ist.
- Wischen Sie das Bügeleisengehäuse mit einem weichen, leicht angefeuchteten Tuch, danach trocknen Sie es ab.

- Mineralablagerungen auf der Bügeleisensole (11) können mit einem mit Essig angefeuchteten Tuch entfernt werden.
- Nach der Entfernung der Mineralablagerungen wischen Sie die Sohle (11) mit einem sauberen und trockenen Tuch ab.
- Es ist nicht gestattet, Abrasiv- oder Lösungsmittel zur Reinigung der Sohle (11) und des Bügeleisengehäuses zu benutzen.
- Vermeiden Sie den Kontakt der Bügeleisensole (11) mit scharfen Metallgegenständen sowie mit Metallknöpfen, Reißverschlüssen usw.
- Es ist nicht gestattet, das Bügeleisen, das Netzkabel, den Netzstecker in Wasser oder jegliche andere Flüssigkeiten einzutauchen.

## AUFBEWAHRUNG

- Gießen Sie Restwasser aus dem Behälter (10) vor der Aufbewahrung des Bügeleisens ab und reinigen Sie das Bügeleisen.
- Stellen Sie den Temperaturregler (12) auf «MIN» und den Dampfgregler (3) in die Position «~~ON~~» (Dampfzufuhr ausgeschaltet) ein.
- Wickeln Sie das Netzkabel um die Fußplatte (9) auf.
- Bewahren Sie das Bügeleisen senkrecht an einem trockenen, kühlen und für Kinder und behinderte Personen unzugänglichen Ort auf.

## LIEFERUMFANG

1. Bügeleisen – 1 Stk.
2. Meßbecher – 1 Stk.
3. Bedienungsanleitung– 1 Stk.

## TECHNISCHE EIGENSCHAFTEN

- Stromversorgung: 220-240 V, ~ 50/60 Hz
- Nennleistungsaufnahme: 3100 W
- Fassungsvermögen des Wasserbehälters: 265 ml
- Dauerdampf: bis zu 35 g/min
- Dampfzufuhr: 160 g/Min.

## ENTSORGUNG



Um mögliches Schaden für die Umwelt oder die menschliche Gesundheit durch unkontrollierte Abfallentsorgung zu vermeiden, entsorgen Sie das Gerät und die Batterien (falls mitgeliefert) nach Beendigung ihrer Nutzungsdauer

zusammen mit gewöhnlichen Haushaltsabfällen nicht, sondern geben Sie das Gerät und die Batterien in die Spezialpunkte für weitere Verwertung über.

Die bei der Entsorgung der Erzeugnisse entstehenden Abfälle sind unbedingt zu sammeln und weiter ordnungsmäßig zu verwerten.

Mehrere Informationen zur Entsorgung dieses Produkts erhalten Sie bei Ihrer lokalen Stadtverwaltung, einem Abfallentsorgungsdienst oder beim Geschäft, wo Sie dieses Produkt gekauft haben.

Der Hersteller behält sich das Recht vor, das Design, die Konstruktion und die das gemeine Gerätebetriebsprinzip nicht beeinflussenden technischen Eigenschaften ohne Vorbenachrichtigung zu verändern.

## Die Gerätenutzungsdauer beträgt 3 Jahre

Das Herstellungsdatum ist in der Fabrikationsnummer angegeben.

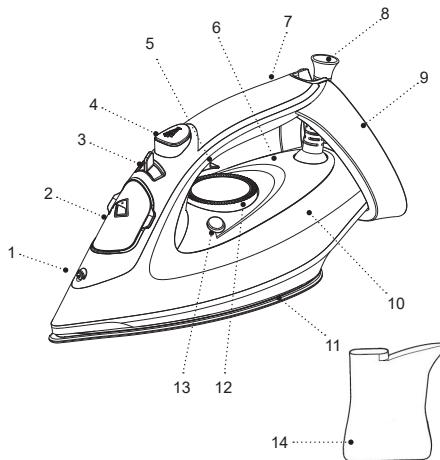
Bei Störungsfeststellung wenden Sie sich baldigst an einen autorisierten Kundendienst.

## УТЮГ BR4012

Утюг предназначен для глажения белья, одежды и вертикального отпаривания тканей.

### ОПИСАНИЕ

1. Сопло разбрызгивателя воды
2. Крышка заливочного отверстия
3. Регулятор постоянной подачи пара
4. Клавиша разбрызгивателя воды
5. Клавиша дополнительной подачи пара
6. Индикатор включения/выключения нагревательного элемента/ автоматического отключения утюга
7. Ручка
8. Защита сетевого шнура
9. Основание утюга
10. Резервуар для воды
11. Подошва утюга
12. Регулятор температуры
13. Кнопка режима самоочистки «Self Clean»
14. Мерный стаканчик



### ВНИМАНИЕ!

Для дополнительной защиты в цепи питания целесообразно установить устройство защитного отключения (УЗО) с номинальным током срабатывания, не превышающим 30 мА, для установки УЗО обратитесь к специалисту.

## **МЕРЫ БЕЗОПАСНОСТИ И РЕКОМЕНДАЦИИ ПО ЭКСПЛУАТАЦИИ**

**Перед использованием утюга внимательно ознакомьтесь с руководством по эксплуатации, после прочтения сохраните его для использования в будущем.**

- Используйте устройство только по его прямому назначению, как изложено в данной инструкции.
- Неправильное обращение с утюгом может привести к его поломке, причинению вреда пользователю или его имуществу и не является гарантийным случаем.
- Убедитесь, что рабочее напряжение устройства, указанное на этикетке, соответствует напряжению электросети вашей квартиры.
- Шнур питания снабжён «евровилкой»; включайте её в электрическую розетку, имеющую надёжный контакт заземления.
- Во избежание риска возникновения пожара не используйте переходники при подключении устройства к электрической розетке.
- Во избежание перегрузки электрической сети не включайте одновременно несколько устройств с большой потребляемой мощностью.
- Не прикасайтесь к корпусу устройства, к шнуру питания и к вилке шнура питания мокрыми руками.
- Следите, чтобы шнур питания не находился на гладильной доске, не касался горячих поверхностей и острых кромок мебели.
- Не используйте устройство в непосредственной близости от нагревательных приборов, источников тепла или открытого пламени.
- Не используйте устройство вблизи от кухонной раковины, ванных комнатах, около бассейнов или других ёмкостей, наполненных водой.
- Если устройство упало в воду, немедленно выньте вилку шнура питания из электрической розетки, и только после этого можно достать устройство из воды. Обратитесь в сервисный центр для осмотра или ремонта устройства.
- Запрещается использовать устройство в местах, где используются или распыляются аэрозоли, а также вблизи от легковоспламеняющихся жидкостей, запрещается использовать устройство в местах хранения таких жидкостей.
- Запрещается использовать устройство вне помещений.
- Не рекомендуется использовать устройство во время грозы.
- Оберегайте устройство от ударов, падений, вибраций и иных механических воздействий.
- Не оставляйте устройство без присмотра. Во время перерывов в работе устанавливайте утюг на основание (в вертикальное положение).

- Перед тем, как вставить вилку шнура питания в электрическую розетку, установите регулятор температуры в минимальное положение и отключите постоянную подачу пара.
- Обязательно отключайте утюг и вынимайте вилку шнура питания из электрической розетки, если вы им не пользуетесь.
- Рекомендуется заливать в резервуар воду, прошедшую дополнительную очистку бытовыми фильтрами.
- Запрещается заливать в резервуар для воды газированную воду, ароматизирующие жидкости, уксус, раствор крахмала, реагенты для удаления накипи, химические вещества и т.п.
- Следите, чтобы уровень воды в резервуаре был не выше максимальной отметки «MAX».

**ВНИМАНИЕ!** Поверхности утюга нагреваются во время работы. Чтобы избежать ожогов, избегайте контакта открытых участков кожи с горячими поверхностями утюга или выходящим паром.

- Запрещается отпаривать одежду непосредственно на теле человека, всегда вешайте одежду на плечики или вешалку.
- Запрещается использовать шнур питания в качестве ручки для переноски утюга.
- Отключайте устройство и вынимайте вилку шнура питания после использования утюга или перед его чисткой.

- При отключении устройства от электрической сети держитесь за вилку шнура питания и аккуратно выньте её из электрической розетки, не тяните за шнур питания – это может привести к его повреждению и вызвать короткое замыкание.
- Чтобы избежать поражения электрическим током, не погружайте утюг, шнур питания и вилку шнура питания в воду или любые другие жидкости.
- Прежде чем убрать утюг, дайте ему полностью остыть и слейте остатки воды.
- Регулярно проводите чистку устройства.
- Из соображений безопасности детей не оставляйте полиэтиленовые пакеты, используемые в качестве упаковки, без надзора.

**Внимание!** Не разрешайте детям играть с полиэтиленовыми пакетами или упаковочной плёнкой.  
**Опасность удушья!**

- Устройство не предназначено для использования детьми.
- Осуществляйте надзор за детьми, чтобы не допустить использования устройства в качестве игрушки.
- Не разрешайте детям прикасаться к рабочей поверхности, к корпусу устройства, к шнуру питания или к вилке шнура питания во время работы устройства.
- Будьте особенно внимательны, если поблизости от работающего устройства находятся дети или лица с ограниченными возможностями.



- Во время работы и в перерывах между рабочими циклами размещайте устройство в местах, недоступных для детей.
- Прибор не предназначен для использования лицами (включая детей) с пониженными физическими, сенсорными, психическими или умственными способностями, или при отсутствии у них опыта или знаний, если они не находятся под контролем или не проинструктированы лицом, ответственным за их безопасность, об использовании прибора.
- Периодически проверяйте целостность изоляции шнура питания.
- При повреждении шнура питания его замену, во избежание опасности, должны производить изготовитель, сервисная служба или подобный квалифицированный персонал.
- Запрещается самостоятельно ремонтировать устройство. Не разбирайте устройство самостоятельно, при возникновении любых неисправностей, а также после падения устройства отключите его от электросети и обратитесь в сервисный центр.
- Во избежание повреждений перевозите устройство в заводской упаковке.
- Храните устройство в сухом прохладном месте, недоступном для детей и людей с ограниченными возможностями.

**УСТРОЙСТВО ПРЕДНАЗНАЧЕНО ТОЛЬКО ДЛЯ БЫТОВОГО ИСПОЛЬЗОВАНИЯ, ЗАПРЕЩАЕТСЯ ИСПОЛЬЗОВАТЬ УСТРОЙСТВО В КОММЕРЧЕСКИХ ИЛИ ЛАБОРАТОРНЫХ ЦЕЛЯХ.**

### **ПЕРЕД ПЕРВЫМ ИСПОЛЬЗОВАНИЕМ**

**После транспортировки или хранения устройства при отрицательной температуре распакуйте его и подождите не менее 3 часов перед использованием.**

- Распакуйте утюг и удалите все упаковочные материалы и рекламные наклейки.
- При наличии защитной плёнки на подошве утюга, (11) снимите её.
- В резервуаре (10) могут быть остатки воды, так как на производстве утюг проходил контроль качества.
- Сохраните заводскую упаковку.
- Ознакомьтесь с мерами безопасности и рекомендациями по эксплуатации.
- Проверьте комплектацию.
- Осмотрите устройство на наличие повреждений при наличии повреждений не включайте его в электрическую сеть.
- Убедитесь, что указанные параметры напряжения питания устройства соответствуют параметрам электрической сети. При использовании устройства в электрической сети частотой 60 Гц, никаких дополнительных действий не требуется.

- Протрите корпус утюга и подошву (11) слегка влажной тканью, после чего вытрите насухо.


### ВЫБОР ВОДЫ

- Для наполнения резервуара утюга (10) используйте водопроводную воду.
- Функция Anti-calc смягчает воду для уменьшения минеральных отложений в паровой камере, но рекомендуется заливать в резервуар утюга воду, прошедшую дополнительную очистку бытовыми фильтрами.
- Если водопроводная вода жёсткая, рекомендуется смешивать её с дистиллированной водой в соотношении 1:1, при очень жёсткой воде смешивайте её с дистиллированной водой в соотношении 1:2 или используйте только дистиллированную воду.

### НАПОЛНЕНИЕ РЕЗЕРВУАРА ДЛЯ ВОДЫ

#### ВНИМАНИЕ!

Перед наполнением водой резервуара утюга (10) убедитесь, что утюг выключен, а вилка шнура питания не вставлена в электрическую розетку.

- Установите регулятор температуры (12) в положение «MIN», а регулятор постоянной подачи пара (3) – в положение «» (подача пара выключена).
- Откройте крышку заливочного отверстия (2).

- Используя мерный стаканчик (14), залейте воду в резервуар, закройте крышку (2).


#### Примечания:


– не наливайте воду в резервуар (10) выше отметки «MAX»;

– если во время глажения необходимо долить воду, отключите утюг и выньте вилку шнура питания из электрической розетки;

### ТЕМПЕРАТУРА ГЛАЖЕНИЯ

Перед первым использованием утюга рекомендуется протестировать нагретый утюг на кусочке ткани, чтобы убедиться в том, что подошва утюга (11) и резервуар для воды (10) – чистые.

- Перед глажением вещей смотрите на ярлык изделия, где указана рекомендуемая температура глажения.
- Если на ярлыке изделия есть символ «», то данное изделие гладить нельзя.
- Если на вещи отсутствует ярлык, но вы знаете тип материала, то для выбора температуры глажения смотрите таблицу.

Обозначения	Тип ткани (температура)
	не гладить

•	синтетика, нейлон, акрил, полиэстер (низкая температура)
••	шёлк/шерсть (средняя температура)
•••	хлопок (высокая температура)
<b>MAX</b>	лён (высокая температура)

- Таблица применима только для гладких материалов.
- Если материал гофрированный, рельефный и т.д., то лучше всего его гладить при низкой температуре.
- Сначала отсортируйте вещи по температуре глажения: синтетику – к синтетике, шерсть – к шерсти, хлопок – к хлопку.
- Подошва утюга (11) нагревается быстрее, чем остывает, поэтому надо начинать гладить с синтетических тканей, после этого повесить температуру и гладить шёлк, шерсть, изделия из хлопка и льна следует гладить в последнюю очередь.
- Если ткань имеет смешовой состав, то необходимо установить самую низкую температуру глажения, например, если ткань изделия состоит из полиэстера и хлопка, то установите температуру для синтетики «•».
- Если вы не можете определить состав ткани, то найдите на изделии место, которое не бросается в глаза при носке, и опытным путём выберите температуру глажения (всегда начинайте с самой

низкой температуры и постепенно повышайте её, пока не добьётесь желаемого результата).

- Вельветовые и другие ткани, которые могут лосниться, следует гладить с изнаночной стороны.

## СУХОЕ ГЛАЖЕНИЕ

- Поставьте утюг на основание (9) на ровную и устойчивую поверхность.
- Вставьте вилку шнура питания в электрическую розетку.
- Регулятор постоянной подачи пара (3) установите в положение «X» (подача пара выключена).
- Поворотом регулятора (12) установите температуру глажения в зависимости от типа ткани: «•», «••», «•••» или «MAX»; при этом загорится индикатор (6).
- Когда подошва утюга (11) нагреется до установленной температуры, индикатор (6) погаснет, можно приступать к глажению.
- После использования утюга установите регулятор температуры (12) в положение «MIN».
- Выньте вилку шнура питания из электрической розетки и дождитесь полного остывания подошвы (11) утюга.

**Примечание:** при первом включении возможно появление постороннего запаха, это нормальное явление.

## ПАРОВОЕ ГЛАЖЕНИЕ

В конструкции утюга есть противокапельный клапан, который перекрывает подачу воды при низкой тем-

пературе подошвы утюга (11), это предотвращает вытекание воды из отверстий подошвы утюга (11).

Паровое глажения возможно только при установке регулятора температуры (12) в зоне работы с паром «\*\*\*» или «MAX».

- Поставьте утюг на основание (9).
- Вставьте вилку сетевого шнура в электрическую розетку.
- Убедитесь в том, что в резервуаре (10) достаточно воды.
- Поворотом регулятора (12) установите требуемую температуру глажения в зоне работы с паром «\*\*\*» или «MAX», при этом загорится индикатор (6).
- Когда подошва утюга (11) нагреется до заданной температуры, индикатор (6) погаснет, можно приступить к глажению.
- Регулятором постоянной подачи пара (3) установите необходимую интенсивность парообразования, пар будет выходить из отверстий подошвы (11) только в горизонтальном положении утюга. Для прекращения подачи пара установите утюг в вертикальное положение или переведите регулятор (3) в положение «ЖК» (подача пара выключена).
- После использования утюга установите регулятор температуры (12) в положение «MIN», а регулятор постоянной подачи пара (3) – в положение «ЖК» (подача пара выключена).

- Выньте вилку шнура питания из электрической розетки и дождитесь полного остывания подошвы (11) утюга.

### **ВНИМАНИЕ!**

Если во время работы не происходит подача пара, проверьте правильность установки регулятора температуры (12), положение регулятора постоянной подачи пара (3) и наличие воды в резервуаре (10).

### **РАЗБРЫЗГИВАТЕЛЬ ВОДЫ**

- Убедитесь в том, что в резервуаре (10) достаточно воды.
- Для увлажнения ткани, нажимайте на клавишу разбрызгивателя воды (4).

### **ДОПОЛНИТЕЛЬНАЯ ПОДАЧА ПАРА**

- Дополнительная подача пара помогает при разглаживании складок и может быть использована только при высокотемпературном режиме глажения, установите регулятор температуры (12) в положения «\*\*\*» или «MAX».
- При нажатии клавиши дополнительной подачи пара (5), пар будет интенсивно выходить из отверстий подошвы утюга (11).

**Примечание:** во избежание вытекания капель воды из отверстий подошвы (11) нажимайте на клавишу дополнительной подачи пара (5) с интервалом в 4-5 секунд.

## ВЕРТИКАЛЬНОЕ ОТПАРИВАНИЕ

- Вертикальное отпаривание тканей или предметов интерьера может производиться только при высокотемпературном режиме глажения, установите регулятор температуры (12) в положения «\*\*\*» или «MAX»).
- Держите утюг вертикально на расстоянии 5-20 см от одежды или предметов интерьера и нажимайте на клавишу дополнительной подачи пара ( ) с интервалом в 4-5 секунд, пар будет интенсивно выходить из отверстий подошвы утюга (11).

## ВНИМАНИЕ!

- При отпаривании не прикасайтесь подошвой утюга (11) к материалу, чтобы избежать его оплавления.
- Запрещается отпаривать одежду на теле человека, пользуйтесь плечиками или вешалкой.
- Закончив гладить, выключите утюг, установив регулятор температуры (12) в положение «MIN», выньте вилку шнура питания из электрической розетки, дождитесь полного остывания подошвы утюга (11), откройте крышку заливочного отверстия (2), переверните утюг и слейте остатки воды.

## АВТОМАТИЧЕСКОЕ ОТКЛЮЧЕНИЕ

- Предусмотрены 2 режима автоматического отключения утюга.

1. Если утюг расположен горизонтально и неподвижен в течение 30 секунд, нагревательный элемент утюга отключится, индикатор (6) будет мигать.

2. Если поставить утюг в вертикальное положение на основание (9) и оставить его неподвижным в течение 8 минут, нагревательный элемент утюга отключится, индикатор (6) будет мигать.

- Для возобновления процесса глажения переведите утюг из горизонтального положения в вертикальное положение или наоборот, дождитесь нагрева подошвы утюга (11) и продолжайте процесс глажения.

## ОЧИСТКА ПАРОВОЙ КАМЕРЫ

- Рекомендуется регулярно проводить очистку паровой камеры утюга, особенно в регионах с «жёсткой» водопроводной водой.
- Установите регулятор постоянной подачи пара (3) в положение «Ж» (подача пара выключена).
- Откройте крышку (2), залейте воду до максимальной отметки «MAX», закройте крышку (2).
- Поставьте утюг на основание (9).
- Вставьте вилку шнура питания в электрическую розетку.
- Установите регулятор температуры (12) в положение «MAX», при этом загорится индикатор (6).
- Когда подошва утюга (11) нагреется до установленной температуры, а индикатор (6) погаснет, можно начинать очистку паровой камеры утюга.

- Выньте вилку шнура питания из электрической розетки.
- Расположите утюг горизонтально над раковиной, нажмите и удерживайте кнопку самоочистки (13) «Self Clean».
- Кипящая вода и пар вместе с накипью будут интенсивно выходить из отверстий подошвы утюга (11).
- Слегка покачивайте утюг вперёд-назад, пока вся вода не выйдет из резервуара (10), отпустите кнопку (13) «Self Clean».
- Поставьте утюг на основание (9) и дайте подошве утюга (11) полностью остыть.
- После остывания подошвы (11) протрите её кусочком сухой ткани.
- Перед тем, как убрать утюг на хранение, убедитесь, что в резервуаре (10) нет воды, а подошва утюга (11) сухая.

### УХОД И ЧИСТКА

- Перед чистой утюга убедитесь, что он выключен и остыл, а вилка шнура питания не вставлена в электрическую розетку.
- Протрите корпус утюга слегка влажной тканью, после этого вытрите его насухо.
- Минеральные отложения на подошве утюга (11) можно удалить тканью, смоченной столовым уксусом.
- После удаления минеральных отложений протрите поверхность подошвы (11) чистой сухой тканью.

- Для чистки подошвы (11) и корпуса утюга не используйте абразивные чистящие средства или растворители.
- Избегайте контакта подошвы утюга (11) с острыми металлическими предметами, а также с металлическими пуговицами, молниями и т.п.
- Запрещается погружать утюг, шнур питания, вилку шнура питания в воду или любые другие жидкости.

### ХРАНЕНИЕ

- Перед тем, как убрать утюг на хранение, слейте остатки воды из резервуара (10) и проведите чистку утюга.
- Установите регулятор температуры (12) в положение «MIN», а регулятор постоянной подачи пара (3) – в положение «X» (подача пара выключена).
- Намотайте шнур питания вокруг основания (9).
- Храните утюг в вертикальном положении в сухом прохладном месте, недоступном для детей и людей с ограниченными возможностями.

### КОМПЛЕКТ ПОСТАВКИ

1. Утюг – 1 шт.
2. Мерный стаканчик – 1 шт.
3. Инструкция – 1 шт.

## ТЕХНИЧЕСКИЕ ХАРАКТЕРИСТИКИ

- Электропитание: 220-240 В, ~ 50/60 Гц
- Номинальная потребляемая мощность: 3100 Вт
- Объем резервуара для воды: 265 мл
- Постоянная подача пара: до 35 г/мин
- Паровой удар: до 160 г/мин

## УТИЛИЗАЦИЯ



Чтобы предотвратить возможный вред окружающей среде или здоровью людей от неконтролируемой утилизации отходов, после окончания срока службы устройства или элементов питания (если входят в комплект), не выбрасывайте их вместе с обычными бытовыми отходами, передайте прибор и элементы питания в специализированные пункты для дальнейшей утилизации.

Отходы, образующиеся при утилизации изделий, подлежат обязательному сбору с последующей утилизацией в установленном порядке.

Для получения дополнительной информации об утилизации данного продукта обратитесь в местный муниципалитет, службу утилизации бытовых отходов или в магазин, где Вы приобрели данный продукт.

Производитель сохраняет за собой право изменять дизайн, конструкцию и технические характеристики, не влияющие на общие принципы работы устройства, без предварительного уведомления.

## Срок службы устройства – 3 года

Дата производства указана в серийном номере.

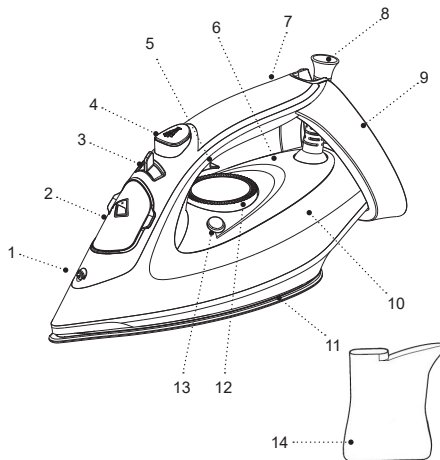
В случае обнаружения каких-либо неисправностей срочно необходимо обратиться в авторизованный сервисный центр.

## ҮТІК BR4012

Үтік киімді, төсек жаймасын үтіктеуге және маталарды вертикаль булауға арналған.

### СИПАТТАМАСЫ

1. Су шашыратқыш шүмек
2. Су құятын тесіктің қақпағы
3. Тұрақты бу жіберуді реттегіш
4. Су шашыратқыштың пернесі
5. Қосымша бу беру түймесі
6. Қыздырғыш элементті іске қосу/сөндіру/ үтікті автоматты сөндіру индикаторы
7. Қолсап
8. Желілік баудың қорғанысы
9. Үтіктің негізі
10. Суға арналған суқойма
11. Үтіктің табаны
12. Температураны реттегіш
13. Өзін-өзі тазалау режимі батырмасы «Self Clean»
14. Өлшейтін стакан



### НАЗАР АУДАРЫҢЫЗ!

Қосымша қорғаныс үшін қуаттандыру тізбегінде номиналдық іске қосылу тогы 30 мА аспайтын қорғаныс сөндіру құралын (ҚСҚ) орнатқан дұрыс, ҚСҚ-ны орнату үшін маманға жүгініңіз.



## **ҚАУІПСІЗДІК ШАРАЛАРЫ ЖӘНЕ ПАЙДАЛАНУҒА БЕРУ ЖӨНІНДЕГІ НҰСҚАУЛЫҚ**

**Үтікті пайдалану алдында пайдалануға беру жөніндегі нұсқаулықпен жіті танысыңыз, оқығаннан кейін болашақта пайдалану үшін сақтап қойыңыз.**

- Құралды осы нұсқаулықта баяндалғандай оның тікелей мақсаты бойынша ғана пайдаланыңыз.
- Үтікті дұрыс қолданбау оның бұзылуына, және пайдаланушыға немесе оның мүлкіне зиян келтіруге әкеп соғуы мүмкін және кепілдік жағдайы болып табылмайды.
- Заттаңбада көрсетілген құралдың жұмыс кернеуі пәтеріңіздегі электр желісінің кернеуіне сәйкес екеніне көз жеткізіңіз.
- Қуаттандыру бауы «еуроайырма» жабдықталған; оны жерге сенімді қосылған байланысы бар электрлік розеткаға қосыңыз.
- Өрт шығу қаупін болдырмау үшін құралды электр розеткасына қосу кезінде ауыстырғыштарды пайдаланбаңыз.
- Электр желісіндегі жүк шамадан асып кетпеуі үшін көп қуатты тұтынатын бірнеше құралды бір мезгілде қоспаңыз.
- Құрал корпусын, қуаттандыру бауын және қуаттандыру бауының айырын дымқыл қолмен ұстамаңыз.
- Қуаттандыру бауының үтіктейтін тақтада жатпауын, ыстық беттермен және жиһаздың үшкір шеттерімен жанаспауын қадағалаңыз.
- Құралды жылыту аспаптарының, ашық оттың немесе жылу көздерінің тікелей жанында пайдалануға болмайды.
- Құралды асүй раковинасына жақын, жуынатын бөлмеде, бассейндер немесе басқа да су толтырылған сыйымдылықтарға жақын жерде пайдалануға болмайды.
- Егер құрал суға құлап кетсе, дереу қуаттандыру бауының айырын электр розеткасынан суырыңыз, содан кейін ғана құралды судан алып шығуға болады. Құралды тексерту немесе жөндету үшін сервис орталығына жүгініңіз.
- Құралды аэрозольдар пайдаланылатын немесе шашырайтын жерлерде, сондай-ақ тез тұтанатын сұйықтықтарға жақын жерлерде пайдалануға тыйым салынады, мұндай сұйықтықтарды сақтау орындарында құралды пайдалануға тыйым салынады.
- Құралды үй-жайдан тыс жерде пайдалануға тыйым салынады.
- Құралды найзағай кезінде пайдалануға кеңес берілмейді.
- Құралды соққыдан, құлаудан, дірілден және басқа да механикалық әсерлерден сақтаңыз.
- Құралды қараусыз қалдырмаңыз. Жұмыс уақытындағы үзіліс кезінде үтікті (вертикаль күйінде) негізіне орнатыңыз.

- Қуаттандыру бауының айырын электрлік розеткаға салудың алдында температураны реттегішті минималдық күйге орнатып, буды тұрақты беруді өшіріңіз.
- Үтіккі пайдаланбаған кезде міндетті түрде үтіккі өшіріп, қуаттандыру бауының айырын электрлік розеткадан шығарып қойыңыз.
- Суқоймаға тұрмыстық сүзгіштен қосымша тазаланған суды құюға кеңес беріледі.
- Суға арналған резервуарға газдандырылған суды, хош истендіргіш сұйықтықтарды, сірке суы қышқылын, крахмал ерітіндісін, қақтарды жоюға арналған реагенттерді, химиялық заттарды ж.т.б. құюға тыйым салынады.
- Суқоймадағы судың деңгейі «МАХ» максималдық белгісінен жоғары болмауын бақылаңыз.

**НАЗАР АУДАРЫҢЫЗ!** Үтіккі беттері жұмыс уақытында қызады. Күйіп қалмау үшін терінің ашық жерлерін үтіккінің ыстық беттеріне немесе шығатын буға тигізбеңіз.

- Адам киіп тұрған киімді буландыруға тыйым салынады, киімді үнемі тек қана ілгішке іліңіз.
- Қуаттандыру бауын үтіккі тасымалдауға арналған қолсап ретінде пайдалануға тыйым салынады.
- Үтіккі пайдаланып болғаннан кейін немесе оны тазалаудың алдында құралды өшіріп, қуаттандыру бауының айырын шығарыңыз.
- Құралды электр желісінен ажыратқан кезде тек қуаттандыру бауының айырынан ұстаңыз және оны электр розеткасынан абайлап суырыңыз, қуаттан-

дыру бауынан тартпаңыз – бұл оның зақымдануына әкеліп, қысқа тұйықталуын тудыруы мүмкін.

- Электр тогының соғуына жол бермеу үшін үтіккі, қуаттандыру бауын және қуаттандыру бауының айырын суға немесе кез-келген басқа сұйықтықтарға салуға болмайды.
- Үтіккі жинап қоярдың алдында оны толық суытып, судың қалдығын төгіңіз.
- Құралды тұрақты түрде тазалап тұрыңыз.
- Балалардың қауіпсіздігі үшін орама ретінде пайдаланылатын полиэтилен пакеттерді қараусыз қалдырмаңыз.

**Назар аударыңыз!** Балаларға полиэтилен қаптармен немесе қаптамалық үлдірмен ойнауға рұқсат етпеңіз. **Тұншығу қаупі бар!**

- Құрал балалардың пайдалануына арналмаған.
- Құралды ойыншық ретінде пайдалануға жол бермеу үшін балаларды қадағалаңыз.
- Балаларға жұмыс істеп тұрған құралдың жұмыс бетін, құрал корпусын, қуаттандыру бауы немесе қуаттандыру бауының айырын ұстауға рұқсат етпеңіз.
- Егер жұмыс істеп тұрған құралдың маңында балалар немесе мүмкіндіктері шектеулі адамдар болса, онда ерекше назарда болыңыз.
- Жұмыс істеу уақытында және жұмыс циклдері арасындағы үзілістерде құралды балалардың қолы жетпейтін жерге орналастырыңыз.

- Дене, жүйке немесе сана мүмкіндіктері төмендетілген тұлғалардың (балаларды қоса алғанда) немесе оларда тәжірибесі немесе білімі болмаса, егер олар бақыланбаса немесе олардың қауіпсіздігі үшін жауап беретін тұлғамен аспапты пайдалану туралы нұсқаулықтар берілген болмаса, аспап олардың пайдалануына арналмаған.
- Қуаттандыру баудың оқшаулауының бүтіндігін жүйелі түрде тексеріп отырыңыз.
- Қуаттандыру бауы зақымданғанда қауіп тудырмау үшін оны дайындаушы, сервистік қызмет немесе баламалы білікті маман ауыстыруы тиіс.
- Құралды өздігіңізден жөндеуге тыйым салынады. Құралды өздігіңізден бөлшектемеңіз, кез-келген ақаулықтар пайда болғанда, сондай-ақ құрал құлаған болса оны электр желісінен ажыратыңыз және сервис орталығына жүгініңіз.
- Құралды зақымдамау үшін тек зауыт қаптамасында тасымалдаңыз.
- Құралды салқын және құрғақ, балалардың және мүмкіндігі шектеулі адамдардың қолы жетпейтін жерде сақтаңыз.

**ҚҰРАЛ ТЕК ТҰРМЫСТЫҚ ПАЙДАЛАНУҒА АРНАЛҒАН, ҚҰРАЛДЫ КОММЕРЦИЯЛЫҚ НЕМЕСЕ ЗЕРТХАНАЛЫҚ МАҚСАТТАРДА ПАЙДАЛАНУҒА ТЫЙЫМ САЛЫНАДЫ.**

## **АЛҒАШ РЕТ ПАЙДАЛУ АЛДЫНДА**

**Құралды кері температурада тасымалдағаннан немесе сақтағаннан кейін оны қаптамадан шығарыңыз және пайдаланудың алдында кемінде 3 сағат күтіңіз.**

- Үтікті қаптамасынан шығарыңыз және қаптама материалдары мен жарнамалық жапсырмаларды алып тастаңыз,
- Үтіктің табанында (11) қорғаныс үлдірі бар болса, оны шешіңіз.
- Суқоймада (10) судың қалдықтары болуы мүмкін, себебі өндірісте үтік сапа бақылауынан өтеді.
- Зауыттық қаптамасын сақтап қойыңыз.
- Қауіпсіздік шаралары мен пайдалануға беруге қатысты кеңестермен танысыңыз.
- Жинақталымын тексеріңіз.
- Құралды зақымдануының бар-жоқтығына тексеріп алыңыз, зақымдануы болған жағдайда оны электрлік желіге қосуға болмайды.
- Құралда көрсетілген қуаттандыру кернеуінің параметрлері электр желісінің параметрлеріне сәйкес келетініне көз жеткізіңіз. Құралды 60 Гц жиіліктегі электр желісінде пайдаланған кезде ешқандай қосымша әрекет қажет емес.
- Үтіктің корпусы мен табанын дымқыл (11)матамен сүртіңіз, содан соң құрғатып сүртіңіз.

### СУДЫ ТАҢДАУ

- Үтіктің суқоймасын (10) толтыру үшін суқұбырының суын пайдаланыңыз.
- Anti-calc функциясы бу камерасындағы минералдық шөгінділерді азайту үшін суды жұмсартады, бірақ үтіктің суқоймасына тұрмыстық сүзгіштерден қосымша тазалаудан өткен су құюға кеңес беріледі.
- Егер су құбырындағы су кермек болса, онда оны дистиллирленген сумен 1:1 арақатынасымен араластыруға кеңес беріледі, су өте кермек болса, оны дистиллирленген сумен 1:2 арақатынасымен араластырыңыз немесе тек дистиллирленген суды пайдаланыңыз.

### СУҒА АРНАЛҒАН СУҚОЙМАНЫ ТОЛТЫРУ

#### НАЗАР АУДАРЫҢЫЗ!

Үтіктің суқоймасына (10) су толтырардың алдында үтіктің өшірулі, ал қуаттандыру бауының айыры элет-крлік розеткаға салынбағандығына көз жеткізіңіз.


- Температура реттегішін (12) «MIN» күйіне, ал үнемі бу жіберу реттегішін (3) – «ЖК» (бу жіберу өшірулі) күйіне орнатыңыз.
- Су құятын тесіктің (2) қақпағын ашыңыз.
- Өлшейтін стаканды (14) пайдаланып, суқоймаға су құйыңыз, одан кейін қақпақты (2) жабыңыз.


#### Ескертпе:

- суқоймаға (10) суды «MAX» белгісінен асырып құймаңыз;
- егер үтіктеу кезінде су құю керек болса, онда үтікті өшіріңіз және қуаттандыру бауының айыры электрлік розеткадан ажыратыңыз.

#### ҮТІКТЕУ ТЕМПЕРАТУРАСЫ

Үтікті алғаш рет пайдалану алдында үтіктің табаны (11) және суға арналған сауыт (10) таза екеніне көз жеткізу үшін қызған үтікті матаның кішкентай бөлігінде үтіктеп тексеріңіз.

- Киімдерді үтіктемес бұрын бұйымның үтіктеу температурасы көрсетілген тілшелерге қараңыз.
- Егер бұйым заттаңбасында «» таңбасы болса, онда берілген бұйымды үтіктеуге болмайды.
- Егер үтіктеуге қатысты нұсқаулары бар тілше жоқ болса, бірақ сіз материалдың түрін ажырата алсаңыз, онда температураны таңдау үшін кестеге қараңыз.

Обозначения	Тип ткани (температура)
	не гладить
•	синтетика, нейлон, акрил, полиэстер (низкая температура)

••	шёлк/шерсть (средняя температура)
•••	хлопок (высокая температура)
<b>MAX</b>	лён (высокая температура)

- Бұл кесте тек тегіс материалдарға арналған.
- Егер материал гофрленген, кедір-бұдырлы ж.т.б. болса, онда оны төменгі температурада үтіктеген жөн.
- Алдымен киімдерді үтіктеу температурасы бойынша: синтетиканы – синтетикаға, жүнді – жүнге, мақтаны – мақтаға етіп, сұрыптап алыңыз.
- Үтіктің табаны (11) суығанға қарағанда тез қызады, сондықтан синтетикалық матасы бар киімдерді үтіктеп бастау керек, содан кейін температураны кәтеріп, жібек, жүн, мақта мен зығырдан тігілген бұйымдарды артынан үтіктеу керек.
- Егер мата аралас құрамнан тұратын болса, онда үтіктеудің ең төменгі температурасын белгілеу керек, егер бұйымның матасы полиэстерден және мақтадан жасалған болса, онда синтетикаға арналған «•» температураны белгілеу керек.
- Егер сіз матаның құрамын анықтай алмасаңыз, онда киімнің киген кезде көзге түсе қоймайтын жерін тауып алыңыз да, тәжірибелік жолмен үтіктеу температурасын таңдаңыз (үнемі ең төменгі температурадан бастаңыз да, қалаған нәтижеге қол жеткізбейінше оны көбейте беріңіз).
- Ши барқыт және жылтырауы мүмкін басқа маталарды ішкі жағына қарай аударып үтіктеу керек.

## ҚҰРҒАҚТАЙ ҮТІКТЕУ

- Үтікті тегіс және тұрақты беттегі негізіне (9) орнатыңыз.
- Қуаттандыру бауының айырын электр розеткасына салыңыз.
- Үнемі бу жіберу реттегішін (3) «ЖК» күйіне орнатыңыз (тұрақты бу жіберу сөндірулі).
- Реттегішті (12) бұрып, мата түріне байланысты үтіктеу температурасын белгілеңіз: «•», «••», «•••» немесе «MAX», сонда индикатор (6) жанады.
- Үтіктің табаны (11) белгіленген температураға дейін қызған кезде индикатор (6) өшеді, үтіктеуді бастауға болады.
- Үтікті пайдаланып болғаннан кейін температура реттегішін (12) «MIN» күйіне орнатыңыз.
- Қуаттандыру бауының айырын электрлік розеткадан шығарыңыз және үтіктің табаны (11) толық суығанға дейін күтіңіз.

**Ескертпе:** алғаш рет пайдалану кезінде бөтен иістер пайда болуы мүмкін, бұл қалыпты құбылыс.

## БУМЕН ҮТІКТЕУ

Үтіктің конструкциясында тамшыға қаршы қақпақша бар, ол үтік табанының (11) төмен температурасы кезінде су жіберуді тоқтатады, бұл үтік табанының (11) тесіктерінен судың ағуының алдын алады.

Бумен үтіктеу тек температура реттегіші (12) «•••» немесе «MAX» күйіне орнатылған кезде ғана мүмкін болады.

- Үтікті негізіне (9) қойыңыз.
- Желілік баудың айырын электр розеткасына салыңыз.
- Суқоймада (10) су жеткілікті екеніне көз жеткізіңіз.
- Реттегішті (12) бұрап, қажетті үтіктеу температурасын белгілеңіз
- бұмен жұмыс істеу аймағында «\*\*\*» немесе «MAX», сол кезде индикатор (6) жанады.
- Үтіктің табанының температурасы (11) белгіленген температураға дейін қызған кезде индикатор (6) сөніп қалады, осыдан кейін үтіктеуге кірісе беруге болады.
- Тұрақты бу беру реттегішімен (3) қажетті бу түзудің керекті қарқындылығын белгілеңіз, бу табанның тесіктерінен (11) тек үтіктің горизонталь күйінде ғана шығады. Бу беруді тоқтату үшін үтікті вертикаль күйге орнатыңыз немесе реттегішті (3) «Ж» күйіне ауыстырыңыз (бу жіберу сөндірулі).
- Үтікті пайдаланып болғаннан кейін температура реттегішін (12) «MIN» күйіне, ал тұрақты бу беру реттегішін (3) – «Ж» күйіне белгілеңіз (бу жіберу сөндірулі).
- Қуаттандыру бауының айырын электрлік розеткадан шығарыңыз және үтіктің табаны (11) толық суығанға дейін күтіңіз.

**НАЗАР АУДАРЫҢЫЗ!** Егер жұмыс істеу уақытында тұрақты бу беру жүзеге аспаса, температура реттегішінің (12) күйін, тұрақты бу беру реттегішінің (3) күйін және суқоймада (10) судың бар екендігін тексеріңіз.

## СУ ШАШЫРАТҚЫШЫ

- Суқоймада (10) су жеткілікті екеніне көз жеткізіңіз.
- Матаны ылғалдау үшін су шашыратқыш пернесін (4) басыңыз.

## ҚОСЫМША БУ ЖІБЕРУ

- Қосымша бу жіберу қыртыстарды тегістеу кезінде көмектеседі және үтіктеудің жоғары температуралық тәртібі кезінде ғана пайдаланыла алады, температураны реттегішті (12) «\*\*\*» немесе «MAX» күйіне белгілеңіз.
- Қосымша бу беру түймесін (5) басқан кезде бу үтік табанының (11) тесіктерінен қарқынды шыға бастайды.

**Ескертпе:** табан тесіктерінен (11) су тамшылары ағуына жол бермеу үшін 4-5 секунд интервал арқылы қосымша бу беру (5) пернесін басыңыз.

## ВЕРТИКАЛЬДІ БУЛАУ

- Маталарды немесе интерьер бұйымдарын вертикальді булауды тек үтіктеудің жоғары температуралық тәртібінде ғана жүргізуге болады, температураны реттегішті (12) «\*\*\*» немесе «MAX» күйіне белгілеңіз.
- Үтікті тігінен киімнен немесе интерьер бұйымынан 5-20 см қашықтықта ұстап тұрыңыз да, қосымша бу беру түймесін (5) 4-5 секунд аралықпен басыңыз, бу үтіктің табанынан (11) қарқынды шығатын болады.

### НАЗАР АУДАРЫҢЫЗ!

- Булау кезінде материалдың еріп кетуіне жол бермеу үшін үтіктің табанын (11) оған тигізбеңіз.
- Киімді адамның үстінде булауға тыйым салынады, ілгіш пайдалану керек.
- Үтіктеп болған соң, үтіккі өшіріңіз ол үшін температура реттегішін (12) «MIN» күйіне орнатыңыз, қуат сымының ашасын электр розеткасынан суырып алыңыз, үтік табаны (11) толығымен салқындағанша күтіңіз, құю саңылауының қақпағын (2) ашыңыз, үтіккі аударып, қалған суды төгіңіз.

### АВТОМАТТЫ ТҮРДЕ ӨШІРУ

- Үтіккі автоматты түрде өшірудің 2 тәртібі қарастырылған.
  1. Егер үтік горизонталь күйінде 30 секунд бойы қозғалмай тұрса, онда үтіккінің қыздырғыш элементі сөнеді, ал индикатор (6) жанып-сөніп тұрады.
  2. Егер үтік вертикаль күйінде негізге (9) қойып, оны 8 минут бойы қозғалыссыз қалдырса, онда үтіккінің қыздырғыш элементі сөнеді, ал индикатор (6) жанып-сөніп тұрады.
- Үтіктеу үдерісін қалпына келтіру үшін үтіккі горизонталь күйден вертикаль күйге аударыңыз немесе керісінше, үтіккінің табанының (11) қызғанын күтіп, үтіктеу үдерісін жалғастырыңыз.

### БУ КАМЕРАСЫН ТАЗАЛАУ

- Үтіккінің бу камерасын жүйелі түрде тазалауға кеңес беріледі, әсіресе «қатты» құбыр суы бар өңірлерде тазалауға ерекше көңіл аудару керек.
- Тұрақты бу беру реттігішін (3) «ЖК» (бу беру сөндірілген) күйіне белгілеңіз.
- Қақпақты ашыңыз (2), суды «MAX» максималдық белгісіне дейін құйып, қақпақты (2) жабыңыз.
- Үтіккі негізіне (9) қойыңыз.
- Қуаттандыру бауының айырын электр розеткасына салыңыз.
- Температура реттегішін (12) «MAX» күйіне белгілеңіз, осы кезде индикатор (6) жанады.
- Үтіккінің табаны (11) белгіленген температураға дейін қызған кезде индикатор (6) сөніп қалады, үтіккінің бу камерасын тазалауды бастауға болады.
- Қуаттандыру бауының айырын электрлік розеткадан ажыратыңыз.
- Үтіккі раковинаның үстіне көлденең қойыңыз, өзін-өзі тазалау батырмасын (13) «Self Clean» басып ұстап тұрыңыз.
- Қайнап жатқан су мен бу қақпен бірге үтік табанының (11) саңылауларынан сыртқа қарай қарқынды шыға бастайды.
- Сұйыққоймадан (10) барлық су шыққанша, үтіккі алға - артқа аздап шайқаңыз, батырманы (13) «Self Clean» босатыңыз.
- Үтіккі негізге (9) қойыңыз және үтіккінің табанын (11) толық суытып алыңыз.

- Табаны (11) суығаннан кейін оны құрғақ матаның кесігімен сүртіп алыңыз.
- Үтікті сақтауға алып қоярдың алдында суқоймада (10) судың жоқ екендігіне, ал үтіктің табаны (11) құрғақ екендігіне көз жеткізіңіз.

### ТАЗАЛАУ ЖӘНЕ КҮТІМ

- Үтікті тазалаудың алдында оның кшірілгендігіне және суығандығына, ал қуаттандыру бауының айыры электрлік розеткаға салынбағандығына көз жеткізіңіз.
- Үтіктің корпусын сәл дымқыл матамен сүртіп, содан кейін құрғатып сүртіңіз.
- Үтіктің табанындағы (11) минералдық шөгінділерді ас сірке суына салынған матамен кетіруге болады.
- Минералдық шөгінділерді жойғаннан кейін табанның (11) бетін құрғақ матамен сүртіңіз.
- Үтіктің табаны (11) мен корпусын тазалау үшін қажайтын тазартқыш құралдарды және еріткіштерді пайдаланбаңыз.
- Үтіктің табаны (11) үшкір металл заттармен, сонымен қатар металл түймелермен, найзағаймен ж.с.с байланыста болуына жол бермеңіз.
- Үтікті, қуаттандыру бауын және қуаттандыру бауының айырын суға немесе көз-келген басқа сұйықтықтарға салуға тыйым салынады.

### САҚТАУ

- Үтікті сақтауға қоярдың алдында суқоймадан (10) судың қалдықтарын тегіп, үтікті тазалап алыңыз.
- Температураны реттегішті (12) «MIN» күйіне белгілеңіз, ал тұрақты бу жіберу реттегішін (3) «Ж» күйіне (бу жіберу сөндірулі) орнатыңыз.
- Қуаттандыру бауын негізге (9) ораңыз.
- Үтікті вертикаль күйінде құрғақ салқын, балалардың және мүмкіндіктері шектеулі адамдардың қолы жетпейтін жерде сақтаңыз.

### ЖЕТКІЗІЛІМ ЖИЫНТЫҒЫ

1. Үтік – 1 дана.
2. Өлшейтін шағын стакан – 1 дана.
3. Нұсқаулық – 1 дана.

### ТЕХНИКАЛЫҚ СИПАТТАМАЛАРЫ

- Электр қуаттандыруы: 220-240 В, ~ 50/60 Гц
- Номиналдық тұтыну қуаттылығы: 3100 Вт
- Суға арналған суқойманың көлемі: 265 мл
- Үздіксіз бу: 35 г/мин дейін
- Бұдың шығуы: 160 г/мин



## КӘДЕГЕ АСЫРУ



Қалдықтардың бақыланбай кәдеге асыруынан қоршаған ортаға немесе адамдардың денсаулығына зиян келтірмеу үшін, құралдың немесе қуаттандыру элементтерінің (егер жинақталымға кірсе) қызмет ету мерзімі аяқталғаннан

кейін оларды әдеттегі тұрмыстық қалдықтармен бірге тастамаңыз, аспапты және қуаттандыру элементтерін одан әрі кәдеге асыру үшін арнайы пункттерге жіберіңіз.

Бұйымдарды кәдеге асыру кезінде пайда болатын қалдықтар белгіленген тәртіп бойынша келесі пайдаға асырылатын тәртіппен міндетті түрде жинауға жатады.

Берілген өнімді кәдеге асыру туралы қосымша ақпаратты алу үшін жергілікті муниципалитетке, тұрмыстық қалдықтарды пайдаға асыру қызметіне немесе осы өнімді сатып алған дүкенге жүгініңіз.

Өндіруші алдын-ала ескертусіз, құралдың дизайнын, конструкциясы мен оның жалпы жұмыс ұстанымдарына әсер етпейтін техникалық сипаттамаларын өзгерту құқығын өзіне қалдырады.

### Құралдың қызмет ету мерзімі – 3 жыл

Өндірілген күні сериялық нөмірде көрсетілген.

Қандай да бір ақаулықтар табылған жағдайда дереу авторландырылған сервистік орталыққа жүгіну керек.



Hergestellt für «Ruste GmbH»,  
Berggasse 18/18, 1090 Wien,  
Österreich

Produced for «Ruste GmbH»,  
Berggasse 18/18, 1090 Vienna, Austria

Изготовлено по заказу Русте Гмбх,  
Бергассе 18/18, 1090 Вена, Австрия

Уполномоченное изготовителем  
лицо: ООО «Грантэл»  
143912, МО, г. Балашиха,  
ш. Энтузиастов, вл. 1А  
т.: +7(495) 297-50-20,  
e-mail: info@brayer.su

Made in China/Произведено в Китае



brayer.ru

