

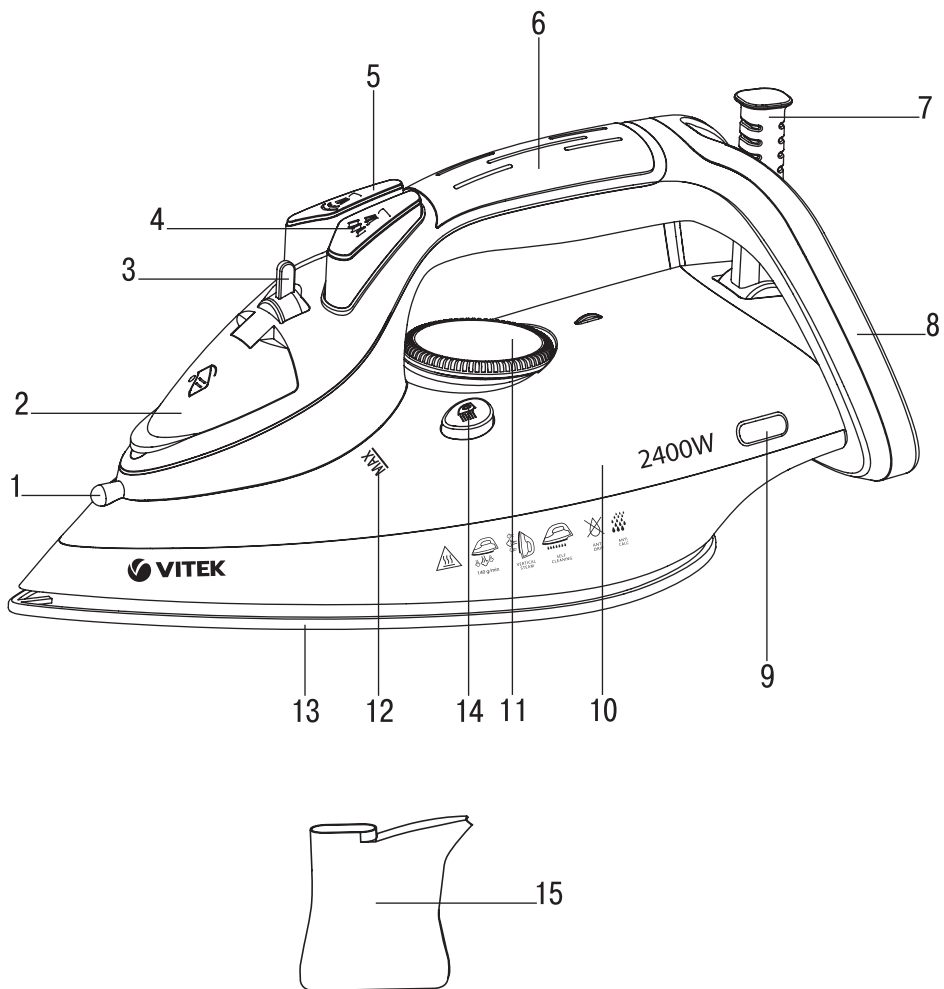
**VT-1246 VT**

Iron

Утюг

# Инструкция по эксплуатации

<b>GB</b> Manual instruction	<b>3</b>
<b>RUS</b> Инструкция по эксплуатации	<b>8</b>
<b>KZ</b> Пайдалану нұсқасы	<b>14</b>
<b>UA</b> Інструкція з експлуатації	<b>19</b>



**IRON VT-1246 VT**

The iron is intended for ironing clothes and bedding and for vertical steaming of fabrics.

**DESCRIPTION**

1. Water spray
2. Water inlet lid
3. Continuous steam supply knob
4. Water spray button
5. Burst of steam button
6. Handle
7. Power cord protection
8. Base of the iron
9. On/off indicator of the heating element
10. Water tank
11. Temperature control knob
12. "MAX" water level mark
13. Soleplate
14. Self-cleaning button
15. Beaker

**SAFETY MEASURES****Attention!**

For additional protection it is reasonable to install a residual current device (RCD) with nominal operation current not exceeding 30 mA. To install RCD contact a specialist.


**SAFETY MEASURES**

Before using the unit, read this instruction manual carefully and keep it for future reference.

Use the unit for its intended purpose only, as specified in this manual. Mishandling the unit can lead to its breakage and cause harm to the user or damage to his/her property.

- Before switching the unit on, make sure that your home mains voltage corresponds to the iron operating voltage.
- The power cord is equipped with a "europlug"; plug it into the socket with a reliable grounding contact.
- To avoid fire, do not use adapters for plugging the unit in.
- To avoid mains overloading, do not switch on several electrical appliances with high power consumption at a time.
- Do not use the iron outdoors and in rooms with high humidity.
- Place the iron on a flat stable surface or use a stable ironing board.
- **Attention!** The surfaces of the iron get hot during operation. Keep open skin areas away from

iron hot surfaces or outgoing steam to avoid burns.

- Do not fill the water tank with scented liquids, vinegar, starch solution, descaling reagents, chemicals etc.
  - Provide that the power cord is not on the ironing board and make sure that it does not touch hot surfaces or sharp edges.
  - Do not leave the unit unattended. During breaks in operation put the iron on the base (in vertical position).
  - Before plugging/unplugging the iron, set the temperature control knob to the minimum position and switch the continuous steam supply off.
  - Always unplug the iron when you are not using it. Always take the power plug out of the mains socket before filling the water tank.
  - The water inlet lid should be closed during ironing.
  - To unplug the iron, always hold the power plug; do not pull the power cord.
  - To avoid electric shock, do not immerse the iron, the power cord and the plug into water or any other liquids.
  - Before taking the iron away, let it cool down completely and pour out the remaining water.
  - Pour out water from the water tank only after unplugging the iron.
  - Never leave the plugged in iron unattended.
  - **Clean the unit regularly.**
  - **Do not touch the unit body and the power plug with wet hands.**
  - Do not allow children to touch the unit body and the power cord during the iron operation.
  - Do not leave children unattended to prevent using the unit as a toy.
  - For children safety reasons do not leave polyethylene bags used as packaging unattended.
- Attention!** Do not allow children to play with polyethylene bags or packaging film. **Danger of suffocation!**
- Do not use the iron after dropping, in case of visible damage or leakage.
  - During ironing and after it, do not touch the unit surface marked with the  symbol. Danger of burns!
  - Do not attempt to repair the unit. Do not disassemble the unit by yourself, if any malfunction is detected or after it was dropped, unplug the unit and apply to any authorized service center from the contact address list given in the warranty certificate and on the website [www.vitek.ru](http://www.vitek.ru).
  - Transport the unit in the original package only.

# ENGLISH

- Keep the unit out of reach of children and disabled persons.
- This unit is not intended for usage by children under 8 years of age. Place the unit out of reach of children under 8 years of age during the iron operation and cooling down.
- This unit is not intended for usage by people (including children over 8) with physical, neural and mental disorders or with insufficient experience or knowledge. Such persons may use this unit only if they are under supervision of a person who is responsible for their safety and if they are given all the necessary and understandable instructions concerning the safe usage of the unit and information about danger that can be caused by its improper usage.
- There may be water residue in the tank, this is normal, as the iron has undergone factory quality control.

THE UNIT IS INTENDED FOR HOUSEHOLD USE ONLY, ITS COMMERCIAL USAGE AND USAGE IN PRODUCTION AREAS AND WORK SPACES IS PROHIBITED.

## BEFORE THE THE FIRST USE

**After unit transportation or storage under cold (winter) conditions, it is necessary to keep it for at least 3 hours at room temperature before switching on.**

- Unpack the iron; remove the protection from the iron soleplate (13), if any.
- Check the unit for damages; do not use the iron in case of damages.
- Before switching the unit on, make sure that your home mains voltage corresponds to the iron operating voltage.
- Avoid contact of the iron soleplate with sharp objects.
- **There may be water residue in the tank, this is normal, as the iron has undergone factory quality control.**

**Note: While the first switching on the heating element of the iron burns, therefore occurrence of foreign smell and a small amount of smoke is possible, it is normal.**

## WATER SELECTION

Use tap water to fill the tank. If tap water is hard, it is recommended to mix it with distilled water in proportion 1:1, if tap water is too hard, mix it with

distilled water in proportion 1:2 or use distilled water only.

### Note

**Do not fill the water tank (10) with scented liquids, vinegar, starch solution, descaling reagents, chemical agents etc.**

## FILLING THE WATER TANK

Before filling the iron with water make sure that it is unplugged.

- Set the temperature control knob (11) to the «OFF» position and the continuous steam supply knob (3) to the leftmost position – steam supply is off.
- Open the water inlet lid (2).
- Pour water into the water tank (10) using the beaker (15) and then close the lid (2) tight.

### Notes

- **Do not exceed the “MAX” mark.**
- **If you need to refill water during ironing, switch the iron off and unplug it.**
- **After you finish ironing, switch the iron off, wait until it cools down completely, then open the water inlet lid (2), turn the iron over and drain the remaining water.**

## IRONING TEMPERATURE

Before operation test the heated iron on a piece of cloth to be sure that the iron soleplate (13) and the water tank (10) are clean.

- Always check the recommended ironing temperature indicated on the tag before ironing.
- If there is no tag with recommendations for ironing, but you know the type of fabric, use the following table to determine the proper temperature.

Signs	Fabric type (temperature)
	do not iron
•	synthetics, nylon, acryl, polyester <b>(low temperature)</b>
••	silk/wool <b>(medium temperature)</b>
•••	cotton/linen <b>(high temperature)</b>

- This table is only valid for smooth materials. Fabrics of other types (crimped, raised etc.) are best ironed at low temperature.
- Sort items by ironing temperature first: synthetics to synthetics, wool to wool, cotton to cotton etc.
- The iron heats up faster than it cools down. For this reason it is recommended to begin ironing

at low temperature (for instance, synthetic fabrics). After that, start ironing at higher temperatures (silk/wool). Cotton and linen items should be ironed last.

- If an item is made of mixed fabrics, the iron should be set to the lowest temperature (for instance, if an item is 60% polyester and 40% cotton, it should be ironed at temperature used for polyester ironing «•»).
- If you cannot define the fabric structure, find a spot that is inconspicuous when the item is being worn and select the ironing temperature experimentally (always start with the lowest temperature and raise it gradually until you get the desired result).
- Corduroy and other fabrics that become glossy quickly should be ironed strictly in one direction (in the direction of the pile) with slight pressure.
- To avoid appearance of glossy spots on synthetic and silk fabrics, iron them from backside.

## SETTING THE IRONING TEMPERATURE

- Place the iron on its base (8).
- Insert the power plug into the mains socket.
- Turn the control knob (11) to set the required ironing temperature: «•», «••», «•••» or «MAX», depending on the type of fabric, the indicator (9) will light up.
- Once the soleplate (13) reaches the set temperature, the indicator (9) will go out and you can start ironing.

### Notes:

- If you are ironing at high temperature and you need to switch to lower temperature, it is recommended to wait until the soleplate temperature decreases and resume ironing only after the indicator (9) lights up.
- While steam ironing, set the ironing temperature «•••» or «MAX», the steam ironing section is marked with corresponding symbols on the temperature control knob (11).

## WATER SPRAY

- You can dampen the fabric by pressing the spray button (4) several times.
- Make sure that there is enough water in the water tank (10).

## DRY IRONING

- Place the iron on its base (8).
- Insert the power plug into the mains socket.

- Set the continuous steam supply knob (3) to the leftmost position – continuous steam supply is off.
- Turn the control knob (11) to set the required ironing temperature: «•», «••», «•••» or «MAX», depending on the type of fabric, the indicator (9) will light up.
- When the soleplate (13) reaches the set temperature, the indicator (9) will go out, you can start ironing.
- After you finish ironing, set the temperature control knob (11) to the “OFF” position.
- Pull the power plug out of the mains socket and let the iron cool down completely.

## STEAM IRONING

While steam ironing, set the ironing temperature «MAX» or «•••», the steam ironing section is marked with corresponding symbols on the temperature control knob (11). The iron is provided with an anti-drip valve that stops water supply if the soleplate temperature is too low; this prevents dripping from the soleplate (13) openings. During heating and cooling of the iron soleplate (13), you will hear characteristic clicks of the anti-drip valve opening/closing, which indicates its normal operation.

- Place the iron on its base (8).
- Set the continuous steam supply knob (3) to the leftmost position - continuous steam supply is off.
- Insert the power plug into the mains socket.
- Make sure that there is enough water in the water tank (10).
- Turn the control knob (11) to set the required ironing temperature: «•••» or «MAX»; the indicator (9) will light up.
- Once the temperature of the soleplate (13) reaches the set point, the indicator (9) will go out and you can start ironing.
- Turn the continuous steam supply knob (3) to set the steam generation rate, steam will start going out from the soleplate (13) openings. The knob (3) has two fixed positions which allow controlling steam supply intensity. Move the knob (3) to the right to switch the steam supply on.
- After you finish ironing, set the temperature control knob (11) to the “OFF” position, and the continuous steam supply knob (3) to the leftmost position – steam supply is off.
- Pull the power plug out of the mains socket and let the iron cool down completely.

# ENGLISH

## ATTENTION!

If steam is not supplied constantly during the operation, check whether the temperature control knob (11) is set properly and whether there is water in the water tank (10).

## BURST OF STEAM

The burst of steam function is useful for ironing folds and can only be used at high ironing temperatures (when the temperature control knob (11) is set to the position «•••» or «MAX»).

- When pressing the burst of steam button (5) steam will go out of the iron soleplate more intensively.

### Note:

*To avoid water leakage from steam openings, press the burst of steam button (5) with a 4-5 sec. interval. To avoid dripping, do not hold the burst of steam button (5) longer than 5 seconds.*

## VERTICAL STEAM

Vertical steam function can be used only at high ironing temperatures (that is, when the temperature control knob (11) is set to the position «•••» or «MAX»).

Hold the iron vertically at the distance of 10-30 cm from the clothes and press the burst of steam button (5) with a 4–5 second interval, steam will be released from the soleplate (13) intensively.

### Important information

Vertical steam is not recommended for synthetic fabrics.

- To avoid fabric melting, do not touch it with the iron soleplate while steaming.
- Never steam clothes on a person as the steam temperature is very high, use clothes hanger or a stand.
- After you finish ironing, switch the iron off, wait until it cools down completely, then open the water inlet lid (2), turn the iron over and drain the remaining water.

## STEAM CHAMBER CLEANING

To prolong service life of the iron, we recommend cleaning the steam chamber regularly, especially in regions with hard tap water.

- Set the continuous steam supply knob (3) to the leftmost position - continuous steam supply is off.
- Fill the water tank (10) until it's filled half way.
- Place the iron on its base (8).
- Insert the power plug into the mains socket.

- Set the control knob (11) to the maximum soleplate temperature «•••» or «MAX», the indicator (9) will light up.
- When the soleplate (13) reaches the desired temperature value, the indicator (9) will go out, you can start cleaning.
- Set the temperature control knob (11) to the «OFF» position to switch off the iron.
- Unplug the unit.
- Hold the iron above the sink horizontally, press and hold down the self-clean button (14).
- Boiling water and steam with scale will be released from the iron soleplate (13) openings.
- Slightly sway the iron back and forth, until water goes out of the water tank (10) completely.
- Place the iron on the base (8) and let it cool down completely.
- Once the soleplate (13) cools down completely, wipe it with a dry cloth.
- Before you take the iron away for storage, make sure that there is no water in the water tank (10) and that the iron soleplate (13) is completely dry.

## CLEANING AND CARE

- Before cleaning the iron, make sure that it is unplugged and has cooled down completely.
- Clean the iron body with a slightly damp cloth and then wipe it dry.
- Scale on the iron soleplate can be removed with a cloth soaked in vinegar-water solution.
- After removing scale, polish the soleplate surface with a dry cloth.
- Do not use abrasive substances to clean the iron soleplate and body.
- Avoid contact of the iron soleplate with sharp metal objects.

## STORAGE

- Turn the temperature control knob (11) counterclockwise to the «OFF» position, and set the continuous steam supply knob (3) to the leftmost position – steam supply is off.
- Unplug the unit.
- Open the water inlet lid (2), turn the iron over and drain any remaining water from the water tank (10).
- Close the lid (2).
- Put the iron vertically and let it cool down completely.
- Store the iron vertically in a dry cool place out of reach of children.

## DELIVERY SET

Iron – 1 pc.  
Beaker – 1 pc.  
Instruction manual – 1 pc.

## TECHNICAL SPECIFICATIONS

Power supply: 220-240 V ~ 50 Hz  
Power consumption: 2000-2400 W

## RECYCLING



For environment protection do not throw out the unit and the batteries with usual household waste after its service life expiration; apply to the specialized center for further recycling.

The waste generated during the disposal of the unit is subject to mandatory collection and consequent disposal in the prescribed manner.

For further information about recycling of this product apply to a local municipal administration, a disposal service or to the shop where you purchased this product.

*The manufacturer preserves the right to change the design and the specifications of the unit without a preliminary notification.*

**Unit operating life is 3 years**

## Guarantee

Details regarding guarantee conditions can be obtained from the dealer from whom the appliance was purchased. The bill of sale or receipt must be produced when making any claim under the terms of this guarantee.



*This product conforms to the EMC Directive 2014/30/EU and to the Low Voltage Directive 2014/35/EU.*

## УТЮГ VT-1246 VT

Утюг предназначен для глажения одежды, постельного белья и вертикального отпаривания тканей.

### ОПИСАНИЕ

1. Разбрызгиватель воды
2. Крышка заливочного отверстия
3. Регулятор постоянной подачи пара
4. Кнопка разбрызгивателя воды
5. Кнопка дополнительной подачи пара
6. Ручка
7. Защита сетевого шнура
8. Основание утюга
9. Индикатор включения/выключения нагревательного элемента
10. Резервуар для воды
11. Регулятор температуры
12. Указатель максимального уровня воды
13. Подошва утюга
14. Кнопка самоочистки
15. Мерный стаканчик

### МЕРЫ БЕЗОПАСНОСТИ

#### Внимание!

Для дополнительной защиты целесообразно установить в цепи питания устройство защитного отключения (УЗО) с номинальным током срабатывания, не превышающим 30 мА, для установки УЗО обратитесь к специалисту.

### МЕРЫ БЕЗОПАСНОСТИ

Перед началом эксплуатации электроприбора внимательно прочитайте настоящее руководство по эксплуатации и сохраните его для использования в качестве справочного материала.

Используйте устройство только по его прямому назначению, как изложено в данном руководстве. Неправильное обращение с устройством может привести к его поломке, причинению вреда пользователю или его имуществу.

- Перед включением убедитесь, что напряжение в электрической сети соответствует рабочему напряжению утюга.
- Сетевой шнур снабжён «евровилкой»; включайте её в электрическую розетку, имеющую надёжный контакт заземления.
- Во избежание риска возникновения пожара не используйте переходники при подключении прибора к электрической розетке.

- Во избежание перегрузки электрической сети не включайте одновременно несколько устройств с большой потребляемой мощностью.
- Не пользуйтесь утюгом вне помещений, а также в помещениях с повышенной влажностью.
- Ставьте утюг на ровную устойчивую поверхность или пользуйтесь устойчивой гладильной доской.
- **Внимание!** Поверхности утюга нагреваются во время работы. Не допускайте контакта открытых участков кожи с горячими поверхностями утюга или выходящим паром, чтобы избежать ожогов.
- Запрещается в резервуар для воды заливать ароматизирующие жидкости, уксус, раствор крахмала, реагенты для удаления накипи, химические вещества и т.п.
- Следите, чтобы сетевой шнур не находился на гладильной доске, а также не касался горячих поверхностей и острых комков.
- Не оставляйте устройство без присмотра. Во время перерывов в работе устанавливайте утюг на основание (в вертикальное положение).
- Перед отключением/подключением утюга к электрической сети установите регулятор температуры в минимальное положение и отключите постоянную подачу пара.
- Обязательно отключайте утюг от электрической сети, если вы им не пользуетесь. Всякий раз перед наполнением резервуара водой обязательно вынимайте вилку сетевого шнура из электрической розетки.
- Крышка заливочного отверстия должна быть закрыта во время глажения.
- При отключении утюга от электрической сети обязательно держитесь за сетевую вилку, никогда не тяните за сетевой шнур.
- Чтобы избежать поражения электрическим током, не погружайте утюг, сетевой шнур и вилку сетевого шнура в воду или в любые другие жидкости.
- Прежде чем убрать утюг, дайте ему полностью остыть и слейте остатки воды.
- Сливайте воду из резервуара только после отключения утюга от электрической сети.
- Не оставляйте подключённый к электрической сети утюг без присмотра.
- **Регулярно проводите чистку устройства.**



- **Не прикасайтесь к корпусу устройства и к вилке сетевого шнура мокрыми руками.**
- Не разрешайте детям прикасаться к корпусу устройства и к сетевому шнуру во время работы утюга.
- Осуществляйте надзор за детьми, чтобы не допустить использования устройства в качестве игрушки.
- Из соображений безопасности детей не оставляйте полиэтиленовые пакеты, используемые в качестве упаковки, без присмотра.

**Внимание!** Не разрешайте детям играть с полиэтиленовыми пакетами или упаковочной плёнкой. **Опасность удушья!**

- Не пользуйтесь утюгом после его падения, при наличии видимых повреждений или в случае протекания.
- Во время глажения и после него запрещается дотрагиваться до поверхности устройства, отмеченной символом . Риск ожога!
- Запрещается самостоятельно ремонтировать прибор. Не разбирайте прибор самостоятельно, при возникновении любых неисправностей, а также после падения устройства выключите прибор из электрической розетки и обратитесь в любой авторизованный (уполномоченный) сервисный центр по контактному адресу, указанным в гарантийном талоне и на сайте [www.vitek.ru](http://www.vitek.ru).
- Перевозите устройство только в заводской упаковке.
- Храните устройство в местах, недоступных для детей и людей с ограниченными возможностями.
- Данное устройство не предназначено для использования детьми младше 8 лет. Во время работы и остывания утюга размещайте устройство в местах, недоступных для детей младше 8 лет.
- Данное устройство не предназначено для использования людьми (включая детей старше 8 лет) с физическими, нервными, психическими нарушениями или без достаточного опыта и знаний. Использование устройства такими лицами допускается лишь в том случае, если они находятся под присмотром лица, отвечающего за их безопасность, при условии, что им были даны соответствующие и понятные инструкции о безопасном пользовании устройством и

тех опасностях, которые могут возникать при его неправильном использовании.

- В резервуаре могут находиться остатки воды – это нормальное явление, так как на производстве утюг проходил контроль качества.

**УСТРОЙСТВО ПРЕДНАЗНАЧЕНО ТОЛЬКО ДЛЯ БЫТОВОГО ИСПОЛЬЗОВАНИЯ В ЖИЛЫХ ПОМЕЩЕНИЯХ, ЗАПРЕЩАЕТСЯ КОММЕРЧЕСКОЕ ИСПОЛЬЗОВАНИЕ И ИСПОЛЬЗОВАНИЕ УСТРОЙСТВА В ПРОИЗВОДСТВЕННЫХ ЗОНАХ И РАБОЧИХ ПОМЕЩЕНИЯХ.**

## ПЕРЕД ПЕРВЫМ ИСПОЛЬЗОВАНИЕМ

**После транспортировки или хранения устройства в холодных (зимних) условиях необходимо выдержать его при комнатной температуре не менее 3 часов.**

- Извлеките утюг из упаковки, при наличии защиты на подошве (13) удалите защиту.
- Проверьте целостность устройства, при наличии повреждений не пользуйтесь утюгом.
- Перед включением убедитесь в том, что напряжение в электрической сети соответствует рабочему напряжению утюга.
- Не допускайте контакта подошвы утюга с острыми предметами.
- **В резервуаре могут находиться остатки воды – это нормальное явление, так как на производстве утюг проходил контроль качества.**

**Примечание:** При первом включении нагревательный элемент утюга обгорает, поэтому возможно появление постороннего запаха и небольшого количества дыма, это нормальное явление.

## ВЫБОР ВОДЫ

Для наполнения резервуара используйте водопроводную воду. Если водопроводная вода жёсткая, рекомендуется смешивать её с дистиллированной водой в соотношении 1:1, при очень жёсткой воде смешивайте её с дистиллированной водой в соотношении 1:2 или используйте только дистиллированную воду.

### Примечание

**Запрещается заливать в резервуар для воды (10) ароматизирующие жидкости, уксус, раствор крахмала, реагенты для удаления накипи, химические вещества и т.п.**

# РУССКИЙ

## НАПОЛНЕНИЕ РЕЗЕРВУАРА ДЛЯ ВОДЫ

Прежде чем залить воду в утюг, убедитесь, что он отключён от электрической сети.

- Установите регулятор температуры (11) в положение «OFF», а регулятор постоянной подачи пара (3) переведите в крайнее левое положение – подача пара выключена.
- Откройте крышку заливочного отверстия (2).
- Используя мерный стаканчик (15), залейте воду в резервуар для воды (10), затем плотно закройте крышку (2).


### Примечания

- **Не наливайте воду выше отметки «MAX».**
- **Если во время глажения необходимо долить воду, то отключите утюг и извлеките сетевую вилку из электрической розетки.**
- **После того как вы закончите гладить, выключите утюг, дождитесь его полного остывания, затем откройте крышку заливочного отверстия (2), переверните утюг и слейте остатки воды.**

## ТЕМПЕРАТУРА ГЛАЖЕНИЯ

Перед началом эксплуатации протестируйте нагретый утюг на кусочке ткани, чтобы убедиться в том, что подошва утюга (13) и резервуар для воды (10) чистые.

- Всякий раз перед глажением вещей смотрите на ярлык изделия, где указана рекомендуемая температура глажения.
- Если ярлык с указаниями по глажению отсутствует, но вы знаете тип материала, то для выбора температуры глажения воспользуйтесь следующей таблицей.

Обозначения	Тип ткани (температура)
	не гладить
•	синтетика, нейлон, акрил, полиэстер <b>(низкая температура)</b>
••	шёлк/шерсть <b>(средняя температура)</b>
•••	хлопок/лён <b>(высокая температура)</b>

- Таблица применима только для гладких материалов. Если материал другого типа

(гофрированный, рельефный и т.д.), то лучше всего его гладить при низкой температуре.

- Сначала отсортируйте вещи по температуре глажения: синтетику – к синтетике, шерсть – к шерсти, хлопок – к хлопку и т.д.
- Утюг нагревается быстрее, чем остывает. Поэтому сначала рекомендуется гладить вещи, которым требуется глажение при низкой температуре (например, синтетические ткани). После этого приступайте к глажению при более высоких температурах (шёлк, шерсть). Изделия из хлопка и льна следует гладить в последнюю очередь.
- Если в состав ткани входят смесовые волокна, то необходимо установить температуру глажения самую низкую (например, если изделие состоит на 60% из полиэстера и на 40% из хлопка, то его следует гладить при температуре, подходящей для полиэстера «•»).
- Если вы не можете определить состав ткани, то найдите на изделии место, которое не бросается в глаза при носке, и опытным путём выберите температуру глажения (всегда начинайте с самой низкой температуры и постепенно повышайте её, пока не добьётесь желаемого результата).
- Вельветовые и другие ткани, которые быстро начинают лосниться, следует гладить строго в одном направлении (в направлении ворса) с небольшим нажимом.
- Чтобы избежать появления лоснящихся пятен на изделиях из синтетических и шёлковых тканей, старайтесь гладить их с изнаночной стороны.

## УСТАНОВКА ТЕМПЕРАТУРЫ ГЛАЖЕНИЯ

- Поставьте утюг на основание (8).
- Вставьте вилку сетевого шнура в электрическую розетку.
- Поворотом регулятора (11) установите требуемую температуру глажения: «•», «••», «•••» или «MAX» (в зависимости от типа ткани), при этом загорится индикатор (9).
- Когда подошва утюга (13) нагреется до установленной температуры, индикатор (9) погаснет, теперь можно приступать к глажению.

## Примечания:

- Если вы гладили при высокой температуре, при этом возникла необходимость перейти на низкую температуру, то рекомендуется дождаться понижения температуры подошвы и начинать гладить только после того, как загорится индикатор (9)
- При паровом глажении необходимо устанавливать температуру глажения «•••» или «**МАХ**», на регуляторе температуры (11) сектор работы с паром отмечен соответствующим символом.

## РАЗБРЫЗГИВАТЕЛЬ ВОДЫ

- Вы можете увлажнить ткани, нажав несколько раз на кнопку разбрызгивателя (4).
- Убедитесь, что в резервуаре (10) достаточно воды.

## СУХОЕ ГЛАЖЕНИЕ

- Поставьте утюг на основание (8).
- Вставьте вилку сетевого шнура в электрическую розетку.
- Регулятор постоянной подачи пара (3) переведите в крайнее левое положение – подача пара выключена.
- Поворотом регулятора (11) установите требуемую температуру глажения: «•», «••» «•••» или «**МАХ**» (в зависимости от типа ткани), при этом загорится индикатор (9).
- Когда подошва утюга (13) достигнет установленной температуры, индикатор (9) погаснет, можно приступать к глажению.
- После использования утюга установите регулятор температуры (11) в положение «**OFF**».
- Извлеките вилку сетевого шнура из электрической розетки и дождитесь полного остывания утюга.

## ПАРОВОЕ ГЛАЖЕНИЕ

При паровом глажении необходимо устанавливать температуру глажения «**МАХ**» или «•••», на регуляторе температуры (11) сектор работы с паром отмечен соответствующим символом. Утюг снабжён противокапельным клапаном, который закрывает подачу воды; при слишком низкой температуре подошвы утюга это предотвращает появление капель из отверстий подошвы утюга (13). При нагревании и остывании подошвы утюга (13), вы услышите характерные щелчки открывания и

закрывания противокапельного клапана, что свидетельствует о его нормальной работе.

- Поставьте утюг на основание (8).
- Регулятор постоянной подачи пара (3) переведите в крайнее левое положение – подача пара выключена.
- Вставьте вилку сетевого шнура в электрическую розетку.
- Убедитесь, что в резервуаре (10) достаточно воды.
- Поворотом регулятора (11) установите требуемую температуру глажения: «**МАХ**» или «•••», при этом загорится индикатор (9).
- Когда подошва утюга (13) нагреется до установленной температуры, индикатор (9) погаснет, можно приступать к глажению.
- Регулятором постоянной подачи пара (3) установите необходимую интенсивность парообразования, пар начнёт выходить из отверстий подошвы утюга (13). Регулятор (3) имеет два фиксированных положения, позволяющих управлять интенсивностью подачи пара. Подача пара начнётся после движения регулятора (3) вправо.
- После использования утюга переведите регулятор температуры (11) в положение «**OFF**», а регулятор постоянной подачи пара (3) переведите в крайнее левое положение – подача пара выключена.
- Извлеките вилку сетевого шнура из электрической розетки и дождитесь полного остывания утюга.

## ВНИМАНИЕ!

Если во время работы не происходит постоянной подачи пара, проверьте правильность положения регулятора температуры (11) и наличие воды в резервуаре (10).

## ДОПОЛНИТЕЛЬНАЯ ПОДАЧА ПАРА

Функция дополнительной подачи пара полезна при разглаживании складок и может быть использована только при высокотемпературном режиме глажения (регулятор температуры (11) находится в положении «•••» или «**МАХ**»).

- При нажатии кнопки дополнительной подачи пара (5) пар из подошвы утюга будет выходить более интенсивно.

## Примечание:

Во избежание вытекания воды из паровых отверстий нажимайте кнопку дополнительной

# РУССКИЙ

подачи пара (5) с интервалом в 4-5 секунд. Чтобы предотвратить появление капель, не удерживайте кнопку дополнительной подачи пара (5) более 5 секунд.

## ВЕРТИКАЛЬНОЕ ОТПАРИВАНИЕ

Функция вертикального отпаривания может быть использована только при высокотемпературном режиме глажения (в этом случае регулятор температуры (11) находится в положении «•••» или «**МАХ**»).

Держите утюг вертикально на расстоянии 10-30 см от одежды и нажимайте на кнопку дополнительной подачи пара (5) с интервалом в 4-5 секунд, пар будет интенсивно выходить из отверстий подошвы утюга (13).

## ВАЖНАЯ ИНФОРМАЦИЯ

Не рекомендуется выполнять вертикальное отпаривание синтетических тканей.

- При отпаривании не прикасайтесь подошвой утюга к материалу, чтобы избежать его оплавления.
- Никогда не отпаривайте одежду, уже надетую на человека, т.к. температура выходящего пара очень высокая, пользуйтесь плечиками или вешалкой.
- Закончив гладить, выключите утюг, дождитесь его полного остывания, после чего откройте крышку заливочного отверстия (2), переверните утюг и слейте остатки воды.

## ОЧИСТКА ПАРОВОЙ КАМЕРЫ

Для увеличения срока службы утюга рекомендуется регулярно выполнять очистку паровой камеры, особенно в регионах с жёсткой водопроводной водой.

- Переведите регулятор постоянной подачи пара (3) в крайнее левое положение – подача пара выключена.
- Наполните резервуар (10) водой наполовину.
- Поставьте утюг на основание (8).
- Вставьте вилку сетевого шнура в электрическую розетку.
- Поворотом регулятора (11) установите максимальную температуру нагрева подошвы утюга «•••» или «**МАХ**», при этом загорится индикатор (9).
- Когда подошва утюга (13) нагреется до установленной температуры, индикатор (9)

погаснет, можно проводить очистку паровой камеры.

- Выключите утюг, установив регулятор температуры (11) в положение «**OFF**».
- Извлеките вилку сетевого шнура из электрической розетки.
- Расположите утюг горизонтально над раковиной, нажмите и удерживайте кнопку самоочистки (14).
- Кипящая вода и пар вместе с накипью будут выбрасываться из отверстий подошвы утюга (13).
- Слегка покачивайте утюг вперед-назад, пока вся вода не выйдет из резервуара (10).
- Поставьте утюг на основание (8) и дайте ему полностью остыть.
- Когда подошва утюга (13) полностью остынет, протрите ее кусочком сухой ткани.
- Прежде чем убрать утюг на хранение, убедитесь, что в резервуаре (10) нет воды, а подошва утюга (13) – сухая.

## УХОД И ЧИСТКА

- Прежде чем чистить утюг, убедитесь, что он отключён от электрической сети и уже остыл.
- Протирайте корпус утюга слегка влажной тканью, после этого вытрите его насухо.
- Отложения на подошве утюга могут быть удалены тканью, смоченной в уксусно-водном растворе.
- После удаления отложений отполируйте поверхность подошвы утюга сухой тканью.
- Не используйте для чистки подошвы и корпуса утюга абразивные чистящие средства.
- Не допускайте контакта подошвы утюга с острыми металлическими предметами.

## ХРАНЕНИЕ

- Поверните регулятор температуры (11) против часовой стрелки до положения «**OFF**», переведите регулятор постоянной подачи пара (3) в крайнее левое положение – подача пара выключена.
- Извлеките вилку сетевого шнура из электрической розетки.
- Откройте крышку заливочного отверстия (2), переверните утюг и слейте оставшуюся воду из резервуара для воды (10).
- Закройте крышку (2).

- Поставьте утюг вертикально и дайте ему полностью остыть.
- Храните утюг в вертикальном положении в сухом прохладном месте, недоступном для детей.

## КОМПЛЕКТ ПОСТАВКИ

Утюг – 1 шт.  
 Мерный стаканчик – 1 шт.  
 Инструкция – 1 шт.

## ТЕХНИЧЕСКИЕ ХАРАКТЕРИСТИКИ

Электропитание: 220-240 В ~ 50 Гц  
 Потребляемая мощность: 2000-2400 Вт

## УТИЛИЗАЦИЯ



В целях защиты окружающей среды, после окончания срока службы прибора и элементов питания, не выбрасывайте их вместе с обычными бытовыми отходами, передайте прибор и элементы питания в специализированные пункты для дальнейшей утилизации.

Отходы, образующиеся при утилизации изделий, подлежат обязательному сбору с последующей утилизацией в установленном порядке.

Для получения дополнительной информации об утилизации данного продукта обратитесь

в местный муниципалитет, службу утилизации бытовых отходов или в магазин, где Вы приобрели данный продукт.

*Производитель сохраняет за собой право изменять дизайн и технические характеристики прибора без предварительного уведомления*

**Срок службы прибора – 3 года**



*Данное изделие соответствует всем требуемым европейским и российским стандартам безопасности и гигиены.*

**Изготовитель:** АНДЕР ПРОДАКТС ГмбХ, Австрия

**Адрес:** Нойбаугюртель 38/7А, 1070 Вена, Австрия.

**Информация для связи:** e-mail: anderproduct@gmail.com

Информация об Импортере указана на индивидуальной упаковке.

Информация об авторизованных (уполномоченных) сервисных центрах указана в гарантийном талоне и на сайте [www.vitek.ru](http://www.vitek.ru)

Единая справочная служба: +7 (495) 921-01-70

Сделано в Китае

# ҚАЗАҚША

## БУЛЫ ҮТИГІ VT-1246 VT

Үтік киімді, төсек жасауларын үтіктеу үшін, сонымен қатар маталарды тік ылғалдау үшін арналған.

### СИПАТТАМАСЫ

1. Су шашыратқыш
2. Су құятын саңылаудың қақпағы
3. Үнемі бу жіберу реттегіші
4. Су бүріккіштің түймесі
5. Қосымша бу беру түймесі
6. Тұтқа
7. Желілік сымды қорғау
8. Үтіктің түбі
9. Қыздырғыш элементті қосу/сөндіру көрсеткіші
10. Суға арналған сауыт
11. Температураны реттегіш
12. Судың максималды деңгейінің көрсеткіші
13. Үтіктің табаны
14. Өздігімен тазалану батырмасы
15. Өлшеуіш стақан

### ҚАУІПСІЗДІК ШАРАЛАРЫ

#### Назар аударыңыз!

Қосымша қорғану үшін қуат тізбегіне 30 мА-ден аспайтын номиналды жұмыс істеу тоғы бар қорғаушы сөндіргіш құрылғыны (ҚСҚ) орнатып қойған жөн; ҚСҚ-ны орнату үшін маманға жолығу керек.

### ҚАУІПСІЗДІК ШАРАЛАРЫ

Электр аспабын пайдалануды бастамас бұрын пайдалану жөніндегі осы нұсқаулықты мұқият оқып шығыңыз және оны анықтама материалы ретінде қолдану үшін сақтап қойыңыз.

Құрылғыны осы нұсқаулықта баяндалғандай тікелей мақсаты бойынша ғана пайдаланыңыз. Құрылғыны дұрыс пайдаланбау оның бұзылуына, тұтынушыға немесе оның мүлгіне зиян келтіруіне әкелуі мүмкін.

- Қосар алдында, электр желісіндегі кернеу құрылғының жұмыс кереуіне сәйкес келетіндігін тексеріп алыңыз.
- Желілік шнур «евроашамен» жабдықталған; оны жерге сенімді қосылған байланысы бар электр розеткасына қосыңыз.
- Өрттің пайда болу тәуекеліне жол бермеу үшін аспапты электр розеткасына қосу кезінде өткізгіштерді қолданбаңыз.
- Электр желісіндегі жүк шамадан асып кетпеуі үшін көп қуатты тұтынатын бірнеше құрылғыны үтікпен бір мезгілде қоспаңыз.
- Үтікті панажайлардан тыс және ылғалдылығы жоғары панажайларда пайдаланбаңыз.

- Үтікті жазық тұрақты бетке қойыңыз немесе тұрақты үтіктеу тақтасын пайдаланыңыз.
- **Назар аударыңыз!** Үтіктің беті жұмыс кезінде қызады. Күйікке шалдығуды болдырмау үшін терінің ашық жерлерінің үтіктің ыстық беттерімен немесе шығып жатқан бумен түйісуін болдырмаңыз.
- Су құюға арналған резервуарға хошистендіргіш сұйықтықтарды, сірке суын, крахмал ерітіндісін, қақтарды кетіруге арналған реагенттерді, химиялық заттарды және т.с.с. құюға тыйым салынады.
- Жұмыс кезінде желілік сымның үтіктеу тақтайшасында болмауын, сонымен бірге жиһаздардың жиектері мен өткір заттардың ыстық үстіңгі беттеріне тимеуін қадағалаңыз.
- Құрылғыны қараусыз қалдырмаңыз. Жұмыс уақытындағы үзілістер уақытында үтікті (тік күйінде) негізіне орнатыңыз.
- Үтікті электр желісіне қосу/ажырату алдында температура реттегішін минималды күйге орнатып алыңыз және тұрақты бу жіберуді ажыратыңыз.
- Үтікті пайдаланбасаңыз, онда оны міндетті түрде электр желісінен сөндіріп отырыңыз. Сауытты суға толтырған кезде, әрқашан айыртетікті ашалықтан ажыратыңыз.
- Суды толтыруға арналған саңылаудың қақпағы үтіктеу уақытында жабық болуы керек.
- Үтікті электр желісінен сөндірген кезде әрқашан желілік айыр тетіктен ұстаңыз, ешқашан желілік баудан тартпаңыз.
- Электр тоғының соғу қаупін болдырмас үшін үтікті, желілік шнурды немесе желілік шнур ашасын суға немесе басқа да сұйықтыққа батырмаңыз.
- Үтікті жинап қоюға дейін судың қалдығын төгіңіз және оған толық салқындауға уақыт беріңіз.
- Үтікті электр желісінен ажыратқаннан кейін ғана резервуардағы суды төгіңіз.
- Желіге қосулы тұрған үтікті қараусыз қалдырмаңыз.
- **Аспапты уақытында тазалап тұрыңыз.**
- **Құрылғы корпусын, желілік сымды және желілік сым айырын су қолмен ұстауға тыйым салынады.**
- Балалардың құрал жұмысы кезінде корпусын немесе желілік сымын ұстауына рұқсат бермеңіз.
- Балалардың құрылғыны ойыншық ретінде пайдалануына жол бермес үшін, оларды қадағалап отырыңыз.

- Балалардың қауіпсіздігін қамтамасыз ету мақсатында қаптама ретінде пайдаланылатын полиэтилен қапшықтарды қараусыз қалдырмаңыз.

**Назар аударыңыз!** Балаларға полиэтилен пакеттермен немесе қаптама үлдірмен ойнауға рұқсат бермеңіз. **Тұншығу қаупі!**

- Үтік құлағаннан кейін, көзге көрінетін бүлінулері болған жағдайда немесе суы ағып тұрған кезде оны пайдаланбаңыз.
- Үтіктеу кезінде немесе үтіктеп болғаннан кейін бірден құрылғының таңбасымен  белгіленген бетіне қол тигізуге тыйым салынған. Күйіп қалу қаупі бар.
- Аспапты өз бетімен жөндеуге тыйым салынады. Өздігіңізден құрылғыны бөлшектемеңіз, кез келген ақау шыққан жағдайда, сондай-ақ құрылғы құлаған жағдайда құрылғыны розеткадан алып тастаңыз да, байланысу мекенжайлары бойынша кепілдеме талонында көрсетілген кез келген авторланған (уәкілетті) сервистік орталыққа, және [www.vitek.ru](http://www.vitek.ru) сайтына жүгініңіз.
- Құрылғыны тек зауыттық қаптамасында тасымалдаңыз.
- Құрылғыны балалар және мүмкіндігі шектеулі адамдардың қолы жетпейтін жерде сақтаңыз.
- Бұл құрылғы 8 жастан төменгі балалардың пайдалануына арналмаған. Құрылғы әзірлейтін ыдыс жұмыс істеген кезде және суыту кезінде 8 жастан кіші балалар жете алмайтын жерде тұруы тиіс.
- Бұл прибор жеке мүмкіншілігі шектеулі, жүйке, психикасы ауыратын немесе білімі жеткіліксіз адамдарға (8 жастан жоғары балаларды қоса алғанда) пайдалануға арналмаған. Бұл адамдар тек өздерінің қауіпсіздіктері үшін жауап беретін тұлғаның қадағалауымен болса, сондай-ақ өздеріне құрылғыны қауіпсіз пайдалану және дұрыс пайдаланбаған жағдайда орын алуы мүмкін қауіпті жағдайлар туралы тиісті және түсінікті нұсқаулар берілген болса осы приборды пайдалана алады.
- Резервуарда судың қалдығы болуы мүмкін – бұл қалыпты құбылыс, себебі өндірісте үтік сапа бақылауынан өткен болатын.

**ҚҰРЫЛҒЫ ТҰРҒЫН ПАНАЖАЙЛАРДА ТҰРМЫСТЫҚ ПАЙДАЛАНУ ҮШІН АРНАЛҒАН, ҚҰРЫЛҒЫНЫ КОММЕРЦИЯЛЫҚ ПАЙДАЛАНУ ЖӘНЕ ӨНДІРІСТІК АЙМАҚТАР МЕН ЖҰМЫС ПАНАЖАЙЛАРЫНДА ПАЙДАЛАНУҒА ТЫЙЫМ САЛЫНАДЫ.**

**АЛҒАШ ПАЙДАЛАНАР АЛДЫНДА Құрылғыны суық (қысқы) жағдайда тасымалдау немесе сақтаудан кейін оны бөлме температурасында 3 сағаттан кем уақыт ұстау қажет.**

- Үтік қораптан шығарып алыңыз, табанында қорғаныш қабаты (13) болса, онда оны алып тастаңыз.
- Құрылғының бүтіндігін тексеріңіз, бүлінген жерлері болған кезде үтік пайдаланбаңыз.
- Қоспай тұрып, электр желісінің кернеуі құрылғының жұмыс кернеуіне сай келетінін тексеріп алыңыз.
- Үтіктің табанын өткір бұйымдарына тигізіп алмаңыз.
- Резервуарда судың қалдығы болуы мүмкін – бұл қалыпты құбылыс, себебі өндірісте үтік сапа бақылауынан өткен болатын.

**Ескерту:** Алғашқы қосқан кезде үтіктің қыздырғыш элементі күйеді, сондықтан аздаған түтіннің және бөтен иістің пайда болуы қалыпты жағдай болып табылады.

## СУДЫ ТАҢДАУ

Резервуарды толтыру үшін су құбыры суын қолданыңыз. Егер суқұбырындағы су кермек болса, онда оны тазартылған сумен 1:1 арақатынасы бойынша араластырыңыз, су өте кермек болған кезде оны тазартылған сумен 1:2 арақатынасы бойынша араластырыңыз немесе тек тазартылған суды пайдаланыңыз.

## Ескерту

**Су құюға арналған резервуарға (10) хошиістендіргіш сұйықтықтарды, сірке суын, крахмал ерітіндісін, қақтарды кетіруге арналған реагенттерді, химиялық заттарды және т.б. құюға тыйым салынады.**

## СУҒА АРНАЛҒАН РЕЗЕРВУАРДЫ ТОЛТЫРУ

Суды үтіктің ішіне құймас бұрын, оның электр желісінен ажыратулы тұрғанын тексеріп алыңыз.

- Температура реттегішін (11) «OFF» күйіне белгілеңіз, ал тұрақты бу беру реттегішін (3) ең шеткі сол жақ – бу беру сөндірілген күйге ауыстырыңыз.
- Су құю саңылауының қақпағын (2) ашыңыз.
- Өлшеуіш стақанды (15) пайдаланып, су резервуарға (10) су құйыңыз, одан кейін қақпақты (2) тығыз жабыңыз.

## Ескертпе

- Суды «MAX» белгісінен жоғары толтырмаңыз.


# ҚАЗАҚША

- Егер үтіктеу кезінде суды толтыру қажет болса, онда үтікті сөндіріңіз және желілік айыр тетікті ашалықтан ажыратыңыз және суды құйыңыз.
- Сіз үтіктеп болғаннан кейін, үтікті сөндіріңіз, оның толық салқындауын күтіңіз, содан кейін құятын саңылаудың қақпағын (2) ашыңыз, үтікті төңкеріңіз және ссу қалдықтарын төгіңіз.

## ҮТІКТЕУ ТЕМПЕРАТУРАСЫ

Қолдану алдында, үтіктің табаны (13) және суға арналған сауыт (10) таза екеніне көз жеткізу үшін қызған үтікті матаның кішкентай бөлігінде тексеріңіз.

- Өр кезде киімдерді үтіктеу алдында, бұйымның үтіктеу температурасы көрсетілген тілшелерге қараңыз.
- Егер үтіктеу бойынша нұсқаулары бар жапсырма болмаса, бірақ сіз матаның түрін білсеңіз, онда үтіктеу температурасын таңдау үшін кестеге қараңыз.

Белгілеулер	Мата түрі (температура)
	үтіктемеу керек
•	синтетика, нейлон, акрил, полиэстер (төменгі температура)
••	Жібек/жүн (орташа температура)
•••	Мақта/зығыр (жоғары температура)

- Бұл кесте тек тегіс материалдарға арналған. Егер материал басқа түрлі болса (гофриленген, кеді—бұдырлы және т.б.), онда оны төменгі температурада үтіктеген жөн.
- Алдымен киімдерді үтіктеу температурасы бойынша сұрыптап алыңыз: синтетиканы-синтетикаға, жүнді – жүнге, мақтаны – мақтаға және т.б.
- Үтіктің қызуы, оның сууына қарағанда тез. Сондықтан алдымен төменгі температураны қажет ететін киімдерді үтіктеп алған жөн (мысалы, синтетикалық маталар). Содан кейін анағұрлым жоғары температура кезіндегі үтіктеуге көшіңіз (жібек, жүн). Мақта мен зығыр бұйымдарын соңғы кезекте үтіктеген жөн.
- Егер матаның құрамына аралас талшықтар енсе, онда ең төмен температураны белгілеу қажет (мысалы, егер бұйым 60% Полиэстерден

және 40% мақтадан құралса, онда оны полиэстерге сәйкес температурада үтіктеу қажет («•»).

- Егер сіз матаның құрамын анықтай алмасаңыз, онда киімнің киген кезде көзге түсе қоймайтын жерін тауып алыңыз да, тәжірибелік жолмен үтіктеу температураны таңдаңыз (үнемі ең төменгі температурадан бастаңыз да, қалаған нәтижеге қол жеткізбейінше оны көбейте беріңіз.)
- Вельветті және басқа да тез түгі түсетін маталарды қатаң түрде бір бағытта ғана (түктің ығына қарай) сәл батыңқырап үтіктеу керек.
- Синтетикалық және жібек маталарда түгі түскен дақтардың пайда болуын болдырмас үшін оларды астары жағынан үтіктеген жөн.

## ҮТІКТЕУ ТЕМПЕРАТУРАСЫН ОРНАТУ

- Үтікті түбіне (8) қойыңыз.
- Желілік шнурдың ашасын электр розеткасына сұғыңыз.
- Реттегішті (11) бұрай отырып, қалаған үтіктеу температурасын орнатыңыз: «•», «••», «•••» немесе «MAX» осы кезде матаның түріне байланысты көрсеткіш (9) жанады.
- Табанның (13) температурасы белгіленген температураға дейін қызған кезде көрсеткіш (9) сөніп қалады, осыдан кейін үтіктеуге кірісе беруге болады.

## Ескерту:

- Егер сіз жоғары температурамен үтіктесеңіз, жәнетөмен температураға көшу қажеттілігі туындағанда, онда табаны температурасының төмендеуін күту және көрсеткіш (9) жанғаннан кейін ғана үтіктеуге кірісу ұсынылады.
- Бумен үтіктеген кезде үтіктеу температурасын «•••» немесе «MAX» белгілеу қажет, температура реттегішінде (11) бумен жұмыс істеу секторы сәйкес таңбасымен белгіленген.

## СУ ШАШЫРАТҚЫШ

- Сіз шашыратқыш түймесін (4) бірнеше рет басып матаны дымқылдай аласыз.
- Резервуардағы (10) судың жеткілікті екеніне көз жеткізіп алыңыз.

## ҚҰРҒАҚТАЙ ҮТІКТЕУ

- Үтікті түбіне (8) қойыңыз.
- Желілік шнурдың ашасын электр розеткасына сұғыңыз.
- Тұрақты бу беру реттегіші (3) ең шеткі сол жақ – бу беру сөндірілген күйге ауыстырыңыз.
- Реттегішті (11) бұрай отырып, қалаған үтіктеу температурасын орнатыңыз: «•», «••», «•••»



немесе «**MAX**» осы кезде матаның түріне байланысты көрсеткіш (9) жанады.

- Табанның (13) температурасы белгіленген температураға дейін қызған кезде көрсеткіш (9) сөніп қалады, осыдан кейін үтіктеуге кірісе беруге болады.
- Үтікті пайдаланып болғаннан кейін температура реттегішін (11) «**OFF**» күйіне орнатыңыз.
- Желілік шнурдың ашасын электр розеткасынан суырыңыз да, оның толық сууын күтіңіз.

## БУМЕН ҮТІКТЕУ

Бумен үтіктеген кезде үтіктеу температурасын «**MAX**» немесе «**•••**» белгілеу қажет, температура реттегішінде (11) бумен жұмыс істеу секторы сәйкес таңбалармен белгіленген. Үтік табанының температурасы өте төмен болған кезде, су жіберуді жауып қалатын, тамшыға қарсы құлақшасымен жабдықталған, бұл үтіктің табанындағы (13) саңылаудан тамшылардың пайда болуын тоқтатады Үтік табаны (13) не қызған кезде, не суыған кезде тамшыға қарсы құлақшаның ашылуына/жабылуына тән дыбыстар естіледі, бұл оның дұрыс жұмыс істеп тұрғандығын білдіреді.

- Үтікті түбіне (8) қойыңыз.
- Тұрақты бу беру реттегіші (3) ең шеткі сол жақ – бу беру сөндірілген күйге ауыстырыңыз.
- Желілік шнурдың ашасын электр розеткасына сұғыңыз.
- Резервуардағы (10) судың жеткілікті екеніне көз жеткізіп алыңыз.
- Реттегішті (11) бұрай отырып, қалаған үтіктеу температурасын орнатыңыз: «**MAX**» немесе «**•••**», осы кезде көрсеткіш (9) жанады.
- Табанның температурасы (13) температурасы белгіленген температураға дейін қызған кезде көрсеткіш (9) сөніп қалады, осыдан кейін үтіктеуге кірісе беруге болады.
- Тұрақты бу беру реттегішімен (3) қажетті бу түзу қарқындылығын белгілеңіз, бу үтік табанының (13) саңылауларынан шыға бастайды. Реттегіштің (3) екі бекітілген күйі бар, олар бу беру қарқындылығын басқаруға мүмкіндік береді. Реттегішті (3) оңға қарай жылжытқанда бу беру басталады.
- Үтікті пайдаланып болғаннан кейін температура реттегішін (11) «**OFF**» күйіне, ал тұрақты бу беру реттегішін (3) ең шеткі сол жақ – бу беру сөндірілген күйге ауыстырыңыз.
- Желілік шнурдың ашасын электр розеткасынан суырыңыз да, оның толық сууын күтіңіз.

## НАЗАР АУДАРЫҢЫЗ!

Егер жұмыс істеу уақытында тұрақты бу беру болмаса, температура реттегіші (11) күйінің дұрыстығын және сауытта (10) судың болуын тексеріңіз.

## ҚОСЫМША БУ ЖІБЕРУ

Қосымша бу жіберу функциясы жиырылған жерлерді жазу кезінде пайдалы және жоғары температуралы үтіктеу күйінде ғана пайдаланыла алады (температуры реттегіш (11) «**•••**» немесе «**MAX**» күйінде).

- Қосымша бу жіберу тетігін (5) басқан кезде бу үтіктің табанынан аса қарқынды шығатын болад.

## Ескерту:

Бу саңылауларының арасынан судың ағуын болдырмау үшін қосымша бу жіберу тетігін (5) 4-5 секунд аралығымен басып отырыңыз. Тамшының пайда болуын болдырмау үшін қосымша бу беру пернені (5) 5 секундтан артық ұстап тұрмаңыз.

## ТІГІНЕН БУЛАУ

Тігінен булау функциясы тек жоғары температуралы үтіктеу күйінде ғана пайдаланыла алады (мұндай жағдайда температура реттегіші (11) «**•••**» немесе «**MAX**» күйінде).

Үтікті тігінен киімнен 10-30 см қашықтықта ұстап тұрыңыз да, қосымша бу беру батырмасын (5) 4-5 секунд аралықпен басыңыз, бу үтіктің табанынан (13) қарқынды шығатын болады.

## Маңызды ақпарат

Синтетикалық маталарды тігінен булауға болмайды.

- Булау кезінде үтіктің табанын материалға, оның балқуын болдырмас үшін, тигізбеңіз.
- Ешқашан адамға киіліп тұрған киімді ылғалдамаңыз, себебі шығып жатқан будың температурасы өте жоғары, иықшаларды немесе киім ілгішті пайдаланыңыз.
- Сіз үтіктеп болғаннан кейін, үтікті сөндіріңіз, оның толық суығанын күтіңіз, осыдан кейін су құю саңылауының қақпағын (2) ашыңыз да, үтікті төңкеріп қалған суды төгіп тастаңыз.

## БУ КАМЕРАСЫН ТАЗАРТУ

Үтіктің қызмет ету мерзімін арттыру үшін үнемі бу камерасын тазартып тұру керек, әсіресе, “кермек” суқұбырлы суы бар өңірлерде.

- Тұрақты бу жіберу реттегішін (3) ең шеткі сол жақ - бу жіберу сөндірулі күйіне орнатыңыз.
- Сауытты (10) жартылай суға толтырыңыз.
- Үтікті түбіне (8) қойыңыз.

# ҚАЗАҚША

- Желілік шнурдың ашасын электр розеткасына сұғыңыз.
- Реттегішті (11) бұрай отырып, үтік табанының максималды қызу температурасына «•••» немесе «**MAX**» орнатыңыз, осы кезде көрсеткіш (9) жанады.
- Үтік табанының (13) температурасы белгіленген температураға жеткенде, көрсеткіш (9) сөнеді, бу камерасын тазалауды жүргізуге болады.
- Температура реттегішін (11) «**OFF**» күйіне белгілеп, үтікті сөндіріңіз.
- Желілік сым айырын электрлік розеткадан суырыңыз.
- Үтікті қолжұғыш үстінен көлденең орналастырыңыз, өздігімен тазалану батырмасын (14) басып ұстап тұрыңыз.
- Қайнаған су мен бу қақпен бірге үтіктің табаны (13) саңылауларынан шыға бастайды.
- Үтікті резервуардағы (10) барлық су шығып болмайынша сәл алдыға-артқа шайқаңыз.
- Үтікті түбіне қойыңыз да (8), оны толық суытыңыз.
- Үтіктің табаны (13) толық суып болғаннан кейін, оны құрғақ матамен сүртіңіз.
- Үтікті сақтауға алып қоймас бұрын резервуарда (10) судың қалмағандығын, ал үтіктің табаны (13) құрғақ екенін тексеріп алыңыз.

## ТАЗАЛАУ ЖӘНЕ КҮТУ

- Үтікті тазаламас бұрын, ол электр желісінен ажыратулы және суып тұрғанын тексеріп алыңыз.
- Үтіктің корпусын ылғал матамен сүртіңіз, осыдан кейін оны құрғатып сүртіңіз.
- Үтіктің табанындағы шөгінділерді су-сірке суы ерітіндісіне малынған матамен кетіруге болады.
- Шөгінділерді кетіргеннен кейін табанның бетін құрғақ матамен жалтыратып сүртіңіз.
- Үтіктің табаны мен корпусын тазалау үшін қажайтын тазартқыш құралдарды пайдаланбаңыз.
- Үтіктің табанын өткір металл бұйымдарына тигізіп алмаңыз.

## САҚТАЛУЫ

- Температура реттегішін (11) «**OFF**» күйіне дейін сағат тіліне қарсы бұраңыз, үнемі бу жіберу реттегішін (3) шеткі сол жақтағы бу жіберу сөндірулі күйіне орнатыңыз.
- Желілік сым айырын электрлік розеткадан суырыңыз.

- Құятын саңылаудың қақпағын (2) ашыңыз, үтікті төңкеріңіз және қалған суды суға арналған сауыттан (10) төгіңіз.
- Қақпақты (2) жабыңыз.
- Үтікті тігінен қойыңыз да, оны суытыңыз.
- Үтікті тік күйде құрғақ салқын балалардың қолдары жетпейтін жерде сақтаңыз.

## ЖЕТКІЗУ ЖИЙНТЫҒЫ

Үтік – 1 дн.

Өлшеуіш стақан – 1 дн.

Нұсқаулық – 1 дн.

## ТЕХНИКАЛЫҚ СИПАТТАМАЛАР

Электрқорегі: 220-240 В ~ 50 Гц

Қажет ететін қуаты: 2000-2400 Вт

## ҚАЙТА ӨНДЕУ



Қоршаған ортаны қорғау мақсатында, аспаптың және қоректендіру элементтерінің қызмет ету мерзімі аяқталғаннан кейін, оларды дәстүрлі тұрмыстық қалдықтармен бірге тастамаңыз, аспап пен қоректендіру элементтерін келесі қайта өңдеу үшін арнайы пункттерге өткізіңіз.

Бұйымдарды қайта өңдеу кезінде пайда болатын қалдықтар белгіленген тәртіп бойынша келесі қайта өңделетін міндетті жинауға жатады.

Берілген өнімді қайта өңдеу туралы қосымша ақпаратты алу үшін жергілікті муниципалитетке, тұрмыстық қалдықтарды қайта өңдеу қызметіне немесе берілген өнімді Сіз сатып алған дүкенге хабарласыңыз.

*Өндіруші аспаптың дизайны мен техникалық сипаттамаларын алдын-ла хабарлаусыз өзгерту құқығын сақтайды.*

**Құрылғының жұмыс істеу уақыты – 3 жыл**

## Гарантиялық міндеттілігі

Гарантиялық жағдайдағы қаралып жатқан бөлшектер дилерден тек сатып алынған адамға ғана беріледі. Осы гарантиялық міндеттілігіндегі шағымдалған жағдайда төлеген чек немесе квитанциясын көрсетуі қажет.



## ПРАСКА VT-1246 VT

Праска призначена для прасування одягу, постільної білизни та вертикального відпарювання тканин.

### ОПИС

1. Розбризувач води
2. Кришка заливального отвору
3. Регулятор постійної подачі пару
4. Кнопка розбризувача води
5. Кнопка додаткової подачі пару
6. Ручка
7. Захист мережевого шнура
8. Основа праски
9. Індикатор вмикання/вимикання нагрівального елемента
10. Резервуар для води
11. Регулятор температури
12. Показчик максимального рівня води
13. Підшва праски
14. Кнопка самоочищення
15. Мірна склянка

### ЗАХОДИ БЕЗПЕКИ

#### Увага!

Для додаткового захисту доцільно встановити в ланцюг харчування пристрій захисного відключення (ПЗВ) з номінальним струмом спрацьовування, що не перевищує 30 мА; при установці слід звернутися до фахівця.

#### ЗАХОДИ БЕЗПЕКИ

Перед початком експлуатації електроприладу уважно прочитайте цей посібник по експлуатації і збережіть його для використання в якості довідкового матеріалу.

Використовуйте пристрій лише по його прямому призначенню, як викладено в цьому керівництві. Неправильне поводження з пристроєм може привести до його поломки, спричинення шкоди користувачеві або його майну.

- Перед вмиканням переконайтеся, що напруга у електричній мережі відповідає робочій напрузі праски.
- Мережевий шнур забезпечений «євро вилкою»; включайте її в розетку, що має надійний контакт заземлення.
- Щоб уникнути ризику виникнення пожежі не використовуйте перехідники при підключенні приладу до електричної розетки.
- Щоб уникнути перевантаження електричної мережі не включайте одночасно декілька пристроїв з великою споживаною потужністю.

- Не користуйтеся праскою поза приміщеннями, а також в приміщеннях з підвищеною вологістю.
- Ставте праску на рівну стійку поверхню або користуйтеся стійкою прасувальною дошкою.
- **Увага!** Поверхні праски нагріваються під час роботи. Не допускайте контакту відкритих ділянок шкіри з гарячими поверхнями праски або паром, що виходить, щоб уникнути опіків.
- Забороняється заливати в резервуар для води ароматизуючі рідини, оцет, розчин крохмалю, реакенти для видалення накипу, хімічні речовини тощо.
- Слідкуйте, щоб мережевий шнур не знаходився на прасувальній дошці, а також не торкався гарячих поверхонь і гострих кромок.
- Не залишайте пристрій без нагляду. Під час перерв у роботі встановлюйте праску на основу (у вертикальне положення).
- Перед вимкненням/підмиканням праски до електричної мережі встановіть регулятор температури у мінімальне положення і вимкніть постійну подачу пару.
- Завжди відключайте пристрій від електричної мережі, якщо ви їм не користуєтесь. Всякий раз при наповненні резервуару водою обов'язково виймайте вилку мережевого шнура з електричної розетки.
- Кришка заливального отвору має бути закрита під час прасування.
- При відключенні праски від електричної мережі завжди тримайтеся за мережеву вилку, ніколи не тягніть за мережевий шнур.
- Щоб уникнути поразки електричним струмом і спалаху не занурюйте корпус пристрою, мережевий шнур і вилку мережевого шнура у воду або інші рідини.
- Перш ніж забрати праску, дайте їй повністю остигнути і злийте залишки води.
- Зливайте воду з резервуара лише після вимкнення праски з електричної мережі.
- Не залишайте праску, яка увімкнута в електричну мережу, без нагляду.
- **Регулярно робіть чищення пристрою.**
- **Не торкайтеся корпусу пристрою і вилки мережевого шнура мокрими руками.**
- Не дозволяйте дітям торкатися до корпусу пристрою і до мережевого шнура під час роботи праски.
- Здійснюйте нагляд за дітьми, щоб не допустити використання приладу в якості іграшки.

# УКРАЇНЬСКА

- З міркувань безпеки дітей не залишайте поліетиленові пакети, використовувані в якості упаковки, без нагляду.

**Увага!** Не дозволяйте дітям грати з поліетиленовими пакетами або пакувальною плівкою.

## **Небезпека ядухи!**

- Не користуйтеся праскою після її падіння, за наявності видимих пошкоджень або в разі протікання.
- Під час прасування та після нього забороняється торкатися поверхні пристрою, яка відзначена символом . Ризик опіку!
- Забороняється самостійно ремонтувати пристрій. Не розбирайте пристрій самостійно, при виникненні будь-яких несправностей, а також після падіння пристрою вимкніть пристрій з електричної розетки та зверніться до будь-якого авторизованого (уповноваженого) сервісного центру за контактними адресами, вказаними у гарантійному талоні та на сайті [www.vitek.ru](http://www.vitek.ru).
- Перевозьте пристрій лише в заводській упаковці.
- Зберігайте пристрій у місцях, недоступних для дітей і людей з обмеженими можливостями.
- Даний пристрій не призначений для використання дітьми молодше 8 років. Під час роботи і охолодження праски розміщайте пристрій у місцях, недоступних для дітей молодше 8 років.
- Цей пристрій не призначений для використання людьми (включаючи дітей старше 8 років) з фізичними, нервовими, психічними відхиленнями або без достатнього досвіду і знань. Використання приладу такими особами можливо, тільки якщо вони знаходяться під наглядом особи, що відповідає за їх безпеку, за умови, що їм були дані відповідні і зрозумілі інструкції про безпечне використання пристрою і ті безпеки, які можуть виникати при його неправильному користуванні.
- У резервуарі можуть знаходитися залишки води – це нормальне явище, так як на виробництві праска проходила контроль якості.

*ПРИСТРІЙ ПРИЗНАЧЕНИЙ ТІЛЬКИ ДЛЯ ПОБУТОВОГО ВИКОРИСТАННЯ У ЖИТЛОВИХ ПРИМІЩЕННЯХ, ЗАБОРОНЯЄТЬСЯ КОМЕРЦІЙНЕ ВИКОРИСТАННЯ ТА ВИКОРИСТАННЯ ПРИСТРОЮ У ВИРОБНИЧИХ ЗОНАХ ТА РОБОЧИХ ПРИМІЩЕННЯХ.*

## **ПЕРЕД ПЕРШИМ ВИКОРИСТАННЯМ**

**Після транспортування або зберігання пристрою в холодних (зимових) умовах**

**необхідно витримати його при кімнатній температурі не менше 3 годин.**

- Витягніть праску з упаковки, за наявності захисту на підшві (13) видаліть захист.
- Перевірте цілісність пристрою, за наявності пошкоджень не користуйтеся пристроєм.
- Перед включенням переконайтеся в тому, що напруга в електричній мережі відповідає робочій напрузі пристрою.
- Не допускайте контакту підшви праски з гострими предметами.
- **У резервуарі можуть знаходитися залишки води – це нормальне явище, так як на виробництві праска проходила контроль якості.**

**Примітка:** При першому умиканні нагрівальний елемент праски обгорає, тому можлива поява стороннього запаху та невеликої кількості диму, це нормальне явище.

## **ВИБІР ВОДИ**

Для наповнення резервуару використовуйте водопровідну воду. Якщо водопровідна вода тверда, рекомендується змішувати її з дистильованою водою в співвідношенні 1:1, при дуже твердій воді змішуйте її з дистильованою водою в співвідношенні 1:2 або використовуйте тільки дистильовану воду.

### **Примітка**

**Забороняється заливати в резервуар для води (10) ароматизовані рідини, оцет, розчин крохмалю, реагенти для видалення накипу, хімічні речовини тощо.**

## **НАПОВНЕННЯ РЕЗЕРВУАРУ ДЛЯ ВОДИ**

Перш ніж залити воду в праску, переконайтеся в тому, що вона вимкнена з електричної мережі.

- Установіть регулятор температури (11) у положення «OFF», а регулятор постійної подачі пару (3) переведіть в крайнє ліве положення – подача пару вимкнена.
- Відкрийте кришку заливального отвору (2).
- Використовуючи мірну склянку (15), залийте воду в резервуар для води (10), потім щільно закрийте кришку (2).

### **Примітки**

- **Не наливайте воду вище за відмітку «MAX».**
- **Якщо під час прасування необхідно долити води, відключіть праску і витягніть мережеву вилку з електричної розетки.**
- **Після того, як ви закінчите прасувати, вимкніть праску, дочекайтеся її повного охолодження, потім відкрийте кришку заливального отвору (2), переверніть праску і злийте залишки води.**

## ТЕМПЕРАТУРА ПРАСУВАННЯ

Перед початком експлуатації протестуйте нагріту праску на клаптику тканини, щоб переконатися в тому, що підшова праски (13) та резервуар для води (10) чисті.

- Кожного разу перед прасуванням речей дивіться на ярлик виробу, де вказана рекомендована температура прасування.
- Якщо ярлик з вказівками по прасуванню відсутній, але ви знаєте тип матеріалу, то для вибору температури прасування користуйтеся наступною таблицею.

Позначення	Тип тканини (температура)
	не прасувати
•	синтетика, нейлон, акрил, поліестер <b>(низька температура)</b>
••	шовк/вовна <b>(середня температура)</b>
•••	бавовна/льон <b>(висока температура)</b>

- Таблиця застосовна лише для гладких матеріалів. Якщо матеріал іншого типу (гофрований, рельєфний тощо), то краще всього його прасувати при низькій температурі.
- Спочатку відсортуйте речі по температурі прасування: синтетику – до синтетики, вовна – до вовни, бавовна – до бавовни і так далі.
- Праска нагрівається швидше, ніж остигає. Тому спочатку рекомендується прасувати речі, яким потрібно прасування при низькій температурі (наприклад, синтетичні тканини). Після чого приступайте до прасування при вищих температурах (шовк, вовна). Вироби з бавовни і льону слід прасувати в останню чергу.
- Якщо до складу тканини входять сумішеві волокна, то необхідно встановити температуру прасування найнижчу (наприклад, якщо виріб складається на 60% з поліестера і на 40% з бавовни, то його слід прасувати при температурі, відповідній для поліестера «•»).
- Якщо ви не можете визначити склад тканини, то знайдіть на виробі місце, яке не кидається в очі при носінні, і дослідним шляхом виберіть температуру прасування (завжди починайте з найнижчої температури і поступово підвищуйте її, поки не доб'єтеся бажаного результату).

- Вельветові і інші тканини, які швидко починаять лиснітися, слід прасувати строго в одному напрямі (у напрямі ворсу) з невеликим натиском.
- Щоб уникнути появи лискучих плям на виробих із синтетичних і шовкових тканин, намагайтеся прасувати їх з виворітного боку.

## НАЛАШТУВАННЯ ТЕМПЕРАТУРИ ПРАСУВАННЯ

- Поставте праску на основу (8).
- Вставте вилку мережевого шнура в електричну розетку.
- Поворотом регулювальника (11) встановіть необхідну температуру прасування: «•», «••», «•••» або «**MAX**» (в залежності від типу тканини), при цьому загориться індикатор (9).
- Коли підшова праски (13) нагріється до заданої температури, індикатор (9) згасне, тепер можна приступати до прасування.

### Примітки:

- Якщо ви гладили при високій температурі, при цьому виникає необхідність перейти на низьку температуру, то рекомендується дочекатися зниження температури підшови і починати прасувати тільки після того, як загориться індикатор (9)
- При паровому прасуванні необхідно встановлювати температуру прасування «•••» або «**MAX**», на регуляторі температури (11) сектор роботи з паром відзначений відповідним символом.

## РОЗБРИЗКУВАЧ ВОДИ

- Ви можете зволожити тканини, натиснувши кілька разів на кнопку розбризкувача (4).
- Переконайтеся, що в резервуарі (10) достатньо води.

## СУХЕ ПРАСУВАННЯ

- Поставте праску на основу (8).
- Вставте вилку мережевого шнура в електричну розетку.
- Регулятор постійної подачі пару (3) переведіть в крайнє ліве положення – подача пару вимкнена.
- Поворотом регулятора (11) встановіть необхідну температуру прасування: «•», «••» «•••» або «**MAX**» (в залежності від типу тканини), при цьому загориться індикатор (9).
- Коли температура підшови праски (13) досягне встановленої температури, індикатор (9) згасне, можна приступати до прасування.

# УКРАЇНЬСКА

- Після використання праски установіть регулятор температури (11) у положення «OFF».
- Витягніть вилку мережевого шнура з електричної розетки і дочекайтесь повного охолодження праски.

## ПАРОВЕ ПРАСУВАННЯ

При паровому прасуванні необхідно встановлювати температуру прасування «MAX» або «•••», на регуляторі температури (11) сектор роботи з паром відзначений відповідним символом. Праска забезпечена проти краплинним клапаном, який закриває подачу води; при дуже низькій температурі підшови праски це запобігає появі крапель з отворів підшови праски (13). При нагріванні і охолодженні підшови праски (13) ви почуєте характерні клацання відкривання і закривання проти краплинного клапана, що свідчить про його нормальну роботу.

- Поставте праску на основу (8).
- Регулятор постійної подачі пару (3) переведіть в крайнє ліве положення – подача пару вимкнена.
- Вставте вилку мережевого шнура в електричну розетку.
- Переконайтеся, що в резервуарі (10) достатньо води.
- Поворотом регулювальника (11) встановіть необхідну температуру прасування: «MAX» або «•••», при цьому засвітиться індикатор (9).
- Коли підшова праски (13) нагріється до встановленої температури, індикатор (9) згасне, можна приступати до прасування.
- Регулятором постійної подачі пари (3) установіть необхідну інтенсивність паротворення, пара почне виходити з отворів підшови праски (13). Регулятор (3) має два фіксованих положення, що дозволяють управляти інтенсивністю подачі пару. подача пара почнеться після руху регулятора (3) вправо.
- Після використання праски встановіть регулятор температури (11) в положення «OFF», а регулювальник постійної подачі пару (3) переведіть в крайнє ліве положення – подача пару вимкнена.
- Витягніть вилку мережевого шнура з електричної розетки і дочекайтесь повного охолодження праски.

## УВАГА!

Якщо під час роботи не відбувається постійної подачі пару, перевірте правильність положення регулятора температури (11) і наявність води в резервуарі (10).

## ДОДАТКОВА ПОДАЧА ПАРУ

Функція додаткової подачі пару корисна при розгладженні складок і може бути використана тільки при високотемпературному режимі прасування (регулятор температури (11) в положенні «•••» або «MAX»).

- При натисненні кнопки додаткової подачі пару (5) пар з підшови праски виходитиме інтенсивніше.

## Примітка:

Щоб уникнути витікання води з парових отворів натискуйте кнопку додаткової подачі пару (5) з інтервалом в 4-5 секунд. Щоб запобігти з'явленню краплин, не утримуйте кнопку додаткової подачі пару (5) більше 5 секунд.

## ВЕРТИКАЛЬНЕ ВІДПАРЮВАННЯ

Функція вертикального відпарювання може бути використана лише при високотемпературному режимі прасування (у цьому випадку регулятор температури (11) знаходиться в положенні «•••» або «MAX»).

Тримайте праску вертикально на відстані 10-30 см від одягу і натискайте на кнопку додаткової подачі пару (5) з інтервалом в 4-5 секунд, пар інтенсивно виходитиме з отворів підшови праски (13).

## Важлива інформація

Не рекомендується виконувати вертикальне відпарювання синтетичних тканин.

- При відпарюванні не торкайтеся підшовою праски до матеріалу, щоб уникнути його оплавлення.
- Ніколи не відпарюйте одяг, вже надтий на людину, так як температура пару, що виходить, дуже висока, користуйтеся плічками або вішалкою.
- Закінчивши прасувати, вимкніть праску, дочекайтесь її повного охолодження, після чого відкрийте кришку заливального отвору (2), переверніть праску і злийте залишки води.

## ОЧИЩЕННЯ ПАРОВОЇ КАМЕРИ

Для збільшення терміну служби праски рекомендується регулярно виконувати очищення парової камери, особливо в регіонах з жорсткою водопровідною водою.

- Переведіть регулятор постійної подачі пару (3) в крайнє ліве положення – подача пару вимкнена.
- Наповніть резервуар (10) водою наполювину.
- Поставте праску на основу (8).

- Вставте вилку мережевого шнура в електричну розетку.
- Повертанням регулятора (11) установіть максимальну температуру нагрівання підшови праски «••••» або «**MAX**», при цьому засвітиться індикатор (9).
- Коли підшова праски (13) нагріється до встановленої температури, індикатор (9) згасне, можна проводити очищення парової камери.
- Вимкніть праску, встановивши регулятор температури (11) в положення «**OFF**».
- Витягніть вилку мережевого шнура з електричної розетки.
- Розташуйте праску горизонтально над раковиною, утримуйте кнопку самоочищення (14).
- Кипляча вода і пар разом з накипом будуть викидатися з отворів підшови праски (13).
- Злегка похитуйте праску вперед і назад, поки вся вода не вийде з резервуару (10).
- Поставте праску на основу (8) і дайте їй повністю остигнути.
- Коли підшова праски (13) повністю остигне, протріть її шматочком сухої тканини.
- Перш ніж прибрати праску на зберігання, переконайтеся, що в резервуарі (10) немає води, а підшова праски (13) – суха.

## ДОГЛЯД ТА ЧИЩЕННЯ

- Перш ніж чистити праску переконайтеся, що вона вимкнена з електричної мережі і вже остигла.
- Протирайте корпус праски злегка вологою тканиною, після цього витріть її насухо.
- Відкладення на підшві праски можуть бути видалені тканиною, змоченою в оцтово-водному розчині.
- Після видалення відкладень відполіруйте поверхню підшови праски сухою тканиною.
- Не використовуйте для чищення підшови і корпусу праски абразивні чистячі засоби.
- Уникайте контакту підшови праски з гострими металевими предметами.

## ЗБЕРІГАННЯ

- Поверніть регулятор температури (11) проти годинникової стрілки до положення «**OFF**», переведіть регулятор постійної подачі пари (3) в крайнє ліве положення – подача пару вимкнена.
- Витягніть вилку мережевого шнура з електричної розетки.
- Відкрийте кришку заливального отвору (2), переверніть праску і злийте воду, що залишилася, з резервуару для води (10).

- Закрийте кришку (2).
- Поставте праску вертикально і дайте їй повністю остигнути.
- Зберігайте праску у вертикальному положенні в сухому прохолодному місці, недоступному для дітей.

## КОМПЛЕКТ ПОСТАЧАННЯ

Праска – 1 шт.  
Вимірна склянка – 1 шт.  
Інструкція – 1 шт.

## ТЕХНІЧНІ ХАРАКТЕРИСТИКИ

Електроживлення: 220-240 В ~ 50 Гц  
Споживана потужність: 2000-2400 Вт

## УТИЛІЗАЦІЯ



Для захисту навколишнього середовища після закінчення терміну служби пристрою та елементів живлення не викидайте їх разом з побутовими відходами, передайте пристрій та елементи живлення у спеціалізовані пункти для подальшої утилізації.

Відходи, що утворюються при утилізації виробів, підлягають обов'язковому збору з подальшою утилізацією установленим порядком.

Для отримання додаткової інформації про утилізацію даного продукту зверніться до місцевого муніципалітету, служби утилізації побутових відходів або до крамниці, де Ви придбали цей продукт.

*Виробник зберігає за собою право змінювати дизайн і технічні характеристики приладу без попереднього повідомлення.*

**Термін служби приладу – 3 роки**

## Гарантія

Докладні умови гарантії можна отримати в дилера, що продав дану апаратуру. При пред'явленні будь-якої претензії протягом терміну дії даної гарантії варто пред'явити чек або квитанцію про покупку.



Даний продукт відповідає вимогам Директиви 2014/30/ЄС щодо електромагнітної сумісності та Директиви 2014/35/ЄС щодо низьковольтного обладнання.

**GB**

A production date of the item is indicated in the serial number on the technical data plate. A serial number is an eleven-unit number, with the first four figures indicating the production date. For example, serial number 0606xxxxxx means that the item was manufactured in June (the sixth month) 2006.

**RUS**

Дата производства изделия указана в серийном номере на табличке с техническими данными. Серийный номер представляет собой одиннадцатизначное число, первые четыре цифры которого обозначают дату производства. Например, серийный номер 0606xxxxxx означает, что изделие было произведено в июне (шестой месяц) 2006 года.

**KZ**

Бұйымның шығарылған мерзімі техникалық деректері бар кестедегі сериялық нөмірде көрсетілген. Сериялық нөмір он бір саннан тұрады, оның бірінші төрт саны шығару мерзімін білдіреді. Мысалы, сериялық нөмір 0606xxxxxx болса, бұл бұйым 2006 жылдың маусым айында (алтыншы ай) жасалғанын білдіреді.

**UA**

Дата виробництва виробу вказана в серійному номері на табличці з технічними даними. Серійний номер представляє собою одинадцятизначне число, перші чотири цифри якого означають дату виробництва. Наприклад, серійний номер 0606xxxxxx означає, що виріб був виготовлений в червні (шостий місяць) 2006 року.



ЗАПРЕЩЕНО УТИЛИЗИРОВАТЬ  
С БЫТОВЫМ МУСОРОМ.  
ОБРАТИТЕСЬ НА СООТВЕТСТВУЮЩИЙ  
ПУНКТ ПЕРЕРАБОТКИ ЭЛЕКТРИЧЕСКОГО  
И ЭЛЕКТРОННОГО ОБОРУДОВАНИЯ.