

20 L

INSTRUCTION MANUAL

РУКОВОДСТВО ПО ЭКСПЛУАТАЦИИ

ІНСТРУКЦІЯ З ЕКСПЛУАТАЦІЇ

ПАЙДАЛАНУ ЖӨНІНДЕГІ НҰСҚАУЛЫҚ

GB	MICROWAVE OVEN	4
RUS	МИКРОВОЛНОВАЯ ПЕЧЬ	8
UA	МІКРОХВІЛЬОВА ПІЧ	12
KZ	МИКРОТОЛҚЫНДЫ ПЕШ	17
EST	MIKROLAINEAHI	21
LV	MIKROVIĻŅU KRĀSNS	26
LT	MIKROBANGŲ KROSNEĖ	30
H	MIKROHULLÁMÚ SŰTŐ	34
RO	CUPTOR CU MICROUND	38
PL	KUCHENKA MIKROFALOWA	43



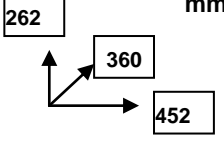
www.scarlett.ru



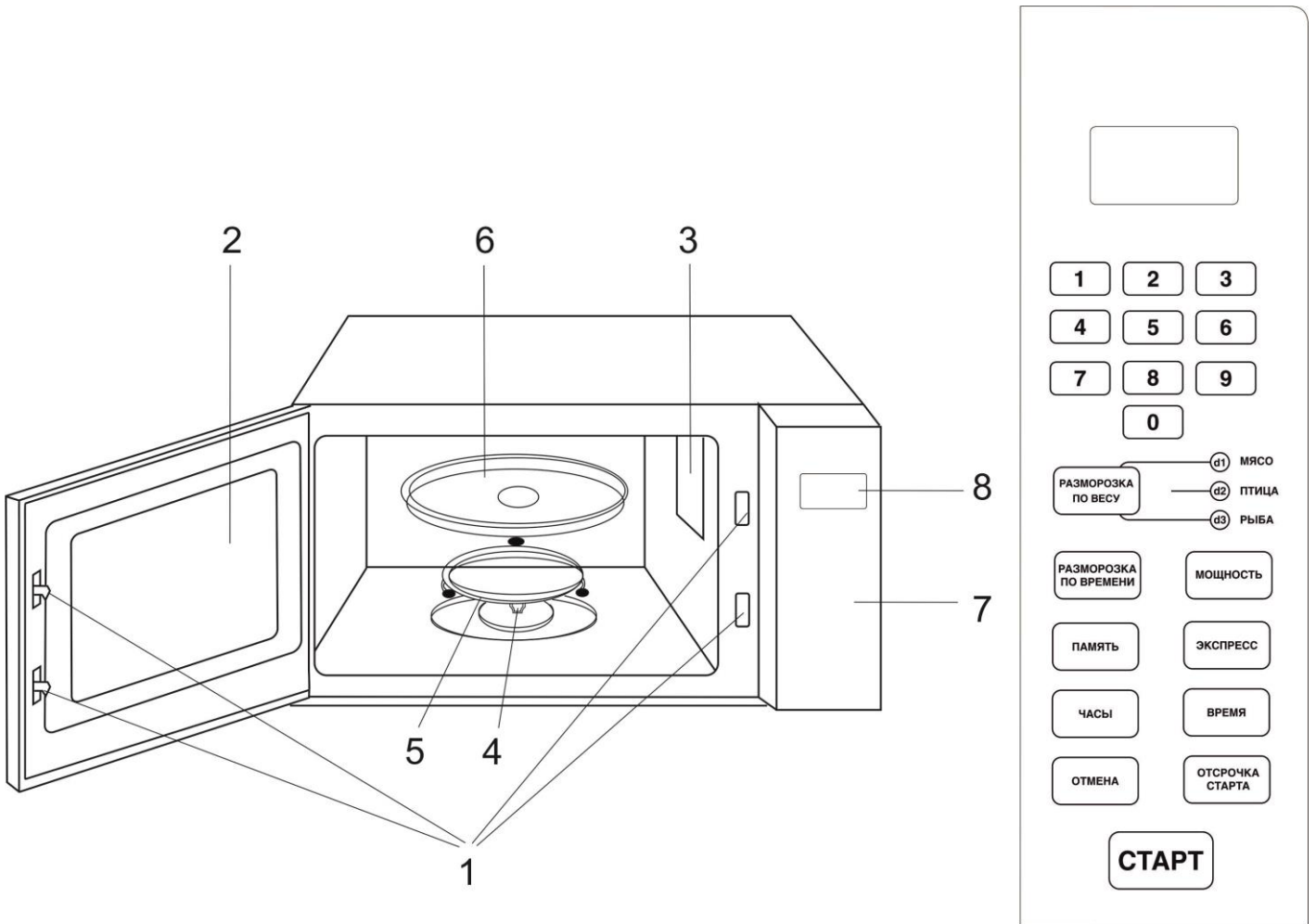
UA.TR.010



GB DESCRIPTION	RUS УСТРОЙСТВО ИЗДЕЛИЯ	UA ОПИС
1. Door lock system	1. Фиксаторы дверцы	1. Засувки дверцят
2. Oven window	2. Окно дверцы	2. Вікно дверцят
3. Waveguide mica shield (Do Not Remove!)	3. Заслонка волновода (НЕ СНИМАТЬ!)	3. Заслінка хвилеводу (НЕ ЗНИМАТИ!)
4. Shaft	4. Ось	4. Вісь
5. Roller ring	5. Вращающееся кольцо	5. Обертове кільце
6. Glass tray	6. Стеклоанное блюдо	6. Склоане блюдо
7. Control panel	7. Панель управления	7. Панель керування
8. Display	8. Дисплей	8. Дисплей
KZ СИПАТТАМА	EST SEADME EHITUS	LV APRAKSTS
1. Есік ілгешектері	1. Ukse fiksaatorid	1. Durtiņu fiksatori
2. Есік терезесі	2. Ukse aken	2. Durtiņu logs
3. Толқын ағызғысы жапқышы (ШЕШПЕНІЗ!)	3. Lainejuhtme klapp (MITTE ÄRA VÕTTA!)	3. Viļņvada aizsegs (NENŅĒMŅI!)
4. Ось	4. Telg	4. Ass
5. Айналмалы сақина	5. Pöörlev ratas	5. Rotējošais riņķis
6. Шыны табақ	6. Klaasliud	6. Stikla šķīvis
7. Басқару панелі	7. Juhtimispaneel	7. Vadības panelis
8. Дисплей	8. Näidik	8. Displejs
LT GAMINIO KONSTRUKCIJA	H KÉSZÜLÉK SZERKEZETE	PL BUDOWA WYROBU
1. Durelių fiksatoriai	1. Ajtórögztű	1. Zatrzaški drzwiczek
2. Durelių langelis	2. Ajtóablak	2. Okienko drzwiczek
3. Bangolaidžio užtvara (NENUIMTI!)	3. Hullámvezető csappantyú (LEVENNI TILOS!)	3. Osłona falowodu (NIE WOLNO ZDEJMOWAĆ)
4. Ašis	4. Tengely	4. Oś
5. Besisukantis žiedas	5. Forgógyűrű	5. Pierścień obrotowy
6. Stiklinis indas	6. Üvegtálca	6. Talerz szklany
7. Valdymo pultas	7. Vezérlőpad	7. Panel sterowania
8. Monitorius	8. Kijelző	8. Wyświetlacz

<p>220-240 V ~ 50 Hz</p>	<p>Maximum power input/Максимальная потребляемая мощность: 1200 W</p> <p>Microwave power/Мощность микроволн: 700 W</p> <p>Operation frequency/Рабочая частота: 2450 MHz</p>	<p>10.5 /11.3 kg</p>	<p>mm</p> 
--------------------------	---	----------------------	---

Технические характеристики могут быть изменены заводом-изготовителем без предварительного уведомления. Указанные масса и геометрические размеры имеют приблизительные значения.



GB INSTRUCTION MANUAL

IMPORTANT SAFEGUARDS

- **IMPORTANT SAFEGUARDS. READ CAREFULLY AND KEEP FOR FUTURE REFERENCE.** Incorrect operation and improper handling can lead to malfunction of the appliance and injuries to the user.
- Before connecting the appliance for the first time check that voltage indicated on the rating label corresponds to the mains voltage in your home.

WARNING! The appliance cord plug has a grounding wire and a terminal. The wall outlet must be suitable and provided with proper grounding.

- The appliance is intended for use only in domestic aims. The unit is not intended for industrial and commercial use, and also for use in:
 - kitchen area for the staff of shops, offices and the other industrial places
 - farm houses
 - hotels, motels, rest homes and other similar places by residents.
- Do not use outdoors.
- If the power cord is damaged it should be replaced by the manufacturer or authorized servicing center or qualified professional for safety reasons.
- Always unplug the appliance from the power supply before cleaning and when not in use.
- The appliance is not intended for use for physically, sensory or mental disabled person (including children) or for person with lack of life experience or knowledge, if only they are under supervision or have been instructed about the use of the unit by responsible person.
- Children must be under control in order not to be allowed to play with the appliance.
- Do not attempt to repair, adjust or replace any parts of the appliance. Check and repair the malfunctioning appliance in the nearest service center only.
- Do not leave the appliance switched on when not in use.
- Do not use other attachments than those supplied.
- Do not attempt to repair, adjust or replace parts in the appliance. Check and repair the malfunctioning appliance in the nearest service center only.

ATTENTION! To avoid microwaves leakage danger, any cover may be removed by authorized specialists only.

- Keep the cord away from sharp edges and hot surfaces.
- Do not pull, twist, or wrap the power cord around the appliance.
- Do not use the appliance for drying clothes or paper.
- In case of power cord is damaged, its replacement should be done by the manufacture or service department or the other high-skill person to avoid any danger.

ATTENTION! To prevent explosion do not process with microwaves any liquids or other products in hermetically closed utensils.

- While heating liquids with microwaves, subsequent rough boiling may take place, therefore it is necessary to take care while handling the utensils.
- To avoid an explosion, pierce a product, which has a dense peel, such as potatoes, apples, egg yolk, chestnuts, sausage etc.
- To prevent fire while heating food in the microwave oven using utensils made of inflammable materials, such as plastic or paper, it is necessary to watch the oven.
- To prevent ignition or any malfunctions it is necessary to remember, that:
 - Burning of products results from too long preparation;
 - Remove all packing and foil before cooking;
 - In case of fire accident do not open the oven door, switch off the microwave oven and unplug it.
- Do not switch on the oven when it is empty. Do not use the chamber to store anything.
- Microwave oven is not intended for conservation of products.
- Do not put products directly on the bottom of the chamber, use glass dish.
- Always check the food temperature, especially if you are cooking for a child. Let the food cool down within several minutes.
- Always follow recipes of cooking, but remember, that some products (jams, puddings, stuffing for a pie from almonds, sugar or candied fruit) are heating up very quickly.
- To prevent short circuit keep air holes of the unit free of water.
- Microwave oven is intended for heating food and beverages. Drying of food or clothing and heating pads, slippers, sponges, wet clothes and similar things can lead to injury, fire and fire.

IMPORTANT:

- Do not cook food directly on the glass tray. Place food in/on proper cooking utensil before placing in the oven.
- Before cooking please ensure that the cookware you are going to use is suitable for microwave oven.
- Microwave utensils should be used only in accordance with manufacturer's instructions.
- Please remember that a microwave oven heats liquid in a container quicker than the container itself. Therefore, though the lid of the container is not hot to touch when removed from the oven, please remember that the food/liquid inside may be hot.
- Preliminary remove all packing, metal strips and foil from products.

- **Do not cook eggs in shell or warm up hard-boiled eggs in microwave ovens, since the eggs may explode even after the microwave heating is finished.**
- Improper oven cleaning may result in surface wear-out that may influence the appliance functioning and represent danger to users.
- If the product has been exposed to temperatures below 0°C for some time it should be kept at room temperature for at least 2 hours before turning it on.
- The manufacturer reserves the right to introduce minor changes into the product design without prior notice, unless such changes influence significantly the product safety, performance, and functions.
- Manufacturing date is indicated on the unit and/or on packing as well as in accompanying documents in the following format XX.XXXX where first two figures XX is the month of production, and following four figures XXXX is the year of production.

HOW TO CHOOSE YOUR MICROWAVE COOKWARE

WARNING! Follow utensils' marking and Manufacturer's guides.

APPLICABLE

- **Heat-proof glassware** – It is most suitable for microwave cooking.
- **Heat-resistant plastic container** – Do not use tightly closed containers. Cannot be used for packing or containing foods with high fat or sugar contents.
- **Earthenware or chinaware** – Conventional utensils of these materials are allowed unless fired with gold, silver or any decorative metallic elements.
- **Special packing** (paper, plastic, etc.) for microwave ovens. Follow manufacture's guides exactly when use.

INAPPLICABLE

- **Film for freshment preservation and heat-resistant combustible plastic wares** – Never apply for packing meat or frying foods.
- **Metal wares (e.g. aluminum, stainless steel, etc.) and aluminum foil*** – Won't let microwaves go through and will spark or ignite touching the cavity wall during cooking.
- * Applicable for wrapping several parts of product to prevent overheating and resulting burnt. Avoid contact with interior walls, minimum distance must be more than 2 cm.
- **Plastics** – Unfit for microwave cooking.
- **Non-heat-proof glassware** – May deform or flaw in a highly hot circumstance. Curved or strengthened glassware is not applicable.

- **Lacquer ware** – May flaw or peel off.

- **Paper, bamboo or wooden ware** – May be burnt while cooking.

- **Melamine dishes** – contain a material, which absorbs microwave energy. This may cause cracking of the dishes or char and will slow down the cooking speed.
- In those cases when plastic or paper containers are used to heat the food in the oven, watch the oven and make sure the containers do not catch fire.

HOW TO IDENTIFY COOKWARE APPROPRIATENESS FOR MICROWAVE COOKING?

- Put the intended cookware together with a glass of water (250 ml) inside the oven cavity, and then switch on the oven at the maximum power for one minute.
- Suitable for microwave cookware will be as cool as ever, while the water will absorb the energy and become warmer.

USEFUL TIPS

- For uniform heating turn over products during cooking.
- Do not cook in a container with a restricted opening, such as a soft drink bottle or salad oil bottle, as they may explode if heated in a microwave oven.
- Do not use conventional meat or candy thermometers. These are thermometers available specifically for microwave cooking. These may be used.

BEFORE YOU CALL FOR SERVICE

- Check to ensure that:
 - Power supply is valid;
 - Timer settings are proper;
 - Door is securely closed engaging the door safety lock system.

RADIO INTERFERENCE

- Operation of the microwave oven can cause interference to your radio, TV or similar equipment.
- When there is interference, it may be reduced or eliminated by taking the following measures:
 - Clean door and sealing surface of the oven;
 - Move the microwave oven away from the receiver;
 - Reorient the receiving antenna of radio or television.
 - Plug the microwave oven into a different outlet so that microwave oven and receiver are on different branch circuits.

INSTALLATION

- Make sure that all the packing materials are removed from the unit.
- Check the oven for any damage in transit:
 - Misaligned or bent door and sealing;
 - Housing and door window;
 - Inside surfaces.

- If any damage occurs while using, switch off and unplug the oven and contact qualified service personnel.
- Place the microwave oven on a flat, stable surface, able to hold its weight with a food to be cooked in the oven.
- Do not place the oven where heat, moisture or high humidity are generated, or near flammable materials.
- Do not place anything on the oven. Do not block any openings on the appliance.
- For correct operation, the oven must have sufficient airflow. Allow 20 cm free space above the oven, 10 cm back and 5 cm from both sides.

SETTING THE CLOCK

- Touch CLOCK (ЧАСЫ) pad.
- Touch CANCEL (ОТМЕHA) pad.
- Use the number pads to enter the correct time.
- Touch CLOCK (ЧАСЫ) pad again.
- NOTE: This is a 12-hour clock. To reset the time of day, repeat the steps given above. You can check the clock time while cooking is in progress by touching the CLOCK(ЧАСЫ) pad.

POWER LEVEL

- Press TIME (ВРЕМЯ) pad once.
- Use the number pads to enter cooking time.
- If you want to set a power level other than 100% power, press POWER pad, and then use the number pads to enter the power level.
- Touch START (СТАРТ) to start cooking.

Number pad	% of Power
1,0	100%
9	90%
8	80%
7	70%
6	60%
5	50%
4	40%
3	30%
2	20%
1	10%
0	0%

- NOTE: If you want to temporarily stop a cooking session, press TIME pad once and then oven enter to cook set mode; or press the MEMORY pad to enter multi-stage cooking setting mode. During cooking, you can check the cooking power level by pressing POWER pad.

EXPRESS

- You can set 100% power level cooking quickly by pressing EXPRESS pad repeatedly to select a cooking time.
- Use this feature to program the oven for 4 popular microwave timings.
- With each touch of the EXPRESS (ЭКСПРЕСС) pad you can program the oven for:
 - 15 secondsTOUCH ONCE
 - 30 seconds.....TOUCH TWICE
 - 1 minute.....TOUCH 3 TIMES
 - 2 minutes.....TOUCH 4 TIMES
- The oven will operate at HIGH power (100% power output) for EXPRESS (ЭКСПРЕСС) cooking program.
- Suppose you want to set the oven to cook for 1 minute at 100% by using the feature:
- Touch the EXPRESS (ЭКСПРЕСС) pad 3 times then “1:00” will appear in the display.
- Touch START (СТАРТ) pad.

SETTING “WEIGHT DEFROST”

- Suppose you want to defrost 600g fish.
- Touch WEIGHT DEFROST (РАЗМОРОЗКА ПО ВЕСУ) pad 3 times. “d3” will appear in the display.
- Touch number pads to enter food weight.
- Touch START (СТАРТ) pad.
- NOTE: The maximum allowable weight for each category is shown below.

FOOD CATEGORY	MAXIMUM WEIGHT	DISPLAY
Meat	2300g	d1
Poultry	4000g	d2
Fish	900g	d3

- For foods exceeding these maximum weights, use the JET DEFROST (РАЗМОРОЗКА ПО ВРЕМЕНИ) program. If you program weight in excess of the maximum recommended, the oven will not operate properly.

SETTING “JET DEFROST”

- Touch JET DEFROST (РАЗМОРОЗКА) pad.
- Enter desired defrosting time by touching correct number pads. The longest time is 99 minutes 99 seconds.
- Touch START (СТАРТ) pad.

PROGRAM COOKING

- The oven has the ability to be programmed to do several consecutive functions.
 - Suppose you want set the following cooking program:
 - JET DEFROST (РАЗМОРОЗКА ПО ВРЕМЕНИ);
 - 1st stage: Cook for 5 minutes at 100%;
 - 2nd stage: Cook for 10 minutes at 50%.
- Steps:
- Touch CANCEL (ОТМЕНА) pad.
 - Touch JET DEFROST (РАЗМОРОЗКА ПО ВРЕМЕНИ) pad. do not press START pad and press MEMORY and TIME pad one by one or press TIME pad once.
 - Enter desired defrosting time by touching correct number pads.
 - Touch MEMORY (ПАМЯТЬ) pad.
 - Touch TIME (ВРЕМЯ) pad.
 - Use the number pads to 5 minutes.
 - Touch POWER (МОЩНОСТЬ), and then use the number pads to enter the power level.
 - Touch MEMORY (ПАМЯТЬ) pad.
 - Touch TIME (ВРЕМЯ) pad.
 - Use the number pads to 10 minutes.
 - Touch POWER (МОЩНОСТЬ) and then use the number pads to enter the power level.
 - Touch START (СТАРТ) pad.
 - NOTE: Jet defrost can only be selected before the cooking stage in a program. It can not be selected between or after stage1 or stage 2.

PRESET

- Preset function allows the oven to start up in a later time.
- Press PRESET pad once.
- Use the number pads to enter desired time.
- Set a cooking program (except express cooking).
- Press START pad to start.

SETTING “CHILD LOCK”

- Use to prevent unsupervised operation of the oven by little children. The CHILD LOCK indicator will show up on display screen, and the oven can not be operated while the CHILD LOCK is set.
- To set the CHILD LOCK: Press and hold the CANCEL (ОТМЕНА) button for 3 seconds, a beep sounds and LOCK indicator lights.
- To cancel the CHILD LOCK: Press and hold the CANCEL (ОТМЕНА) button for 3 seconds until lock indicator on display turns off.

CLEANING AND CARE

- The oven should be cleaned regularly, its surface should be free of any food remainders.
- Before cleaning switch off and unplug the appliance from power supply.
- Let the oven cool down completely.
- Wipe the control panel, an external, door sealing, internal surfaces and glass turntable by a damp cloth with warm soapy water and wipe dry.
- Do not use aggressive or abrasive materials.
- To avoid unpleasant smells out of the chamber make the following operation: in deep utensils, suitable for cooking in the electric oven, add a glass of water with juice of one lemon. Set the timer to 5 minutes, switch the mode control to the maximum position. After the signal take the utensils out from the chamber and wipe inside walls with a dry cloth.

STORAGE

- Be sure the appliance is unplugged.
- Complete all requirements of chapter “CLEANING AND CARE”.
- Keep electric oven with slightly opened door in a dry cool place.



The symbol on the unit, packing materials and/or documentations means used electrical and electronic units and battery's should not be tossed in the garbage with ordinary household garbage. These units should be passed to special receiving point.

For additional information about actual system of the garbage collection address to the local authority.

Valid utilization will help to save valuable resources and avoid negative work on the public health and environment which happens with incorrect using garbage.

RUS РУКОВОДСТВО ПО ЭКСПЛУАТАЦИИ МЕРЫ БЕЗОПАСНОСТИ

- ВАЖНЫЕ ИНСТРУКЦИИ ПО БЕЗОПАСНОСТИ ПРОЧТИТЕ ВНИМАТЕЛЬНО И СОХРАНИТЕ ДЛЯ ДАЛЬНЕЙШЕГО ИСПОЛЬЗОВАНИЯ
- Неправильное обращение с прибором может привести к его поломке и причинить вред пользователю.
- Перед первоначальным включением проверьте, соответствуют ли технические характеристики, указанные на изделии, параметрам электросети.

ВНИМАНИЕ! Вилка шнура питания имеет провод и контакт заземления. Подключайте прибор только к соответствующим заземлённым розеткам

- Прибор предназначен для использования только в бытовых целях согласно данному Руководству по эксплуатации. Прибор не предназначен для промышленного и коммерческого применения, а также для использования:
 - в кухонных зонах для персонала в магазинах, офисах и прочих производственных помещениях;
 - в фермерских домах;
 - клиентами в гостиницах, отелях, пансионатах и других похожих мест проживания.
- Не использовать вне помещений.
- Всегда отключайте устройство от электросети перед очисткой, или если Вы его не используете.
- Прибор не предназначен для использования лицами (включая детей) с пониженными физическими, сенсорными или умственными способностями или при отсутствии у них жизненного опыта или знаний, если они не находятся под присмотром или не проинструктированы об использовании прибора лицом, ответственным за их безопасность.
- Дети должны находиться под присмотром для недопущения игр с прибором.
- Не пытайтесь самостоятельно ремонтировать устройство. При возникновении неполадок обращайтесь в ближайший Сервисный центр.

ВНИМАНИЕ! Использование печи детьми без надзора разрешается только в том случае, если им объяснены правила безопасного использования печи и те опасности, которые могут возникнуть при ее неправильном пользовании.

- Не оставляйте включенный прибор без присмотра.
- Не используйте принадлежности, не входящие в комплект поставки.
- При повреждении шнура питания его замену, во избежание опасности, должен производить изготовитель или уполномоченный им сервисный центр, или аналогичный квалифицированный персонал.

ВНИМАНИЕ! При повреждении дверцы или дверных уплотнений с печью работать нельзя до тех пор, пока квалифицированный специалист не устранит неисправность.

ВНИМАНИЕ! Во избежание опасности повышенной утечки микроволнового излучения все ремонтные работы, связанные со снятием любых крышек, должны выполняться только специалистами.

- Следите, чтобы шнур питания не касался острых кромок и горячих поверхностей.
- Не тяните за шнур питания, не перекручивайте и не обматывайте его вокруг устройства.
- Используйте микроволновую печь только для приготовления продуктов. Ни в коем случае не сушите в ней одежду, бумагу или другие предметы.

ВНИМАНИЕ! Жидкости или другие продукты нельзя разогревать в закрытых емкостях во избежание взрыва этих емкостей.

- При нагреве напитков с помощью микроволн может иметь место последующее бурное кипение, поэтому необходимо проявлять внимание и осторожность при обращении с емкостями.
- Чтобы продукты не лопались во время приготовления, перед закладкой в печь протыкайте ножом или вилкой плотную кожуру или оболочку, например, картофеля, яблок, каштанов, колбасы и т.п.
- При нагреве в печи пищевых продуктов в посуде из пластика или бумаги необходимо наблюдать за печью, чтобы не допустить возгорания.
- Во избежание возгорания в печи необходимо:
 - избегать пригара продуктов в результате слишком продолжительного приготовления;
 - загружать продукты в микроволновую печь без упаковки, в т.ч. без фольги;
 - при появлении дыма необходимо отключить печь и держать дверцу закрытой, чтобы избежать выхода пламени.
- Не включайте печь с пустой камерой. Не используйте камеру для хранения чего-либо.
- Микроволновая печь не предназначена для консервирования продуктов.
- Не выкладывайте продукты непосредственно на дно камеры, используйте стеклянное блюдо.
- Во избежание ожогов необходимо перемешивать или взбалтывать содержимое бутылочек и баночек с детским питанием и проверять температуру пищи перед употреблением.
- Руководствуйтесь рецептами приготовления, но помните, что некоторые продукты (джемы, пудинги, начинки для пирога из миндаля, сахара или цукатов) нагреваются очень быстро.
- Во избежание короткого замыкания и поломки печи, не допускайте попадания воды в вентиляционные отверстия.
- Микроволновая печь предназначена для нагрева пищевых продуктов и напитков. Сушка пищевых продуктов или одежды и нагрев ковров, тапочек, губок, мокрой одежды и подобных вещей может привести к травме, воспламенению и пожару.

ВНИМАНИЕ:

- Продукты следует готовить в специальной посуде, а не выкладывать непосредственно на стеклянное блюдо, за исключением случаев, специально оговоренных в рецепте приготовления блюда.
- Следует использовать только посуду, предназначенную для использования в микроволновых печах.
- Пригодной для приготовления в микроволновых печах посудой следует пользоваться в строгом соответствии с инструкциями изготовителя посуды.
- Помните, что в микроволновой печи содержимое нагревается намного быстрее, чем посуда, поэтому будьте предельно внимательны при извлечении посуды из печи, осторожно открывайте крышку во избежание ожога паром.
- Предварительно удаляйте с продуктов или их упаковки металлические ленты и фольгу.
- **В микроволновых печах нельзя готовить яйца в скорлупе и разогревать сваренные вкрутую яйца, т.к. они могут взорваться даже после окончания микроволнового нагрева.**
- Ненадлежащее поддержание печи в чистом состоянии может привести к износу поверхности, что может неблагоприятно повлиять на работу прибора и создать возможную опасность для пользователя.
- Если изделие некоторое время находилось при температуре ниже 0°C, перед включением его следует выдержать в комнатных условиях не менее 2 часов.
- Производитель оставляет за собой право без дополнительного уведомления вносить незначительные изменения в конструкцию изделия, кардинально не влияющие на его безопасность, работоспособность и функциональность.
- Дата производства указана на изделии и/или на упаковке, а также в сопроводительной документации, в формате XX.XXXX, где первые две цифры «XX» – это месяц производства, следующие четыре цифры «XXXX» – это год производства.

ПОСУДА ДЛЯ МИКРОВОЛНОВОЙ ПЕЧИ

ВНИМАНИЕ! Руководствуйтесь маркировкой на посуде и указаниями производителя.

ПРИГОДНАЯ

- **Жаропрочное стекло** – наилучший материал посуды для приготовления в микроволновой печи.
- **Термостойкий пластик** – в такой посуде не следует готовить пищу с высоким содержанием жира или сахара. Нельзя использовать плотно закрывающиеся контейнеры.
- **Фаянс и фарфор** – подходят для готовки в микроволновой печи, за исключением позолоченной, посеребренной или посуды с декоративными металлическими элементами.
- **Специальная упаковка** (бумажная, пластиковая и др.), предназначенная для микроволновых печей – строго придерживайтесь указаний изготовителя.

НЕПРИГОДНАЯ

- **Пленка для хранения продуктов, а также термостойкие полиэтиленовые пакеты** – непригодны для жарки мяса и любых других продуктов.
 - **Металлическая посуда (алюминиевая, из нержавеющей стали и др.) и пищевая фольга*** – экранируют микроволны; при контакте со стенками жарового шкафа могут вызвать искрение и короткое замыкание в процессе приготовления.
- * Можно применять для оборачивания одним слоем отдельных частей продукта во избежание перегрева и пригорания. Не допускайте контакта со стенками, расстояние до них должно быть не меньше 2 см.
- **Плавкие пластики** – не подходят для приготовления в микроволновой печи.
 - **Лакированная посуда** – под воздействием микроволн лак может расплавиться.
 - **Обычное стекло (в т.ч. фигурное и толстое)** – под воздействием высоких температур может деформироваться.
 - **Бумага, соломка, дерево** – под воздействием высокой температуры могут воспламениться.
 - **Меламиновая посуда** – может поглощать микроволновое излучение, что вызывает ее растрескивание или термодеструкцию и существенно увеличивает время приготовления.

КАК ОПРЕДЕЛИТЬ, ПОДХОДИТ ЛИ ПОСУДА ДЛЯ МИКРОВОЛНОВОЙ ПЕЧИ?

- Включите печь и установите переключатель режимов работы на максимальную мощность (максимальная температура), поместите в печь на 1 минуту тестируемую посуду и поставьте рядом стакан воды (~ 250 мл).
- Посуда, пригодная для приготовления пищи в микроволновой печи останется той же температуры, что и перед установкой в печь, в то время как вода нагреется.

ПОЛЕЗНЫЕ СОВЕТЫ

- Не используйте посуду с узким горлышком, бутылки, так как они могут взорваться.
- Не используйте термометры для измерения температуры продуктов. Используйте только специальные термометры, предназначенные для микроволновых печей.

ПРЕЖДЕ ЧЕМ ОБРАТИТЬСЯ В СЕРВИС

- Если печь не включается, проверьте:
 - исправность розетки и наличие напряжения в электросети;
 - правильность установки таймера;
 - плотно ли закрыта дверца.

РАДИОПОМЕХИ

- Микроволны могут вызвать помехи при приеме теле- или радиосигналов.
- Чтобы минимизировать помехи:
 - регулярно очищайте дверцы и уплотнители;
 - устанавливайте телевизор и радиоприемник как можно дальше от микроволновой печи;

- ориентируйте приемную антенну для достижения наилучшего результата.
- подключите микроволновую печь и приемник к различным линиям электросети.

УСТАНОВКА

- Убедитесь, что внутри печи нет упаковочных материалов и посторонних предметов.
- Проверьте, не повреждены ли при транспортировке:
 - дверца и уплотнители;
 - корпус и смотровое окно;
 - стенки камеры.
- При обнаружении любых дефектов не включайте печь; обратитесь к продавцу или в сервисный центр.
- Установите микроволновую печь на ровную горизонтальную поверхность, достаточно прочную, чтобы выдержать вес печи с продуктами и посудой.
- Не размещайте печь вблизи источников тепла.
- Ничего не кладите на печь. Не перекрывайте вентиляционные отверстия.
- Микроволновую печь не следует располагать в шкафу. Для нормальной работы печи необходимо обеспечить свободное пространство для вентиляции: не менее: 20 см сверху, 10 см со стороны задней панели и не менее 5 см с боковых сторон.

ПРИЕМЫ ГОТОВКИ В МИКРОВОЛНОВОЙ ПЕЧИ

- Размещайте продукты только в один слой, более толстые куски кладите ближе к краям.
- Следите за временем приготовления, задавайте его по минимуму, постепенно увеличивая по мере необходимости. При слишком продолжительной готовке продукты могут задымиться и загореться.

ПРИМЕЧАНИЕ: Время приготовления также может изменяться в зависимости от формы, размеров и размещения продуктов. Большие или толстые куски готовятся дольше, а мелкие – быстрее.

- Накрывайте продукты специальными крышками или пластиком, отгибая один из углов для выпуска избыточного пара. Крышки очень сильно нагреваются – обращайтесь с ними осторожно!
- Для более равномерного прогрева и ускорения приготовления переворачивайте и перемешивайте продукты.
- Круглые/овальные блюда, в отличие от квадратных/прямоугольных, также обеспечивают более равномерный прогрев.
- Размораживайте продукты без упаковки в неглубоком поддоне, обязательно используя вращающееся стеклянное блюдо. Замораживая продукты, придавайте им по возможности компактную форму.
- Расстояние между продуктами, например, овощами, кексами и т.п. должно быть не меньше 2,5 см, чтобы обеспечить равномерную обработку.
- Протыкайте плотную кожуру или оболочку, чтобы избежать разрыва продукта.
- Разогревайте только готовые и охлажденные продукты, перемешивая их.
- Попкорн – строго придерживайтесь инструкций производителя и не оставляйте микроволновую печь без присмотра. Если продукт не готов в положенное время, прервите готовку. Слишком продолжительная обработка может привести к возгоранию.

ПРЕДОСТЕРЕЖЕНИЕ: Не используйте пакеты из коричневой бумаги для приготовления попкорна и не пытайтесь использовать остатки зерен. Не помещайте упаковку с попкорном непосредственно на стеклянное блюдо, кладите его на тарелку.

РАБОТА

- Подключите прибор к электросети.
- При каждом нажатии какой-либо кнопки срабатывает звуковой сигнал подтверждения нажатия.

УСТАНОВКА ТЕКУЩЕГО ВРЕМЕНИ

- Нажмите кнопку ЧАСЫ
- Нажмите кнопку ОТМЕНА
- Используя кнопки с цифрами, установите текущее время. Оно отобразится на дисплее.
- Нажмите кнопку ЧАСЫ еще раз.
- *ПРИМЕЧАНИЕ:* Время устанавливается в 12-и часовом формате. Вы можете посмотреть время в процессе приготовления, для этого нажмите кнопку ЧАСЫ.

УСТАНОВКА ВРЕМЕНИ ПРИГОТОВЛЕНИЯ

- Нажмите кнопку ВРЕМЯ.
- Используя кнопки с цифрами, установите время приготовления от 1 секунды до 99 минут 99 секунд.

НАЧАЛО РАБОТЫ

- Для начала приготовления нажмите кнопку СТАРТ.

УСТАНОВКА УРОВНЯ МОЩНОСТИ

- Вы можете выбрать мощность приготовления от 0-100%, для этого необходимо нажать кнопку МОЩНОСТЬ, и с помощью кнопок с цифрами установить требуемый уровень, согласно таблице ниже.

Номер	Мощность
1,0	100%
9	90%
8	80%
7	70%
6	60%
5	50%
4	40%
3	30%
2	20%
1	10%
0	0%

- **ПРИМЕЧАНИЕ:** Если вы хотите временно приостановить процесс приготовления, нажмите кнопку ВРЕМЯ один раз, микроволновая печь перейдет к режиму выбора способа приготовления; вы можете также нажать кнопку ПАМЯТЬ, чтобы активировать режим, состоящий из нескольких этапов. В процессе приготовления можно проверить уровень мощности, нажав кнопку МОЩНОСТЬ.

ЭКСПРЕСС ПОДОГРЕВ

- Используйте эту функцию для включения самых популярных режимов времени.
- Нажмите кнопку ЭКСПРЕСС:
 - 15 секундодно нажатие кнопки
 - 30 секунд.....двойное нажатие кнопки
 - 1 минута.....тройное нажатие кнопки
 - 2 минуты.....нажмите кнопку 4 раза
- На этом режиме прибор будет работать на максимальной мощности (100%).
- Соответствующее время будет появляться на дисплее, после чего нажмите кнопку СТАРТ.

РАЗМОРОЗКА ПО ВЕСУ

- Рассмотрим работу функции разморозки по весу на конкретном примере.
- Допустим, вам необходимо разморозить 600 грамм рыбы.
- Нажмите кнопку РАЗМОРОЗКА ПО ВЕСУ три раза. На дисплее появится надпись d3.
- С помощью кнопок с цифрами введите вес продукта.
- Нажмите кнопку СТАРТ.
- **ПРИМЕЧАНИЕ:** Ниже в таблице приведен максимальный вес каждого вида продукта.

Вид продукта	Максимальный вес	Дисплей
Мясо	2300г	d1
Птица	4000г	d2
Рыба	900г	d3

- Если максимальный вес продукта превышает указанный в таблице, используйте функцию РАЗМОРОЗКА ПО ВРЕМЕНИ.

РАЗМОРОЗКА ПО ВРЕМЕНИ

- Нажмите кнопку РАЗМОРОЗКА ПО ВРЕМЕНИ.
- С помощью кнопок с цифрами установите нужное время разморозки, не более 99 минут 99 секунд.
- Нажмите кнопку СТАРТ.

ПРИГОТОВЛЕНИЕ В НЕСКОЛЬКО ЭТАПОВ

- Прибор позволяет сочетать несколько программ. Допустим, вы хотите размораживать сначала 5 минут на мощности 100%, а затем 10 минут на мощности 50%.
- Для этого:
 - Нажмите кнопку ОТМЕНА.
 - Нажмите кнопку РАЗМОРОЗКА ПО ВРЕМЕНИ.
 - Введите необходимое время разморозки, используя кнопки с цифрами.
 - Нажмите кнопку ПАМЯТЬ.
 - Нажмите кнопку ВРЕМЯ.
 - Используя кнопки с цифрами, установите время 5 минут.
 - Нажмите кнопку МОЩНОСТЬ и выберите уровень мощности, как было описано выше.
 - Нажмите кнопку ПАМЯТЬ.
 - Нажмите кнопку ВРЕМЯ.
 - Используя кнопки с цифрами, установите время 10 минут.
 - Нажмите кнопку МОЩНОСТЬ и выберите уровень мощности, как было описано выше.
 - Нажмите кнопку СТАРТ.

ОТСРОЧКА СТАРТА

- Данная функция позволяет начать приготовление блюда в нужное вам время.
- Нажмите кнопку ОТСРОЧКА СТАРТА один раз.
- Кнопками с цифрами установите время отсрочки.
- Установите программу приготовления (исключая программу ЭКСПРЕСС).
- Нажмите кнопку СТАРТ.

НАСТРОЙКА ЗАЩИТЫ ОТ ДЕТЕЙ

- Данная функция используется для защиты прибора от включения детьми.
- Для активации данной блокировки нажмите и удерживайте кнопку ОТМЕНА в течение 3 секунд. На дисплее загорится индикатор блокировки, пока он горит, прибор нельзя открыть или нажать его кнопки.
- Чтобы снять блокировку, нажмите и удерживайте кнопку ОТМЕНА в течение 3 секунд еще раз.

ОЧИСТКА И УХОД

- Печь следует регулярно чистить и удалять с ее поверхности любые остатки пищи.
- Перед очисткой выключите и отключите печь от электросети.
- Дайте печи полностью остыть.
- Протрите панель управления, внешние и внутренние поверхности, стеклянное блюдо, уплотнители дверцы влажной тканью с моющим средством.
- Не применяйте агрессивные вещества или абразивные материалы.
- Чтобы удалить неприятный запах, налейте в какую-либо глубокую посуду, пригодную для микроволновой печи, стакан воды с соком из одного лимона, и поставьте в печь. Установите таймер на 5 минут, переключатель режимов работы в максимальное положение. Когда раздастся звуковой сигнал и печь отключится, извлеките посуду и протрите стенки камеры сухой тканью.

ХРАНЕНИЕ

- Убедитесь, что печь отключена от электросети и полностью остыла.
- Выполните все требования раздела "ОЧИСТКА И УХОД".
- Храните печь с приоткрытой дверцей в сухом чистом месте.



Данный символ на изделии, упаковке и/или сопроводительной документации означает, что использованные электрические и электронные изделия и батарейки не должны выбрасываться вместе с обычными бытовыми отходами. Их следует сдавать в специализированные пункты приема.

Для получения дополнительной информации о существующих системах сбора отходов обратитесь к местным органам власти.

Правильная утилизация поможет сберечь ценные ресурсы и предотвратить возможное негативное влияние на здоровье людей и состояние окружающей среды, которое может возникнуть в результате неправильного обращения с отходами.

UA ІНСТРУКЦІЯ З ЕКСПЛУАТАЦІЇ

- Шановний покупець! Ми вдячні Вам за придбання продукції торговельної марки SCARLETT та довіру до нашої компанії. SCARLETT гарантує високу якість та надійну роботу своєї продукції за умови дотримання технічних вимог, вказаних в посібнику з експлуатації.
- Термін служби виробу торгової марки SCARLETT у разі експлуатації продукції в межах побутових потреб та дотримання правил користування, наведених в посібнику з експлуатації, складає 2 (два) роки з дня передачі виробу користувачеві. Виробник звертає увагу користувачів, що у разі дотримання цих умов, термін служби виробу може значно перевищити вказаний виробником строк.

ЗАХОДИ БЕЗПЕКИ

- **ВАЖЛИВІ ІНСТРУКЦІЇ З БЕЗПЕКИ. ПРОЧИТАЙТЕ УВАЖНО ТА ЗБЕРЕЖІТЬ ЗАДЛЯ МАЙБУТНІХ ДОВІДОК.** Невірне використання приладу може привести до його поломки та завдати шкоду користувачеві.
- Перед першим вмиканням перевірте, чи відповідають технічні характеристики виробу, що зазначені на наклейці, параметрам електромережі.

УВАГА! Вилка шнура живлення має провід та контакт заземлення. Підключайте прилад тільки до відповідних заземлених розеток.

- Прилад призначений для використання тільки в побутових цілях. Прилад не призначений для промислового та комерційного застосування, а також для використання:
 - у кухонних зонах для персоналу в магазинах, офісах та інших виробничих приміщеннях;
 - у фермерських будинках;
 - клієнтами у готелях, мотелях, пансіонатах та інших схожих місцях проживання.
- Використовувати тільки у приміщеннях.
- Завжди відключайте пристрій з електромережі перед очищенням, або якщо Ви його не використовуєте.
- Прилад не призначений для використання особами (у тому числі дітей) зі зниженими фізичними, сенсорними чи розумовими здібностями або за відсутності в них життєвого досвіду чи знань, якщо вони не знаходяться під наглядом чи не проінструктовані про використання приладу особою, що відповідає за їхню безпеку.
- Діти повинні знаходитись під наглядом задля недопущення ігор з приладом. Не залишайте увімкнений прилад без нагляду.

- Не намагайтеся самостійно ремонтувати прилад. При виникненні неполадок звертайтеся до найближчого Сервісного центру.
 - УВАГА! Використання печі без нагляду дозволяється дітям тільки тоді, якщо їм були надані відповідні й зрозумілі інструкції про безпечне користування піччю та про ту небезпеку, яка може виникнути у разі невідповідного використання печі.
 - Не залишайте увімкнений прилад без догляду.
 - Не використовуйте приладдя, що не входить до комплекту поставки.
 - У разі пошкодження кабелю живлення його заміну, задля запобігання небезпеці, повинен здійснювати виробник, сервісна служба чи подібний кваліфікований персонал.
 - УВАГА! У разі ушкодження дверцят або ущільнювача дверцят працювати з піччю заборонено доти, поки кваліфікований спеціаліст не усуне несправність.
 - УВАГА! В цілях запобігання небезпеці підвищеного витоку мікрохвильового випромінювання усі ремонтні роботи, пов'язані зі зняттям будь-яких кришок, повинні виконуватись тільки спеціалістами.
 - Стежте, щоби шнур живлення не торкався гострих крайок та гарячих поверхонь.
 - Не тягніть за шнур живлення, не перекручуйте та не обмотуйте його навколо пристрою.
 - Використовуйте мікрохвильову піч тільки для готування їжі. Ні в якому разі не сушіть в ній одяг чи папір, або інші предмети.
 - УВАГА! Рідину або інші продукти не можна розігрівати у закритих ємностях, щоб запобігти вибуху цих ємностей.
 - При нагріванні напоїв за допомогою мікрохвиль може мати місце наступне інтенсивне кипіння, тому необхідно приділяти увагу та обережність при роботі з ємностями.
 - Щоби продукти не лопалися під час готування, перед закладкою до печі протикайте ножем, або вилкою їх шкірку, чи оболонку, наприклад, картоплі, яблук, каштанів, ковбаси та ін.
 - У разі нагрівання у печі продуктів харчування у посуді з легкозаймистих матеріалів, таких як пластик або папір, необхідно слідкувати за піччю, щоб не допустити займання.
 - Щоб уникнути займання у духовій шафі печі необхідно:
 - уникати пригорання продуктів у результаті занадто тривалого готування;
 - закладати продукти у мікрохвильову піч без упаковки, у т.ч. без фольги;
 - у випадку займання в камері, не відкриваючи дверцят, вимкніть піч та відключіть її з електромережі.
 - Не вмикайте печі з порожньою камерою. Не використовуйте камеру для збереження будь-чого.
 - Мікрохвильова піч не призначена для консервування продуктів.
 - Не викладайте продукти безпосередньо на дно камери, використовуйте скляний посуд.
 - Завжди перевіряйте температуру готової їжі, особливо, якщо вона призначена для дітей. Не подавайте блюдо до столу відразу ж після приготування, дайте йому трохи охолонути.
 - Керуйтеся рецептами приготування, але пам'ятайте, що деякі продукти (джеми, пудинги, начинки для пирога з мигдалю, цукру чи цукатів) нагріваються дуже швидко.
 - Щоб уникнути короткого замикання та пошкодження печі, не допускайте потраплення води у вентиляційні отвори.
 - Мікрохвильова піч призначена для нагрівання харчових продуктів та напоїв. Висушування харчових продуктів або одягу чи нагрівання килимків, тапочок, губок, мокрого одягу чи подібних речей може призвести до травми, загоряння або пожежі.
- УВАГА:
- Продукти варто готувати у спеціальному посуді, а не викладати безпосередньо на скляне блюдо, за винятком випадків, особливо обговорених у рецепті приготування.
 - Використовуйте тільки посуд, призначений для мікрохвильової печі.
 - Придатним для готування у мікрохвильових пічах посудом слід користуватися у строгій відповідності з інструкціями виробника посуду.
 - Пам'ятайте, що у мікрохвильовій печі вміст нагрівається набагато швидше, ніж посуд, тому будьте дуже уважні, коли виймаєте посуд з печі, обережно відкривайте кришку щоб не обваритися паром.
 - Попередньо видаляйте з продуктів, або з їх упаковки металеві стрічки та фольгу.
 - **У мікрохвильових печах не можна готувати яйця в шкарлупі та розігрівати зварені вкруту яйця, так як вони можуть вибухнути навіть після закінчення мікрохвильового розігріву.**
 - Неналежне утримання печі в чистоті може призвести до зносу поверхні, що може негативно позначитися на роботі приладу і створити потенційну небезпеку для користувача.
 - Обладнання відповідає вимогам Технічного регламенту обмеження використання деяких небезпечних речовин в електричному та електронному обладнанні.
 - Якщо виріб деякий час знаходився при температурі нижче 0°C, перед увімкненням його слід витримати у кімнаті не менше 2 годин.
 - Виробник залишає за собою право без додаткового повідомлення вносити незначні зміни до конструкції виробу, що кардинально не впливають на його безпеку, працездатність та функціональність.
 - Дата виробництва вказана на виробі та/або на пакуванні, а також у супроводжувачій документації у форматі XX.XXXX, де перші дві цифри «XX» – це місяць виробництва, наступні чотири цифри «XXXX» – це рік виробництва.

ПОСУД ДЛЯ МІКРОХВИЛЬОВОЇ ПЕЧІ

УВАГА! Керуйтеся маркіруванням на посуді та вказівками виробника.

ПРИДАТНА

- **Жаростійке скло** – найкращий матеріал посуду для готування у мікрохвильовій печі.
- **Термостійкий пластик** – у такому посуді не слід готувати їжу з високим вмістом жиру, або цукру. Не можна використовувати контейнери, що щільно закриваються.
- **Фаянс і порцеляна** – придатні для приготування у мікрохвильовій печі, за винятком посуду позолоченого, посрібленого, чи з декоративними металевими елементами.
- **Спеціальна упаковка** (паперова, пластикова, та ін.), призначена для мікрохвильових печей – строго дотримуйтесь вказівок виробника.

НЕПРИДАТНА

- **Плівка для збереження продуктів, а також термостійкі поліетиленові пакети** – непридатні для смаження м'яса та будь-яких інших продуктів.
- **Металевий посуд (алюмінієвий, з нержавіючої сталі та ін.) і продовольча фольга*** – екранують мікрохвилі; при контакті зі стінками жарової шафи можуть викликати іскріння та коротке замикання у процесі готування.

* Можна застосовувати для огортання одним шаром окремих частин продукту щоб уникнути перегріву та пригорання. Не допускайте контакту зі стінками, відстань до них повинна бути не меншою, ніж 2 см.

- **Плавкі пластики** – непридатні для готування у мікрохвильовій печі.
- **Лакований посуд** – під впливом мікрохвиль лак може розплавитися.
- **Звичайне скло (у т.ч. фігурне і товсте)** – під впливом високих температур може деформуватися.
- **Папір, соломка, дерево** – під впливом високої температури можуть зайнятися.
- **Меламіновий посуд** – може поглинати мікрохвильове випромінювання, що викликає його розтріскування, або термодеструкцію, а також істотно збільшує час приготування.
- При нагріванні в печі харчових продуктів у посуді з пластику або паперу необхідно стежити за пічкою, щоб не допустити загорання.

ЯК ВИЗНАЧИТИ, ЧИ ПРИДАТНИЙ ПОСУД ДЛЯ МІКРОХВИЛЬОВОЇ ПЕЧІ?

- Увімкніть піч, та установіть перемикач режимів роботи на максимальну потужність (максимальна температура), помістіть у піч на 1 хвилину посуд, що підлягає тестуванню, та поставте поруч склянку води (~ 250 мл).
- Посуд, придатний для готування їжі у мікрохвильовій печі залишиться приблизно тієї ж температури, що і перед установкою у піч, у той час, як вода у склянці нагріється.

КОРИСНІ ПОРАДИ

- Щоби продукти рівномірно прогрівалися перевертайте їх під час готування.
- Не використовуйте посуд з вузьким отвором, пляшки, тому що вони можуть вибухнути.
- Для виміру температури продуктів використовуйте тільки спеціальні термометри, призначені для мікрохвильових печей.

ПЕРШ, НІЖ ЗВЕРНУТИСЯ ДО СЕРВІСУ

- Якщо піч не вмикається, перевірте:
 - справність розетки та наявність напруги у електромережі;
 - правильність установки таймера;
 - чи щільно зачинені дверцята.

РАДІОПЕРЕШКОДИ

- Мікрохвилі можуть викликати перешкоди під час прийому теле-, чи радіосигналів.
- Щоб мінімізувати перешкоди:
 - регулярно очищайте дверцята та ущільнювачі;
 - розміщайте телевізор чи радіоприймач якнайдалі від мікрохвильової печі;
 - прямуйте прийомну антену для досягнення найкращого результату;
 - підключіть мікрохвильову піч та приймач до різних ліній електромережі.

УСТАНОВКА

- Переконайтеся, що усередині печі немає матеріалів від упаковки та сторонніх предметів.
- Перевірте, чи не ушкодилися при транспортуванні:
 - дверцята та ущільнювачі;
 - корпус та оглядове вікно;
 - стінки камери.
- При виявленні будь-яких дефектів не вмикайте піч; зверніться до продавця, або у сервісний центр.
- Установіть мікрохвильову піч на рівну горизонтальну поверхню, досить міцну, щоб витримати вагу печі з продуктами і посудом.
- Не розміщуйте піч поблизу теплових джерел.
- Нічого не кладіть на піч. Не перекривайте вентиляційні отвори.
- Для нормальної роботи печі необхідно забезпечити простір для вільної вентиляції: не менш: 20 см зверху, 10 см від задньої панелі та й не менш ніж 5 см з бокових сторін.

СПОСОБИ ГОТУВАННЯ У МІКРОХВИЛЬОВІЙ ПЕЧІ

- Розміщуйте продукти тільки одним шаром, товстіші шматки кладіть ближче до країв.
- Стежте за часом готування, задавайте його по мінімуму, поступово збільшуючи при необхідності. При занадто тривалому готуванні продукти можуть задиміти та й зайнятися.

ПРИМІТКА: Час готування також може змінюватися в залежності від форми, розмірів та розміщення продуктів.

Великі або товсті шматки готуються довше, а дрібні – швидше.

- Накривайте продукти спеціальними кришками або пластиком, відгинаючи один з кутів для випуску надлишкової пари. Кришки дуже сильно нагріваються – поведіться з ними обережно!
- Для більш рівномірного прогріву та прискорення готування перевертайте та перемішуйте продукти.
- Круглі/овальні блюда, на відміну від квадратних/прямокутних, також забезпечують більш рівномірний прогрів.
- Розморожуйте продукти без обгортки у неглибокому піддоні або на решітці для мікрохвильової обробки, обов'язково використовуючи скляне обертове блюдо. Заморожуючи продукти, додавайте їм по можливості компактну форму.
- Відстань між продуктами, наприклад, овочами, кексами і т.п. повинна бути не меншою за 2,5 см., щоб забезпечити рівномірну обробку.
- Протикайте щільну шкірку або оболонку, щоб уникнути розриву продукту.
- Розігривайте тільки готові та охолоджені продукти, перемішуючи їх.
- Попкорн – строго дотримуйтеся інструкції виробника та не залишайте мікрохвильову піч без нагляду. Якщо продукт у заданий час не готовий, перервіть готування. Занадто тривала обробка може привести до загоряння.

ЗАСТЕРЕЖЕННЯ: Не використовуйте пакети з коричневого папера для готування попкорну та не намагайтеся використовувати залишки зерен. Не розміщуйте огортку з попкорном безпосередньо на скляному блюді, кладіть його на тарілку.

РОБОТА

- Увімкніть прилад в електромережу.
- При кожному натисканні будь-якої кнопки спрацьовує звуковий сигнал підтвердження натискання.

НАЛАШТУВАННЯ ПОТОЧНОГО ЧАСУ

- Натисніть кнопку ГОДИННИК
- Натисніть кнопку ВІДМІНА
- Використовуючи кнопки з цифрами, встановіть поточний час. Він відобразиться на дисплеї.
- Натисніть кнопку ГОДИННИК вдруге.
- ПРИМІТКА: Час встановлюється у 12-годинному форматі. Ви можете подивитися час в процесі приготування, для цього натисніть кнопку ГОДИННИК.

НАЛАШТУВАННЯ РІВНЯ ПОТУЖНОСТІ

- Ви можете обрати потужність приготування від 0-100%, для цього необхідно натиснути кнопку ПОТУЖНІСТЬ й за допомогою кнопок з цифрами встановити потрібний рівень, згідно таблиці нижче.

Номер	% Потужність
1,0	100%
9	90%
8	80%
7	70%
6	60%
5	50%
4	40%
3	30%
2	20%
1	10%
0	0%

- ПРИМІТКА: Якщо ви бажаєте тимчасово призупинити процес приготування, натисніть кнопку ЧАС один раз, мікрохвильова піч перейде до режиму обрання способу приготування; ви можете також натиснути кнопку ПАМ'ЯТЬ, щоб активувати режим, що складається з декількох етапів. У процесі приготування можна перевірити рівень потужності, натиснувши кнопку ПОТУЖНІСТЬ.

НАЛАШТУВАННЯ ТРИВАЛОСТІ ПРИГОТУВАННЯ

- Натисніть кнопку ЧАС.
- Використовуючи кнопки з цифрами, встановіть тривалість приготування від 1 секунди до 99 хвилин 99 секунд.

ПОЧАТОК РОБОТИ

- Для початку приготування натисніть кнопку СТАРТ.
- Використовуйте цю функцію для увімкнення найпопулярніших режимів часу.
- Натисніть кнопку ЕКСПРЕС:

- 15 секундодне натискання кнопки
- 30 секунд.....подвійне натискання кнопки
- 1 хвилина.....потрійне натискання кнопки
- 2 хвилини.....натисніть кнопку 4 рази

- У цьому режимі прилад буде працювати з максимальною потужністю.
 - Відповідний час буде з'являтися на дисплеї, після чого натисніть кнопку СТАРТ.
- РОЗМОРОЖУВАННЯ ЗА ВАГОЮ**
- Розглянемо роботу функції розморожування за вагою на конкретному прикладі.
 - Допустимо, що вам необхідно розморозити 600 грамів риби.
 - Натисніть кнопку РОЗМОРОЖУВАННЯ ЗА ВАГОЮ тричі. На дисплеї з'явиться напис d3.
 - За допомогою кнопок з цифрами уведіть вагу продукту.
 - Натисніть кнопку СТАРТ.
 - ПРИМІТКА: Нижче в таблиці вказані максимальна вага кожного виду продукту.

Вид продукту	Максимальна вага	Дисплей
М'ясо	2300г	d1
Птиця	4000г	d2
Риба	900г	d3

- Якщо максимальна вага продукту перевищує вказану у таблиці, використовуйте функцію РОЗМОРОЖУВАННЯ ЗА ЧАСОМ.

РОЗМОРОЖУВАННЯ ЗА ЧАСОМ

- Натисніть кнопку РОЗМОРОЖУВАННЯ ЗА ЧАСОМ.
- За допомогою кнопок з цифрами встановіть потрібний час розморожування.
- Натисніть кнопку СТАРТ.

ПРИГОТУВАННЯ

- Прилад дозволяє сполучати декілька програм. Допустимо, ви хочете розморозувати спочатку 5 хвилин з потужністю 100%, а потім 10 хвилин з потужністю 50%.
- Для цього:
- Натисніть кнопку ВІДМІНА.
- Натисніть кнопку РОЗМОРОЖУВАННЯ ЗА ЧАСОМ.
- Введіть необхідний час розморожування, використовуючи кнопки з цифрами.
- Натисніть кнопку ПАМ'ЯТЬ.
- Натисніть кнопку ЧАС.
- Використовуйте кнопки з цифрами, встановіть час 5 хвилин.
- Натисніть кнопку ПОТУЖНІСТЬ та оберіть рівень потужності, як було описано вище.
- Натисніть кнопку ПАМ'ЯТЬ.
- Натисніть кнопку ЧАС.
- Використовуйте кнопки з цифрами, встановіть час 10 хвилин.
- Натисніть кнопку ПОТУЖНІСТЬ та оберіть рівень потужності, як було описано вище.
- Натисніть кнопку СТАРТ.

НАЛАШТУВАННЯ ЗАХИСТУ ВІД ДІТЕЙ

- Ця функція використовується для захисту приладу від увімкнення дітьми.
- Для активації цього блокування натисніть й утримуйте кнопку ВІДМІНА протягом 3 секунд. На дисплеї засвітиться індикатор блокування, поки він світиться, прилад не можна відчинити чи натискати його кнопки.
- Щоб зняти блокування, натисніть та утримуйте кнопку ВІДМІНА протягом 3 секунд вдруге.

ВІДКЛАДЕННЯ СТАРТУ

- Ця функція дозволяє почати приготування страви в потрібний час.
- Натисніть кнопку ВІДКЛАДЕННЯ СТАРТУ один раз.
- Кнопками з цифрами встановіть час відкладення.
- Встановіть програму приготування (за виключенням програми ЕКСПРЕС).
- Натисніть кнопку СТАРТ.

ОЧИЩЕННЯ ТА ДОГЛЯД

- Піч слід регулярно чистити й усувати з її поверхні будь-які залишки їжі.
- Перед очищенням вимкніть та відключіть піч з електромережі.
- Дайте печі цілком охолонути.
- Протріть панель керування, зовнішні та внутрішні поверхні, скляне блюдо вологою тканиною з м'яким засобом.
- Не застосовуйте агресивні речовини, або абразивні матеріали.
- Щоб видалити неприємний запах, налейте у який-небудь глибокий посуд, придатний для мікрохвильової печі, склянку води із соком одного лимона, та поставте у піч. Установіть таймер на 5 хвилин, а перемикач режимів роботи – на максимум. Коли пролунає звуковий сигнал і піч вимкнеться, витягніть посуд та протріть стінки камери сухою тканиною.

ЗБЕРЕЖЕННЯ

- Переконайтеся, що піч відключена з електромережі і цілком охолонула.
- Виконайте усі вимоги розділу "ОЧИЩЕННЯ ТА ДОГЛЯД".
- Зберігайте піч з напіввідчиненими дверцятами у сухому чистому місці.



Цей символ на виробі, упаковці та/або в супровідній документації означає, що електричні та електронні вироби, а також батарейки, що були використані, не повинні викидатися разом із звичайними побутовими відходами. Їх потрібно здавати до спеціалізованих пунктів прийому.

Для отримання додаткової інформації щодо існуючих систем збору відходів зверніться до місцевих органів влади.

Належна утилізація допоможе зберегти цінні ресурси та запобігти можливому негативному впливу на здоров'я людей і стан навколишнього середовища, який може виникнути в результаті неправильного поводження з відходами.

KZ ПАЙДАЛАНУ БАСШЫЛЫҒЫ

- Құрметті сатып алушы! SCARLETT сауда таңбасының өнімін сатып алғаныңыз үшін және біздің компанияға сенім артқаныңыз үшін Сізге алғыс айтамыз. Іске пайдалану нұсқаулығында суреттелген техникалық талаптар орындалған жағдайда, SCARLETT компаниясы өзінің өнімдерінің жоғары сапасы мен сенімді жұмысына кепілдік береді.
- SCARLETT сауда таңбасының бұйымын тұрмыстық мұқтаждар шеңберінде пайдаланған және іске пайдалану нұсқаулығында келтірілген пайдалану ережелерін ұстанған кезде, бұйымның қызмет мерзімі бұйым тұтынушыға табыс етілген күннен бастап 2 (екі) жылды құрайды. Аталған шарттар орындалған жағдайда, бұйымның қызмет мерзімі өндіруші көрсеткен мерзімнен айтарлықтай асуы мүмкін екеніне өндіруші тұтынушылардың назарын аударады.

ҚАУІПСІЗДІК ӨЛШЕМДЕРІ

- АУІПСІЗДІК БОЙЫНША МАҢЫЗДЫ МӘЛІМЕТТЕР. МҰҚИЯТ ОҚЫП ШЫҒЫҢЫЗ ДА, БОЛАШАҚТА ҚАРАУ ҮШІН САҚТАП ҚОЙЫҢЫЗ. Бұйымды дұрыс қолданбау оның бұзылуына әкелуі және сізге зиян келтіруі мүмкін.
- Алғашқы қосудың алдында бұйымның техникалық сипаттамасының жапсырмадағы, электр жүйесінде көрсетілген параметрлеріне сәйкестігін тексеріңіз.

НАЗАР! Қоректену бауының шаңышқысының сымы және жерлендіру контактісі бар. Құралды тек қана лайықты – жерлендірілген розеткаларға іске қосыңыз.

- Аспап тек тұрмыстық мақсаттарда ғана пайдалануға арналған. Аспап өнеркәсіптік және сауда-саттық мақсатында қолдануға, сондай-ақ мына жерлерде пайдалануға арналмаған:
 - дүкендердегі, кеңселердегі және басқа да өнеркәсіптік үй-жайлардағы қызметкерлерге арналған асүй аймақтарында;
 - фермерлердің үйлерінде;
 - қонақүйлерде, мотельдерде, пансионаттарда және соларға ұқсас тұрғын жайларда клиенттердің пайдалануына арналмаған.
- Жайдан тыс қолданылмайды.
- Жабдықты тазалаудың алдында немесе Сіз оны қолданбасаңыз электр жүйесінен әрқашан сөндіріп тастаңыз.
- Дене, жүйке не болмаса ақыл-ой кемістігі бар, немесе осы құрылғыны қауіпсіз пайдалану үшін тәжірибесі мен білімі жеткіліксіз адамдардың (соның ішінде балалардың) қауіпсіздігі үшін жауап беретін адам қадағаламаса немесе аспапты пайдалану бойынша нұсқау бермесе, олардың бұл аспапты қолдануына болмайды.
- Балалар аспаппен ойнамауы үшін оларды үнемі қадағалап отыру керек. Тоққа қосылған аспапты бақылаусыз қалдырмаңыз.
- Құрылғыны өз бетіңізше жөндеуге талпынбаңыз. Олқылықтар пайда болса жақын арадағы сервис орталығына апарыңыз.

ЕСКЕРТУ! Дұрыс қолданбаған кезде пайда болуы мүмкін қауіптер және пешті қауіпсіз қолдану туралы тисті түрде нұсқаулық түсіндірілген жағдайда ғана балаларға пешті қадағалаусыз қолдануға рұқсат етіледі.

- Қараусыз қосылған құралды қалдырмаңыз.
- Бересі жинаққа енгізілмеген керек-жарақтарды қолданбаңыз.
- Қуат сымы бүлінген жағдайда, қатерден аулақ болу үшін оны ауыстыруды өндіруші немесе ол уәкілеттік берген сервис орталығы немесе соған ұқсас білікті қызметкерлер іске асыруға тиіс.

ЕСКЕРТУ! Есікшеде немесе есікше нығыздауышында ақау болған жағдайда, білікті маман ақауды жоюға дейін пешпен жұмыс жасауға болмайды.

ЕСКЕРТУ! Қысқа толқынды сәулелену өтімінің жоғарылау қауіпінен қашу үшін, кезкелген қақпағын түсірумен байланысты барлық жөндеу жұмыстары тек қана маманмен атқарылуға тиісті.

- Қоректену бауының өткір жиектер және ыстық үстілерге тимеуін қадағалаңыз.
- Қоректену бауынан тартпаңыз, оны ширатпаңыз және құрылғының тұлғасын айнала орамаңыз.
- Микротолқынды пешті тек қана азықтарды даярлауға қолданыңыз. Еш жағдайда оған киімді, қағазды немесе басқа заттарды кептірмеңіз.

ЕСКЕРТУ! Ыдыстардың жарылуын болдырмау үшін сұйық немесе басқада тамақтарды жабық ыдыстарда қыздыруға болмайды.

- Сусындарды қысқа толқындар көмегімен қыздырған жағдайда бүлкілдеп қайнауға ұласуы мүмкін, сондықтан, ыдыстарды қолданған кезде байқап және сақ болу керек.
- Өнімдерді даярлау кезінде жарылмауы үшін, пешке салар алдында тығыз қабығын не терісін пышақпен немесе шаңышқымен тесіңіз, мысалы, картоптың, алманың, каштанның, шұжықтың және т.б.
- Пластик немесе қағаз сияқты тез жанатын материалдардан жасалған ыдыста азықтық тамақтарды пеште қыздырған кезде, жануын болдыртпау үшін пешті бақылап отыру керек.

- Пештің үрленетін шкафы жанбауы үшін қажет:
 - өнімдердің өте ұзаққа созылған даярлық нәтижесінде күйуінен қашқақтау;
 - өнімдерді микротолқынды пешке орамасыз салып, сондай-ақ фольгасыз пісіру;
 - камера тұтанған кезде, есігін ашпай пешті өшіріңіз және оны электр жүйесінен сөндіріп тастаңыз.
- Пешті бос камерамен қоспаңыз. Камераны бірдеңе сақтауға қолданбаңыз.
- Микротолқынды пеш азықтарды консервілеуге арналмаған.
- Азықтарды тікелей камера түбіне қоймаңыз, шыны табақты пайдаланыңыз.
- Дайын азықтың температурасын әрқашан тексеріңіз, әсіресе, егер ол балалар үшін арналса. Даярлықтан кейін табақты лезде үстелге әкелмеңіз, оған аздап суынуға мұрша беріңіз.
- Даярлық рецептерін басшылыққа алыңыз, бірақ есте сақтаңыз, кейбір өнімдер (джемдер, пудингілер, ішіне бадам қант немесе цукаттар салынған пирог) өте жылдам қыздырылады.
- Қысқа тұйықталу және пештің бұзылмауы үшін, желдету тесіктеріне су тигізбеңіз.
- Шағын толқынды пеш тағам өнімдері мен сусындарды жылытуға арналған. Тағам өнімдерін немесе киімді кептіру және кілемше, шәрке, жөке, дымқыл киім және сол сияқты басқа заттарды қыздыру жарақатқа, олардың тұтануына және өрт шығуына әкелуі мүмкін.

НАЗАР:

- Азықтарды тікелей шыны табаққа емес, арнайы ыдыста даярлау керек, тек арнайы рецеппен даярлайтын кезден ғана.
- Тек қана микротолқынды пештерге микротолқынды ыдысты қолданыңыз.
- Микротолқынды пеште даярлауға жарамды ыдысты оны әзірлеушінің нұсқауларымен қатал сәйкестікте пайдалану керек.
- Есте сақтаңыздар, микротолқынды пештегі ыдыстан бұрын ішіндегісі едәуір жылдам қыздырылады, сондықтан пештен ыдысты шығарар алдында бумен күйіп қалмау үшін ықыласты болыңыз, қақпақты сақ ашыңыз.
- Өнімдерден алдын ала олардың орама бауын немесе металл және фольганы алып тастыңыз.
- **Микротолқынды пештерде жұмыртқаны қабығымен дайындауға және қатты піскен жұмыртқаны жылытуға болмайды, себебі олар микротолқынды қыздыру аяқталғаннан кейін де жарылып кетуі мүмкін.**
- Пешті таза күйінде ұстамау бетінің тозуына алып келеді, бұл аспаптың жұмысына кері әсерін тигізуі және пайдаланушы үшін ықтимал қауіп тудыруы мүмкін.
- Егер бұйым біршама уақыт 0°C-тан төмен температурада тұрса, іске қосар алдында оны кем дегенде 2 сағат бөлме температурасында ұстау керек.
- Өндіруші бұйымның қауіпсіздігіне, жұмыс өнімділігі мен жұмыс мүмкіндіктеріне түбегейлі әсер етпейтін болмашы өзгерістерді оның құрылмасына қосымша ескертпестен енгізу құқығын өзінде қалдырады.
- Жасап шығарылған күні бұйымда және (немесе) қаптамада, сондай-ақ ілеспе құжаттамада, XX.XXXX пішімінде көрсетілген, мұндағы алғашқы екі сан «XX» – жасап шығарылған айы, келесі төрт сан «XXXX» – жасап шығарылған жылы.

МИКРОТОЛҚЫНДЫ ПЕШКЕ АРНАЛҒАН ЫДЫС

НАЗАР! Ыдыстағы таңбалармен және өндірушінің нұсқауларын басшылыққа алыңыз.

ЖАРАМДЫ

- **Қызуға төзімді шыны** – микротолқынды пеште даярлауға арналған ыдыстың ең жақсы материалы.
- **Термоқұшті пластик** – сондай ыдыста майы немесе қанты көп азықты даярлауға болмайды. Тығыз жабылатын контейнерлерді қолдануға болмайды.
- **Фаянс және фарфор** – микротолқынды пеште дайарау үшін жарамды, тек алтынданған, күмістелінген немесе сәндік металл элементтері бар ыдыс болмайды.
- **Арнайы орама** (қағаз, пластикалық және т.б.), микротолқынды пешке арналған – әзірлеушінің нұсқауларын бұлжытпай ұстаныңыз.

ЖАРАМСЫЗ

- **Өнімдердің сақтауына арналған қабыршақ, сонымен қатар термоқұшті полиэтилендік пакеттер** – етті және басқа азықтарды қуыруға жарамсыз.
 - **Металл ыдыс (алюминийлік, тоттанбайтын болаттан т.б.) және тамақтық фольга*** – микротолқындарды экрандайды; даярлау барысында қабырғаларға тисе – қуыру шкафта шоқтау және қысқа тұйықталу жасайды.
- Қызып және күйіп кетпеу үшін*** азықтың бөлек бөлімдерінің бір қабат қана орауға болады. Қабырғаларға тиуге жол бермеңіз, оларға дейінгі ара қашықтық 2 см. кем емес болуы тиісті.
- **Балқығыш пластиктар** – микротолқынды пеште даярау үшін жаарамайды.
 - **Лактанған ыдыс** – микротолқындардың әсерінен лак балқуы мүмкін.
 - **Әдеттегі шыны (сонымен бірге фигуралық және жуан)** – жоғары қызулардың әсерінен формасы өзгеруі мүмкін.
 - **Қағаз, сабан, ағаш** – жоғары қызу әсерінен тұтануы мүмкін.
 - **Меламинды ыдыс** – микротолқынды сәулелерді жұта алады, бұл оның шытынауына немесе термодеструкция соқтырады және даярлау уақытын едәуір ұлғайтады.
 - Пеште тағам өнімдерін пластмассадан немесе қағаздан жасалған ыдыста қыздырған кезде, жанып кетпеуі үшін пешті қадағалау керек.

МИКРОТОЛҚЫНДЫ ПЕШКЕ АРНАЛҒАН ЫДЫСТЫ ҚАЛАЙ АНЫҚТАУҒА БОЛАДЫ?

- Барынша көп қуаттылыққа жұмыс тәртіптерінің ауыстырып қосқышын пісіру және орнатуға қосыңыздар (барынша көп температура), сыйғызыңыздар тестіленетін ыдысты 1 минутқа пісіру және су стаканы қасында қойыңыздар (~ 250 мл).
- Ыдыс, жарамды ана микротолқынды ошақтар азық даярлығына арналған қалады ғой температураның, не және құрудың алдында пісіру, сол уақытта су жылынады.

ПАЙДАЛЫ КЕҢЕСТЕР

- Даярлық уақытына олардың өнімдердің біркелкі жылытуына арналған төңкеріңіздер.
- Тар кеңірдекпен ыдысты қолдану, шөлмектің, дәл осылай қалай олар жарыла алады.
- Өнімдердің температура өлшеуіне арналған термометрлерді қолдану. Арнайы термометрлер тек қана қолданыңыздар, арналғандар микротолқынды ошақтардың артынан.

СЕРВИСКЕ БҰРЫЛМАС БҰРЫН

- Егер пісіруге қосылмаса, тексеріңіздер:
 - Розетка тұзулік және электр жүйесінде күштену барысы;
 - Таймер құру дұрыстығы;
 - Тығыз есік жабық.

РАДИОТОСҚАУЫЛДАР

- Қабылдау жанында микротолқындар бөгеттерді шақыра алады денеде – немесе радиосигналдардың.
- Бөгеттер минимизация жасау үшін:
 - Есіктер және есіктер мен тығыздағыштар;
 - Микротолқынды ошақтан алысырақ болады қалай теледидар және радиоқабылдағышты қондырыңыздар;
 - Ең жақсы нәтиже жетуіне арналған қабылдау антеннаны ыңғайын табыңыздар.
 - Пісіру микротолқынды қосыңыздар және электр жүйесі әртүрлі сызықтарына қабылдағыш.

ҚҰРУ

- Көзі жетесіздер, не ошақ ішінде буып-түйетін материалдардың және бөтен заттарды жоқ.
- Тексеріңіздер, зақымдалған емес тасу жанында:
 - Есіктер мен тығыздағыштар;
 - Дене және байқау терезе;
 - Камера қабырғалары.
- Табылуда – ақауларды пісіруге қоспаңыздар; сатушыға немесе сервисті орталыққа бұрыласыздар.
- Тегіс горизонтальдық бетке пісіру микротолқынды орнатыңыздар, жеткілікті берікті, өнімдермен және ыдыспен ошақ салмағы шыдау үшін.
- Қайнарлар жақын маңда пісіруге орналастырмаңыздар тепла.
- Ештеңе қойып қоймаңыздар пісіру. Желдету тесіктерді қайта жаппаңыздар.
- Үшін ошақ нормалы жұмыстары желдетуге арналған азат кеңістік қажетті қамсыздандыру: кемірек емес: 20 см сверху, 10 см артқы панель жағынан және кемірек емес 5 см жақ жақтардан.

МИКРОТОЛҚЫНДЫ ОШАҚТАР ДАЙЫНДЫҚ ҚАБЫЛДАУЛАРЫ

- Азықтарды тек қана бір қабат орналастырыңыз, жуан кесектер шетіне жақынырақ қойыңыз.
 - Даярлық уақытының ар жағында қадағалаңыздар, минимуммен оның сұрау қойыңыздар, қажеттілік өлшемімен бірте-бірте үлкейті. Өте ұзаққа созылғанның дайындыққа өнімдер түтей алады және тұтану.
- ЕСКЕРТУ:* Даярлау уақыты сонымен қатар азықтардың түрі, мөлшері және орналастырылуына тәуелді өзгере алады. Үлкен немесе жуан кесектер ұзағырақ әзірленеді, ал майдалары – тезірек.
- Азықтарды арнайы қақпақшалармен немесе пластикпен бір ұшын артық будың шығуы үшін қайырып жабыңыз, шығаруға арналған бұрыштардың екі. Қақпақшалар өте қатты қызады – олармен сақ болыңыз!
 - Үшін біркелкі жылыту көбірек және даярлық тездетулері өнімдерді төңкеріңіздер және араластырыңыздар.
 - Дөңгелектер | сопақ табақтың, айырмашылыққа квадраттардың тік бұрыштылардың, біркелкі жылыту көбірек сонымен қатар қамсыздандырады.
 - Азықтарды орамасыз терең емес тұғырықта немесе микротолқынды өңдеуге арналған торда айналмалы шыны табақты міндетті қолданып жібітіңіз. Өнімдерді тоңазытқанда, оларға мүмкіндігінше ықшам түрді беріңіз.
 - Азықтардың ара қашықтығы біркелкі өңдеуді қамсыздандыру үшін, мысалы, көкөністермен, кекстермен және т.б., 2,5 см аз емес болуға тиіс.
 - Азықтың жарылмауы үшін тығыз қабығын немесе тысын тесіңіз.
 - Тек қана дайын және мұздалған азықтарды оларды араластыра қыздырыңыз.
 - Попкорн – өндірушінің нұсқауларын қатал ұстаныңыз және микротолқынды пешті қарусыз қалдырмаңыз. Егер азық тиісті уақытта дайын болмаса, пісіруді тоқтатыңыз. Өте ұзаққа созылған өңдеу өртенуге әкелуі мүмкін.
- САҚТЫҚ:* Попкорнды даярлау үшін қызыл қоңыр қағаздан жасалған пакеттерді қолданбаңыз және дөңгелектердің қалдықтарын қолдануға тырыспаңыз. Попкорнның орамасын тікелей шыны табаққа орналастырмаңыз, оны төрелкеге қойыңыз.

ЖҰМЫСЫ

- Аспапты электр желісіне жалғаңыз.
- Қандай да бір түйме әр басылған сайын басылғанын растайтын дыбыстық белгі іске қосылады.

АҒЫМДАҒЫ УАҚЫТТЫ ОРНАТУ

- ЧАСЫ (сағат) түймесін басыңыз.
- ОТМЕНА (болдырмау) түймесін басыңыз.
- Цифрлы түймелердің көмегімен ағымдағы уақытты орнатыңыз. Ол дисплейде көрсетіледі.

- ЧАСЫ (сағат) түймесін тағы бір рет басыңыз.
 - ЕСКЕРТПЕ: Уақыт 12 сағаттық пішімде орнатылады. Тамақ дайындау кезінде уақытты қарауға болады, ол үшін ЧАСЫ (сағат) түймесін басыңыз.
- ҚУАТТЫЛЫҚ ДЕҢГЕЙІН ОРНАТУ**
- Тамақ дайындау қуатын 0-100% аралығында таңдауға болады, бұл үшін МОЩНОСТЬ (қуаттылық) түймесін басып, цифрлы түймелердің көмегімен төмендегі кестеге сәйкес керекті деңгейді орнату қажет.

Нөмір	% Қуаттылық
1,0	100%
9	90%
8	80%
7	70%
6	60%
5	50%
4	40%
3	30%
2	20%
1	10%
0	0%

- ЕСКЕРТПЕ: Егер тамақ дайындауды уақытша тоқтата тұрғыңыз келсе, ВРЕМЯ (уақыт) түймесін бір рет басыңыз, қысқа толқынды пеш тамақ дайындау тәсілін таңдау режиміне ауысады, сондай-ақ бірнеше кезеңнен тұратын режимді іске қосу үшін ПАМЯТЬ (жады) түймесін басуға да болады. Тамақ дайындау барысында МОЩНОСТЬ (қуат) түймесін басу арқылы қуат деңгейін тексеруге болады.

ТАМАҚ ДАЙЫНДАУ УАҚЫТЫН ОРНАТУ

- ВРЕМЯ (уақыт) түймесін басыңыз.
 - Цифрлы түймелердің көмегімен тамақ дайындау уақытын 1 секундтан 99 минут 99 секундқа дейін орнатыңыз.
- ЖҰМЫСТЫ БАСТАУ**

- Тамақ дайындауды бастау үшін СТАРТ (бастау) түймесін басыңыз.

ЖЫЛДАМ ДАЙЫНДАУ

- Ең жиі қолданылатын уақыт режимдерін іске қосу үшін осы функцияны пайдаланыңыз.
- ЭКСПРЕСС түймесін басыңыз:
 - 15 секундтүймені бір рет басу
 - 30 секунд.....түймені екі рет басу
 - 1 минут.....түймені үш рет басу
 - 2 минут.....түймені 4 рет басыңыз

- Осы режимде аспап ең үлкен қуаттылықпен жұмыс істейтін болады.
- Дисплейде тиісті уақыт пайда болады, содан кейін СТАРТ (бастау) түймесін басыңыз.

САЛМАҚ БОЙЫНША ЖІБІТУ

- Салмақ бойынша жібіту функциясын нақты мысал келтіріп қарастырайық.
- Айталық, сізге 600 грамм балық жібіту қажет.
- РАЗМОРОЗКА ПО ВЕСУ (салмақ бойынша жібіту) түймесін үш рет басыңыз. Дисплейде d3 жазуы пайда болады.
- Цифрлы түймелердің көмегімен азық-түліктің салмағын енгізіңіз.
- СТАРТ (бастау) түймесін басыңыз.
- ЕСКЕРТПЕ: Төмендегі кестеде азық-түліктің әр түрінің ең үлкен салмағы келтірілген.

Азық-түліктің түрі	Ең үлкен салмақ	Дисплей
Ет	2300 г	d1
Құс еті	4000 г	d2
Балық	900 г	d3

- Егер азық-түліктің ең үлкен салмағы кестеде келтірілген салмақтан асып кетсе, РАЗМОРОЗКА ПО ВРЕМЕНИ (уақыт бойынша жібіту) функциясын пайдаланыңыз.

УАҚЫТ БОЙЫНША ЖІБІТУ

- РАЗМОРОЗКА ПО ВРЕМЕНИ (уақыт бойынша жібіту) түймесін басыңыз..
- Цифрлы түймелердің көмегімен керекті жібіту уақытын орнатыңыз.
- СТАРТ (бастау) түймесін басыңыз.

ТАМАҚ ДАЙЫНДАУ

- Аспап бірнеше бағдарламаны ұштастыруға мүмкіндік береді. Мысалы, сіз әуелі 100% қуатпен 5 минут, содан кейін 50% қуатпен 10 минут жібіткіңіз келеді дейік.
- Бұл үшін:
- ОТМЕНА (болдырмау) түймесін басыңыз.
- РАЗМОРОЗКА ПО ВРЕМЕНИ (уақыт бойынша жібіту) түймесін басыңыз..

- Цифрлы түймелерді пайдалана отырып қажетті жібіту уақытын енгізіңіз.
- ПАМЯТЬ (жады) түймесін басыңыз.
- ВРЕМЯ (уақыт) түймесін басыңыз.
- Цифрлы түймелердің көмегімен уақытты 5 минут етіп орнатыңыз.
- МОЩНОСТЬ (қуаттылық) түймесін басыңыз да, жоғарыда сипатталғандай, қуаттылық деңгейін таңдаңыз.
- ПАМЯТЬ (жады) түймесін басыңыз.
- ВРЕМЯ (уақыт) түймесін басыңыз.
- Цифрлы түймелердің көмегімен уақытты 10 минут етіп орнатыңыз.
- МОЩНОСТЬ (қуаттылық) түймесін басыңыз да, жоғарыда сипатталғандай, қуаттылық деңгейін таңдаңыз.
- СТАРТ (бастау) түймесін басыңыз.

БАЛАЛАРДАН ҚОРҒАУ ПАРАМЕТРЛЕРІН ОРНАТУ

- Бұл функция аспапты балалардың іске қосуынан қорғау үшін пайдаланылады.
- Осы бұғаттаманы белсенді ету үшін ОТМЕНА (болдырмау) түймесін басыңыз да, 3 секунд бойы ұстап тұрыңыз. Дисплейде бұғаттау индикаторы жанады, ол жанып тұрғанда аспапты ашуға немесе оның түймелерін басу мүмкін емес.
- Бұғаттаманы ағыту үшін ОТМЕНА (болдырмау) түймесін тағы бір рет басыңыз да, 3 секунд бойы ұстап тұрыңыз.

КЕШІКТІРІП БАСТАУ

- Бұл функция тағам дайындауды өзіңізге керек кезде бастауға мүмкіндік береді.
- ОТСРОЧКА СТАРТА (кешіктіріп бастау) түймесін бір рет басыңыз.
- Цифрлы түймелердің көмегімен кешіктіріп бастау уақытын орнатыңыз.
- Тамақ дайындау бағдарламасын орнатыңыз (ЭКСПРЕСС бағдарламасын қоспағанда).
- СТАРТ (бастау) түймесін басыңыз.

ТАЗАЛАУ ЖӘНЕ КҮТІМ

- Пешті тұрақты түрде тазарту және оның бетінен кез келген тағам қалдығын жою керек.
- Тазалаудың алдында электр жүйесінен пісіруге өшіріңіздер және сөндіріп тастаңыздар.
- Ошақтар толық суынуға беріңіз.
- Жуатын құралмен дымқыл матамен басқару панель, сыртқы және ішкі беттер, шыны табақты сүртіңіздер.
- Агрессиялық заттар немесе қайрақ материалдарды қолданбаңыздар.
- Жағымсыз иіс қашықтату үшін, қандай болмасын терең ыдысқа құйыңыздар, жарамдыны микротолқынды ошақтардың артынан, су стаканы бір лимоннан шырынмен, және қойыңыздар пісіру 5 минутқа таймер, барынша көп жайға жұмыс тәртіптерінің ауыстырып қосқышын орнатыңыздар. Қашан дыбысты сигнал естіледі және сөніп қалуға пісіру, извлеките ыдысты және матамен құрғақ камера қабырғалары сүртіңіздер.

САҚТАУ

- Көзі жетесіздер, не электр жүйесінен сөндірілгенге пісіру және толық суынды.
- Бөлім талаптары барлық орындаңыздар “ТАЗАЛАУ ЖӘНЕ КҮТІМ”.
- Құрғақ таза орында есікпен аздап ашықпен пісіруге сақтаңыздар.



■ Өнімдегі, қораптағы және/немесе қосымша құжаттағы осындай белгі қолданылған электрлік және электрондық бұйымдар мен батареялар кәдімгі тұрмыстық қалдықтармен бірге шығарылмауы керек дегенді білдіреді. Оларды арнайы қабылдау бөлімшелеріне өткізу қажет.

Қалдықтарды жинау жүйелері туралы қосымша мәліметтер алу үшін жергілікті басқару органдарына хабарласыңыз.

Қалдықтарды дұрыс кәдеге жарату бағалы ресурстарды сақтауға және қалдықтарды дұрыс шығармау салдарынан адамның денсаулығына және қоршаған ортаға келетін теріс әсерлердің алдын алуға көмектеседі.

EST KASUTUSJUHEND OHUTUSNÕUANDED

- TÄHTSAD OHUTUSJUHENDID. LUGEGE NEED TÄHELEPANELIKULT LÄBI JA SÄILITAGE TULEVASEKS KASUTAMISEKS.
- Väär kasutus võib põhjustada seadme riket ja seadme kasutaja tervist kahjustada.
- Enne seadme esimest voluvõrku lülitamist kontrollige, et seadme etiketil osutatud andmed vastaksid kohaliku voluvõrgu andmetele.

TÄHELEPANU! Toitejuhtme pistikul on olemas maandusjuhe ja –kontakt. Ühendage seade ainult vastava maandusega pistikuga.

- Seade on ette nähtud ainult kodukasutamiseks. Seade ei ole ette nähtud tööstuslikuks ja ärialaseks kasutamiseks, samuti kasutamiseks:
 - kaupluste, kontorite, ja muude tööruumide personali kööginurkades;
 - talumajades;
 - klientidel hotellides, hotellides, pansionaatides ning muudes sellistes majutuskohtades.
- Ärge kasutage seadet väljas.
- Eemaldage seade voluvõrgust enne selle puhastamist ning ajaks, mil seda ei kasutata.

- Seadet ei tohi kasutada isikud (kaasa arvatud lapsed), kelle füüsilised, tunnetuslikud või vaimsed võimed on alanenud, või kellel puuduvad sellekohased kogemused ja teadmised, kui nad ei ole kontrolli all või kui neid ei ole juhendanud isik, kes vastutab nende ohutuse eest.
- Lapsed peavad olema kontrolli all, ärge lubage lastel seadmega mängida.
- Ärge püüdke antud seadet iseseisvalt remontida. Vea kõrvaldamiseks pöörduge lähima teeninduskeskuse poole.
- Toitejuhtme vigastamise korral tohib selle ohu vältimiseks vahetada tootja, selleks volitatud hoolduskeskus või muu kvalifitseeritud personal.

TÄHELEPANU! Lastepoolt mikrolaineahju kasutamine täiskasvanute järelvalveta on lubatud ainult sel juhul, kui on antud vastavad ja lastele arusaadavad juhendid ohutust ahju kasutamisest ning nendest ohtudest, mis võivad tekkida selle valel kasutamisel.

- Ärge jätke töötavat seadet järelvalveta.
- Ärge kasutage tarvikuid, mis ei kuulu komplekti.
- Ärge kasutage seadet vigastatud toitejuhtmega.
- Toitejuhtme vigastuse korral peab selle ohu vältimiseks asendama tootja, tema volitatud teeninduskeskus või muu analoogiline kvalifitseeritud personal.

TÄHELEPANU! Ukse ja uksetihendite rikke korral ei tohi kasutada ahju seni, kuni kvalifitseeritud spetsialist eemaldab vea.

TÄHELEPANU! Mikrolaineikiirguse suurema väljavoolu vältimiseks peavad kõik remonditööd, mis on seotud mistahes ukse eemaldamisega, olema teostatud ainult spetsialistide poolt.

- Jälgige seda, et juhe ei puutuks vastu teravaid servi ja kuumi pindu.
- Ärge tõmmake toitejuhtmest, keerake seda krussi, ega ümber korpuse.
- Kasutage mikrolaineahju ainult toidu valmistamiseks. Ärge kuivatage selles riideid, pabereid või muid esemeid.

TÄHELEPANU! Vedelikke ja teisi toiduaineid ei tohi soojendada kinnistes anumates nende anumate lõhkemise vältimiseks.

- Jookide soojendamine mikrolainete abil võib tekitada ägedat keemist, sellepärast on vaja olla tähelepanelik ja ettevaatlik anumate kasutamisel.
- Et toiduained ei läheks valmistamise ajal lõhki, enne mikrolaineahjusse panemist, tehke kartulite, õunte, kastanite kõvas kooses jms auke noaga või kahvliga.
- Toiduainete soojendamisel anumatest, mis on kergesti süttivatest materialidest, nt. plastmass või paber, on vajalik jälgida ahju, et vältida süttimist.
- Mikrolaineahjus süttimise vältimiseks on vajalik:
 - vältida toidu kinnikõrbemist pikaajalise valmistamise tulemusena;
 - panna toiduained mikrolaineahju sisse ilma pakendita, sh ilma fooliumpakendita;
 - süttimise korral, ärge avage ust, lülitage ahi välja ja eemaldage see vooluvõrgust.
- Ärge lülitage tühja kambri ahju sisse. Ärge kasutage kambrit millegi hoidmiseks.
- Mikrolaineahi ei ole ette nähtud toiduainete konserveerimiseks.
- Ärge asetage toiduaineid otse kambri põhjale, kasutage resti või alust.
- Alati kontrollige valmistoidu temperatuuri, eriti, kui see on ette nähtud lastele. Ärge andke rooga lauale kohe pärast valmissaamist, laske sellel enne serveerimist natuke jahtuda.
- Pidage retseptidest kinni, kuid hoidke meeles, et mõned toiduained (moosid, pudingud, mandli-, suhkru, sukaaditäidised) lähevad kuumaks väga kiiresti.
- Lühiühenduse ja ahju riknemise vältimiseks ärge laske veel sattuda ventilatsioonivõrku.
- Mikrolaineahi on ette nähtud toiduainete ja jookide soojendamiseks. Toiduainete või rõivaste kuivatamine ning vaibakeste, susside, käsnaade, märgade rõivaste jne soojendamine võib põhjustada trauma, süttimise ja tulekahju.

TÄHELEPANU:

- Toiduvalmistamiseks kasutage spetsiaalseid nõusid, ärge asetage toitu vahetult klaasalusele, v.a juhtumitel, kui see on retseptis soovitatud.
- Kasutage ainult nõusid, mis on ette nähtud mikrolaineahjus kasutamiseks.
- Mikrolaineahjus kasutamiseks sobivaid nõusid kasutage vastavalt tootja instruksioonidele.
- Pidage meeles, et toit kuumeneb mikrolaineahjus kiiremini kui nõud, seepärast olge ettevaatlik ahjust nõude väljatõstmise ajal, olge ettevaatlik kaane avamisel, väljuv aur võib tuua kaasa põletusi.
- Eemaldage eelnevalt toiduainetelt või nende pakenditelt metallribad ja foolium.
- **Mikrolaineahjudes ei tohi küpsetada koorega mune ega soojendada keedetud mune, sest need võivad plahvatada isegi pärast mikrolainekeemutuse lõppemist.**
- Ahi tohib puhtada regulaarselt
- Kui toode on olnud mõnda aega õhutemperatuuril alla 0 °C, tuleb hoida seda enne sisselülitamist vähemalt 2 tundi toatemperatuuril.
- Tootja jätab endale õiguse teha ilma täiendava teatamiseta toote konstruktsiooni ebaolulisi muudatusi, mis ei mõjuta selle ohutust, töövoimet ega funktsioneerimist.
- Tootmisaeg on näidatud tootel ja/või pakendil, samuti saatedokumentidel, formaadis XX.XXXX, kus esimesed kaks numbrit XX tähendavad tootmiskuud, järgmised neli numbrit XXXX aga tootmisaastat.

KÜPSETUSNÕUD

TÄHELEPANU! Vaadake märgistust toidunõude peal ja järgige tootja instruksioone.

KÖLBLIK

- **Kuumakindel klaas** – sobivaim nõude materjal.

- **Soojakindel plastmass** – ärge kasutage rasva- ja suhkrurikka toidu valmistamiseks. Ärge sulgege tihedalt kaant.
- **Fajanss ja portselan** – sobivad mikrolaineahjus kasutamiseks, v.a kullatud, hõbetatud või dekoratiivsete metallelementidega.
- **Spetsiaalne pakend** (paber, plastmass jt.), mis on mõeldud mikrolaineahjus kasutamiseks – järgige rangelt tootja instruktsioone.

KÕLBMATU

- **Kile toiduainete säilitamiseks, samuti ka soojakindlad kilekotid** – ei kõlba liha ja teiste toiduainete küpsetamiseks.
- **Metallnõud (alumiinium, mitteroostetav teras jt.) ning foolium*** – ekraneerivad mikrolaineid; kambriseintega kokkupuutumisel võivad tekitada sädemeid ja lühiühendust toiduvalmistamise ajal.
- * Eri toidutükke, mis võivad üle küpseda või kõrbedada, võib ühe fooliumkihiga katta. Ärge laske seintega kokkupuutumist, minimaalne vahe 2 cm.
- **Sulav plastmass** – ei sobi mikrolaineahjus kasutamiseks.
- **Lakitud nõud** – mikrolainete mõju all lakk võib lahti sulada.
- **Tavaline klaas (sh ka vigurlik ja paks)** – kõrge temperatuuri mõju all võib deformeerida.
- **Paberist ja puust nõud, vitspunutised** – kõrge temperatuuri mõju all võib süttida.
- **Melamiin nõud** – võib mikrolaineikiirgust neelata, mis viib nõu lõhenemisele või termodestruktsioonile ja pikendab valmistamisaega.

KUIDAS TEADA SAADA, KAS NÕUD SOBIB MIKROLAINEAHJUS KASUTAMISEKS?

- Lülitage mikrolaineahi sisse ja keerake töötamise režiimide ümberlüüti täisvõimsusele (maksimaalne temperatuur), asetage nõud koos veega täidetud klaasiga (~ 250 ml) ahju 1 minutiks.
- Mikrolaineahjus kasutamiseks sobiv nõud säilitab oma temperatuuri samal ajal, kui vesi kuumeneb.

KASULIKUD NÕUANDED

- Toiduainete ühtlaseks küpsemiseks keerake need valmistamise ajal ümber.
- Ärge kasutage kitsa kaelaga nõusid, pudeleid, sest nad võivad lõhki minna.
- Ärge kasutage kraadiklaasi toiduainete temperatuuri mõõtmiseks. Kasutage ainult mikrolaineahjus kasutamiseks mõeldud termomeetreid.

ENNE TEENINDUSKESKUSE POOLE PÖÖRDUMIST

- Kui ahi ei lülitu sisse, kontrollige:
 - pistiku korrasolekut ja pinge olemasolu võrgus;
 - taimeri paigalduse õigsust;
 - kas uks on tihedalt suletud.

RAADIOHÄIRED

- Mikrolained võivad tekitada raadio- ja telesignaalihäireid.
- Häirete minimeerimiseks:
 - puhastage regulaarselt ukсед ja metalltihendid;
 - paigutage televiisor ja raadio mikrolaineahjust võimalikult kaugemale;
 - orienteerige vastuvõtuantenn parima tulemuse saavutamiseks;
 - ühendage mikrolaineahi ja raadio erinevasse vooluvõrku.

PAIGALDUS

- Veenduge, et pakendi osad ei jäänud ahju sisse.
- Kontrollige, et ahju osad ei ole teisaldamisel vigastatud:
 - uks ja tihendid;
 - korpus ja vaateaken;
 - kambri seinad.
- Kahtluste korral võtke ühendust müüjaga või pöörduge teeninduskeskuse poole.
- Asetage mikrolaineahi tasasele horisontaalsele pinnale, mis peaks toiduainete ja nõudega ahju kaalule vastu.
- Ärge paigutage ahju kuumaallikate lähedusse.
- Ärge midagi pange ahju peale, ärge katke ventilatsioonivärsid.
- Ahju tõhusaks töötamiseks tuleb ventileerimiseks tagada vaba ruumi vähemalt: 20 cm ülevalt, 10 cm tagant ja 5 cm külgedest.

TOIDUVALMISTAMINE MIKROLAINEAHJUS

- Asetage toiduained ühe kihiga, paksemad osad pange aluse serva poole.
- Jälgige valmistamisaega, paigaldage see minimaalseks, vajaduse korral järk-järgult pikendage aega. Väga pikka valmistamise korral võivad toiduained hakata suitsu ajama ning süttida.

MÄRKUS: Valmistamisaega võib muutuda ka sõltuvalt toiduainete vormist, suuruselt ja paigaldamisest. Suurte ja pakside tükkide valmistamisaeg on pikem.

- Katke toiduained spetsiaalsete kaante või kilega, keerates selle äär üles liigse auru väljalaskmiseks. Olge ettevaatlik – kaaned lähevad väga kuumaks!
- Ühtlaseks küpsetamiseks ja valmistamise kiirendamiseks keerake toiduained ümber ning segage need.
- Ümar/ovaalne vaagen tagab ühtlasema küpsetamise kui ruudukujuline/ristkülikuline vaagen.
- Sulatage pakendita toiduained üles mitte sügavas anumast või restil koos pöörleva klaasalusega. Külmutades toiduained andke neile kompaktset vormi.
- Ühtlase töötlemise tagamiseks peab vahemaa toiduainete, nt köögiviljade, kekside vahel olema vähemalt 2.5 cm.
- Tehke kõvas koostes või kattes auke, et toiduained ei läheks lõhki.

- Soojendage ainult jahutatud valmisroad, segades läbi.
 - Popkorn – järgige rangelt tootja instruksioone ning ärge jätke mikrolaineahju järelvalveta. Kui toit ei ole määratud ajaks valmis, katkestage valmistamist. Liigne pikaajaline töötlemine võib viia süttimiseni.
- ETTEVAATUS:** Ärge kasutage popkorni valmistamiseks pruune paberkotte ning ärge kasutage terade jääke. Ärge asetage pakendis popkorn vahetult klaasalusele, pange see taldrikule.

KASUTAMINE

- Ühendage seade vooluvõrku.
- Mis tahes nupule vajutamisel annab seade helisignaali.

KASUTUSAJA SEADMINE

- Vajutage nupule ЧАСЫ (TUNNID)
- Vajutage nupule ОТМЕHA (TÜHISTMINE)
- Kasutades numbritega nuppe seadke jooksev aeg. See tuleb nähtavale näidikul.
- Vajutage nuppu ЧАСЫ (TUNNID) veel üks kord.
- MÄRKUS: Aeg seatakse 12 tunni formaadis. Te võite vaadata aega toiduvalmistamise protsessis, vajutades nupule ЧАСЫ (TUNNID).

VÕIMSUSE TASEME SEADMINE

- Te võite valida toiduvalmistamise võimsuse 0-100%, milleks tuleb vajutada nupule МОЩНОСТЬ (VÕIMSUS) ning seada numbrinuppude abil vajalik tase, nagu on näidatud tabelis allpool.

Number	% Võimsus
1,0	100%
9	90%
8	80%
7	70%
6	60%
5	50%
4	40%
3	30%
2	20%
1	10%
0	0%

- MÄRKUS: Kui soovite toiduvalmistamisprotsessi ajutiselt katkestada, vajutage nupule AEG üks kord, mikrolaineahi läheb üle valmistamisviisi valiku režiimile; te võite vajutada ka nupule МÄЛУ, et aktiveerida režiimi, mis koosneb mitmest etapist. Valmistamisprotsessis saab kontrollida võimsustaset, vajutades nupule VÕIMSUS.

VALMISTUSAJA SEADMINE

- Vajutage nupule ВРЕМЯ (AEG).
- Kasutades numbrinuppe, seadke valmistusaeg 1 sekundist kuni 99 minuti ja 99 sekundini.

TÖÖ ALUSTAMINE

- Toidu valmistamise alustamiseks vajutage nupule СТАРТ (START).

EKSPRESSFUNKTSIOON

- Kasutage seda funktsiooni kõige populaarsemate ajarežiimide lülitamiseks.
- Vajutage nupule ЭКСПРЕСС (EKSPRESS):
 - 15 sekunditüks nupuvajutus
 - 30 sekundit.....kaks nupuvajutust
 - 1 minut.....kolm nupuvajutust
 - 2 minutit.....vajutage nupule 4 korda
- Sellel režiimil töötab seade maksimaalse võimsusega.

- Vastav valmistusaeg ilmub näidikule, mispeale vajutage nuppu СТАРТ (START).

SULATAMINE VASTAVALT KAALULE

- Käsitlege sulatusfunktsiooni kaalu järgi konkreetse näite eeskujul.
- Oletagem, et teil on vaja sulatada 600 grammi kala.
- Vajutage nupule SULATAMINE KAALU JÄRGI kolm korda. Näidikule ilmub kiri d3.
- Numbrinuppudega sisestage toiduaine kaal.
- Vajutage nupule СТАРТ (START).
- NÄRKUS: Allpool on esitatud iga toiduaine maksimaalne kaal.

Toiduaine liik	Maksimaalne kaal	Näidik
Liha	2300 g	d1
Linnuliha	4000 g	d2
Kala	900 g	d3

- Kui toiduaine maksimaalne kaal ületab tabelis esitatud, kasutage funktsiooni SULATAMIE AJA JÄRGI.

SULATUS AJA JOOKSUL

- Vajutage nupule РАЗМОРОЗКА ПО ВРЕМЕНИ (SULATUS AJA JOOKSUL)
- Seadke numbrinuppudega vajalik sulatusaeg.
- Vajutage nupule СТАРТ (START).

TOIDUVALMISTAMINE

- Seade võimaldab ühitada mitut programmi. Näiteks te soovite sulatada alguses 5 minutit võimsusel 100%, aga seejärel 10 minutit võimsusel 50%.
- Selleks:
 - Vajutage nupule ОТМЕHA (TÜHISTAMINE).
 - Vajutage nupule РАЗМОРОЗКА ПО ВРЕМЕНИ (SULATAMINE AJA JOOKSUL).
 - Sisestage vajalik sulatusaeg, kasutades numbrinuppe.
 - Vajutage nupule ПАМЯТЬ (MÄLU).
 - Vajutage nupule ВРЕМЯ (AEG).
 - Kasutades numbrinuppe, seadke aeg 5 minutit.
 - Vajutage nupule МОЩНОСТЬ (VÕIMSUS) ja valige võimsustase, nagu oli kirjeldatud ülalpool.
 - Vajutage nupule ПАМЯТЬ (MÄLU).
 - Vajutage nupule ВРЕМЯ (AEG).
 - Kasutades numbrinuppe, seadke aeg 10 minutit.
 - Vajutage nupule МОЩНОСТЬ (VÕIMSUS) ja valige võimsuse tase, nagu oli kirjeldatud ülalpool.
 - Vajutage nupule СТАРТ (START).

KAITSE LASTE EEST

- Seda funktsiooni kasutatakse, et lapsed ei saaks seadet sisse lülitada.
- Blokeeringu aktiveerimiseks vajutage ja hoidke nuppu ОТМЕHA (TÜHISTAMINE) all 3 sekundit. Näidikul süttib blokeeringu indikaator ning kuni see põleb, ei saa seadet avada või selle nuppudele vajutada.
- Blokeeringu tühistamiseks vajutage nupule ОТМЕHA (TÜHISTAMINE) ja hoidke seda veel kord 3 sekundi jooksul allavajutatuna.

ALGUSE AJASTAMINE

- See funktsioon võimaldab alustada toidu valmistamist teile sobival ajal.
- Vajutage nupule ALGUSE AJASTAMINE üks kord.
- Seadke numbrinuppudega alustamisaeg.
- Seadke valmistamisprogramm (välja arvatud programm EKSPRESS).
- Vajutage nupule START.


PUHASTAMINE JA HOOLDUS

- Ahi tohib puhtada regulaarselt ja eemaldada ahju pinnalt toidujätted.
- Enne puhastamist lülitage ahi välja ja eemaldage seade vooluvõrgust.
- Laske ahjul maha jahtuda.
- Pühkige juhtimispaneel, välised ja sisemised pinnad, klaasalus niiske riidega koos pesuvahendiga.
- Ärge kasutage abrasiivseid vahendeid ja materjale.
- Et saada lahti ebameeldivast lõhnast, valage anumasse, mis on kõlblik mikrolaineahjus kasutamiseks, klaas vett ühe sidruni mahlaga, pange ahju. Keerake taimer 5 minutile, töötamise režiimide lüliti maksimaalsesse asendisse. Kui ahi lülitub helisignaaliga välja, siis tõstke anum välja ja pühkige kambriseinad kuiva riidega.

HOIDMINE

- Veenduge, et ahi on vooluvõrgust eemaldatud ja täielikult maha jahtunud.
- Täitke PUHASTAMISE JA HOOLDUSE nõudmised.
- Hoidke ahju praakil uksega kuivas puhtas kohas.



-  Antud sümbol tootel, pakendil ja/või saatedokumentatsioonis tähendab, et kasutatud elektrilisi ja elektroonilisi tooteid ja patareisid ei tohi ära visata koos tavaliste olmejäätmetega. Need tuleb anda ära spetsialiseeritud vastuvõtupunktidesse.
- Täiendava informatsiooni saamiseks olemasolevatest jäätmete kogumise süsteemidest pöörduge kohalike võimuorganite poole.
- Õige utiliseerimine aitab hoida kokku hinnalisi ressursse ning ennetada võimalikku negatiivset mõju inimeste tervisele ja ümbritseva keskkonna olukorrale, mis võib tekkida jäätmete ebaõige käitlemise tulemusel.

LV LIETOŠANAS INSTRUKCIJA **DROŠĪBAS NOTEIKUMI**

- SVARĪGAS DROŠĪBAS INSTRUKCIJAS. IZLASIET UZMANĪGI UN SAGLABĀJIET TURPMĀKAI UZZIŅAI.
- Nepareiza ierīces lietošana var radīt tās bojājumus un lietotāja veselības kaitējumus.
- Pirms pirmreizējās ieslēgšanas pārbaudiet, vai ierīces tehniskie raksturojumi, kas norādīti uz uzlīmes, atbilst elektrotīkla parametriem.

UZMANĪBU! Barošanas vada kontaktdakšai ir vads un zemējuma kontakts. Ierīci pieslēdziet tikai pie atbilstoši saņemtajām rozetēm.

- Ierīce paredzēta izmantošanai tikai sadzīves vajadzībām. Ierīce nav paredzēta rūpnieciskai vai komerciālai izmantošanai, kā arī izmantošanai:
 - veikalu personāla virtuves zonās, birojos un citās ražošanas telpās;
 - lauksaimnieku mājās;
 - klientiem viesnīcās, moteļos, pansionātos un līdzīgās apmešanās vietās.
- Neizmantojiet ārpus telpām.
- Vienmēr atvienojiet ierīci no elektrotīkla pirms tās tīrīšanas, vai arī tad, ja Jūs to neizmantojat.
- Ierīce nav paredzēta izmantošanai personām (ieskaitot bērnus) ar pazeminātām fiziskām, sensoriskām vai intelektuālām spējām, kā arī personām bez dzīves pieredzes vai zināšanām, ja viņas nekontrolē vai nav instruējusi ierīces lietošanā persona, kura atbild par viņu drošību
- Bērni ir jākontrolē, lai nepieļautu spēlēšanos ar ierīci
- Necentieties patstāvīgi labot ierīci vai nomainīt jebkādas detaļas. Ierīces bojājuma gadījumā dodieties uz tuvāko Servisa centru.
- Barošanas vada bojājuma gadījumā, drošības pēc, tā nomaina jāuztic ražotājam vai tā pilnvarotam servisa centram, vai arī analogiskam kvalificētam personālam.

UZMANĪBU! Bērni bez uzraudzības drīkst izmantot krāsni tikai gadījumā, ja viņiem ir dotas attiecīgas un saprotamas instrukcijas par drošu krāsni izmantošanu un par bīstamībām, kuras var rasties ar to nepareizi rīkojoties.

- Neatstājiet ieslēgtu ierīci bez uzraudzības.
- Neizmantojiet piederumus, kas neietilpst pamatnes komplektā.
- Neaizmantojiet ierīci ar bojātu barošanas vadu.
- Barošanas vada bojājuma gadījumā, drošības pēc, tā nomaina jāuztic ražotājam, servisa dienestam vai analogiskam kvalificētam personālam

UZMANĪBU! Gadījumā, ja tiek bojātas durtiņas vai durtiņu blīvējumi, ar krāsni strādāt nedrīkst, kamēr kvalificēts speciālists nenovērsīs bojājumu.

UZMANĪBU! Lai novērstu mikroviļņu starojuma paaugstinātu noplūdi, visi remontdarbi, kas ir saistīti ar jebkuru vāku noņemšanu, ir jāveic tikai speciālistiem.

- Sekojiet līdzi, lai barošanas vads nepieskartos klāt asām malām un karstām virsmām.
- Nevelciet aiz barošanas vada, negrieziet un neaptiniet to ap ierīci.
- Mikroviļņu krāsni izmantojiet tikai produktu pagatavošanai. Nekādā gadījumā nežāvējiet tajā drēbes, papīru vai citus priekšmetus.

UZMANĪBU! Šķidrumus vai citus produktus nedrīkst uzsildīt slēgtos traukos, lai šie trauki neuzsprāgtu.

- Uzsildot dzērienus ar mikroviļņu palīdzību, var notikt turpmāka stipra vārīšanās, tāpēc jābūt uzmanīgam ar traukiem.
- Lai produkti gatavošanas laikā neplaisātu, pirms ievietošanas krāsnī iegrieziet ar nazi vai sadurstiet ar dakšu biezo mizu vai apvalku, piemēram, kartupeļiem, āboliem, kastaņiem, desai utml.
- Uzsildot krāsnī pārtikas produktus traukos no viegli uzliesmojošiem materiāliem, tādiem kā plastmasa vai papīrs, jāpieskata krāsns, lai nepieļautu aizdegšanos.
- Lai izvairītos no uzliesmošanas krāsns kamerā nepieciešams:
 - izvairīties no produktu piededzināšanas pārāk ilgas gatavošanas rezultātā;
 - ievietot produktus mikroviļņu krāsnī bez iepakojuma, t.sk. bez folijas;
 - uzliesmošanas gadījumā kamerā, neveriet vaļā durvis, izslēdziet krāsni un atvienojiet to no elektrotīkla.
- Neieslēdziet krāsni ar tukšu kameru. Neizmantojiet kameru kaut kā glabāšanai.
- Mikroviļņu krāsns nav paredzēt produktu konservēšanai.
- Nenovietojiet produktus tieši uz kameras pamatnes, izmantojiet noņemamo režģi vai paliktņi.
- Vienmēr pārbaudiet gatavā ēdiena temperatūru, īpaši, ja tas ir paredzēts bērniem. Nepasniedziet ēdienu uzreiz pēc tā pagatavošanas, ļaujiet tam nedaudz atdzist.
- Sekojiet līdzi gatavošanas receptēm, bet atcerieties, ka daži produkti (džemi, pudiņi, pīrāga pildījums no mandelēm, cukura vai sukādēm) uzkarst ļoti ātri.
- Lai izvairītos no īssavienojuma un krāsns bojājumiem, nepieļaujiet ūdens iekļūšanas ventilācijas atvērumos.
- Mikroviļņu krāsns paredzēta pārtikas produktu un dzērienu uzsildīšanai. Pārtikas produktu vai drēbju žāvēšana, kā arī paklāju, čību, sūkļu, slapju drēbju un līdzīgu priekšmetu sildīšana var izraisīt traumu, aizdegšanos un ugunsgrēku.

UZMANĪBU:

- Produktus ieteicams gatavot speciālos traukos, nevis likt tieši uz stikla traukiem, izņemot gadījumus, kas speciāli atrunāti ēdiena pagatavošanas receptē.
- Izmantojiet tikai tos traukus, kas paredzēti mikroviļņu krāsnīm.
- Trauki, kas derīgi lietošanai mikroviļņu krāsnīs, jālieto atbilstoši trauku ražotāja instrukcijai.
- Atcerieties, ka mikroviļņu krāsnī saturs uzkarst daudz ātrāk par trauku, tāpēc esiet īpaši uzmanīgi izņemot trauku no krāsns, uzmanīgi atveriet vāciņu, lai izvairītos no tvaika radītiem apdegumiem.

- Iepriekš no produktiem vai to iepakojumiem noņemiet metāliskās lentas un foliju.
- **Mikroviļņu krāsnī nedrīkst gatavot veselās olas un uzsildīt cieti vārītas olas, jo tās var uzsprāgt arī pēc mikroviļņu sildīšanas beigām.**
- Krāsns tīrības nepienācīga uzturēšana var izraisīt virsmas nodilumu, kas var nelabvēlīgi ietekmēt ierīces darbību un radīt iespējamus draudus lietotāja veselībai.
- Ja izstrādājums kādu laiku ir atradies temperatūrā zem 0°C, pirms ieslēgšanas tas ir jāpatur istabas apstākļos ne mazāk kā 2 stundas.
- Ražotājs patur sev tiesības bez papildu brīdinājuma ieviest izstrādājuma konstrukcijā nelielas izmaiņas, kas būtiski neietekmē tā drošību, darbību un funkcionalitāti.
- Izgatavošanas datums ir norādīts uz izstrādājuma un/vai iepakojuma, kā arī pavaddokumentos, formātā XX.XXXX, kur pirmie divi cipari XX ir izgatavošanas mēnesis, nākamie četri XXXX – izgatavošanas gads.

TRAUKU MIKROVIĻŅU KRĀSNĪM

UZMANĪBU! Vadieties pēc esošā marķējuma un ražotāja norādījumiem uz traukiem.

DERĪGI

- **Karstumizturīgs stikls** – vislabākais trauka materiāls gatavošanai mikroviļņu krāsnī.
- **Termoizturīga plastmasa** – šādā traukā nav ieteicams gatavot ēdienu ar augstu tauku vai cukura daudzumu. Nedrīkst izmantot blīvi aizveramus konteinerus.
- **Fajanss un porcelāns** – derīgs gatavošanai mikroviļņu krāsnī, izņemot traukus ar apzeltījumiem, apsudrabojuumiem un dekoratīviem metāliskiem elementiem.
- **Speciāls iepakojums** (papīra, plastmasas u.c.), paredzēts mikroviļņu krāsnīm – stingri sekojiet līdzi ražotāja norādījumiem.

NEDERĪGI

- **Plēve produktu glabāšanai, kā arī termoizturīgi polietilēna maisiņi** – nav derīgi gaļas un jebkuru citu produktu cepšanai.
- **Metāliski trauki (alumīnija, nerūsējošā tērauda u.c.) un pārtikas folija*** – ekranē mikroviļņus; saskarsmē ar karstumskapja sienām var izraisīt dzirksteļošanu un īssavienojumu gatavošanas laikā.
- * Var izmantot produkta atsevišķu daļu vienkārtīgai ietīšanai, lai izvairītos no pārkarsēšanas vai piedegšanas. Nepieļaujiet saskari ar sienām, attālums no tām nedrīkst būt mazāks par 2 cm.
- **Kūstoša plastmasa** – nav piemērota gatavošanai mikroviļņu krāsnī.
- **Lakoti trauki** – mikroviļņu iedarbības rezultātā laka var izkust.
- **Parastais stikls (t.sk. figūrstikls un biežais)** – augstas temperatūras iedarbībā var deformēties.
- **Papīrs, salmi, koks** – augstas temperatūras iedarbībā var uzliesmot.
- **Melamīna trauki** – var absorbēt mikroviļņu starojumu, kas izsauc to plaisāšanu vai termodestrukciju un būtiski palielina gatavošanas laiku.

KĀ NOTEIKT VAI TRAUKS IR DERĪGS MIKROVIĻŅU KRĀSNĪM?

- Ieslēdziet krāsni un uzstādiat darba režīmu slēdzi uz maksimālo jaudu (maksimālā temperatūra), ievietojiet krāsnī uz 1 minūti testējamo trauku un novietojiet blakus glāzi ar ūdeni (~ 250ml).
- Trauks, kas ir derīgs ēdiena pagatavošanai mikroviļņu krāsnī paliks tādā pašā temperatūrā, kā pirms ievietošanas krāsnī, tajā laikā, kad uzsils ūdens.

DERĪGI PADOMI:

- Vienmērīgai produktu uzsildīšanai apmaisiet tos gatavošanas laikā.
- Neizmantojiet traukus ar šauru kakliņu, pudeles, tās var uzsprāgt.
- Neizmantojiet termometrus produktu temperatūras mērīšanai. Izmantojiet tikai speciālos termometrus, paredzētus mikroviļņu krāsnīm.

PIRMS DŪTIES UZ SERVISU

- Ja krāsns neieslēdzas pārbaudiet:
 - vai rozete nav bojāta un strāvas esamību elektrotīklā;
 - taimera uzstādīšanas pareizību;
 - vai durvis ir cieši aiztaisītas.

RADIOTRAUCĒJUMI

- Mikroviļņi var izraisīt radio un televīzijas signāla traucējumus.
- Lai samazinātu traucējumus:
 - regulāri tīriet durvis un metāliskos blīvētājus;
 - televizoru un radio uzstādiat pēc iespējas tālāk no mikroviļņu krāsns;
 - noregulējiet antenu, lai sasniegtu vislabāko rezultātu.
 - pieslēdziet mikroviļņi krāsni un uztvērēju pie atsevišķām elektrotīkla līnijām.

UZSTĀDĪŠANA

- Pārliecinieties, ka mikroviļņu krāsnī nav iepakojamā materiāla un blakus priekšmetu.
- Pārbaudiet, vai transportēšanas laikā, nav bojāts:
 - durvis vai metāliskie blīvētāji;
 - korpuss un durvju lodziņš;
 - kameras sienas.
- Jebkuru defektu konstatēšanas gadījumā neieslēdziet krāsni; dodieties pie pārdevēja uz servisa centru.
- Novietojiet mikroviļņu krāsni uz līdzenas, horizontālas virsmas, pietiekami izturīgas, lai tā izturētu krāsns svaru ar traukiem un produktiem.

- Nenovietojiet krāsni blakus siltuma avotiem.
- Neko novietojiet uz krāsns. Neaizsedziet ventilācijas atvērumus.
- Normālai krāsns darbībai nepieciešams nodrošināt brīvu starpu ventilācijai: ne mazāku par 20 cm no augšas, 10 cm no aizmugurējā paneļa puses un ne mazāk par 5 cm no sāniem.

GATAVOŠANAS PAŅĒMIENI MIKROVIĻŅU KRĀSNĪ

- Produktus lieciet tikai vienā kārtā, īpaši biežus gabalus novietojiet tuvāk malām.
- Sekojiet līdzi gatavošanas laikam, uzstādiat minimālāko, nepieciešamības gadījumā pakāpeniski palielinot. Pārāk ilgas gatavošanas laikā produkti var sākt dūmot un aizdegties.

PIEZĪME: Gatavošanas laiks var mainīties atkarībā no produktu formas, izmēriem un novietojamības. Lieli vai bieži gabali gatavošanas ilgāk, mazāki – ātrāk.

- Apsedziet produktus ar speciāliem vāciņiem vai plastiku, atliecot vienu no stūriem tvaika izvadei. Vāciņi stipri uzkarst – apejieties ar tiem ļoti uzmanīgi!
- Pēc iespējas vienmērīgākai uzsildīšanai un gatavošanas paātrināšanai apgrieziet un apmaisiet produktus.
- Apaļie/ovālie trauki, atšķirībā no kvadrātveida/taisnstūrveida, nodrošina vienmērīgāku uzsildīšanu.
- Produktus atkausējiet bez iepakojuma ne dziļā paliktnī vai uz režģa mikroviļņu apstrādei, obligāti izmantojiet rotējošu stikla bļodu. Produktus saldējot, piedodiet tiem pēc iespējas kompaktāku formu.
- Attālumam starp produktiem, piemēram, dārzeni, ķeksēm utml. Jābūt ne mazākam par 2,5 cm, lai nodrošinātu vienmērīgu apstrādi.
- Caurduriet biezo mizu vai apvalku, lai izvairītos no produkta pārsprāgšanas.
- Sildiet tikai gatavus un atdzesētus produktus, apmaisiet tos.
- Popkorns – stingri ievērojiet ražotāja instrukciju un neatstājiet mikroviļņu krāsni bez uzraudzības. Ja produkts nav gatavs pēc paredzētā laika, apturiet gatavošanu. Pārāk ilga apstrāde var izraisīt aizdegšanos.

BRĪDINĀJUMS: popkorna pagatavošanai neizmantojiet iepakojumu no brūna papīra un nacentieties izmantot graudu atlikumus. Nenovietojiet iepakojumu ar popkornu tieši uz stikla bļodas, lieciet to uz šķīvjā.

DARBĪBA

- Pievienojiet ierīci elektrotīklam.
- Katru reizi, nospiežot kādu pogu, atskan nospiešanas apstiprinājuma signāls.

PAŠREIZĒJĀ LAIKA UZSTĀDĪŠANA

- Piespiediet pogu "ЧАСЫ" (PULKSTENIS)
- Piespiediet pogu "ОТМЕHA" (ATCELŠANA)
- Izmantojot ciparu pogas, uzstādiat pašreizējo laiku. Tas būs redzams displejā.
- Piespiediet pogu "ЧАСЫ" (PULKSTENIS) vēlreiz.
- **PIEZĪME:** Laiks uzstādāms 12 stundu formātā. Lai gatavošanas procesā paskatītos pašreizējo laiku, piespiediet pogu "ЧАСЫ" (PULKSTENIS).

JAUDAS LĪMEŅA UZSTĀDĪŠANA

- Gatavošanas jaudu var izvēlēties intervālā no 0 līdz 100%. Šim nolūkam piespiediet pogu "МОЩНОСТЬ" (JAUDA) un ar ciparu pogu palīdzību ievadiet nepieciešamo jaudas līmeni atbilstoši zemāk esošai tabulai.

Skaitlis	Jauda, %
1,0	100%
9	90%
8	80%
7	70%
6	60%
5	50%
4	40%
3	30%
2	20%
1	10%
0	0%

- **PIEZĪME:** Ja jūs vēlaties uz laiku apturēt gatavošanas procesu, piespiediet pogu LAIKS vienu reizi, mikroviļņu krāsns pāries gatavošanas veida izvēles režīmā; jūs varat piespiest arī pogu ATMIŅA, lai aktivizētu režīmu, kas sastāv no vairākiem posmiem. Gatavošanas procesā var pārbaudīt jaudas līmeni, piespiežot pogu JAUDA.

GATAVOŠANAS LAIKA UZSTĀDĪŠANA

- Piespiediet pogu "ВРЕМЯ" (LAIKS).
- Izmantojot ciparu pogas, ievadiet gatavošanas laiku intervālā no 1 sekundes līdz 99 minūtēm un 99 sekundēm.

DARBA UZSĀKŠANA

- Lai uzsāktu gatavošanu, piespiediet pogu "СТАРТ" (STARTS).

ĀTRĀ (EKSPRES) GATAVOŠANA

- Izmantojiet šo funkciju vispopulārāko laika režīmu ieslēgšanai.
- Piespiediet pogu "ЭКСПРЕСС" (ĀTRĀ GATAVOŠANA):
 - 15 sekundes viens pogas piespiediens
 - 30 sekundes divi pogas piespiedieni

- 1 minūte trīs pogas piespiedieni
- 2 minūtes četri pogas piespiedieni

- Šajā režīmā ierīce darbosies ar maksimālo jaudu.
- Kad attiecīgais laiks parādīsies displejā, piespiediet pogu "СТАРТ" (STARTS).

ATKAUSĒŠANA PĒC SVARA

- Aplūkosim atkausēšanas pēc svara funkcijas darbību uz konkrēta piemēra.
- Pieņemsim, ka jāatkausē 600 g zivs.
- Piespiediet pogu "РАЗМОРОЗКА ПО ВЕСУ" (ATKAUSĒŠANA PĒC SVARA) trīs reizes. Displejā parādīsies uzraksts d3.
- Ar ciparu pogu palīdzību ievadiet produkta svaru.
- Piespiediet pogu "СТАРТ" (STARTS).
- **PIEZĪME:** Zemāk esošajā tabulā atrodams katra produkta veida maksimālais svars.

Produkta veids	Maksimālais svars	Rādījums displejā
Gaļa	2300 g	d1
Putnu gaļa	4000 g	d2
Zivs	900 g	d3

- Ja produkta maksimālais svars pārsniedz tabulā norādīto, izmantojiet funkciju ATKAUSĒŠANA PĒC LAIKA.

ATKAUSĒŠANA PĒC LAIKA

- Piespiediet pogu "РАЗМОРОЗКА ПО ВРЕМЕНИ" (ATKAUSĒŠANA PĒC LAIKA).
- Ar ciparu pogu palīdzību ievadiet nepieciešamo atkausēšanas laiku.
- Piespiediet pogu "СТАРТ" (STARTS).

GATAVOŠANA

- Ierīce ļauj apvienot vairākas programmas. Piemēram, jūs vēlaties veikt atkausēšanu vispirms 5 minūtes ar jaudu 100%, pēc tam 10 minūtes ar jaudu 50%.
- Šim nolūkam:
 - Piespiediet pogu "ОТМЕНА" (ATCELŠANA).
 - Piespiediet pogu "РАЗМОРОЗКА ПО ВРЕМЕНИ". (ATKAUSĒŠANA PĒC LAIKA).
 - Izmantojot ciparu pogas, ievadiet nepieciešamo atkausēšanas laiku.
 - Piespiediet pogu "ПАМЯТЬ" (ATMIŅA).
 - Piespiediet pogu "ВРЕМЯ" (LAIKS).
 - Izmantojot ciparu pogas, uzstādiet laiku 5 minūtes.
 - Piespiediet pogu "МОЩНОСТЬ" (JAUDA) un izvēlieties jaudas līmeni, kā tika aprakstīts iepriekš.
 - Piespiediet pogu "ПАМЯТЬ" (ATMIŅA).
 - Piespiediet pogu "ВРЕМЯ" (LAIKS).
 - Izmantojot ciparu pogas, uzstādiet laiku 10 minūtes.
 - Piespiediet pogu "МОЩНОСТЬ" (JAUDA) un izvēlieties jaudas līmeni, kā tika aprakstīts iepriekš.
 - Piespiediet pogu "СТАРТ" (STARTS).

BLOKĒŠANA AIZSARDZĪBAI PRET BĒRNIEM

- Šo funkciju izmanto ierīces aizsardzībai, lai to nevarētu ieslēgt bērni.
- Lai ieslēgtu bloķēšanu, piespiediet un turiet piespiestu pogu "ОТМЕНА" (ATCELŠANA) 3 sekundes. Displejā parādīsies bloķēšanas indikators. Kamēr indikators būs aktīvs, ierīci nevarēs atvērt vai nospriest pogas.
- Lai izslēgtu bloķēšanu, vēlreiz piespiediet un turiet piespiestu pogu "ОТМЕНА" (ATCELŠANA) 3 sekundes.

STARTA ATLIKŠANA

- Šī funkcija ļauj uzsākt ēdiena gatavošanu jums vajadzīgajā laikā.
- Piespiediet pogu STARTA ATLIKŠANA vienu reizi.
- Ar ciparu pogām ievadiet atlikšanas laiku.
- Izvēlieties gatavošanas programmu (izņemot EKSPRES programmu).
- Piespiediet pogu START.

TĪRĪŠANA UN APKOPE

- Krāsni regulāri jātīra un jāatbrīvo tās virsma no jebkurām ēdienu atliekām.
- Pirms tīrīšanas izslēdziet un atvienojiet krāsni no elektrotīkla.
- Ļaujiet krāsnij pilnībā atdzist.
- Noslaukiet vadības paneli, ārējās un iekšējās virsmas, stikla trauku ar mitru drānu un mazgājamo līdzekli.
- Nepielietojiet agresīvas vielas vai abrazīvus materiālus.
- Lai novērstu nepatīkamās smakas, ielejiet dziļā traukā, kas ir derīga mikroviļņu krāsnij, viena citrona sulas glāzi, un ievietojiet krāsnī. Uzstādiet taimeru uz 5 minūtēm, darba režīmu slēdzi maksimālajā stāvoklī. Kad atskanēs skaņas signāls un krāsns atslēgsies, izņemiet trauku un kameras sienas noslaukiet ar sausu drānu.

GLABĀŠANA

- Pārliecinieties, ka krāsns ir atvienots no elektrotīkla un pilnībā atdzisusi.
- Izpildiet visus sadaļas „TĪRĪŠANA un APKOPE” norādījumus.
- Glabājiet krāsni ar nedaudz atvērtām durvīm, sausā, tīrā vietā.



- Šis simbols uz izstrādājuma, iepakojuma un/vai pavaddokumentiem nozīmē, ka nolietotus elektro- vai elektroniskos izstrādājumus un baterijas nedrīkst izmest kopā ar parastajiem sadzīves atkritumiem. Tie ir jānodod specializētajos pieņemšanas punktos.
- Lai iegūtu papildu informāciju par esošajām atkritumu savākšanas sistēmām, vērsieties vietējā pašvaldībā.
- Pareiza utilizācija palīdzēs saglabāt vērtīgus resursus un novērst iespējamo negatīvo ietekmi uz cilvēku veselību un apkārtējās vides stāvokli, kas var rasties nepareizas rīkošanās ar atkritumiem rezultātā.

LI VARTOTOJO INSTRUKCIJA **SAUGUMO PRIEMONĒS**

• SVARBIOS SAUGUMO INSTRUKCIJOS. ATIDŽIAI PERSKAITYKITE IR IŠSAUGOKITE JAS ATEIČIAI.

- Neteisingai naudodamiesi gaminiu, Jūs galite jį sugadinti bei patirti nuostolių.
- Prieš pirmąjį naudojimą patikrinkite, ar ant lipduko nurodytos techninės gaminio charakteristikos atitinka elektros tinklo parametrus.

DĒMESIO! Laido šakutē turi izžeminimo laidā ir kontaktā. Ijunkite prietaisā tik j atitinkančios izžemintus lizdus.

- Prietaisas skirtas naudoti tik buitinēms reikmēms. Prietaisas nēra skirtas pramoninēms ir komercinēms reikmēms, taip pat naudoti:
 - parduotuviu, biuru ir kitu gamybiniu patalpu personalo virtuviu zonose;
 - ūkininku namuose;
 - klientams ligoninēse, moteliuose, pensionatuose ir kitose gyvenamosiose vietose.
- Naudoti tik patalpose.
- Prieš valydami prietaisā bei jo nesinaudodami, visada išjunkite jį iš elektros tinklo.
- Prietaisas nēra skirtas naudoti fizinę, jutiminę ar protinę negalią turintiems asmenims (įskaitant vaikus) ar patirties ir žinių neturintiems asmenims, jei jų neprižiūri ar jų dėl eksploataavimo neinstruktuoja už prietaiso saugą atsakingas asmuo.
- Vaikus reikia prižiūrėti, kad jie nežaistų prietaisu.
- Nebandykite savarankiškai remontuoti prietaiso arba keisti jo detalių. Atsiradus gedimams kreipkitės į artimiausią Serviso centrą.
- Jei pažeistas maitinimo laidas, norėdami išvengti pavojaus, jį turi pakeisti gamintojas arba atestuotas techninės priežiūros centras, ar kvalifikuotas specialistas.

DĒMESIO! Vaikams be suaugusiųjų priežiūros leidžiama naudotis krosnele tik tais atvejais, kai jiems buvo tiksliai ir suprantamai paaiškinta, kaip saugiai naudotis krosnele ir kokie gali būti neteisingo naudojimosi pavojai.

- Nepalikite įjungto prietaiso be priežiūros.
- Nenaudokite nejeinančių į pristatymo komplektą reikmenų.
- Nenaudokite prietaiso, jei jo elektros laidas buvo pažeistas.
- Pažeistą maitinimo laidą, siekiant išvengti pavojaus, turi pakeisti gamintojas, techninės priežiūros tarnyba ar kvalifikuotas personalas.

DĒMESIO! Jeigu krosnelės durelės arba durelių sandarinimo elementai buvo pažeisti, negalima naudotis krosnele kol kvalifikuotas specialistas nepašalins gedimo.

DĒMESIO! Norėdami išvengti mikrobangų spinduliavimo pavojaus, visus remonto darbus, susijusius su bet kokio dangčio nuėmimu, turi atlikti tik specialistai.

- Pasirūpinkite, kad elektros laidas neliestų aštrių kampų ir karštų paviršių.
- Netempkite už elektros laido, nesukite jo ir nevyniokite aplink prietaisą.
- Naudokite mikrobangų krosnelę tik maisto ruošimui. Draudžiama džiovinti joje drabužius, popierių, arba kitus daiktus.

DĒMESIO! Norėdami išvengti maisto ruošimo talpų sprogdimo, nešildykite skysčius arba kitus produktus sandariai uždarytose induose.

- Šildydami mikrobangomis gėrimus, turėkite omenyje, kad jie gali stipriai užvirti, todėl maisto ruošimo talpomis naudokitės atsargiai.
- Produktai su vientisą odelę (pvz.: bulvės, obuoliai, kaštonai, dešra it t.t.) gali sprogti jų ruošimo metu, todėl prieš dėdami juos į krosnelę subadykite kietą žievelę arba odelę peiliu arba šakute.
- Šildydami krosnelėje maisto produktus induose iš degių medžiagų (pvz., plastiko arba popieriaus), stebėkite krosnelę, kad neleisti indams užsidegti.
- Norėdami išvengti gaisro, laikykitės šių saugumo priemonių:
 - stebėkite, kad produktai neprisiviltų – tai gali atsitikti per ilgai juos ruošiant;
 - produktus į mikrobangų krosnelę dėkite tik be pakuotės, ypač be folijos;
 - pasirodžius dūmams, neatidarydami durelių išjunkite krosnelę ir ištraukite jos kištuką iš elektros lizdo.
- Neįjunkite krosnelės su tuščia kamera. Nenaudokite kameros pašaliniam daiktams laikyti.
- Mikrobangų krosnelė nėra skirta maisto produktams konservuoti.
- Nedėkite produktų tiesiog ant kameros dugno, naudokite nuimamas groteles arba padėklą.
- Visada tikrinkite paruošto maisto temperatūrą, ypač jeigu jis skirtas vaikams. Nepateikite patiekalo iš karto, leiskite jam truputi atvėsti.
- Ruošdami maistą, vadovaukitės receptais, bet atsiminkite, kad kai kurie produktai (džemai, pudingai, pyragų prieskoniai iš migdolų, cukraus ar cukaty) įkaista labai greitai.
- Norėdami išvengti trumpojo jungimo ir krosnelės gedimo, neleiskite vandeniui pateikti į ventiliacijos angas.

- Mikrobangų krosnelė skirta šildyti maisto produktus ir gėrimus. Džiovinant maisto produktus ar drabužius ir šildant kilimėlius, šlepetes, kempines, šlapius drabužius ir panašius daiktus, galite sukelti traumą, užsiliepsnojamą ir gaisrą.

DĖMESIO:

- Produktus reikia ruošti specialiuose induose, nedėkite maisto produktų tiesiai ant stiklinio padėklo, išskirus specialiai nurodytus patiekalo ruošimo receptuose atvejus.
- Naudokite specialiai mikrobangų krosnelėms skirtus indus.
- Skirtais mikrobangų krosnelėms indais reikia naudotis tiksliai pagal jų gamintojo instrukcijas.
- Atsiminkite, kad mikrobangų krosnelėje indo turinys įkaista žymiai greičiau, negu pats indas, todėl būkite ypač atsargūs ištraukdami indą iš krosnelės ir atsargiai atidarykite dangtį, nes galite nusideginti garais.
- Iš anksto nuimkite nuo produktų arba jų pakuočių visas metalines juosteles ir foliją.
- **Mikrobangų krosnelėse negalima ruošti kiaušinio su lukštu ir šildyti kietai išvirto kiaušinio, nes jis gali sprogti, baigus jį šildyti mikrobangų krosnelėje.**
- Netinkamai valydami krosnelę galite sulaukti greito jos paviršiaus nusidėvėjimo, o tai gali nepalankiai įtakoti prietaiso veikimą ir sukelti galimą pavojų naudotojui.
- Jeigu gaminys kai kurį laiką buvo laikomas žemesnėje nei 0 °C temperatūroje, prieš įjungdami prietaisą palaikykite jį kambario temperatūroje ne mažiau kaip 2 valandas.
- Gamintojas pasilieka teisę be atskiro perspėjimo nežymiai keisti įrenginio konstrukciją išsaugant jo saugumą, funkcionalumą bei esmines savybes.
- Pagaminimo data nurodyta ant gaminio ir (arba) pakuotės, taip pat pridedamoje dokumentacijoje XX.XXXX formatu, kur pirmieji du simboliai „XX“ žymi pagaminimo mėnesį, o toliau einantys keturi simboliai „XXX“ žymi pagaminimo metus.

INDAI MIKROBANGŲ KROSNELEI

DĖMESIO! Vadovaukitės indų markiruotėmis bei gamintojo nurodymais.

TINKAMI

- **Karščiui atsparus stiklas** – geriausi indai mikrobangų krosnelei.
- **Temperatūrai atsparus plastikas** – tokiuose induose neverta ruošti maistą su didelių riebalų arba cukraus kiekių. Negalima naudoti sandariai užsidarančių konteinerių.
- **Fajansas ir porcelianas** – tinka mikrobangų krosnelei, išskirus paausintus ir pasidabruotus indus bei indus su dekoratyviniais metaliniais elementais.
- **Speciali pakuotė** (popierinė, plastikinė ir kita), skirta mikrobangų krosnelėms – griežtai laikykitės gamintojo nurodymų.

NETINKAMI

- **Plėvelė maisto produktams saugoti bei temperatūrai atsparūs paketai** – netinka mėsos ir kitiems produktams ruošti.
- **Metaliniai indai (iš aliuminio, nerūdijančio plieno ir kt.) ir maisto folija*** – ekranuoja mikrobangas, kurios kontaktuodamos su krosnelės kameros sienelėmis gali sukelti kibirkščiavimą ir trumpąjį jungimą.
- * Aliuminio foliją galite naudoti atskiroms produkto dalims apvynioti – tai neleis produktui perkaisti ar prisvilti. Naudodami foliją, neleiskite jai kontaktuoti su krosnelės sienelėmis, palikite tarp jų ne mažiau kaip 2 cm tarpo.
- **Lydūs plastikai** – netinka mikrobangų krosnelei.
- **Lakuoti indai** – nuo mikrobangų lakas gali deformuotis.
- **Paprastas stiklas (taip pat figūrinis ir storas)** – nuo aukštos temperatūros gali deformuotis.
- **Popierius, šiaudai, medis** – nuo aukštos temperatūros gali užsidegti.
- **Indai iš melamino** – sugeria mikrobangų spinduliavimą, dėl ko gali sutrūkinėti arba deformuotis. Be to, šie indai žymiai padidina ruošimo laiką.

KAIP SUPRASTI AR INDAS TINKA MIKROBANGŲ KROSNELEI?

- Įjunkite krosnelę ir nustatykite veikimo režimų jungiklį į maksimalią padėtį (maksimali temperatūra), įdėkite testuojamąjį indą į krosnelę 1 minutei ir šalia pastatykite vandens stiklinę (~ 250 ml).
- Indas, tinkantis maistui ruošti mikrobangų krosnelėje liks tos pačios temperatūros kaip ir prieš padėdamas į krosnelę, o vanduo sušils.

NAUDINGI PATARIMAI

- Norėdami tolygiai pašildyti maistą, apverskite jį ruošimo metu.
- Nenaudokite indų siauru kakleliu, butelių, nes jie gali sprogti.
- Nenaudokite termometrų produktų temperatūrai matuoti. Naudokite tik specialius termometrus, skirtus mikrobangų krosnelėms.

PRIEŠ KREIPDAMIESI Į SERVISO CENTRĄ

- Jeigu krosnelė neįsijungia, patikrinkite:
 - elektros lizdo būklę ir ar yra įtampa elektros tinkle;
 - ar laikmatis buvo nustatytas teisingai;
 - ar durelės uždarytos sandariai.

RADIJO TRUKDŽIAI

- Mikrobangų krosnelei stovint šalia televizijos ir radijo imtuvų mikrobangos gali skleisti trukdžius.
- Norėdami sumažinti trukdžius:
 - reguliariai valykite dureles ir metalinius sandarinimo elementus;
 - televizorių ir radijo imtuvą pastatykite kuo toliau nuo mikrobangų krosnelės;
 - perorientuokite priėmimo anteną geriausiam rezultatui pasiekti;

- įjunkite mikrobangų krosnelę ir radijo imtuvą į skirtingas elektros tinklo linijas.

MONTAVIMAS

- Įsitikinkite, kad krosnelės kameroje nėra pakavimo medžiagų ir pašalinių daiktų.
- Patikrinkite, ar transportavimo metu nebuvo pažeisti:
 - durelės ir metaliniai sandarinimo elementai;
 - korpusas ir stebėjimo langelis;
 - kameros sienelės.
- Aptikę bet kokius defektus, neįjungdami krosnelės kreipkitės į pardavėją arba į Serviso centrą.
- Pastatykite mikrobangų krosnelę ant lygaus horizontalaus paviršiaus, galinčio išlaikyti krosnelės svorį su indais ir produktais.
- Nestatykite krosnelės šalia šilumos šaltinių.
- Nieko nestatykite ant krosnelės. Neuždenkite ventiliacijos angų.
- Krosnelė gali normaliai veikti tik turėdama vietos ventiliacijai: ne mažiau kaip 20 cm iš viršaus, 10 cm iš užpakalinės sienelės pusės ir ne mažiau kaip 5 cm iš šonų.

MAISTO RUOŠIMO BŪDAI MIKROBANGŲ KROSNELĖJE

- Produktus į indą sudėkite tik vienu sluoksniu, storesnius gabalus dėkite arčiau kraštų.
- Stebėkite ruošimo laiką, nustatykite minimalų laiką ir palaipsniui didinkite jį būtinybei esant. Per ilgai ruošiami, produktai gali apsmilkti ir užsidegti.

PASTABA: Ruošimo laikas taip pat gali būti keičiamas priklausomai nuo produktų formos, dydžių ir išdėstymo. Dideli ir stori gabalai ruošiami ilgiau, o maži – greičiau.

- Uždenkite produktus specialiais arba plastikiniais dangčiais, ir atlenkite vieną iš dangčio kampų, leisdami išeiti garams. Būkite atsargūs – dangčiai stipriai įkaista!
- Norėdami tolygiai pašildyti ir pagreitinti maisto ruošimą kartais apverskite ir išmaišykite produktus.
- Naudokite apvalius indus, jie, skirtingai nuo stačiakampių indų, užtikrina tolygesnį pašildymą.
- Nuimkite produkto pakuotę ir atšildykite jį negilame padėkle arba ant mikrobangų krosnei skirtų grotelių, pastatytų ant besisukančios stiklinės lėkštės. Šaldydami produktus, suteikite jiems kiek įmanoma kompaktiškesnę formą.
- Atstumas tarp atskirų produktų, pavyzdžiui, daržovių, keksų ir t.t. turi būti ne mažesnis už 2,5 cm – tai užtikrins tolygų maisto ruošimą.
- Subadykite vientisą odelę arba žievelę, kad verdami produktai nesprogtų.
- Šildykite tik paruoštus ir atšaldytus produktus, juos išmaišydami.
- Kukurūzų spragėsiai – griežtai laikykitės gamintojo instrukcijoms ir nepalikite mikrobangų krosnelės be priežiūros. Jeigu produktas nespėjo pasigaminti per nustatytą laiką, nutraukite jo ruošimą. Labai ilgas ruošimas gali sukelti gaisrą.

ĮSPĖJIMAS: Nenaudokite kukurūzų spragėsių ruošimui paketų iš rudo popieriaus ir nebandykite naudoti grūdų likučių. Nedėkite pakuotės su kukurūzų spragėsiais tiesiai ant stiklinio indo, dėkite jį į lėkštę.

NAUDOJIMAS

- Įjunkite prietaisą į maitinimo tinklą.
- Kiekvieną kartą paspaudus kokį nors mygtuką, suveikia garsinis paspaudimo tvirtinimo signalas.

DABARTINIO LAIKO NUSTATYMAS

- Spauskite mygtuką „ЧАСЫ“ (valandos)
- Spauskite mygtuką „ОТМЕНА“ (atšaukimas)
- Naudodami mygtukus su skaičiais, nustatykite einamąjį laiką. Jis bus rodomas monitoriuje.
- Spauskite mygtuką „ЧАСЫ“ (valandos) dar kartą.
- **PASTABA:** Laikas nustatomas 12-os valandų formatu. Galite peržiūrėti laiką ruošos metu, spauskite mygtuką „ЧАСЫ“ (valandos)

GALIOS LYGIO NUSTATYMAS

- Galite pasirinkti ruošos galią nuo 0-100%, spausdami mygtuką „МОЩНОСТЬ“ galia ir skaitiniais mygtukais nustatykite reikiamą lygį pagal toliau pateiktus lentelės duomenis.

Numeris	% Galia
1,0	100%
9	90%
8	80%
7	70%
6	60%
5	50%
4	40%
3	30%
2	20%
1	10%
0	0%

- **PASTABA:** Jei norite laikinai pristabdyti ruošos procesą, spauskite „ВРЕМЯ“ (laikas) mygtuką vieną kartą, mikrobanginė krosnelė pereis į ruošos pasirinkimo būdo režimą; galite paspausti „ПАМЯТЬ“ (atmintis) mygtuką, kad

aktyvuotumėte režimą, sudarytą iš kelių etapų. Ruošos metu galima tikrinti galios lygį, paspaudžiant „МОЩНОСТЬ“ (galia) mygtuką.

RUOŠOS LAIKO NUSTATYMAS

- Spauskite mygtuką „ВРЕМЯ“ (laikas).
- Naudodamiesi skaitiniais mygtukais, nustatykite ruošos laiką nuo 1 sek. iki 99 min. 99 sek.

DARBO PRADŽIA

- Ruošos pradžiai spauskite mygtuką „СТАРТ“ (paleisti).

SKUBI RUOŠA

- Naudokite šią funkciją įjungti pačius populiariausius laiko režimus.
- Spauskite mygtuką „ЭКСПРЕСС“ (skubu):

- 15 sek. vienas mygtuko paspaudimas
- 30 sek. du mygtuko paspaudimai
- 1 min. trys mygtuko paspaudimai
- 2 minutės spauskite mygtuką 4 kartus

- Šiuo režimu prietaisas veiks maksimalia galia.
- Monitoriuje bus rodomas atitinkamas laikas, o tada spauskite mygtuką „СТАРТ“ (paleisti).

ATŠILDYMAS PAGAL SVORĮ

- Peržiūrėkime atšildymo pagal svorį funkcijos konkretų pavyzdį.
- Tarkime, jums reikia atšildyti 600 gr. žuvis.
- Spauskite mygtuką „РАЗМОРОЗКА ПО ВЕСУ“ (atšildymas pagal svorį) tris kartus. Monitoriuje bus rodomas užrašas d3.
- Skaitiniais mygtukais įveskite produkto svorį.
- Spauskite mygtuką „СТАРТ“ (paleisti).
- PASTABA: Toliau lentelėje pateiktas maksimalus kiekvienos produkto rūšies svoris.

Maisto produkto rūšis	Maksimalus svoris	Monitorius
Mėsa	2300 g	d1
Paukštiena	4000 g	d2
Žuvis	900 g	d3

- Jei maksimalus produkto svoris viršija nurodytą lentelėje, naudokite funkciją „РАЗМОРОЗКА ПО ВРЕМЕНИ“ (atšildymas pagal laiką).

ATŠILDYMAS PAGAL LAIKĄ

- Spauskite mygtuką „РАЗМОРОЗКА ПО ВРЕМЕНИ“ (atšildymas pagal laiką).
- Skaitiniais mygtukais nustatykite reikiamą atšildymo laiką.
- Spauskite mygtuką „СТАРТ“ (paleisti).

PARENGIMAS

- Prietaisas leidžia derinti keletą programų. Tarkime, kad norite atšildyti pradžioje 5 min. 100% galia, tada 10 min. 50% galia.
- Dėl šios priežasties:
- Spauskite mygtuką „ОТМЕНА“ (atšaukimas)
- Spauskite mygtuką „РАЗМОРОЗКА ПО ВРЕМЕНИ“ (atšildymas pagal laiką).
- Įveskite reikiamą atšildymo laiką, naudodamiesi skaitiniais mygtukais.
- Spauskite mygtuką „ПАМЯТЬ“ (atmintis).
- Spauskite mygtuką „ВРЕМЯ“ (laikas).
- Spauskite skaitinius mygtukus, nustatykite 5 min. laiką.
- Spauskite mygtuką „МОЩНОСТЬ“ (galia) ir pasirinkite galios lygį, kaip aprašyta anksčiau.
- Spauskite mygtuką „ПАМЯТЬ“ (atmintis).
- Spauskite mygtuką „ВРЕМЯ“ (laikas).
- Spauskite skaitinius mygtukus, nustatykite 10 min. laiką.
- Spauskite mygtuką „МОЩНОСТЬ“ (galia) ir pasirinkite galios lygį, kaip aprašyta anksčiau.
- Spauskite mygtuką „СТАРТ“ (paleisti).

APSAUGOS NUO VAIKŲ NUSTATYMAS

- Ši funkcija naudojama apsaugoti prietaisą nuo vaikų, kad jis nebūtų įjungtas.
- Norint aktyvuoti blokuotę, spauskite ir palaikykite mygtuką „ОТМЕНА“ 3 sek. Monitoriuje įsižiebs blokuotės indikatorius, kol jis įjungtas, prietaiso negalima atidaryti ar paspausti jo mygtukus.
- Norint pašalinti blokuotę, spauskite ir palaikykite mygtuką „ОТМЕНА“ (atšaukimas) 3 sek. dar kartą.

PALEIDIMO ATIDĖJIMAS

- Ši funkcija leidžia pradėti ruošti patiekalą jums patogiu laiku.
- Paspauskite „ОТСРОЧКА СТАРТА“ (paleidimo atidėjimas) vieną kartą.
- Skaitiniais mygtukais nustatykite atidėjimo laiką.
- Nustatykite ruošos programą (išskyrus „ЭКСПРЕСС“ („ekspres“) programą).
- Spauskite „СТАРТ“ (paleisti) mygtuką.

VALYMAS IR PRIEŽIŪRA

- Reguliariai valykite krosnelę ir šalinkite nuo jos paviršiaus bet kokius maisto likučius.
- Prieš valydami krosnelę išjunkite ją ir ištraukite jos kištuką iš elektros lizdo.
- Leiskite krosnei visiškai atvėsti.
- Nuvalykite valdymo skydelį, išorinius ir vidinius paviršius, stiklinį padėklą drėgnu audiniu su valymo priemone.
- Nenaudokite agresyvių bei šveitimo valymo priemonių.
- Norėdami atsikratyti nemalonaus kvapo, išspauskite į stiklinę vandens sultį iš vienos citrinos, įpilkite šį paruoštą vandenį į kokį nors mikrobangų krosnei tinkantį gilų indą, ir pastatykite jį į krosnelę. Nustatykite laikmatį 5 minutėms, o veikimo režimų jungiklį – į maksimalią padėtį. Kai išgirsite garso signalą ir krosnelė išsijungs, ištraukite indą ir išvalykite kameros sienelės sausu audiniu.

SAUGOJIMAS

- Įsitinkite, kad krosnelė yra išjungta iš elektros tinklo ir visiškai atvėso.
- Atlikite visus "VALYMAS IR PRIEŽIŪRA" skyriaus reikalavimus.
- Krosnei neveikiant atidarykite jos dureles ir laikykite ją sausoje švarioje vietoje.



- Šis simbolis ant gaminio, pakuotėje ir (arba) lydinčioje dokumentacijoje reiškia, kad naudojami elektriniai ir elektroniniai gaminiai bei baterijos neturėtų būti išmetami (išmestos) kartu su įprastinėmis buitinėmis atliekomis. Juos (jas) reikėtų atiduoti specializuotiems priėmimo punktam.
- Norint gauti papildomos informacijos apie galiojančias atliekų surinkimo sistemas, kreipkitės į vietines valdžios institucijas.
- Teisingai utilizuojant atliekas, sutaupysite vertingų išteklių ir apsaugosite žmonių sveikatą ir aplinką nuo neigiamo poveikio, galinčio kilti netinkamai apdorojant atliekas.

H KEZELÉSI ÚTMUTATÓ

FONTOS BIZTONSÁGI INTÉZKEDÉSEK

- FONTOS BIZTONSÁGI ELŐÍRÁSOK. OLVASSA EL FIGYELMESEN ÉS ŐRIZZE MEG JÖVŐBELI FELVILÁGOSÍTÁS ÉRDEKÉBEN.
- A készülék helytelen kezelése meghibásodáshoz, és a használó egészségkárosodásához vezethet.
- A készülék első használata előtt, ellenőrizze egyeznek-e a címkén megjelölt műszaki adatok az elektromos hálózat adataival.

FIGYELEM! A csatlakozódugó vezetékkel és földeléssel van ellátva. Csatlakoztassa a készüléket csakis megfelelő leföldelt konnektorhoz.

- A készülék kizárólag háztartásban használható. A készülék nem alkalmas ipari és kereskedelmi használatra illetve nem használható:
 - személyzet által üzletek, irodák konyhai helyiségében és egyéb ipari helyiségben;
 - farmházakban;
 - szállodák, motelek, panziók, illetve egyéb hasonló szállás vendégei által.
- Szabadban használni tilos.
- Használaton kívül, vagy tisztítás előtt mindig áramtalanítsa a készüléket.
- A készüléket ne használják elégtelen fizikai, érzéki vagy szellemi képességű személyek (beleértve a gyerekeket is), illetve tapasztalattal vagy ismerettel nem rendelkező személyek felügyelet nélkül, illetve, ha nem részesültek kioktatásban a készülék használatáról a biztonságukért felelős személy által.
- A gyerekeket tartsa felügyelet alatt a készülékkel való játszás elkerülése érdekében.
- Ne próbálja egyedül javítani a készüléket, cserélni az alkatrészeket. Forduljon a közeli szervizbe.
- A vezeték meghibásodása esetén - veszély elkerülése érdekében – annak cseréjét végeztesse a gyártóval vagy a gyártó által meghatalmazott szervizzel ill. szakemberrel.

FIGYELEM! Gyerekek felügyelet nélkül csak akkor használhatják a mikrohullámú sütőt, amennyiben részükre érhető utasításokat kaptak a sütő biztonságos használatáról és elmagyarázták nekik, milyen veszély érhetik őket, amennyiben nem használják megfelelőképpen a mikrohullámú sütőt.

- Soha ne hagyja felügyelet nélkül a bekapcsolt készüléket.
- Ne használjon készlethez nem tartozó tartozékot.
- Ne használja a készüléket sérült vezetékkel.
- A villamos vezeték meghibásodása esetén veszély elkerülése érdekében annak cseréjét végezze a gyártó a szervizközpont, illetve hasonlóan szakképzett személyzet.

FIGYELEM! A mikrohullámú sütő ajtajának, vagy ajtótomítójének károsodása esetén a sütőt használni tilos, amíg szakképzett specialista meg nem javítja azt.

FIGYELEM! A mikrohullámú kisugárzás túlzott veszteségének elkerülése érdekében minden, bármilyen fedél levételével kapcsolatos javítási munkát szakembernek szükséges végezni.

- Figyeljen, hogy a vezeték ne érintkezzen éles, forró felülettel.
- Ne húzza, tekerje, csavarja a vezetéket a készülék köré.
- Csak élelmiszerek elkészítéséhez használja a mikrohullámú sütőt. Semmi esetre sem szárítson benne ruhát, papírt, vagy egyéb tárgyat.

FIGYELEM! Folyadékot, vagy egyéb ételt zárt edényben melegíteni tilos, az edény robbanásának elkerülése érdekében.

- Italok melegítése mikrohullámok segítségével további erős forráshoz vezethet, ezért az edények kezelésekor különösen figyelni szükséges.
- Az élelmiszerek, pl. alma, burgonya, gesztenye, kolbász stb. elkészítése alatt képződő meghasadás elkerülése érdekében, berakás előtt szűrje meg azok héját villa, vagy kés segítségével.
- Amennyiben az élelmiszert gyúlékony anyagból (plasztik, vagy papír) készült edényben melegíti felügyelni szükséges a folyamatot annak érdekében, hogy megelőzzük a sütő kigyulladását.
- A sütő belsejében keletkezett tűz elkerülése érdekében, a következőkre kell figyelni:
 - kerülje el az élelmiszer leragadását, ami túl hosszán tartó elkészítés következtében merülhet fel;
 - csomagolás, fólia nélkül rakja az élelmiszert a mikrohullámú sütőbe;
 - a sütő belsejében keletkezett tűz esetén, bezárva tartva a sütő ajtaját kapcsolja ki és áramtalanítsa a sütőt.
- Ne kapcsolja be a sütőt üresen. Ne használja a sütőt tárolásra.
- A mikrohullámú sütő nem alkalmas élelmiszerek konzerválására.
- Ne rakja az élelmiszert közvetlenül a sütő aljára, használja a levehető rácsot, vagy alátétet.
- Mindig ellenőrizze a készétel hőmérsékletét különösen, ha gyerekek részére készült. Ne tálalja az ételt rögtön az elkészítése után, hagyja kissé kihűlni.
- Kövesse a receptekben található utasításokat, de emlékezzen arra, hogy némely élelmiszerek (dzsem, puding, mandulás, cukros töltelékek) nagyon gyorsan melegeznek.
- Rövidzárlat és a sütő meghibásodása elkerülése érdekében ne engedje, hogy víz kerüljön a szellőző nyílásokba.
- A mikrohullámú sütő készülékek és italok felmelegítésére alkalmas. Élelmiszerek és ruhadarabok szárítása vagy lábtörölő, papucs, szivacs, vizes ruha és hasonló ruhadarabok melegítése a mikrohullámú sütőben sérüléshez vezethet, tűzveszélyt okozhat.

FIGYELEM:

- Az élelmiszereket speciális edényben szükséges készíteni, nem rakni azokat közvetlenül üveg edényre, kivéve, ha más van előírva az utasításban.
- Csakis mikrohullámú sütő használatára tervezett edényt használjon.
- **A mikrohullámú sütőbe tojást készíteni héjában és keményre főzött tojást melegíteni tilos, mivel felrobbanhatnak még a mikrohullámú melegítés befejezése után is.**
- Emlékezzen arra, hogy a mikrohullámú sütőben az élelmiszer sokkal gyorsabban melegszik, mint az edény, ezért legyen óvatos, amikor kivesszi az edényt, gőz okozta égések elkerülése érdekében, óvatosan nyissa fel a fedőt.
- Az élelmiszerről, vagy csomagolásáról előzőleg távolítsa el a fémpántokat és fóliát.
- Amennyiben a sütő nem megfelelően van tisztítva, úgy felülete elhasználódik, ami negatívan hat a készülék működésére, és veszélyt jelenthet a felhasználó számára.
- Amennyiben a készüléket valamennyi ideig 0 °C-nál tárolták, bekapcsolása előtt legalább 2 órán belül tartsa szobahőmérsékleten.
- A gyártónak jogában áll értesítés nélkül másodrendű módosításokat végezni a készülék szerkezetében, melyek alapvetően nem befolyásolják a készülék biztonságát, működőképességét, funkcionalitását.
- A gyártási idő XX.XXXX formátumban a terméken és/vagy a csomagoláson található, valamint a kíséző iratokban, ahol az első két «XX» számjel a gyártási hónapra, a következő «XXXX» számjel pedig a gyártási évre utal.

MIKROHULLÁMÚ SÜTŐ RÉSZÉRE TERVEZETT EDÉNY

FIGYELEM! Kövesse az edény címkéjén található utasításokat, és a gyártó utasításait.

ALKALMAS

- **Hőálló üveg** – legmegfelelőbb anyag a mikrohullámú sütő részére készült edény részére.
- **Hőálló plasztik** – ilyen edényben nem célszerű magas zsír-, és cukortartalmú ételt készíteni. Szorosan zárt konténerek használata tilos.
- **Porcelán és fajansz** – alkalmasak mikrohullámú sütőben való készítésre, kivéve az aranyozott, ezüstözött, vagy fémdíszítéssel ellátott edényeket.
- **Speciális csomagolás** (papír, műanyag, stb.), mikrohullámú sütők részére tervezett – szigorúan betartani a gyártó útmutatásait.

NEM ALKALMAS

- **Élelmiszer tartósításhoz használt fólia, valamint hőálló zacskók** – nem alkalmasak hús, és egyéb élelmiszer sütéséhez.
- **Fémedény (alumínium, rozsdamentes acél, stb.) és élelmiszer fólia*** – visszaverik a mikrohullámokat; a sütő falával való kontaktus esetén szikrázást hívhat elő, és rövidzárlathoz vezethet elkészítés közben.
- * Túlmelegedés és leragadás elkerülése érdekében fel lehet használni az élelmiszer egyes részei csomagolására. Ne engedje a fallal való kontaktust, hagyjon legalább 2 cm távolságot.
- **Olvadó plasztik** – nem alkalmas mikrohullámú sütőben való használatra.
- **Lakkozott edény** – a mikrohullámok hatása alatt a lakk elolvadhat.
- **Szokásos üveg (beleértve a figurális és vastag üveget)** – magas hőmérséklet hatása alatt deformálódhat.
- **Papír, faforgács, fa** – magas hőmérséklet hatása alatt felgyúlhat.
- **Melamedény** – magába tudja szívni a mikrohullámú kisugárzást, ami hasadáshoz, vagy termodestrukciónhoz vezet, és jelentősen növeli az elkészítés idejét.

HOGYAN LEHET KIDERÍTENI, MEGFELEL-E AZ EDÉNY MIKROHULLÁMÚ SÜTŐBEN VALÓ HASZNÁLATRA?

- Kapcsolja be a sütőt és állítsa a működési üzemmód kapcsolót maximális teljesítményre (maximális hőmérséklet), rakja be a sütőbe a tesztelt edényt 1 percre és tegyen mellé egy pohár vizet (~ 250 ml).
- Az alkalmas edény hőmérséklete ugyan olyan marad, mint amikor be lett rakva, miközben a víz megmelegszik.

HASZNOS TANÁCSOK

- Az élelmiszerek egyenletes melegítése érdekében elkészítés közben forgassa azokat.
- Ne használjon keskeny szájú edényt, üveget, mivel felrobbanhat.
- Az élelmiszerek hőmérsékletének kiderítése érdekében ne használjon hőmérőt. Csak speciális, mikrohullámú sütő részére tervezett hőmérőt.

MIELŐTT SZERVIZHEZ FORDULNA

- Amennyiben a sütő nem kapcsol be, ellenőrizze:
 - a konnektor működőképességét, és van-e áram a hálózatban;
 - az időmérő beállításának helyességét;
 - szorosan van-e bezárva az ajtó.

RÁDIÓZAVAROK

- A mikrohullámok zavarokat hívhatnak elő tele-, vagy rádiójelek fogása közben.
- A zavarok minimálisra való csökkentése érdekében:
 - rendszeresen tisztítsa az ajtót, és a fémtömítőket;
 - a televíziót és rádiót minél messzebbre helyezze el a mikrohullámú sütőtől;
 - a legjobb eredmény érdekében állítsa be a rádióantennát.
 - a mikrohullámú sütőt és rádiót különböző konnektorokhoz csatlakoztassa.

BEÁLLÍTÁS

- Győződjön meg arról, hogy a sütő belsejében nincs csomagoló anyag és idegen tárgy.
- Ellenőrizze, szállítás közben, nem-e sérült meg:
 - az ajtó és a fémtömítő;
 - készülékház és az ablak;
 - a falak belső felülete.
- Bármilyen meghibásodás felmerülése esetében ne kapcsolja be a sütőt; forduljon az eladóhoz, vagy szakszervizhez.
- Állítsa a mikrohullámú sütőt egyenes, vízszintes, annyira stabil felületre, hogy kibírja a sütőt az élelmiszerekkel és edénnyel együtt.
- Ne állítsa a sütőt hőforrás közelében.
- Ne rakjon semmit a sütő tetejére. Ne takarja le a szellőző nyílásokat.
- A sütő normál működésének biztosítása érdekében, szellőzéshez elegendő teret kell biztosítani: nem kevesebbet: 20 cm-nél felülről, 10 cm-nél a hátsó panel felől, és 5 cm-nél mindkét oldal felől.

MIKROHULLÁMÚ SÜTŐBEN VALÓ KÉSZÍTÉSI MÓD

- Csakis egy rétegben helyezze el az élelmiszert, a vastagabb kockákat rakja közelebb a szélekhez.
- Figyeljen az elkészítési időre, állítsa minimálisra az időmérőt, és úgy fokozza szükség esetén. Túl hosszú tartó készítés következtében az élelmiszer füstölhet és felgyúlhat.

MEGJEGYZÉS: Az elkészítés ideje változhat a termék formája, mérete, és elhelyezése függvényében. Nagy, illetve vastag darabok tovább készülnek, az apróbbak ü hamarabb.

- Fedje le a terméket speciális fedővel, vagy plasztikkal, feltúrva egy sarkot a felesleges pára kieresztésére. A fedők erősen melegednek – legyen óvatos!
- Az egyenletesebb melegedés és gyorsabb elkészítés érdekében forgassa és kavargassa az élelmiszert.
- A kocka/négyszögletes edényektől eltérően, a kör/ovális edények is biztosítják az egyenletesebb melegedést.
- Az élelmiszert csomagolás nélkül fagyassza ki alacsony szélű alátétben, vagy mikrohullámú megművelésre szánt rácson, feltétlenül forgó üvegtálon. Lefagyasztáskor lehetőleg kompakt formát adjon az élelmiszernek.
- A termékek közötti távolságnak, például, a zöldségek, kekszek, stb. között legalább 2,5 cm kell lennie, annak érdekében, hogy biztosítva legyen az egyenletes megművelés.
- A termék szétszakadásának elkerülése érdekében szűrje meg azok kemény héját.
- Csakis a kész és lehűtött termékeket melegítse, kavargassa azokat.
- Popcorn – tartsa be a gyártó utasításait, és ne hagyja a mikrohullámú sütőt felügyelet nélkül. Amennyiben a termék nem készült el a betáplált időn belül, szakítsa meg a készítést. Túl hosszú tartó készítés tűzhoz vezethet.

FIGYELMEZTETÉS: a popcorn elkészítéséhez ne használjon barna papíros csomagolást, és ne próbálja felhasználni a megmaradt szemeket. Ne helyezze a popcornot tartalmazó zacskót közvetlenül a forgó üvegtátra, rakja azt a tányérra.

MŰKÖDÉS

- Áramosítsa a készüléket.
- Mindegyik gombnyomáskor hangjel hangzik el, amely tanúsítja a gombnyomást.

УСТАНОВКА ТЕКУЩЕГО ВРЕМЕНИ (A JELENLEGI IDŐ BEÁLLÍTÁSA)

- Nyomja meg a ЧАСЫ (ÓRA) gombot.
- Nyomja meg a ОТМЕЧА (TÖRLÉS) gombot.
- A számjellel ellátott gombok segítségével állítsa be a jelenlegi időt. Az idő megjelenik a kijelzőn.
- Nyomja meg a ЧАСЫ (ÓRA) gombot másodszor.
- **MEGJEGYZÉS:** Az időérték 12-órás formátumban állítható be. Működés közben is megnézheti az időt, ennek érdekében nyomja meg a ЧАСЫ (ÓRA) gombot.

УСТАНОВКА УРОВНЯ МОЩНОСТИ (TELJESÍTMÉNYSZINT BEÁLLÍTÁSA)

- Lehetőség van a teljesítményszint beállítására 0-100% értékhatáron belül, ezért nyomja meg a МОЩНОСТЬ (TELJESÍTMÉNY) gombot és a számozott gombok segítségével állítsa be a megfelelő szintet az alábbi táblázatnak megfelelően.

Szám	% Teljesítmény
------	----------------

1,0	100%
9	90%
8	80%
7	70%
6	60%
5	50%
4	40%
3	30%
2	20%
1	10%
0	0%

- **MEGJEGYZÉS:** Amennyiben ideiglenesen szüneteltetni kívánja a főzési folyamatot, nyomja meg az IDŐ gombot egy alkalommal, a mikrohullámú sütő átáll az elkészítési mód kiválasztása üzemmódra; ekkor megnyomhatja a MEMÓRIA gombot és aktiválhatja a több szakaszos üzemmódot. Főzés közben a TELJESÍTMÉNY gomb segítségével ellenőrizhető a teljesítményszint.

УСТАНОВКА ВРЕМЕНИ ПРИГОТОВЛЕНИЯ (AZ ELKÉSZÍTÉSI IDŐ BEÁLLÍTÁSA)

- Nyomja meg a ВРЕМЯ (IDŐ) gombot.
- A számozott gombok segítségével állítsa be az elkészítési időt 1 másodperctől 99 perc 99 másodpercig.

НАЧАЛО РАБОТЫ (A MŰVELET KEZDETE)

- Kezdje el a készítést a СТАРТ (START) gomb segítségével.

ЭКСПРЕСС ПРИГОТОВЛЕНИЕ (EXPRESS KÉSZÍTÉS)

- Használja ezt a funkciót a legkedveltebb időbeállítások alkalmazásakor.
- Nyomja meg a ЭКСПРЕСС (EXPRESS) gombot:
 - 15 másodpercegy gombnyomás
 - 30 másodpercdupla gombnyomás
 - 1 perchárom gombnyomás
 - 2 perc 4 gombnyomás

- Ebben az üzemmódban a készülék maximális teljesítményszinten fog működni.
- A megfelelő időérték megjelenik a kijelzőn, miután nyomja meg a СТАРТ (START) gombot.

РАЗМОРОЗКА ПО ВЕСУ (OLVASZTÁS SÚLY SZERINT)

- Bemutatjuk a súly szerinti kiolvasztás funkciót az alábbi példán.
- Tegyük fel, hogy 600 g halat szükséges kiolvasztani.
- Nyomja meg a РАЗМОРОЗКА ПО ВЕСУ (OLVASZTÁS SÚLY SZERINT) gombot háromszor. A kijelzőn megjelenik a d3 felirat.
- A számozott gombok segítségével adja meg a súlyértéket.
- Nyomja meg a СТАРТ (START) gombot.
- **MEGJEGYZÉS:** Az alábbi táblázat tartalmazza az egyes termékek maximális súlyértékét.

Termék	Maximális súly	Kijelző
Hús	2300 g	d1
Baromfihús	4000 g	d2
Hal	900 g	d3

- Amennyiben a termék súlyértéke meghaladja a táblázatban megadott maximális értéket, használja a РАЗМОРОЗКА ПО ВРЕМЕНИ (OLVASZTÁS IDŐ SZERINT) funkciót.

РАЗМОРОЗКА ПО ВРЕМЕНИ (OLVASZTÁS IDŐ SZERINT)

- Nyomja meg a РАЗМОРОЗКА ПО ВРЕМЕНИ (OLVASZTÁS IDŐ SZERINT).
- A számozott gombok segítségével állítsa be a szükséges kiolvasztási időt.
- Nyomja meg a СТАРТ (START) gombot.

ПРИГОТОВЛЕНИЕ (ELKÉSZÍTÉS)

- A készülék lehetőséget nyújt több program egyidejű használatára. Tegyük fel, hogy előbb 5 percig 100%-os teljesítményszinten kívánja folytatni a kiolvasztást, továbbá még 10 percig 50%-os teljesítményszinten.
- Ennek érdekében:
 - Nyomja meg a ОТМЕНА (TÖRLÉS) gombot.
 - Nyomja meg a РАЗМОРОЗКА ПО ВРЕМЕНИ (KIOLVASZTÁS IDŐ SZERINT) gombot.
 - Adja meg a szükséges kiolvasztási időt a számozott gombok segítségével.
 - Nyomja meg a ПАМЯТЬ (MEMÓRIA) gombot.
 - Nyomja meg a ВРЕМЯ (IDŐ) gombot.
 - A számozott gombok segítségével adja meg az 5-perces időértéket.
 - Nyomja meg a МОЩНОСТЬ (TELJESÍTMÉNY) gombot és válasszon megfelelő teljesítményszintet a fentiek szerint.
 - Nyomja meg a ПАМЯТЬ (MEMÓRIA) gombot.
 - Nyomja meg az ВРЕМЯ (IDŐ) gombot.

- A számozott gombok segítségével adja meg a 10-perces időértéket.
 - Nyomja meg a МОЩНОСТЬ (TELJESÍTMÉNY) gombot és válasszon megfelelő teljesítményszintet a fentiek szerint..
 - Nyomja meg a СТАРТ (START) gombot.
- НАСТРОЙКА ЗАЩИТЫ ОТ ДЕТЕЙ (GYERMEKZÁR BEÁLLÍTÁSA)**
- Ez a funkció a készülék gyermekek általi véletlen bekapcsolása ellen nyújt védelmet.
 - Jelen zár aktiválása érdekében nyomja meg és tartsa lenyomva 3 másodpercen belül a ОТМЕHA (TÖRLÉS) gombot. A kijelzőn kigyúl a blokkolási égő, amíg az égő ég a készülék nem nyitható ki, a gombok nem nyomhatók meg.
 - A zár feloldása érdekében nyomja meg és tartsa lenyomva 3 másodpercen belül a ОТМЕHA (TÖRLÉS) gombot.

ELHALASZTOTT START

- Az adott funkció lehetőséget nyújt az Ön számára szükséges időben elkezdni a készítést.
- Nyomja meg az ELHALASZTOTT START gombot egy alkalommal.
- A számozott gombok segítségével állítsa be az elhalasztási időt.
- Állítsa be a főzési programot (az EXPRESS programon кнвчл).
- Nyomja meg a START gombot.

TISZTÍTÁS ÉS KARBANTARTÁS

- Rendszeresen tisztítsa a sütőt és távolítsa el felületéről az összes ételmaradékot.
- Tisztítás előtt kapcsolja ki és áramtalanítsa a sütőt.
- Hagyja teljesen kihűlni a sütőt.
- Törölje meg nedves, mosogatószereses törölkendővel a vezérlőpadot, a külső és belső felületeket.
- Ne használjon agresszív kémiai szert, illetve súrolószert.
- A kellemetlen szag eltávolítása érdekében, töltsön egy, a mikrohullámos sütőhöz alkalmas mély edénybe egy pohár citromos vizet, és tegye a sütőbe. Állítsa az időmérőt 5 percre, a működési üzemmód kapcsolót maximális helyzetbe. Amikor elhangzik a hangjel és a sütő kikapcsol, vegye ki az edényt és törölje meg a falakat száraz törölkendővel.

TÁROLÁS

- Győződjön meg, hogy a sütő áramtalanítva van és teljesen kihűlt.
- Kövesse a „TISZTÍTÁS ÉS KARBANTARTÁS” rész lépéseit.
- Tárolja a sütőt kissé nyitott ajtóval száraz, tiszta helyen.



- Ez a jel a terméken, csomagoláson és/vagy kísérő dokumentumokon azt jelenti, hogy ezeket a használt villamos és elektronikus termékeket és elemeket tilos az általános háztartási hulladékkal kidobni. E tárgyakat speciális befogadó pontokban kell leadni.
- A hulladékbe fogadó rendszerrel kapcsolatos kiegészítő információért forduljon a helyi illetékes hatósághoz.
- A megfelelő hulladékkezelés segít megőrizni az értékes erőforrásokat és megelőzheti az olyan esetleges negatív hatásokat az emberi egészségre és a környezetre, amelyek a nem megfelelő hulladékkezelés következtében felmerülhetnek fel.

RO MANUAL DE UTILIZARE MĂSURI DE SIGURANȚĂ

- INSTRUȚIUNI IMPORTANTE DE SIGURANȚĂ. CITIȚI-LE ATENT ȘI PĂSTRAȚI-LE PENTRU REFERINȚĂ ULTERIOARĂ. Utilizarea incorectă a aparatului poate duce la deteriorarea lui sau poate cauza daune utilizatorului.
 - Înainte de prima utilizare, verificați dacă parametrii tehnici, indicați pe aparat, corespund parametrilor rețelei electrice.
- ATENȚIE!** Ștecherul cablului de alimentare este dotat cu cablu și contact de împănântare. Conectați aparatul doar la prizele corespunzătoare cu împănântare.
- A se utiliza doar în scopuri de utilizare casnică. Aparatul este destinat doar pentru utilizare în condiții casnice. Aparatul nu este destinat pentru utilizare industrială și comercială, precum și pentru utilizare în:
 - zonele de bucătărie pentru personalul din magazine, officii și alte încăperi de producere;
 - ferme;
 - clienții din hoteluri, moteluri, pensiuni și alte spații de locuit similar.
 - Se interzice utilizarea în afara încăperilor.
 - Întotdeauna deconectați aparatul de la rețeaua electrică înainte de curățare sau dacă nu-l mai folosiți.
 - Aparatul nu este destinat persoanelor (inclusiv copiilor) cu capacități fizice, senzoriale și mintale reduse sau dacă ele nu posedă experiență de viață sau cunoștințe, dacă ele nu sunt supravegheate sau instruite privitor la utilizarea aparatului de persoana, responsabilă de siguranța lor.
 - Supravegheați copiii pentru a nu le permite jocul cu aparatul.
 - Nu încercați să reparați aparatul desinestătător sau să înlocuiți careva piese. În cazul detectării unor defecțiuni, adresați-vă celui mai apropiat centru de deservire.
- ATENȚIE!** Folosirea cuptorului de copii fără supravegherea părinților este permisă doar în cazul în care lor le-au fost explicate regulile de utilizare sigură a cuptorului și pericolele care pot surveni în caz de utilizare incorectă a acestuia.
- Nu lăsați aparatul conectat fără supraveghere.
 - Nu folosiți accesoriile care nu fac parte din setul livrat.
 - Pentru a preveni situațiile periculoase, în cazul deteriorării cablului de alimentare, este necesar ca acesta să fie înlocuit de producător, centrul de reparații sau de personalul similar calificat.

ATENȚIE! În caz de deteriorare a ușiței sau etanșoarelor ei, nu se permite utilizarea cuptorului până când specialiștii calificați nu vor înlătura defecțiunea.

ATENȚIE! Pentru a evita pericolul de scurgere excesivă a radiației cu microunde, toate lucrările de reparații, legate de scoaterea oricăror capace, trebuie executate numai de specialiști.

- Asigurați-vă că cablul de alimentare nu intră în contact cu margini ascuțite și suprafețe fierbinți.
- Nu trageți de cablul de alimentare, nu-l răsuciți și nu-l înfășurați în jurul aparatului.
- Folosiți cuptorul cu microunde doar pentru pregătirea produselor. Este strict interzis de uscat în el haine, hârtie sau alte obiecte.

ATENȚIE! Se interzice încălzirea lichidelor sau altor produse în containere închise pentru a evita explozia acestor containere.

- În rezultatul încălzirii băuturilor cu ajutorul microundelor poate avea loc fierbere puternică, de aceea este necesar să fiți atenți și precauți la manipularea containerelor.
- Pentru ca produsele să nu explodeze în timpul pregătirii, înainte de a le pune în cuptor, găuriți cu cuțitul sau furculița coaja sau pielea groasă, de exemplu, la cartofi, mere, castani, salam, etc.
- La încălzirea în cuptor a produselor alimentare în veselă din plastic sau hârtie, este necesar să supravegheați cuptorul pentru a evita incendierea.
- În scopul evitării incendiului în cuptor este necesar:
 - de evitat arderea produselor în urma duratei excesive de pregătire;
 - de introdus produsele în cuptorul cu microunde fără ambalaj, inclusiv fără folie;
 - în caz de apariție a fumului, deconectați cuptorul și lăsați ușa închisă pentru a nu permite flăcărilor să iasă.
- Nu conectați cuptorul dacă camera lui e goală. Nu folosiți camera pentru a păstra anumite obiecte.
- Cuptorul cu microunde nu este destinat pentru conservarea produselor.
- Nu plasați produsele nemijlocit pe fundul camerei, ci folosiți tava de sticlă.
- Pentru a evita arsurile, amestecați și agitați conținutul sticlulelor și borcanelor cu alimente pentru copii și verificați temperatura alimentelor înainte de consum.
- Respectați rețetele pentru preparare, însă nu uitați că unele produse (gemurile, budincile, umpluturile pentru chec din migdale, zahăr și fructe zaharisite) se încălzesc foarte repede.
- Pentru a preveni scurtcircuitarea și deteriorarea cuptorului, nu lăsați apa să pătrundă în orificiile de ventilare.
- Cuptorul cu microunde este destinat pentru încălzirea produselor alimentare și băuturilor. Uscarea produselor alimentare sau hainelor, încălzirea covorașelor, cipicilor, bureților, hainelor ude sau altor lucruri similare, poate duce la apariția flăcărilor și incendiului.

ATENȚIE:

- Produsele trebuie pregătite în vase speciale, dar nu direct pe tava de sticlă, cu excepția cazurilor când acest lucru este menționat explicit în rețeta de pregătire a bucatelor.
- Folosiți doar vesela destinată pentru utilizare în cuptoarele cu microunde.
- Vesela destinată pentru utilizare în cuptoarele cu microunde trebuie folosită în strictă conformitate cu instrucțiunile producătorului vasei.
- Rețineți că în cuptorul cu microunde conținutul se încălzește mult mai repede decât vesela, de aceea, fiți foarte atenți când scoateți vesela din cuptor și deschideți capacul cu precauție pentru a evita arsurile cu aburi.
- Eliminați în prealabil benzile metalice și foliile de pe produse sau ambalajele lor.
- **În cuptoarele cu microunde nu este permisă pregătirea ouălor cu coajă sau încălzirea ouălor fierte, pentru că ele pot exploda chiar și după terminarea încălzirii cu microunde.**
- Menținerea curățeniei necorespunzătoare în cuptor poate duce la uzura suprafeței lui, ceea ce poate influența negativ asupra funcționării aparatului și crea posibile situații de pericol pentru utilizator.
- Dacă aparatul s-a aflat un anumit timp la temperaturi sub 0°C, înainte de conectare, el trebuie ținut la temperatura încăperii timp de cel puțin 2 ore.
- Producătorul își rezervă dreptul, fără nicio notificare prealabilă, să introducă modificări neesențiale în construcția aparatului, care nu afectează semnificativ siguranța, funcționalitatea și performanța lui.
- Data producerii este indicată pe produs și/sau ambalaj, precum și în documentația însoțitoare, în format XX.XXXX, unde primele două cifre "XX" reprezintă luna producerii, iar următoarele patru cifre "XXXX" reprezintă anul producerii.

VESELA PENTRU CUPTORUL CU MICROUNDE

ATENȚIE! Ghidați-vă după marcajele pe veselă și după instrucțiunile producătorului.

POTRIVITĂ

- **Sticlă termorezistentă** – cel mai bun material pentru vesela de pregătire în cuptorul cu microunde.
- **Masă plastică termorezistentă** – acest tip de veselă nu este potrivit pentru pregătirea bucatelor cu conținut ridicat de grăsimi sau zahăr. Nu folosiți containere închise ermetic.
- **Ceramică și porțelan** – potrivite pentru pregătire în cuptorul cu microunde, cu excepția vasei placate cu aur, argint sau cu elemente decorative din metal.
- **Ambalaj special** (de hârtie, masă plastică, etc.), destinată pentru cuptoarele cu microunde – ghidați-vă strict după indicațiile producătorului.

NEPOTRIVITĂ

- **Peliculă pentru păstrarea produselor, precum și pachete de polietilenă termorezistente** – sunt nepotrivite pentru prăjirea cărnii sau oricăror alte produse.
- **Vesela metalică (de aluminiu, oțel inoxidabil, etc.) și folia alimentară*** – ecranează microundele; la contactul cu pereții camerei de încălzire pot provoca scânteii și scurtcircuite în procesul de pregătire.

*Se poate de aplicat pentru a înveli într-un singur strat anumite părți ale produsului pentru a preveni supraîncălzirea sau arderea. Evitați contactul ei cu pereții; distanța până la ei trebuie să fie de cel puțin 2 cm.

- **Materiale plastice fuzibile** – nu sunt potrivite pentru pregătire în cuptorul cu microunde.
- **Vesela smălțuită** – smălțul se poate topi sub influența microundelor.
- **Sticlă obișnuită (inclusiv ornamentată și groasă)** – se poate deforma sub influența temperaturilor ridicate.
- **Hârtia, bambusul, lemnul** – se pot aprinde sub influența temperaturii ridicate.
- **Vesela de melamină** – poate absorbi radiația microundelor, fapt care duce la fisurarea sau termodegradarea ei, măbind semnificativ timpul de pregătire.

CUM PUTEȚI DETERMINA DACĂ VESELA ESTE POTRIVITĂ PENTRU CUPTORUL CU MICROUNDĂ?

- Conectați cuptorul și mișcați comutatorul programelor de lucru la putere maximală (temperatură maximală), puneți în cuptor pentru 1 minut vesela pentru testare și puneți alături un pahar cu apă (~ 250 ml).
- Vesela potrivită pentru pregătirea bucatelor în cuptorul cu microunde va avea aceeași temperatură pe care a avut-o înainte de introducerea în cuptor, în timp ce apa se va încălzi.

SFATURI UTILE

- Nu folosiți recipiente cu gât îngust, sticle, pentru că ele ar putea exploda.
- Nu utilizați termometrele pentru măsurarea temperaturii produselor. Folosiți doar termometrele speciale, destinate pentru cuptoarele cu microunde.

ÎNAINTE DE A VĂ ADRESA LA CENTRUL DE REPARAȚII

- Dacă cuptorul nu se conectează, verificați:
 - funcționalitatea prizei și prezența tensiunii în rețeaua electrică;
 - corectitudinea setării temporizatorului;
 - dacă ușița este închisă bine.

INTERFERENȚE

- Microundele pot cauza interferențe la recepția semnalelor tele sau radio.
- Pentru a minimiza interferențele:
 - curățați în mod regulat ușițele și etanșoarele;
 - amplasați televizorul și receptoarele radio cât mai departe de cuptorul cu microunde;
 - reorientați antena de recepție pentru obținerea unui rezultat mai bun.
 - conectați cuptorul cu microunde și receptorul la diferite rețele de electricitate.

INSTALAREA

- Asigurați-vă că în interiorul cuptorului nu sunt materiale de ambalare și alte obiecte străine.
- Verificați dacă nu au fost deteriorate pe durata transportării:
 - ușița și etanșoarele;
 - carcasa și geamul de vizualizare;
 - pereții camerei.
- Dacă depistați orice defecte, nu conectați cuptorul; adresați-vă la vânzător sau la centrul de reparații.
- Amplasați cuptorul cu microunde pe o suprafață plană, suficient de rezistentă pentru a susține greutatea cuptorului cu produsele și vesela.
- Nu amplasați cuptorul în apropierea surselor de căldură.
- Nu puneți nimic pe cuptor. Nu acoperiți orificiile de ventilare.
- Nu amplasați cuptorul cu microunde în dulap. Pentru funcționarea normală a cuptorului este nevoie să asigurați spațiu liber pentru ventilare: cel puțin: 20 cm de sus, 10 cm din partea panoului din spate și cel puțin 5 cm din părțile laterale.

MODALITĂȚI DE PREGĂTIRE ÎN CUPTORUL CU MICROUNDĂ

- Puneți produsele doar într-un strat, bucățile cele mai groase trebuie să fie mai aproape de margini.
- Respectați timpul de pregătire, începând cu timpul minim, treptat mărindu-l, în caz de necesitate. În caz de durată exagerată a pregătirii, produsele pot genera fum și pot lua foc.

NOTĂ: Timpul de pregătire, de asemenea, poate fi modificat în funcție de forma, dimensiunile și amplasarea produselor. Bucățile mari sau groase se pregătesc mai mult, iar cele mai mici – mai repede.

- Acoperiți produsele cu capace speciale sau din plastic, lăsând un colț deschis pentru a permite excesului de aburi să iasă. Capacele se înfierbântă foarte tare – manipulați-le cu atenție!
 - Pentru o încălzire mai uniformă și pentru accelerarea pregătirii, întoarceți și amestecați produsele.
 - Vasele rotunde/ovale, spre deosebire de cele pătrate/dreptunghiulare, de asemenea, asigură o încălzire mai uniformă.
 - Dezghețați produsele fără ambalaj într-un vas de adâncime mică, folosind în mod obligatoriu tava rotativă de sticlă. La congelarea produselor, dați-le o formă cât mai compactă.
 - Distanța între produse, de exemplu, legume, checuri, etc. nu trebuie să fie mai mică de 2,5 cm, pentru a le asigura o prelucrare uniformă.
 - Străpungeți coaja groasă sau pielea pentru a evita explozia produsului.
 - Încălziți doar produsele gata și răcite amestecându-le.
 - Popcorn – urmați cu strictețe instrucțiunile producătorului și nu lăsați cuptorul fără supraveghere. Dacă produsul nu este gata în timp util, întrerupeți procesul de preparare. Prelucrarea prea îndelungată poate duce la incendiu.
- AVERTIZARE:** Nu folosiți pachete din hârtie maro pentru pregătirea popcornului și nu încercați să folosiți resturi de boabe. Nu puneți ambalajul cu popcorn direct pe tava de sticlă, ci puneți-l pe o farfurie.

UTILIZAREA

- Conectați aparatul la rețeaua electrică.
- La apăsarea oricărui buton se va auzi un semnal sonor de confirmare a apăsării.

SETAREA OREI CURENTE

- Apăsați butonul ЧАСЫ (CEAS).
- Apăsați butonul ОТМЕHA (ANULARE).
- Utilizând butoanele cu cifre, setați ora curentă. Ea se va afișa pe ecran.
- Apăsați butonul ЧАСЫ (CEAS) din nou.
- NOTĂ: Ora este setată în format de 12 ore. Dvs. puteți vedea ora în timpul procesului de pregătire. În acest scop apăsați butonul ЧАСЫ (CEAS).

SETAREA NIVELULUI DE PUTERE

- Dvs. puteți selecta puterea de preparare între 0-100%, pentru aceasta fiind necesar să apăsați butonul МОЩНОСТЬ (PUTERE), și cu ajutorul butoanelor cu cifre să setați nivelul dorit, conform tabelului de mai jos.

Număr	% Putere
1,0	100%
9	90%
8	80%
7	70%
6	60%
5	50%
4	40%
3	30%
2	20%
1	10%
0	0%

- NOTĂ: Dacă doriți să întrerupeți temporar procesul de preparare, apăsați butonul ТИМР o dată, cuptorul cu microunde va trece în modul de selectare a metodei de preparare; de asemenea, puteți apăsa butonul MEMORIE pentru activarea modului care constă din câteva etape. Pe durata procesului de preparare puteți verifica nivelul de putere apăsând butonul PUTERE.

SETAREA TIMPULUI DE PREPARARE

- Apăsați butonul ВРЕМЯ (TIMPUL).
- Utilizând butoanele cu cifre, setați timpul de preparare de la 1 secundă și până la 99 minute 99 secunde.

ÎNCEPUTUL UTILIZĂRII

- Pentru a începe prepararea apăsați butonul СТАРТ (START).

PREPARARE EXPRESS

- Folosiți această funcție pentru conectarea celor mai populare moduri de timp.
- Apăsați butonul ЭКСПРЕСС (EXPRESS):
 - 15 secundeapăsați butonul o singură dată
 - 30 secundeapăsați butonul de două ori
 - 1 minutapăsați butonul de trei ori
 - 2 minuteapăsați butonul de patru ori

- În modul curent aparatul va funcționa la putere maximă.
- Timpul corespunzător se va afișa pe ecran, iar apoi apăsați butonul СТАРТ (START).

DEZGHEȚARE DUPĂ GREUTATE

- Să analizăm procesul funcției de dezghețare în baza unui exemplu concret.
- Să presupunem că doriți să dezghețați 600 grame de pește.
- Apăsați butonul ПАЗМОРОЗКА ПО ВЕСУ (DEZGHEȚARE DUPĂ GREUTATE) de trei ori. Pe ecran se va afișa inscripția d3.
- Cu ajutorul butoanelor cu cifre introduceți greutatea produsului.
- Apăsați butonul СТАРТ (START).
- NOTĂ: În tabelul de mai jos este prezentată greutatea maximală a fiecărui tip de produs.

Tipul produsului	Greutate maximală	Ecran
Carne	2300g	d1
Pasăre	4000g	d2
Pește	900g	d3

- Dacă greutatea maximală a produsului o depășește pe aceea din tabel, utilizați funcția de dezghețare DEZGHEȚAREA DUPĂ TIMP.

DEZGHEȚAREA DUPĂ TIMP

- Apăsați butonul ПАЗМОРОЗКА ПО ВРЕМЕНИ (DEZGHEȚARE DUPĂ TIMP).

- Cu ajutorul butoanelor cu cifre introduceți timpul necesar pentru dezghețare.
- Apăsati butonul СТАРТ (START).

PREPARAREA

- Aparatul permite combinarea mai multor programe. Să presupunem că dvs. doriți mai întâi să dezghețați produsul 5 minute la puterea 100%, iar apoi 10 minute la puterea 50%.
- În acest scop:
- Apăsati butonul ОТМЕHA (ANULARE).
- Apăsati butonul РАЗМОРОЗКА ПО ВРЕМЕНИ (DEZGHEȚARE DUPĂ TIMP).
- Introduceți timpul necesar de dezghețare, utilizând butoanele cu cifre.
- Apăsati butonul ПАМЯТЬ (MEMORIE).
- Apăsati butonul ВРЕМЯ (TIMPUL).
- Utilizând butoanele cu cifre, setați timpul: 5 minute.
- Apăsati butonul МОЩНОСТЬ (PUTERE) și selectați nivelul de putere, după cum este descris mai sus.
- Apăsati butonul ПАМЯТЬ (MEMORIE).
- Apăsati butonul ВРЕМЯ (TIMPUL).
- Utilizând butoanele cu cifre, setați timpul: 10 minute.
- Apăsati butonul МОЩНОСТЬ (PUTERE) și selectați nivelul de putere, după cum este descris mai sus.
- Apăsati butonul СТАРТ (START).

CONFIGURAREA PROTECȚIEI PENTRU COPII

- Această funcție este folosită pentru a preveni conectarea aparatului de către copii.
- Pentru a activa această blocare, apăsați și țineți apăsat butonul ОТМЕHA (ANULARE) timp de 3 secunde. Pe ecran se va ilumina indicatorul de blocare. Cât timp el va fi aprins, nu va fi posibil de deschis aparatul sau de apăsat butoanele lui.
- Pentru a dezactiva blocarea, apăsați și țineți apăsat butonul ОТМЕHA (ANULARE) timp de 3 secunde din nou.

AMÂNAREA STARTULUI

- Funcția dată permite inițierea preparării mâncării la timpul dorit.
- Apăsati butonul AMÂNAREA STARTULUI o dată.
- Cu ajutorul butoanelor numerice setați timpul amânării.
- Selectați programul de preparare (cu excepția programului EXPRES).
- Apăsati butonul START.


CURĂȚAREA ȘI ÎNTREȚINEREA

- Cuptorul trebuie curățat regulat, de eliminat de pe suprafața lui orice resturi de alimente.
- Înainte de curățare deconectați cuptorul și scoateți-l din priză.
- Lăsați cuptorul să se răcească complet.
- Ștergeți panoul de comandă, suprafețele exterioare și interioare, etanșoarele, tava de sticlă cu o bucată de pânză umedă cu soluție de spălat.
- Nu folosiți substanțe agresive sau materiale abrazive.
- Pentru a elimina mirosul neplăcut, turnați într-un vas adânc, potrivit pentru utilizarea în cuptorul cu microunde, un pahar cu apă cu suc dintr-o lămâie și introduceți-l în cuptor. Setați temporizatorul pentru 5 minute și comutatorul programelor de lucru în poziția maximală. Când se va auzi semnalul sonor și cuptorul se va deconecta, scoateți vasul și ștergeți pereții camerei cu o bucată de pânză uscată.

DEPOZITAREA

- Asigurați-vă că cuptorul este deconectat de la rețeaua electrică și că s-a răcit complet.
- Îndepliniți toate cerințele rubricii „CURĂȚAREA ȘI ÎNTREȚINEREA”.
- Depozitați cuptorul cu ușița întredeschisă într-un loc uscat și curat.



-  Simbolul dat pe produs, ambalaj și/sau documentele însoțitoare înseamnă că aparatele electrice și electronice, și bateriile uzate nu trebuie aruncate împreună cu deșeurile menajere. Acestea trebuie duse la punctele de colectare specializate.
- Adresați-vă la autoritățile locale pentru a obține informații suplimentare referitor la sistemele existente de colectare a deșeurilor.
- Reciclarea corectă va contribui la păstrarea resurselor valoroase și la prevenirea posibilelor efecte negative asupra sănătății oamenilor și a mediului înconjurător, care ar putea apărea în rezultatul reciclării incorecte a deșeurilor.

PL INSTRUKCJA OBSŁUGI

ŚRODKI OSTROŻNOŚCI

- **WAŻNE INSTRUKCJE DOTYCZĄCE BEZPIECZEŃSTWA. UWAŻNIE PRZECZYTAJ I ZACHOWAJ JE DLA PÓŹNIEJSZEGO UŻYTKU.** Niewłaściwe obchodzenie się z urządzeniem może doprowadzić do jego uszkodzenia i spowodować obrażenia użytkownika.
- Przed pierwszym włączeniem należy sprawdzić, czy dane techniczne podane na wyrobie są zgodne z parametrami prądu elektrycznego.

UWAGA! Wtyczka kabla zasilającego ma przewód i styk uziemiający. Podłączaj urządzenie jedynie do uziemionych gniazdek, które zostały zainstalowane zgodnie z przepisami.

- Urządzenie jest przeznaczone tylko do użytku domowego. Urządzenie nie jest przeznaczone do używania w przemyśle i w handlu, a także do wykorzystania:
 - w pomieszczeniach kuchennych dla pracowników w sklepach, biurach i innych pomieszczeniach produkcyjnych;
 - w domach rolników;
 - przez klientów w hotelach, motelach, pensjonatach i innych podobnych miejscach zamieszkania.
- Nie używać na zewnątrz pomieszczeń.
- Zawsze odłączaj zasilanie sieciowe, gdy urządzenie nie jest używane lub przed czyszczeniem.
- Urządzenie nie jest przeznaczone do użytku przez osoby (w tym dzieci) o obniżonych możliwościach fizycznych, zmysłowych lub umysłowych albo w przypadku braku doświadczenia lub wiedzy, jeśli nie znajdują się one pod nadzorem lub nie poinstruowane przez osobę odpowiedzialną za ich bezpieczeństwo na temat korzystania z urządzenia.
- Dzieci powinny być nadzorowane w celu niedopuszczenia do bawienia się z urządzeniem.
- Nie należy samodzielnie naprawiać ani wymieniać żadnej części urządzenia. W przypadku wykrycia usterek należy skontaktować się z najbliższym Punktem Serwisowym.

UWAGA! Użytkowanie kuchenki przez dzieci bez nadzoru rodziców jest dozwolone tylko w sytuacji, gdy zostały one odpowiednio poinstruowane i są one zdolne do korzystania z kuchenki w bezpieczny sposób rozumiejąc zagrożenia jakie niesie ze sobą jej niezgodne z instrukcją użytkowanie.

- Nie zostawiaj włączonego urządzenia bez nadzoru.

Nie używaj akcesoriów, które nie są dołączone do zestawu wraz z urządzeniem.

W przypadku uszkodzenia przewodu zasilającego jego wymiany, aby uniknąć niebezpieczeństw, powinien dokonać producent lub upoważniony przez niego Punkt Serwisowy bądź podobny wykwalifikowany personel.

UWAGA! W przypadku uszkodzenia drzwiczek lub uszczelek drzwiczek kuchenki nie wolno używać, dopóki wykwalifikowany specjalista nie wyeliminuje usterek.

UWAGA! Aby uniknąć zagrożenia zwiększonego wycieku promieniowania mikrofalowego, wszystkie prace związane ze zdejmowaniem wszelkich osłon, powinny być wykonywane jedynie przez specjalistów.

- Należy uważać, aby przewód zasilający nie dotykał ostrych krawędzi i gorących powierzchni.
- Nie ciągnij za przewód zasilający, nie przekręcaj go ani nie nawijaj go wokół urządzenia.
- Używaj kuchenkę mikrofalową jedynie do przygotowywania żywności. W żadnym wypadku nie susz w niej ubrań, papieru, innych przedmiotów.

UWAGA! Płynów lub innych produktów nie wolno podgrzewać w zamkniętych pojemnikach, aby zapobiec ich eksplozji.

- Podczas podgrzewania napojów za pomocą mikrofal może mieć miejsce opóźnione gwałtowne wrzenie, dlatego należy zachować uwagę i ostrożność podczas obchodzenia się z pojemnikami.
- Aby produkty nie pękały podczas gotowania, przed zakładką do kuchenki przekłuwaj nożem lub widelcem twarde skórki lub powłoki, na przykład, ziemniaków, jabłka, kasztanów, kiełbasy itp.
- Podczas podgrzewania pożywienia w plastikowych lub papierowych pojemnikach, należy obserwować kuchenkę, aby zapobiec zapaleniu się.
- Aby zapobiec zapaleniu się w środku kuchenki, należy:
 - unikać przypalania się produktów w wyniku zbyt długiego gotowania;
 - umieszczać produkty w kuchence mikrofalowej bez opakowania, w tym bez folii;
 - W razie zauważenia dymu, należy wyłączyć kuchenkę i trzymać kuchenkę zamkniętą w celu zduszenia przez nią płomienia.
- Zakaz włączania pustej kuchenki. Nie używaj komory do przechowywania żadnych rzeczy.
- Kuchenka mikrofalowa nie jest przeznaczona do konserwowania produktów.
- Nie umieszczaj produktów na samym dnie komory, używaj tylko ze szklanym talerzem.
- Zawartość butelek czy naczyń służących do karmienia dzieci powinna zostać wymieszana lub wstrząśnięta przed podaniem, a także temperatura pokarmu powinna zostać sprawdzona w celu uniknięcia poparzeń.
- Należy przestrzegać przepisów kulinarnych, ale pamiętaj, że niektóre produkty (dżemy, budynie, nadzienia do tortu z migdałów, cukru lub kandyzowane) nagrzewają się bardzo szybko.
- Aby uniknąć zwarcia i uszkodzenia kuchenki, nie dopuszczaj do przedostawania się wody do otworów wentylacyjnych.
- Kuchenka mikrofalowa przeznaczona jest do podgrzewania produktów spożywczych i napojów. Suszenie żywności lub odzieży, jak również grzanie mat, kapci, gąbek, mokrych ubrań i podobnych rzeczy może doprowadzić do obrażeń ciała, zapalenia się i pożaru.

UWAGA:

- Produkty należy gotować w specjalnych naczyniach, nie rozmieszczać bezpośrednio na talerzu szklanym, z wyjątkiem przypadków wyraźnie określonych w przepisie dotyczącym gotowania dania.
- Naczynia powinny być odpowiednie do stosowania w kuchenkach mikrofalowych.
- Odpowiednie do stosowania do gotowania w kuchenke mikrofalowej naczynia należy używać zgodnie z instrukcjami producenta naczyń.
- Pamiętaj, że w kuchenke mikrofalowej zawartość nagrzewa się znacznie szybciej, niż naczynia, dlatego należy bardzo uważać podczas wyjmowania naczyń z kuchenki, ostrożnie otwieraj pokrywę, aby uniknąć poparzenia parą.
- Wstępnie należy usuwać z produktów lub ich opakowań metalowe taśmy i folie
- **Jajka w skorupkach oraz ugotowane na twardo nie powinny być podgrzewane w mikrofalówkach, gdyż mogą eksplodować nawet po zakończeniu gotowania.**
- Niewłaściwe utrzymanie kuchenki w stanie czystym może spowodować zużycie powierzchni, co może niekorzystnie wpływać na pracę urządzenia i stworzyć potencjalne zagrożenie dla użytkownika.
- Jeśli urządzenie przez jakiś czas znajdowało się w temperaturze poniżej 0°C, przed włączeniem musi być przechowywane w temperaturze pokojowej nie krócej niż w ciągu 2 godzin.
- Producent zastrzega sobie prawo, bez dodatkowego powiadomienia, do wprowadzania drobnych zmian w konstrukcji wyrobu, które zupełnie nie wpływają na jego bezpieczeństwo, sprawność ani funkcjonalność.
- Data produkcji jest wskazana na wyrobie i/ albo na opakowaniu, a także w dokumentacji towarzyszącej, w formacie XX.XXXX, gdzie pierwsze dwie liczby „XX” to miesiąc produkcji, następne cztery cyfry „XXXX” to rok produkcji.

NACZYNIA ODPOWIEDNIE DO STOSOWANIA W KUCHENCE MIKROFALOWEJ

UWAGA! Zwracaj uwagę na oznakowanie naczyń i kieruj się zaleceniami producenta.

WŁAŚCIWE NACZYNIA

- **Szkoło żaroodporne** jest najlepszym materiałem do naczyń stosowanych do gotowania w kuchenke mikrofalowej.
- **Tworzywa sztuczne odporne na wysoką temperaturę** – w takich naczyniach nie należy gotować żywności o wysokiej zawartości tłuszczu lub cukru. Nie można używać szczelnie zamykanych pojemników.
- **Fajans i porcelana** – nadają się do gotowania w kuchenke mikrofalowej, z wyjątkiem naczyń połączonych, posrebrzanych lub posiadających ozdobne elementy metalowe.
- **Opakowanie wyspecjalizowane** (z papieru, tworzywa sztucznego itp.), przeznaczone do kuchenek mikrofalowych – ściśle trzymać się zaleceń producenta.

NIEWŁAŚCIWE NACZYNIA

- **Folia do przechowywania produktów, a także worki foliowe PE odporne na wysoką temperaturę** – nie nadają się do smażenia mięsa ani innych dowolnych produktów.
- **Naczynia metalowe (z aluminium, stali nierdzewnej, itp.) i folia spożywcza z aluminium*** – ekranizują mikrofałe; przy kontakcie ze ściankami komory do gotowania mogą powodować iskrzenie oraz zwarcie w procesie gotowania.
- * Można stosować w celu nawinięcia w jedną warstwę poszczególnych części produktu, aby uniknąć przegrzania i przypalenia się. Nie dopuszczać do kontaktu ze ścianami, odległość od nich nie powinna być mniejsza niż 2 cm.
- **Topliwe tworzywa sztuczne** – nie nadają się do gotowania w kuchenke mikrofalowej.
- **Naczynia lakierowane** – pod wpływem mikrofal lakier może zostać roztopiony.
- **Zwykłe szkło (w tym figurowe i grube)** – pod wpływem wysokiej temperatury może ulec zniekształceniu.
- **Papier, słomka, drewno** – pod wpływem wysokiej temperatury mogą się zapalić.
- **Naczynia z melaminy** – może absorbować promieniowanie mikrofalowe, co powoduje ich pęknięcie lub destrukcję termiczną i znacznie wydłuża czas gotowania.

JAK SPRAWDZIĆ, CZY NACZYNIA SĄ ODPOWIEDNIE DO STOSOWANIA W KUCHENCE MIKROFALOWEJ?

- Włącz kuchenkę i ustaw przełącznik trybu pracy na maksymalną moc (maksymalna temperatura), umieść w środku kuchenki na okres 1 minuty sprawdzany pojemnik i umieść obok szklankę wody (~ 250 ml).
- Pojemnik nadający się do gotowania dań w kuchenke mikrofalowej pozostanie w tej samej temperaturze, co i przed włożeniem do pieca, podczas gdy woda się podgrzeje.

PRZYDATNE WSKAZÓWKI

- Nie używaj naczyń z wąską szyjką, butelek, ponieważ mogą eksplodować.
- Nie używaj termometrów do pomiaru temperatury produktów. Należy stosować tylko specjalne termometry przeznaczone do kuchenek mikrofalowych.

PRZED WEZWANIEM SERWISU

- Jeśli kuchenka nie może być włączona, sprawdź:
 - sprawność gniazda elektrycznego oraz czy jest napięcie w gniazdku;
 - poprawność ustawienia timera;
 - czy są dokładnie zamknięte drzwiczki.

ZAKŁÓCENIA RADIOWE

- Mikrofałe mogą spowodować zakłócenia w pracy radia, telewizora, czy innego sprzętu tego rodzaju.
- Aby zminimalizować zakłócenia radiowe:
 - regularnie wycyszczaj drzwiczki i powierzchnie uszczelek;
 - ustaw telewizor i radio jak najdalej od kuchenki mikrofalowej;
 - zmienić położenie anteny radiowej czy telewizyjnej. w celu osiągnięcia lepszych wyników
 - podłącz kuchenkę mikrofalową do innego gniazda tak, aby była podłączona do innego obiegu niż odbiornik.

NASTAWIANIE

- Upewnij się, że wewnątrz kuchenki nie są materiałów opakowaniowych ani ciał obcych.
- Sprawdź czy nie są uszkodzone podczas transportu:

- drzwiczki i uszczelki;
- obudowa i okienko;
- ścianki komory.
- W przypadku stwierdzenia jakichkolwiek wad nie włączaj kuchenki; skontaktuj się ze sprzedawcą lub centrum serwisowym.
- Ustaw kuchenkę mikrofalową na równej, poziomej powierzchni, wystarczająco mocnej, aby wytrzymała ciężar kuchenki wraz z produktami i naczyniami.
- Nie umieszczaj kuchenki w pobliżu źródeł ciepła.
- Na kuchence mikrofalowej nie wolno ustawiać żadnych przedmiotów. Nie należy blokować otworów wentylacyjnych.
- Nie należy kuchenki mikrofalowej umieszczać w szafce. W celu zapewnienia normalnej pracy kuchenki należy zapewnić wolną przestrzeń do wentylacji: nie mniejszą niż: 20 cm od góry, 10 cm ze strony panelu tylnego oraz nie mniej niż 5 cm z boków.

TECHNIKI GOTOWANIA W KUCHENCIE MIKROFALOWEJ

- Umieszczaj produkty tylko w jednej warstwie, grubsze kawałki umieszczaj bliżej brzegów
 - Nadzoruj czas gotowania, należy ustawiać go najpierw w pozycji minimalnej a następnie stopniowo zwiększać w miarę potrzeby. W przypadku zbyt długiego gotowania produkty mogą dymić i zapalić się.
- NOTATKA:** Czas gotowania może się różnić w zależności od kształtu, wielkości i rozmieszczenia produktów. Duże i grube kawałki przygotowują się dłużej, a małe – szybciej.
- Przykrywaj produkty specjalnymi osłonami lub plastikiem, odsłaniając jeden z kątów w celu odprowadzenia nadmiaru pary. Pokrywy bardzo mocno się nagrzewają – należy obchodzić się z nimi ostrożnie.
 - W celu osiągnięcia bardziej równomiernego nagrzewania i przyspieszenia gotowania należy obracać i mieszać produkty.
 - Okrągłe, owalne naczynia są bardziej polecane niż kwadratowe czy prostokątne, gdyż są lepiej nagrzewane.
 - Rozmrażaj produkty bez opakowania w płytkiej tacy, obowiązkowo używaj obrotowy szklany talerz. Kiedy zamrażasz produkty, nadawaj im możliwie zwartą formę.
 - Odległość między produktami, na przykład, warzywami, ciastkami itp. nie powinna być mniejsza niż 2,5 cm, aby zapewnić równomierną obróbkę.
 - Przekłuwaj twardą skórkę lub powłokę, aby uniknąć zerwania produktu.
 - Podgrzewaj tylko gotowe i schłodzone produkty, mieszając ich.
 - Popcorn - ściśle przestrzegaj instrukcji producenta i nie pozostawaj kuchenki mikrofalowej bez nadzoru. Jeśli produkt nie jest gotowy we właściwym czasie, przerwij gotowanie. Zbyt długotrwałe gotowanie może spowodować pożar.

UPRZEDZENIE Nie używaj pakietów z brązowego papieru do gotowania popcorn i nie próbuj używać pozostałości ziaren. Nie umieszczaj opakowań z popcornem bezpośrednio na szklanym talerzu, położyć go na dodatkowym talerzu.

PRACA

- Urządzenie należy włączyć do sieci elektrycznej.
- Przy każdym naciśnięciu jakiegokolwiek przycisku rozbrzmiewa się sygnał dźwiękowy potwierdzający naciśnięcie.

USTAWIANIE AKTUALNEGO CZASU

- Nacisnąć przycisk ZEGAREK
- Nacisnąć przycisk COFNIECIE
- Za pomocą przycisków z cyframi należy ustawić aktualny czas. On będzie pokazywany na wyświetlaczu.
- Nacisnąć przycisk ZEGAREK jeszcze raz.
- **UWAGA:** Czas ustawia się w trybie 12-godzinowym. Podczas przyrządzania potrawy da się obejrzeć, która jest godzina, w tym celu należy nacisnąć przycisk ZEGAREK.

USTAWIANIE POZIOMU MOCY

- Można wybrać moc przygotowania w skali 0-100%, w tym celu należy nacisnąć przycisk MOC, i za pomocą przycisków z cyframi ustawić potrzebny poziom zgodnie z poniższą tabelą.

Numer	% Moc
1,0	100%
9	90%
8	80%
7	70%
6	60%
5	50%
4	40%
3	30%
2	20%
1	10%
0	0%

- **PRZYPIS:** Jeśli chcesz tymczasowo wstrzymać proces gotowania, naciśnij przycisk CZAS jeden raz, kuchenka mikrofalowa przejdzie do trybu wyboru sposobu gotowania; możesz również nacisnąć przycisk PAMIĘĆ, aby

aktywować tryb składający się z kilku etapów. W trakcie gotowania możesz sprawdzić poziom mocy, naciskając przycisk MOC.

USTAWIANIE CZASU PRZYRZĄDZANIA POTRAWY

- Nacisnąć przycisk CZAS.
- Za pomocą przycisków z cyframi należy ustawić czas przyrządzenia potrawy od 1 sekundy do 99 minut 99 sekund.

ROZPOCZĘCIE PRACY

- W celu rozpoczęcia przyrządzenia potrawy należy nacisnąć przycisk START.

EKSPRESOWE PRZYRZĄDZANIE POTRAW

- Tę funkcję należy wykorzystywać dla włączenia najbardziej popularnych trybów czasu.
- Nacisnąć przycisk EKSPRES:

- 15 sekundpojedyncze naciśnięcie przycisku
- 30 sekund.....podwójne naciśnięcie przycisku
- 1 minuta.....potrójne naciśnięcie przycisku
- 2 minuty.....nacisnąć przycisk 4 razy

- W tym trybie urządzenie będzie działało na maksymalnej mocy.
- Odpowiedni czas będzie pokazywany na wyświetlaczu, po czym należy nacisnąć przycisk START.

ROZMRAŻANIE WG WAGI

- Zobaczmy, jak działa opcja rozmrażania wg wagi na konkretnym przykładzie.
- Załóżmy, że trzeba rozmrozić 60 deka krewetek.
- Należy nacisnąć przycisk ROZMRAŻANIE WG WAGI trzy razy. Na wyświetlaczu pojawi się napis d3.
- Za pomocą przycisków z cyframi należy ustawić wagę produktu.
- Nacisnąć przycisk START.
- UWAGA: W poniższej tabeli podaje się maksymalną wagę każdego rodzaju żywności.

Rodzaj żywności	Maksymalna waga	Wyświetlacz
Mięso	230 dg	d1
Drób	400 dg	d2
Owoce morza	90 dg	d3

- Jeżeli maksymalna waga produktu jest większa, niż podana w tabeli, należy zastosować opcję ROZMRAŻANIE WG CZASU.

ROZMRAŻANIE WG CZASU

- Nacisnąć przycisk ROZMRAŻANIE WG CZASU.
- Za pomocą przycisków z cyframi należy ustawić potrzebny czas rozmrażania.
- Nacisnąć przycisk START.
- można było przewrócić. Przy tym będzie rozbrzmiewał się sygnał przypominający. Po naciśnięciu przycisku START rozmrażanie będzie kontynuowane.

PRZYGOTOWANIE

- Urządzenie pozwala na łączenie kilku opcji. Na przykład, chcą Państwo najpierw rozmrażać 5 minut na mocy 100%, a potem 10 minut na mocy 50%.
- W tym celu:
- Nacisnąć przycisk COFNIECIE.
- Nacisnąć przycisk ROZMRAŻANIE WG CZASU.
- Za pomocą przycisków z cyframi ustawić potrzebny czas rozmrażania.
- Nacisnąć przycisk PAMIĘĆ.
- Nacisnąć przycisk CZAS.
- Za pomocą przycisków z cyframi ustawić czas 5 minut.
- Nacisnąć przycisk MOC i wybrać poziom mocy, jak podano powyżej.
- Nacisnąć przycisk CZAS.
- Za pomocą przycisków z cyframi ustawić czas 10 minut.
- Nacisnąć przycisk PAMIĘĆ.
- Nacisnąć przycisk MOC i wybrać poziom mocy, jak podano powyżej.
- Nacisnąć przycisk START.

USTAWIANIE OCHRONY PRZED DZIEĆMI

- Ta opcja wykorzystuje się w celu ochrony urządzenia przed włączeniem przez dzieci.
- Dla aktywacji tego zablokowania należy nacisnąć i utrzymywać przycisk COFNIECIE przez 3 sekundy. Na wyświetlaczu wyświetli się wskaźnik zablokowania, i póki jest wyświetlany, urządzenia nie da się otworzyć albo nacisnąć jego przycisków.
- W celu odblokowania należy nacisnąć i utrzymywać przycisk COFNIECIE przez 3 sekundy jeszcze raz.

OPÓŹNIENIE STARTU

- Ta funkcja umożliwia rozpoczęcie przygotowywania dań w odpowiednim czasie.
- Naciśnij przycisk OPÓŹNIENIE STARTU jeden raz.
- Za pomocą przycisków numerycznych ustaw czas opóźnienia.

- Ustaw program gotowania (z wyłączeniem programu EXPRESS).
- Naciśnij przycisk START.

CZYSZCZENIE I KONSERWACJA

- Kuchenkę należy regularnie czyścić i usuwać z jej powierzchni wszelkie pozostałości żywności.
- Przed czyszczeniem wyłącz i odłącz kuchenkę od zasilania elektrycznego.
- Oczekaj, aż kuchenka całkowicie ostygnie.
- Wytrzyj panel sterowania, zewnętrzne i wewnętrzne powierzchnie, uszczelki, szklany talerz wilgotną szmatką z detergentem.
- Nie używaj żadnych agresywnych środków chemicznych ani substancji ściernych.
- Aby usunąć nieprzyjemny zapach, wlej do jakiejś głębokiej miski, którą można stosować do mikrofali, szklankę wody z sokiem z jednej cytryny i umieść w kuchence. Ustaw timer na okres 5 minut, ustaw przełącznik trybu pracy w pozycji maksymalnej. Gdy rozlegnie się sygnał dźwiękowy i kuchenka wyłączy się, wyjmij naczynie i wytrzyj ścianki komory suchą szmatką.

PRZECHOWYWANIE

- Upewnij się, że kuchenka jest odłączona od sieci elektrycznej i całkowicie ostygła.
- Spełniaj wszystkie wymagania określone w sekcji CZYSZCZENIE I KONSERWACJA.
- Przechowaj kuchenkę mikrofalową z uchylonymi drzwiczkami w suchym, czystym miejscu.



- Ten symbol umieszczony na wyrobie, opakowaniu i/lub dołączonej dokumentacji oznacza, że zużytych urządzeń elektrycznych i elektronicznych oraz baterii nie należy wyrzucać wraz ze zwykłymi odpadami gospodarstwa domowego. Należy je oddawać do specjalnych punktów odbioru.
- Aby uzyskać więcej informacji na temat istniejących systemów zbierania odpadów, należy skontaktować się z władzami lokalnymi.
- Prawidłowa utylizacja pomaga oszczędzać cenne zasoby i zapobiec ewentualnym negatywnym wpływom na zdrowie ludzi i stan środowiska naturalnego, które mogą powstać w wyniku niewłaściwego postępowania z odpadami.