
项目名称

W2325

版本号

S00

设计时间

2023/10/13

物料名称

说明书

设计师

章静

审核

批准

料号

04170500001885

材质工艺要求:

材质要求: 封面 :157g 哑粉纸过油, 内页 :68g 哑粉, 胶装

颜色及专色: 单色印刷

尺寸要求: 140mm*210mm

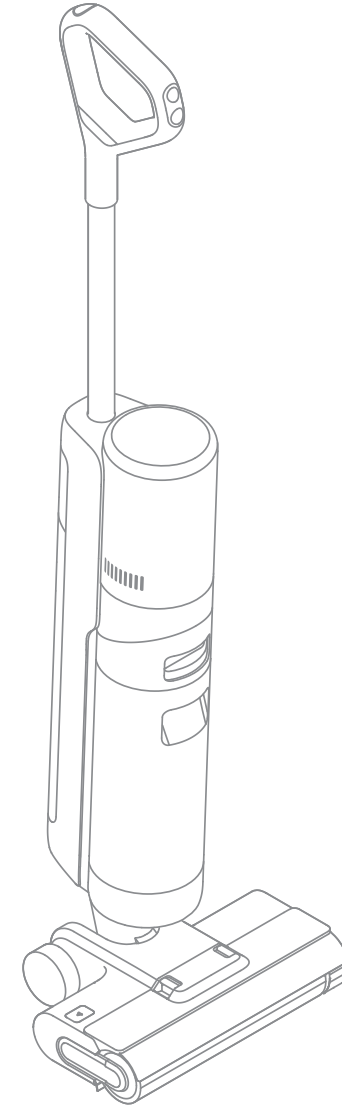
注: 封底 “YYYY-MM” 为实际印刷日期

变更履历:

- The word "dreame" is the abbreviation of Dreame Technology Co., Ltd. and its subsidiaries in China. It is the transliteration of the company's Chinese name "追觅", which means striving for excellence in every endeavor and reflects the company's vision of continuous pursuit, exploration and search in technology.
- Das Wort "dreame" ist die Abkürzung von Dreame Technology Co., Ltd. und seinen Tochterunternehmen in China. Es ist die Transliteration des chinesischen Namens "追觅" dieser Firma, was für das Streben nach Vollendung steht und die Vision des Unternehmens widerspiegelt, nämlich im Bereich der Technologie unaufhaltsam weiterzustreben, zu erforschen und entdecken.
- Dreame est l'abréviation de l'entreprise chinoise Dreame Technology Co., Ltd. et ses filiales, qui est la traduction phonétique du nom chinois de l'entreprise « 追觅 », reflétant la vision de l'entreprise qui consiste à poursuivre, explorer et rechercher constamment les avancées technologiques.
- La parola "dreame" è l'abbreviazione dell'azienda Dreame Technology Co., Ltd. e delle sue filiali in Cina. È la traslitterazione del nome cinese dell'azienda "追觅", che dimostra la continua ricerca, esplorazione e visione di ricerca dell'azienda nella tecnologia.
- La palabra "dreame" es la abreviatura de Dreame Technology Co., Ltd. y sus subsidiarias en China. Es la transliteración del nombre chino de "追觅", que significa luchar por la excelencia en cada esfuerzo y refleja la visión de la compañía de continuamente buscar, explorar e investigar en tecnologías.
- Dreame — сокращённое название китайской компании Dreame Technology Co., Ltd. и ее дочерних предприятий. Dreame является транслитерацией названия компании на китайском языке « 追觅 », в котором отражено корпоративное видение компании в сфере науки и технологий — непрерывный поиск, исследования и стремление к успеху.
- Dreame -қытайлық Dreame Technology Co., Ltd. компаниясының қысқартылған атауы және оның еншілес кәсіпорындары болып табылады. Dreame бұл қытай тіліндегі компания атауының транслитерациясы, онда компанияның ғылым мен технология саласындағы корпоративтік көзқарасы -үздіксіз іздеу, зерттеу және табысқа ұмтылу бейнеленген.
- คำว่า "dreame" เป็นชื่อย่อของ Dreame Technology Co., Ltd. และบริษัทย่อยในประเทศไทย เป็นคำทับศัพท์ของ "追觅" ชื่อภาษาจีนของบริษัท ซึ่งหมายถึงมีความพยายามมุ่งมั่นเพื่อสร้างความเป็นเลิศ และสะท้อนให้เห็นถึงวิสัยทัศน์ของบริษัทในการแสวงหา การพัฒนา และการค้นคว้าทางเทคโนโลยีอย่างต่อเนื่อง
- Dreame" là từ viết tắt của Dreame Technology Co., Ltd. và các công ty con của nó tại Trung Quốc. Đây là phiên âm từ tên tiếng Trung của công ty "追觅", với ý nghĩa luôn nỗ lực để đạt được sự xuất sắc, đồng thời phản ánh tầm nhìn của công ty về việc không ngừng theo đuổi, khám phá và tìm kiếm trong lĩnh vực công nghệ.

Dreame H12S

Wet and Dry Vacuum User Manual



Website: <https://global.dreame.tech.com>
 Manufactured by: Dreame Trading (Tianjin) Co., Ltd.
 Made in China

YYYY-MM

HHR30B-EU-A00



The illustrations in this manual are for reference only.
 Please refer to the actual product.

DREAME

THANK YOU

FOR PURCHASING THIS DREAME
WET AND DRY VACUUM.

Registration Quick Start

Welcome to register a Dreame account by scanning the QR code. You are available for the **User Manual** and **Special Offers**.



The high-quality product is engineered for optimal performance. If you have any questions on the product, please contact us: aftersales@dreame.tech.

Contents

EN	User Manual	001
DE	Benutzerhandbuch	020
FR	Manuel d'utilisation	040
IT	Manuale utente	059
ES	Manual de usuario	078
RU	Руководство пользователя	097
KK	Пайдаланушы нұсқаулығы	116
TH	คู่มือการใช้งาน	134
VI	Hướng Dẫn Sử Dụng	153

Important Safety Instructions

Please read this manual carefully before use and retain it for future reference.

When using an electrical appliance, basic precautions should always be followed, including the following:

READ ALL INSTRUCTIONS BEFORE USING (THIS APPLIANCE). Failure to follow the warnings and instructions may result in electric shock, fire and/or serious injury.

WARNING — To reduce the risk of fire, electric shock, or injury:

Usage Restrictions

- This appliance should not be used by children younger than 8 years old nor persons with physical, sensory, intellectual deficiencies, or limited experience or knowledge without the supervision of a parent or guardian to ensure safe operation and to avoid any risks. Cleaning and maintenance shall not be performed by children without supervision.
- Plastic film can be dangerous. To avoid the danger of suffocation, keep it away from children.
- Children shall not play with the appliance.
- Use indoors only, on non-carpeted floor surfaces such as vinyl, tile, sealed wood, etc. Be careful not to run over loose objects or the edges of area rugs. Stalling the brush may result in premature belt failure.
- Use only as described in this user guide. Use only manufacturer's recommended attachments.
- Do not expose the appliance to fire or excessive temperature. Exposure to fire or excessive temperature may cause an explosion.
- Do not use in extremely hot or cold environments (below 5°C /41°F or above 40°C /104°F). Please charge the appliance in temperature above 5°C /41°F and below 40°C /104°F).
- Do not immerse the appliance in liquid.
- Do not use to pick up flammable or combustible liquids, such as gasoline. Do not use in areas where flammable or combustible liquids may be present.
- Do not put any object into openings. Do not use the appliance when any opening is blocked. Keep free of dust, lint, hair, and anything that may inhibit air flow.
- Do not pick up toxic material (chlorine bleach, ammonia, drain cleaner, etc.). Do not pick up hard or sharp objects such as glass, nails, screws, coins, etc.
- Do not use the appliance in an enclosed space filled with vapor given off by oil-based paint, paint thinner, some moth-proofing substances, flammable dust, or other explosive or toxic vapour. Do not pick up anything that is burning or smoking, such as cigarettes, matches or hot ashes.
- Do not use the appliance without filters in place.
- Keep hair, loose clothing, fingers, and all parts of the body away from openings and moving parts of the appliance and its accessories.
- Keep ground cables away from the appliance when using it. A hazard may occur if the appliance runs over a supply cord.
- Use extra care when cleaning on stairs.

Important Safety Instructions

Maintenance and Storage

- Prevent unintentional starting. Ensure the switch is in the OFF-position before picking up or carrying the appliance. Carrying the appliance with your finger on the switch or turning on the appliance may result in an accident.
- Ensure that the appliance is placed on a horizontal surface. Do not use the appliance at the same position if the appliance is equipped with a brush roller and the handle is not completely upright. Do not store the appliance in a place where it may freeze.
- Switch off and unplug the appliance when not in use, before cleaning, maintaining or servicing it, and before connecting or disconnecting it with a moving brush.
- Do not use an appliance that is damaged or modified. A damaged or modified appliance may exhibit unpredictable behavior resulting in fire, explosion, or risk of injury.
- Do not modify or attempt to repair the appliance except as indicated in the instructions for use and care.
- Do not use the appliance with a damaged attachment (eg: charging base, supply cord etc.). If the appliance or attachment has been dropped, damaged, left outdoors, dropped into water, or is not working as it should, never attempt to operate it. Please have it repaired at an authorized service center.
- Have servicing performed by a qualified repair person using only identical replacement parts. This will ensure that the safety of the appliance is maintained.

Battery and Charging

- For the purpose of recharging the appliance, only use the charging base provided with this appliance. Use only with HCBG charging base.
- Follow all charging instructions and do not charge the appliance outside of the temperature range specified in the battery as doing so increases the risk of fire.
- Charging base is equipped with drying function and only suitable for drying this appliance's brush.
- Keep the charging base cable away from heated surfaces. Do not handle the charging base plug or appliance with wet hands. To unplug, grasp the charging base plug, rather than the cable.
- Do not pull or carry charging base by cable, use cable as a handle, close door on cable, or pull cable around sharp edges or corners.
- This appliance contains batteries that can only be replaced by qualified technicians or after-sales service.
- The lithium-ion battery pack contains substances that are hazardous to the environment. Before disposing of the appliance, please first remove the battery pack, then discard, or recycle it in accordance with local laws and regulations of the country or region it is used in.
- The appliance must be disconnected from the power supply when removing the battery. Keep batteries out of the reach of children. Never put batteries in mouth. If swallowed, contact your physician or local poison control.
- Under abusive conditions, never contact the battery from which the liquid may be ejected. If contact accidentally occurs, rinse with water. If liquid contacts eyes, seek medical help immediately. Liquid ejected from the battery may cause irritation or burns.

Important Safety Instructions

Symbols



Class II equipment



Time-lag miniature fuse-link where T 3.15A is the symbol for the time/current characteristic



Detachable supply unit



Read operator's manual



WEEE Information

All products bearing this symbol are waste electrical and electronic equipment (WEEE as in directive 2012/19/EU) which should not be mixed with unsorted household waste. Instead, you should protect human health and the environment by handing over your waste equipment to a designated collection point for the recycling of waste electrical and electronic equipment, appointed by the government or local authorities. Correct disposal and recycling will help prevent potential negative consequences to the environment and human health. Please contact the installer or local authorities for more information about the location as well as terms and conditions of such collection points.

SAVE THESE INSTRUCTIONS

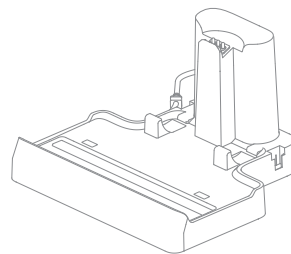
For Household Use Only

We, Dreame Trading (Tianjin) Co., Ltd., hereby declares that this equipment is in compliance with the applicable Directives, European Norms, and amendments. The full text of the EU declaration of conformity is available at the following internet address: <https://global.dreame.tech.com>

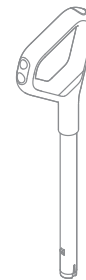
For detailed e-manual, please go to <https://global.dreame.tech.com/pages/user-manuals-and-faqs>

Product Overview

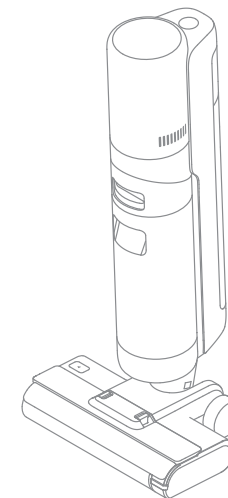
Packing List



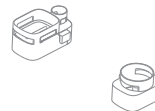
Charging Base



Handle



Main Body



Storage Box



Cleaning Brush

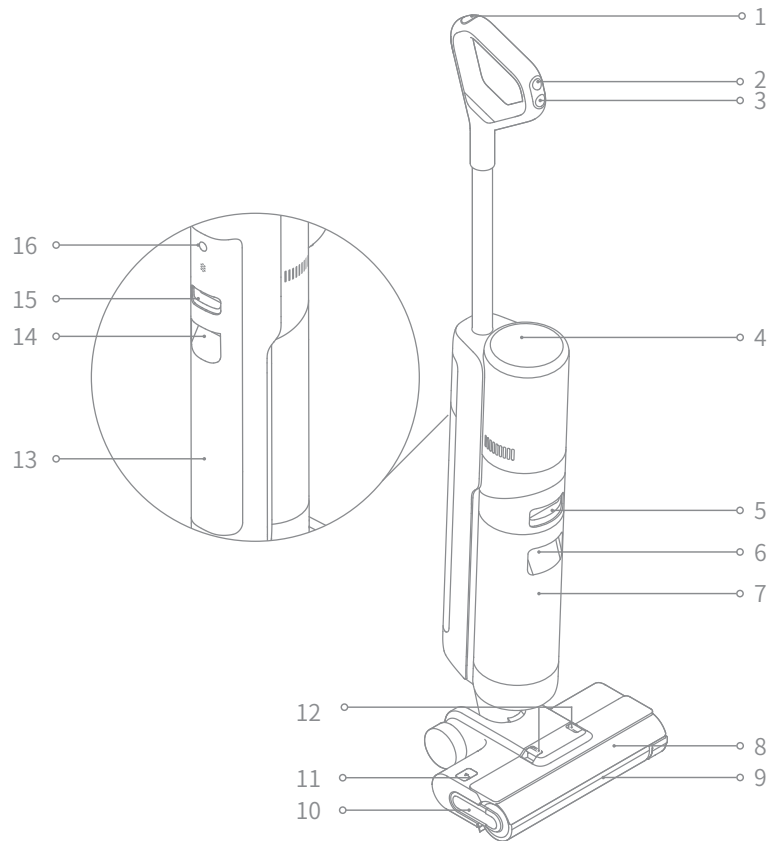


Spare Brush Roller



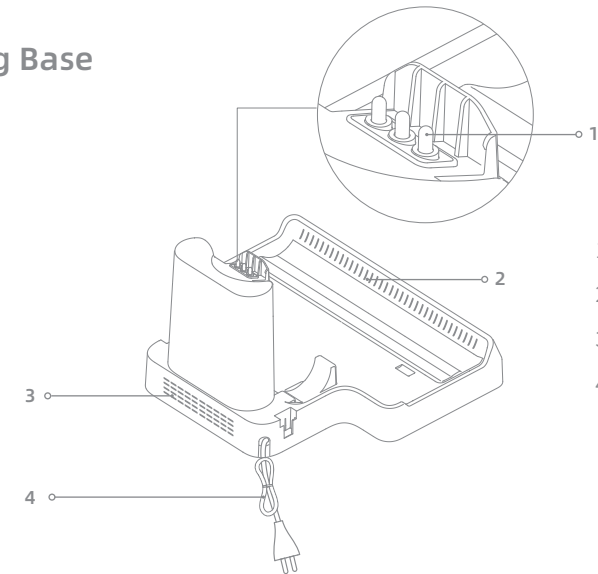
Replacement Filter

Wet and Dry Vacuum



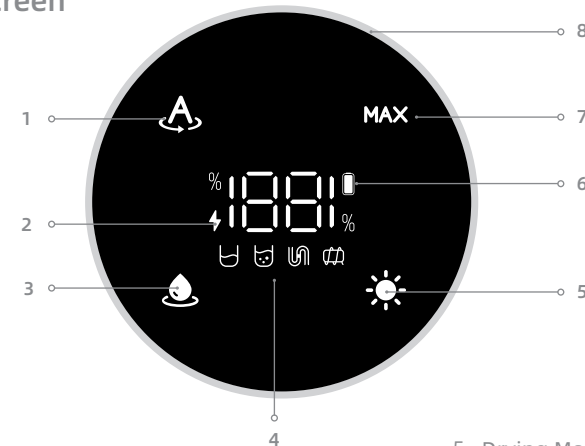
- | | | |
|-----------------------------------|--|---|
| 1. Self-Cleaning Button | 8. Brush Roller Cover | 15. Clean Water Tank Release Button |
| 2. Mode Switch | 9. Brush Roller | 16. Voice Prompt Button |
| 3. Power Switch | 10. Brush Roller Handle | <ul style="list-style-type: none"> • Press briefly to activate the voice prompt or adjust the volume. • Press and hold for 3 seconds to set the language. Press to switch between languages. Press and hold to confirm the selection. |
| 4. Display Screen | 11. Brush Roller Release Button | |
| 5. Used Water Tank Release Button | 12. Brush Roller Cover Release Buttons | |
| 6. Used Water Tank Handle | 13. Clean Water Tank | |
| 7. Used Water Tank | 14. Clean Water Tank Handle | |

Charging Base



1. Charging Contacts
2. Air-Drying Outlet
3. Air-Drying Inlet
4. Power Cord

Display Screen



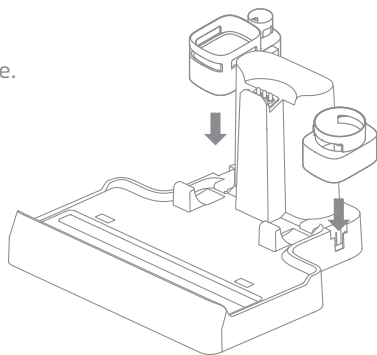
- | | | |
|-----------------------|--|--|
| 1. Auto Mode | 4. Error Messages | 5. Drying Mode |
| 2. Charging Indicator | <ul style="list-style-type: none"> • Breathing Orange: Battery level \leq 20% • Breathing Green: Battery level $>$ 20% | 6. Low Battery Indicator |
| 3. Suction Mode | <ul style="list-style-type: none"> • Insufficient water in the Clean Water Tank • Used Water Tank full • Blocked tube • Brush roller stuck | 7. Turbo Mode |
| | | 8. Dust Concentration Indicator |
| | | The color of the curve changes with the amount of dust in real time. |

Note: If the appliance is not working properly, the screen display will show an error message. Please refer to the troubleshooting table to find your solution.

Installation

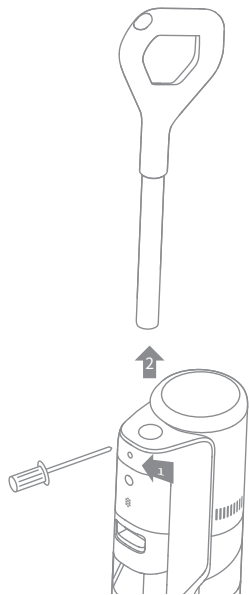
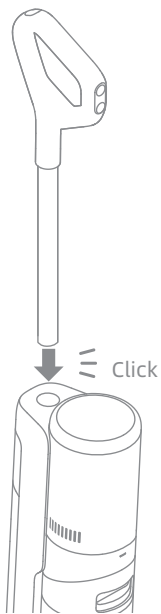
Installing the Storage Box

Install the storage box onto the charging base.



Installing the Handle

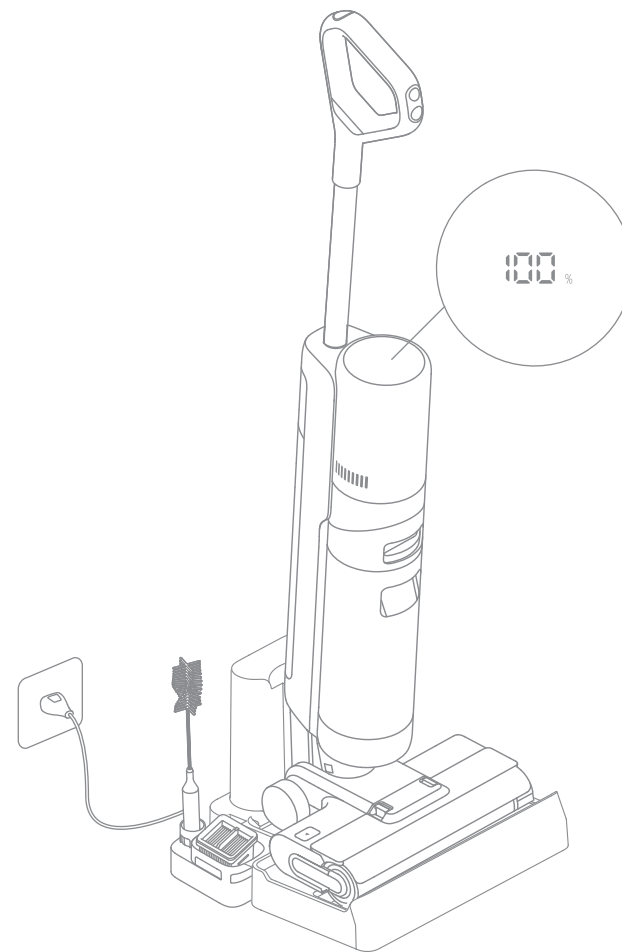
Insert the end of the handle vertically into the port on the top of the vacuum as indicated until you hear a click.



Note: To disassemble, press the contacts in the hole on the back of the appliance with the appropriate tool and pull the handle upwards at the same time.

Charging

1. Place the charging base against a wall on level ground and connect it to a power source. Fully charge the appliance before first use.
2. Place the appliance on the charging base. When charging, the number on the display screen represents the current battery level as a percentage. When the number reaches 100, the battery is fully charged.



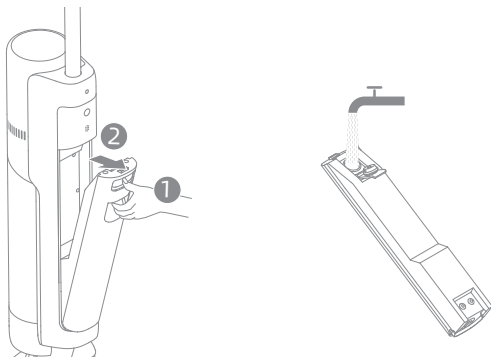
Note:

- If there is no operation within 10 minutes of being fully charged, the vacuum will enter sleep mode. Please restart the appliance if you need to use it.
- To extend the battery life time, the battery keeps cooling down for about one hour automatically after you have used the appliance for a long time.

How to Use

Filling the Clean Water Tank


Press the Clean Water Tank release button and pull the tank outwards to remove it. Remove the cover of the Clean Water Tank and fill the tank with clean water. Install the Clean Water Tank and ensure it clicks into place.

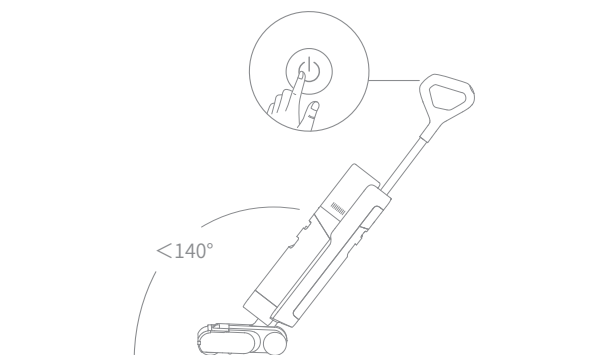


Note:

- For better cleaning performance, it is recommended to add 10ml detergent with the bottle cap into the full Clean Water Tank, then shake gently and evenly for use.
- Do not add any liquids other than the officially-approved cleaner. The cleaner can be available on the official online store.

Starting Cleaning

Gently step on the brush cover and recline the appliance backwards. Press the power switch  to start operating.




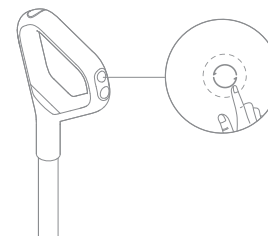
Note:

- Do not vacuum any foamy liquids.
- The appliance will be suspended in the upright position while running.
- The appliance is suitable for cleaning floors, marble, tiles and other hard surfaces.
- Do not recline the appliance backwards more than 140° to prevent the appliance from leaking water.
- When the appliance is in operation, do not lift it off the ground or lay it flat. Doing so may cause the used water to flow into the motor.

How to Use

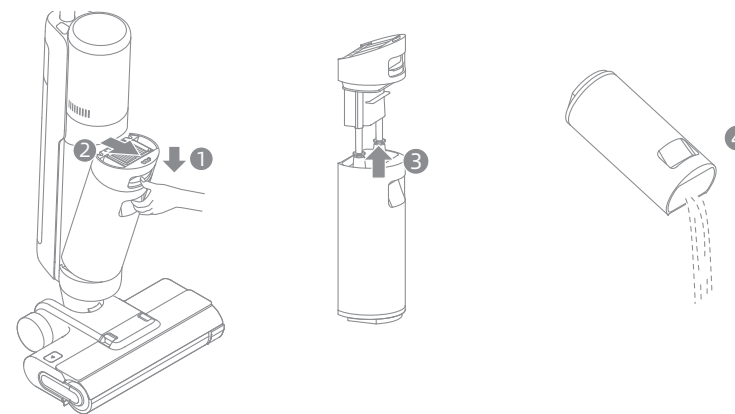
Switching Modes

Press the mode switch  to switch among the Auto mode, Turbo mode and the Suction mode according to your needs.




Cleaning the Used Water Tank

Press the Used Water Tank release button to take out the tank. Remove the tank cover and pour out the used water. Close the tank cover and re-install the tank before use.



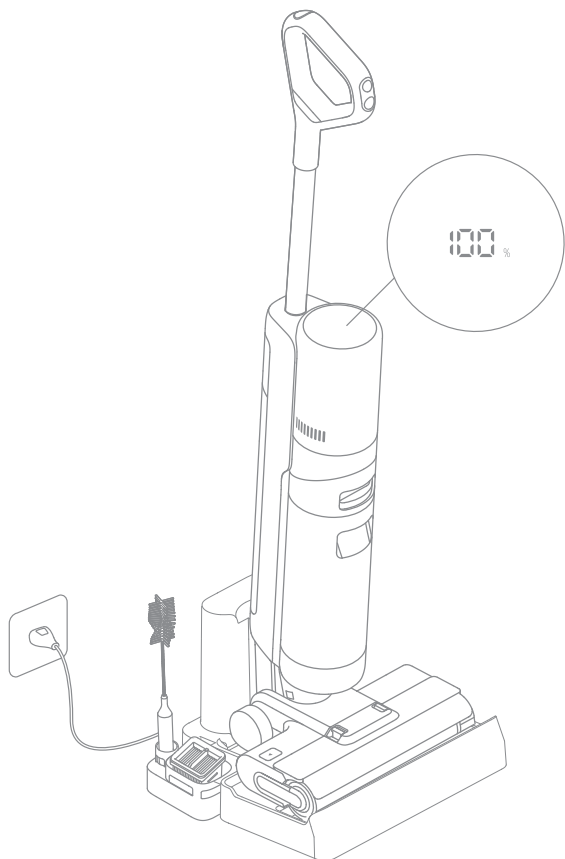
One-Press Self-Cleaning

1. Place the appliance back onto the base while you finish cleaning. Ensure that the water in the Clean Water Tank is sufficient for self-cleaning.
2. Briefly press the self-cleaning button on the top of the handle to start/stop self-cleaning.
3. Please empty the Used Water Tank after self-cleaning is completed and drying mode has been engaged. Press the button  to exit the drying mode.

Note: The self-cleaning function can be enabled only when the appliance is being charged and the battery level is more than 20%.

Drying Mode

1. Press and hold self-cleaning button  for 3 seconds to activate drying mode.
2. The appliance will be charged once drying is completed.



Note:

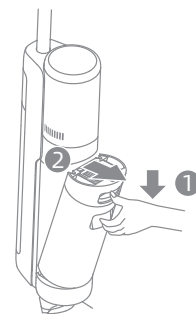
- After self-cleaning is complete, promptly clean the Used Water Tank. Clean the charging base if there are any stains left on the base.
- If cleaning the brush roller manually, please air-dry it thoroughly or dry it by using drying mode several times to ensure a good drying effect.

Tips:

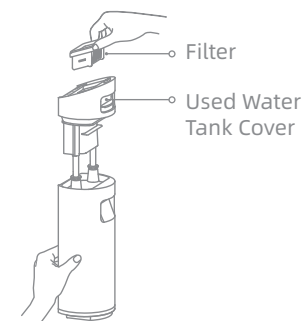
- Turn off the appliance before maintenance. Do not touch the power switch.
- Replace parts if needed. The parts must be replaced by those available from the manufacturer or its service agent.
- If the vacuum is not used for an extended period, fully charge it, unplug the power plug, and store the vacuum in a cool, low-humidity environment away from direct sunlight. To avoid over-discharge of the battery, charge the vacuum at least once every 3 months.

Cleaning the Used Water Tank and the Filter

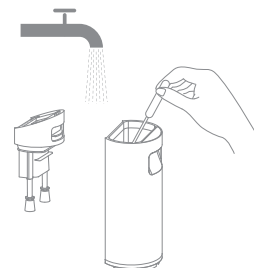
1. Press the Used Water Tank release button, and pull the Used Water Tank outwards to remove it.



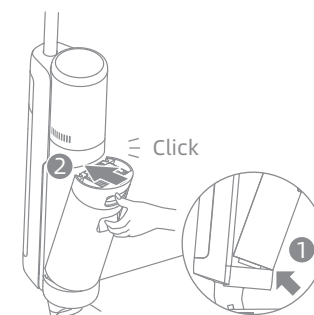
2. Take out the filter from the Used Water Tank cover. Remove the tank cover and pour out the wastewater.



3. Rinse the Used Water Tank and the tank cover with water, the provided cleaning brush can be used to clean the inner wall of the tank.



4. Re-install the filter and the Used Water Tank cover. Then re-install the Used Water Tank until you hear a click.

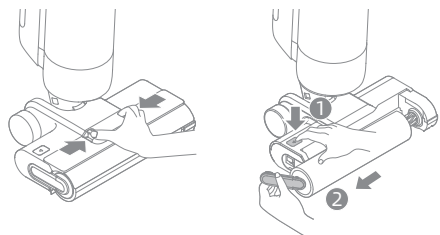


Note:

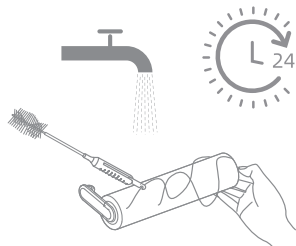
- If the filter is dirty, rinse it with clean water and dry it completely before use.
- Replacing the filter every 3 to 6 months is recommended.

Cleaning the Brush Assembly

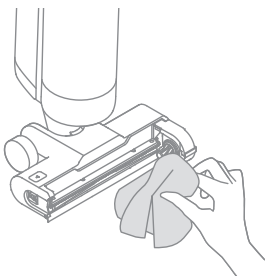
1. First, press the brush roller cover release buttons inwards on both sides to remove the brush roller cover. Press the brush roller release button, and the brush roller handle will pop out. Pull it to take out the brush roller.



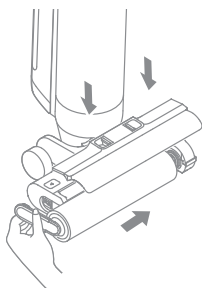
2. Clear any hair and debris caught on the brush roller with the provided cleaning brush. Rinse the brush roller with clean water and dry it completely.



3. Wipe the suction inlet with a dry cloth or wet tissue. Do not rinse the brush assembly with water.



4. Re-install the brush roller and the brush roller cover until you hear a click.

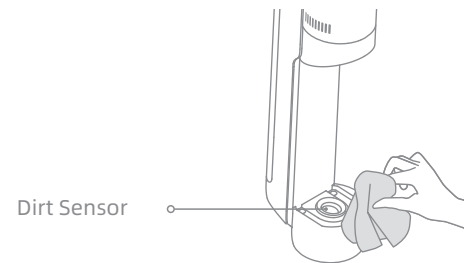


Note:

- Clean as needed. Alternating use of the two provided brush rollers is recommended.
- Replacing the brush roller every 3 to 6 months is recommended.

Cleaning the Tube and the Dirt Sensor

Remove the Used Water Tank, gently wipe the tube and the dirt sensor with a wet cloth before use.



Note: Do not rinse the tube or the dirt sensor.

If an error occurs, the appliance will stop working. Please refer to the following table for troubleshooting. If the problem persists, please contact customer service.





Error	Possible Cause	Solution
The appliance does not work	The appliance is out of battery or its battery level is low	Fully charge its battery before use
	The appliance is in the upright position	Recline the appliance backwards
	Blockage activated overheat protection mode	Clear the blockage and wait until the temperature returns normal
	The Used Water Tank is full	Empty the Used Water Tank
	The parts are not properly installed	Ensure all parts are properly in place
The appliance charges slowly	The temperature of the battery is too low or too high	Wait until the battery's temperature returns normal
The suction power of the appliance is weak	The filter is clogged	Cleaning the filter
	The suction inlet or tube is blocked by a foreign object	Clean the tube and the suction inlet
The motor is making a strange noise	There is too much used water in the Used Water Tank	Empty the Used Water Tank
	The suction inlet is blocked	Clear any blockage in the suction inlet
The dust concentration indicator is solid red	The dirt sensor needs cleaning	The dirt sensor is in the tube. Follow tube cleaning instructions
	The cleaning solution concentration is too high	Dilute the cleaning solution with water at the recommended ratio
	A third-party cleaning solution caused a large amount of foam	Use only the officially-approved cleaning solution
The display screen does not light up while charging	The charging base cable is not plugged into the electrical outlet	Make sure the charging base cable is plugged in
	The appliance is not placed onto the charging base properly	Make sure the appliance is placed onto the charging base properly

No water is coming out of the appliance	The Clean Water Tank is not properly installed in place, or the water in the Clean Water Tank is insufficient	Re-install or fill the Clean Water Tank
	It takes 30 second to dampen the brush roller	Turn on the appliance and check again in 30 seconds
The vent leaks water	A collision or a sharp pull causes water to enter the motor	Move the appliance gently back and forth while it is turned on
	The filter is not completely dry after being cleaned	Dry the filter completely before use
Self-cleaning fails	The brush roller may be jammed by large debris	Open the brush roller cover to check and clean the brush roller
	The appliance is not placed onto the charging base properly	Make sure the appliance is being charged before self-cleaning
	Self-cleaning cannot be enabled if the battery level is lower than 20%	The self-cleaning function can only be enabled when the appliance is being charged and the battery level is more than 20%
Poor drying performance or strange noise while drying	The Used Water Tank is not installed in place, or the Used Water Tank is full	Re-install or empty the Used Water Tank
	The Clean Water Tank is not installed in place, or the water in the Clean Water Tank is insufficient	Re-install or fill the Clean Water Tank
The air outlet and air inlet of the charging base may be blocked	The air outlet and air inlet of the charging base may be blocked	Check and clear the blockage of air outlet and air inlet

For additional services, please contact us via aftersales@dreametech
 Website: <https://global.dreametech.com>

Error Prompts and Solutions

If the appliance is not working properly, the screen display will show an error message. Please refer to the troubleshooting table to find your solution.

Error Icon	Possible Cause	Solution
	Insufficient water in the Clean Water Tank	Fill the Clean Water Tank
	The Used Water Tank is full	Empty the Used Water Tank
	Brush roller stuck	Clean the brush roller with the provided cleaning brush
	Blocked tube	Check whether the filter is clogged Alternatively, clean the tube and the dirt sensor

Error Code	Possible Cause	Solution
E1-E7	Error	Restart the appliance for troubleshooting. If the problem persists, please contact customer service
H1-H6		
H7	Battery overheating	Wait until the battery's temperature returns normal

Specifications

Wet and Dry Vacuum			
Model	HHR30B	Charging Time	approx. 5-6 hours
		Drying time	1 hour
Rated Voltage	21.6 V ---	Charging Voltage	27 V ---
Rated Power	300 W	Used Water Tank Capacity	700 mL
		Clean Water Tank Capacity	900 mL
Charging Base			
Model	HCBG	Rated Power	130 W
Rated Input	220-240 V \sim 50-60 Hz	Rated Output	27 V --- 0.9 A

The rated power of the charging base is the power when the drying function and the charging function are turned on at the same time.

Battery Disposal and Removal

The built-in lithium-ion battery contains substances that are hazardous to the environment. Before disposing of the battery, make sure the battery is removed by qualified technicians and discarded at an appropriate recycling facility.

- the battery must be removed from the appliance before it is scrapped;
- the appliance must be disconnected from the supply mains when removing the battery;
- the battery is to be disposed of safely.

Removal Guide

1. Remove the display screen by rotating it with a tool.
2. Remove the screws on the battery cover in turn and then pry open the cover with proper tools.
3. Unplug the terminals between the battery and PCB board to remove the battery.

CAUTION:

- Before removing the battery, disconnect the power and run out the battery as much as possible.
- Unneeded batteries should be discarded at an appropriate recycling facility.
- Do not expose to high temperature environment to avoid risks of explosion.
- Under abusive conditions, liquid may be ejected from the battery. If contact occurs, flush with water and seek medical help.

Wichtige Sicherheitshinweise

Bitte lesen Sie dieses Handbuch vor der Verwendung sorgfältig durch und bewahren Sie es zum späteren Nachschlagen auf.

Bei der Verwendung eines elektrischen Geräts sollten immer grundlegende Vorsichtsmaßnahmen beachtet werden, einschließlich der folgenden:

LESEN SIE ALLE ANWEISUNGEN, BEVOR SIE DIESES GERÄT VERWENDEN. Die Nichtbeachtung der Warnhinweise und Anweisungen kann zu einem elektrischen Schlag, Brand und/oder schweren Verletzungen führen.

WARNUNG - Um die Gefahr von Bränden, Stromschlägen oder Verletzungen zu verringern:

Nutzungsbeschränkungen

- Um einen sicheren Betrieb zu gewährleisten und Risiken zu vermeiden, darf dieses Produkt nicht von Kindern unter 8 Jahren, von Personen mit körperlichen, sensorischen oder geistigen Einschränkungen oder von Personen mit mangelnden Kenntnissen ohne Aufsicht eines Elternteils oder Vormunds verwendet werden. Kinder dürfen die Reinigung und Wartung nicht ohne Aufsicht durchführen.
- Kunststoffolie kann gefährlich sein. Um die Gefahr des Erstickens zu vermeiden, halten Sie sie von Kindern fern.
- Kinder dürfen nicht mit diesem Produkt spielen.
- Verwenden Sie das Gerät nur in Innenräumen, auf nicht mit Teppichboden versehenen Böden wie Vinyl, Fliesen, versiegeltem Holz usw. Achten Sie darauf, nicht über lose Gegenstände oder Kanten von Teppichen zu fahren. Ein Abwürgen der Bürste kann zu einem vorzeitigen Ausfall des Riemens führen.
- Verwenden Sie das Gerät nur wie in dieser Bedienungsanleitung beschrieben. Verwenden Sie nur das vom Hersteller empfohlene Zubehör.
- Setzen Sie das Gerät keinem Feuer oder übermäßigen Temperaturen aus. Die Exposition gegenüber Feuer oder übermäßiger Temperatur kann eine Explosion verursachen.
- Nicht in extrem heißen oder kalten Umgebungen verwenden (unter 5°C /41° F oder über 40° C/104° F). Bitte laden Sie das Gerät bei Temperaturen über 5°C /41° F und unter 40° C/104° F) auf.
- Tauchen Sie das Gerät nicht in Flüssigkeit.
- Dieses Gerät darf nicht verwendet, um brennbare oder leicht entzündliche Flüssigkeiten wie Benzin aufzunehmen. Dieses Gerät darf nicht in Bereichen verwendet werden, in denen brennbare oder leicht entzündliche Flüssigkeiten vorhanden sein können.
- Setzen Sie kein Objekt in die Öffnungen. Verwenden Sie das Gerät nicht, wenn die Öffnung blockiert ist. Halten Sie sich frei von Staub, Fusseln, Haaren und allem, was den Luftstrom behindern kann.
- Nehmen Sie kein giftiges Material auf (Chlorbleiche, Ammoniak, Abflussreiniger usw.). Heben Sie keine harten oder scharfen Gegenstände wie Glas, Nägel, Schrauben, Münzen usw. auf.
- Verwenden Sie das Gerät nicht in einem geschlossenen Raum, der mit Dämpfen gefüllt ist, die von ölhaltigen Farben, Farbverdünnern, einigen Mottenschutzmitteln, brennbarem Staub oder anderen explosiven oder giftigen Dämpfen abgegeben werden. Nehmen Sie keine brennenden oder rauchenden Gegenstände auf, wie z. B. Zigaretten, Streichhölzer oder heiße Asche.
- Verwenden Sie es nicht ohne eingesetzte Filter.

Wichtige Sicherheitshinweise

- Halten Sie Haare, lose Kleidung, Finger und alle Körperteile von den Öffnungen und beweglichen Teilen des Geräts und seines Zubehörs fern.
- Halten Sie Erdungskabel vom Gerät fern, da eine Gefahr auftreten kann, wenn das Gerät in Betrieb über ein Netzkabel läuft.
- Gehen Sie bei der Reinigung auf Treppen besonders vorsichtig vor.

Wartung und Lagerung

- Verhindern Sie ein unbeabsichtigtes Starten. Vergewissern Sie sich, dass der Schalter in der AUS-Stellung ist, bevor Sie das Gerät in die Hand nehmen oder tragen. Das Tragen des Geräts mit dem Finger auf dem Schalter oder auf dem stromführenden Gerät, das den Schalter eingeschaltet hat, trägt zu Unfällen bei.
- Stellen Sie sicher, dass das Gerät auf einer horizontalen Fläche steht. Verwenden Sie das Gerät nicht an der gleichen Stelle, wenn das Gerät mit einer Walzenbürste ausgestattet ist und der Griff nicht vollständig aufrecht steht. Lagern Sie das Gerät nicht an einem Ort, an dem es einfrieren kann.
- Schalten Sie das Gerät bei Nichtgebrauch vor dem Reinigen, Warten aus, oder bevor Sie es mit einer beweglichen Bürste anschließen oder trennen.
- Verwenden Sie kein Gerät, das beschädigt oder modifiziert ist. Beschädigte oder modifizierte Batterien können ein unvorhersehbares Verhalten zeigen, was zu Feuer, Explosion oder Verletzungsgefahr führen kann.
- Verändern Sie das Gerät nicht und versuchen Sie nicht, es zu reparieren, es sei denn, dies ist in der Gebrauchs- und Pflegeanleitung angegeben.
- Verwenden Sie das Gerät nicht mit einem beschädigten Aufsatz, z. B. Ladekabel usw. Wenn der Aufsatz beschädigt ist, muss es vom Hersteller, seinem Servicepartner oder ähnlichen qualifizierten Personen ersetzt werden, um Gefahren zu vermeiden.
- Lassen Sie die Wartung von einer qualifizierten Reparaturkraft durchführen, die nur identische Ersatzteile verwendet. Dadurch wird sichergestellt, dass die Sicherheit des Produkts erhalten bleibt.

Akku und Aufladen

- Zum Aufladen des Gerätes nur die mitgelieferte Ladestation verwenden. Nur mit HCBG-Ladestation verwenden.
- Befolgen Sie alle Ladeanweisungen und laden Sie das Gerät nicht außerhalb des in der Batterie angegebenen Temperaturbereichs auf, da dies die Brandgefahr erhöht.
- Die Ladestation ist mit einer Trocknungsfunktion ausgestattet und nur zum Trocknen der Bürste dieses Geräts geeignet.
- Halten Sie die Ladestation von beheizten Oberflächen fern. Fassen Sie den Stecker der Ladestation oder das Gerät nicht mit nassen Händen. Um den Netzstecker zu ziehen, greifen Sie nach dem Stecker der Ladestation und nicht nach dem Kabel.
- Ziehen oder tragen Sie Ladestation nicht per Kabel, wobei Sie Kabel als Griff verwenden, Tür am Kabel schließen oder Kabel um scharfe Kanten oder Ecken ziehen.
- Dieses Produkt enthält Batterien, die nur durch qualifizierte Techniker oder Kundendienst ersetzt werden können.
- Der Lithium-On-Akku enthält umweltgefährdende Substanzen. Bevor Sie das Gerät entsorgen, entfernen Sie bitte zuerst den Batteriesatz, dann werfen Sie ihn oder recyceln Sie ihn gemäß den lokalen Gesetzen und Vorschriften des Landes oder der Region, in dem er verwendet wird.
- Das Gerät muss beim Entfernen der Batterie vom Netzteil getrennt werden. Wahren Sie

Wichtige Sicherheitshinweise

die Batterien außerhalb der Reichweite von Kindern auf. Legen Sie niemals Batterien in den Mund. Wenn Sie verschluckt werden, wenden Sie sich an Ihren Arzt oder die örtliche Giftkontrolle.

- Kommen Sie unter missbräuchlichen Bedingungen niemals die Batterie in Berührung, aus der die Flüssigkeit ausgeworfen wird. Wenn die Berührung versehentlich auftritt, spülen Sie mit Wasser ab. Wenn die Flüssigkeit mit den Augen in Berührung kommt, suchen Sie sofort ärztliche Hilfe auf. Die aus der Batterie ausgestoßene Flüssigkeit kann Reizungen oder Verbrennungen verursachen.

Symbole



Gerät der Klasse II



Zeitverzögerung Miniatur Sicherungseinsatz
wobei 3,15 das Symbol für die Zeit/Strom-Kennlinien ist



Abnehmbare Versorgungseinheit



Bedienungsanleitung lesen



WEEE-Informationen

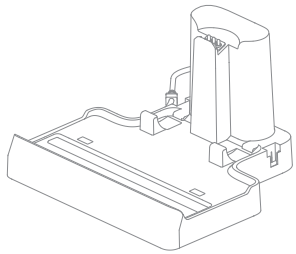
Alle mit diesem Symbol gekennzeichneten Produkte sind Elektroschrott und Elektrogeräte (WEEE entsprechend EU-Richtlinie 2012/19/EU) und dürfen nicht mit unsortiertem Haushaltsmüll vermischt werden. Schützen Sie stattdessen Ihre Mitmenschen und die Umwelt, indem Sie Ihre zu entsorgenden Geräte an eine dafür vorgesehene, von der Regierung oder einer lokalen Behörde eingerichtete Sammelstelle zum Recycling von Elektroschrott und Elektrogeräten bringen. Eine ordnungsgemäße Entsorgung und Recycling helfen, negative Auswirkungen auf die Gesundheit von Umwelt und Menschen zu vermeiden. Wenden Sie sich bitte an den Installateur oder lokale Behörden, um Informationen zum Standort und den allgemeinen Geschäftsbedingungen solcher Sammelstellen zu erhalten.

DIESE ANWEISUNGEN SICHERN

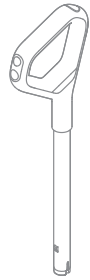
Nur für den Hausgebrauch

Wir, Dreame Trading (Tianjin) Co., Ltd., bestätigen hiermit, dass dieses Gerät mit dengeltenden Verordnungen und europäischen Normen sowie etwaigen Ergänzungen in Einklang steht. Der vollständige Wortlaut der EU-Konformitätserklärung ist unter der folgenden Internetadresse abrufbar: <https://global.dreametech.com>
Ein detailliertes elektronisches Handbuch finden Sie unter <https://global.dreametech.com/pages/user-manuals-and-faqs>

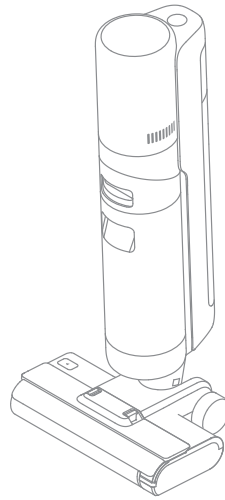
Packliste



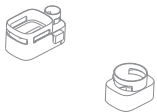
Ladestation



Handgriff



Hauptkörper



Aufbewahrungsbox



Reinigungsbürste

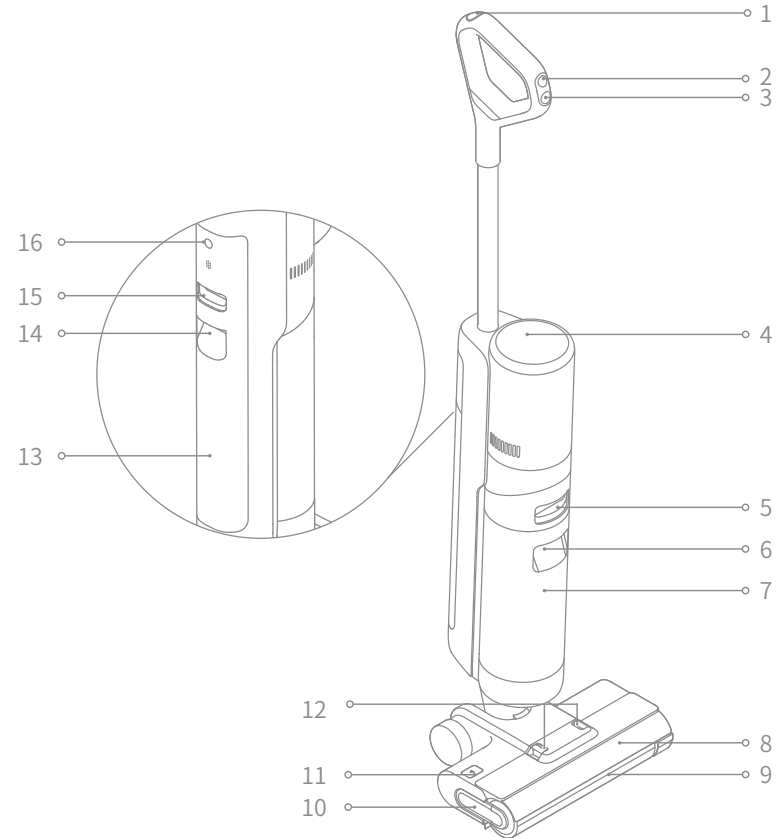


Ersatzwalzenbürste



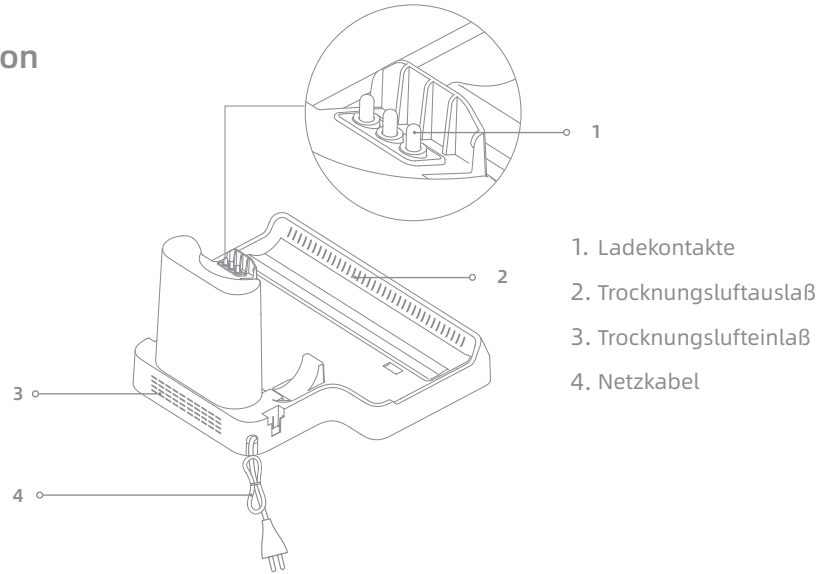
Ersatzfilter

Nass-Trockensauger



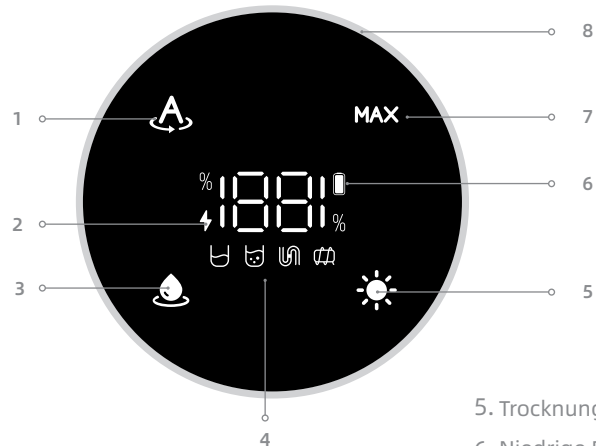
- | | | |
|---|--|---|
| 1. Selbstreinigungstaste | 8. Bürstenrolleabdeckung | 15. Entriegelungstaste für den Reinwassertank |
| 2. Modusschalter | 9. Bürstenrolle | 16. Taste für die Sprachansage |
| 3. Netzschalter | 10. Bürstenrollengriff | <ul style="list-style-type: none"> • Kurz drücken, um die Sprachansage zu aktivieren oder die Lautstärke einzustellen • 3 Sekunden lang gedrückt halten, um auf die Spracheinstellungen zuzugreifen. Drücken, um zwischen den Sprachen zu wechseln. Gedrückt halten, um die Auswahl zu bestätigen |
| 4. Bildschirm | 11. Entriegelungstaste für Bürstenrolle | |
| 5. Entriegelungstaste für Schmutzwassertank | 12. Entriegelungstaste für Bürstenrolleabdeckung | |
| 6. Griff für Schmutzwassertank | 13. Reinwassertank | |
| 7. Schmutzwassertank | 14. Griff für den Reinwassertank | |

Ladestation



- 1. Ladekontakte
- 2. Trocknungsluftauslaß
- 3. Trocknungslufteinlaß
- 4. Netzkabel

Bildschirm



- 1. Auto-Modus
- 2. Ladeanzeige
 - Hauchend orange: Akkustand $\leq 20\%$
 - Hauchend grün: Akkustand $> 20\%$
- 3. Saugmodus

- 4. Fehlermeldungen
 - Zu wenig Wasser im Reinwassertank
 - Der Schmutzwassertank ist voll
 - Blockierte Röhre
 - Die Bürstenrolle gesteckt

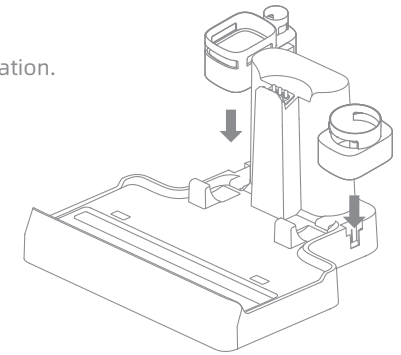
- 5. Trocknungsmodus
- 6. Niedrige Batterieanzeige
 - Leuchtet orange: Akkustand $\leq 20\%$
 - Leuchtet grün: Akkustand $> 20\%$
- 7. Turbo-Modus
- 8. Staubkonzentrationsanzeige

Die Farbe verändert sich mit dem Staubgehalt in Echtzeit

Hinweis: Wenn das Gerät nicht ordnungsgemäß funktioniert, wird auf dem Bildschirm eine Fehlermeldung angezeigt. Bitte lesen Sie den Abschnitt über Fehlermeldungen und Lösungen, um Ihre Lösung zu finden.

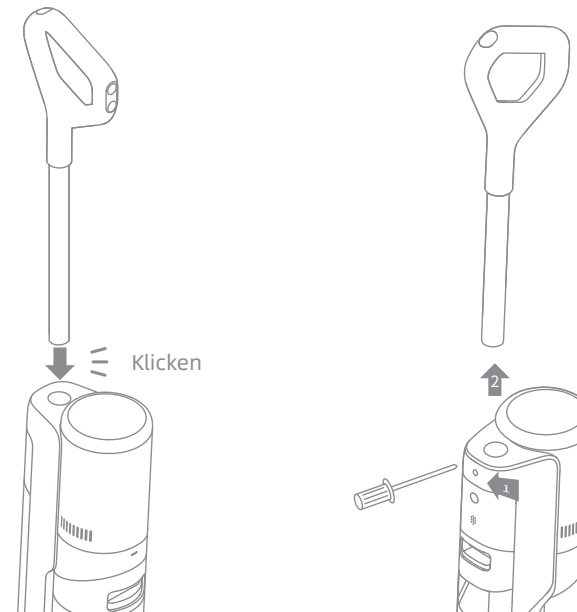
Installieren der Lagerbox

Installieren Sie die Lagerbox auf der Ladestation.



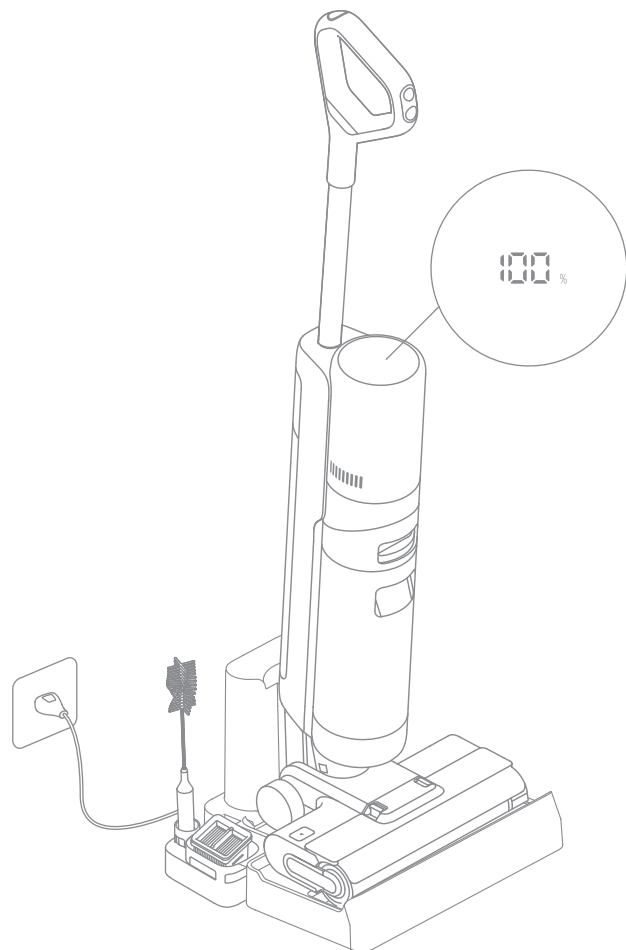
Installieren des Griffs

Fügen Sie das Ende der Griffbaugruppe senkrecht in die Öffnung auf der Oberseite des Geräts ein, wie angegeben, Sie werden ein Einrasten spüren.



Hinweis: Um den Griff zu demontieren, verwenden Sie bitte einen harten Gegenstand, um in das Loch auf der Rückseite des Geräts zu greifen, um den Kontakt zu drücken, und ziehen Sie gleichzeitig den Griff nach oben.

1. Stellen Sie die Ladestation gegen eine Wand auf dem Boden und schließen Sie sie an eine Stromquelle an. Laden Sie das Gerät vor dem ersten Gebrauch vollständig auf.
2. Stellen Sie das Gerät auf die Ladestation. Wenn die Sprachansage "Ladevorgang starten" angezeigt wird, aktiviert das Gerät den Lademodus. Beim Laden stellt die Nummer auf dem Display den aktuellen Batteriestand in Prozent dar. Wenn die Zahl 100 erreicht, ist der Akku vollständig aufgeladen.

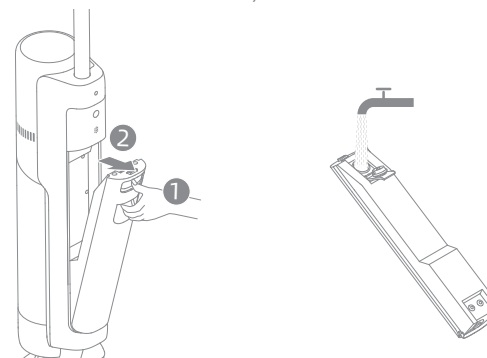


Hinweis:

- Wenn innerhalb von 10 Minuten nach dem vollständigen Aufladen kein Betrieb erfolgt, wechselt das Vakuum in den Schlafmodus. Bitte starten Sie das Gerät neu, wenn Sie es verwenden müssen.
- Um die Akkulaufzeit zu verlängern, kühlt der Akku nach längerer Benutzung des Gerätes automatisch etwa eine Stunde lang ab.

Reinwassertank befüllen


Drücken Sie die Entriegelungstaste, um den Tank zu entfernen. Öffnen Sie den Tankdeckel und füllen Sie den Tank mit sauberem Wasser. Installieren Sie den Reinwassertank erneut und stellen Sie sicher, dass er einrastet.

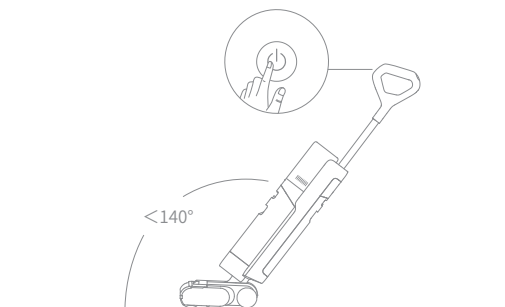


Hinweis:

- Für eine bessere Reinigungsleistung wird empfohlen, 10 ml Reinigungsmittel mit dem Flaschenverschluss in den vollen Reinwassertank zu geben und dann sanft und gleichmäßig für die Verwendung zu schütteln.
- Keine anderen Flüssigkeiten als den offiziell zugelassenen Reinigungsmittel hinzufügen. Die Reinigungsmittel kann im offiziellen Online-Shop erhältlich sein.

Starten Sie die Reinigung

Treten Sie sanft auf die Bürstenabdeckung und kippen Sie das Gerät nach hinten. Drücken Sie den Netzschalter , um das Gerät zu starten.

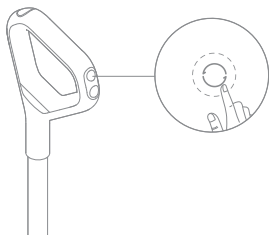


Hinweis:

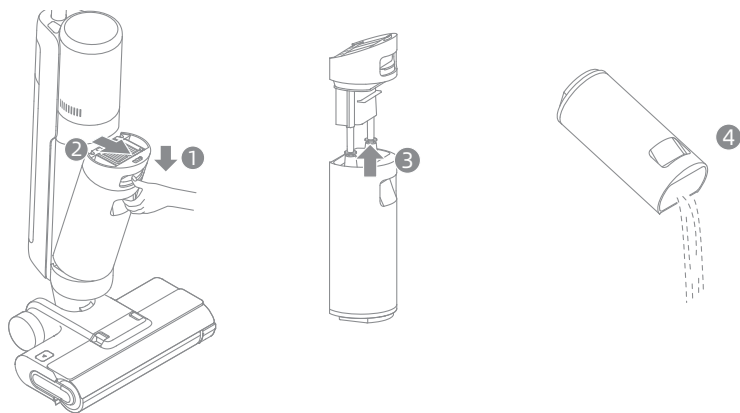
- Verwenden Sie es nicht, um schäumende Flüssigkeiten zu saugen.
- Wenn sich das Gerät während der Arbeit in aufrechter Position befindet, wird die aktuelle Aufgabe unterbrochen.
- Das Gerät eignet sich zur Reinigung von Böden, Marmor, Fliesen und anderen harten Oberflächen.
- Stellen Sie das Gerät nicht mehr als 140° nach hinten, um zu verhindern, dass Wasser austritt.
- Wenn das Gerät in Betrieb ist, heben Sie es nicht vom Boden ab. Außerdem sind das Bewegen, das Kippen und Flachlegen verboten. Dies kann dazu führen, dass das verbrauchte Wasser in den Motor fließt.

Wechseln des Modus


Das Gerät befindet sich standardmäßig im Auto-Modus. Sie können je nach Bedarf in den Saugmodus oder Turbo-Modus umschalten.

**Leeren Sie den Schmutzwassertank**


Drücken Sie die Schmutzwassertank-Entriegelungstaste, um den Tank herauszunehmen. Entfernen Sie den Tankdeckel und gießen Sie das Schmutzwasser aus. Schließen Sie den Tankdeckel und setzen Sie den Tank vor Gebrauch wieder ein.

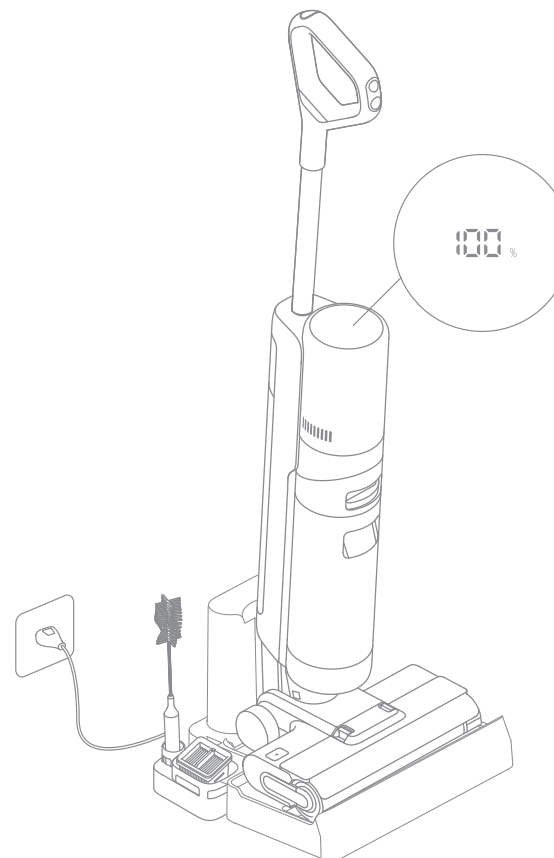
**Ein-Klick-Selbstreinigung**

Hinweis: Die Selbstreinigungsfunktion kann nur aktiviert werden, wenn das Gerät beim Aufladen ist und der Batteriestand mehr als 20% beträgt.

1. Nachdem das Gerät die Reinigungsaufgabe abgeschlossen hat, stellen Sie es wieder auf den Boden und stellen Sie sicher, dass das Wasser im Reinwassertank für die Selbstreinigung ausreicht.
2. Drücken Sie kurz die Selbstreinigungstaste oben am Griff, um die Selbstreinigung zu starten/ zu stoppen.
3. Bitte leeren Sie den Schmutzwassertank, nachdem die Selbstreinigung abgeschlossen ist und der Trocknungsmodus aktiviert wurde. Drücken Sie die Taste , um den Trocknungsmodus zu beenden.

Trocknungsmodus

1. Die Taste für Selbstreinigung  3 Sekunden lang gedrückt halten, um den Trocknungsmodus zu aktivieren
2. Das Gerät wird nach dem Trocknen aufgeladen.



Hinweis:

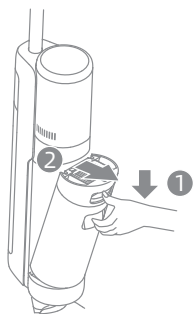
- Reinigen Sie die Ladestation, wenn nach der Selbstreinigung Flecken auf der Ladestation zurückbleiben.
- Wenn Sie die Bürstenrolle manuell reinigen, trocknen Sie sie bitte gründlich an der Luft oder trocknen Sie sie mehrmals im Trocknungsmodus.

Tipps:

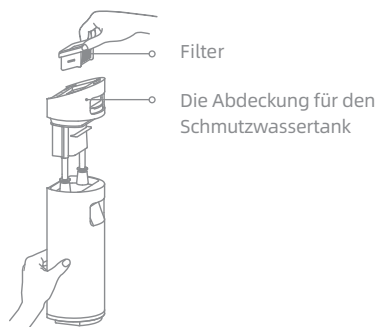
- Schalten Sie das Gerät vor der Wartung aus. Berühren Sie den Netzschalter nicht.
- Teile müssen bei Bedarf ausgetauscht werden, bitte verwenden Sie die vom Originalwerk vorgesehenen Teile, um Schäden am Produkt aufgrund von Ungeeignetheit zu vermeiden.
- Wenn das Gerät längere Zeit nicht verwendet wird, laden Sie es vollständig auf, ziehen Sie den Netzstecker ab und lagern Sie das Gerät in einer kühlen Umgebung mit geringer Luftfeuchtigkeit, fern von direkter Sonneneinstrahlung. Um das übermäßige Entladen des Akkus zu vermeiden, laden Sie das Gerät mindestens alle 3 Monate auf.

Den Schmutzwassertank und Filter reinigen

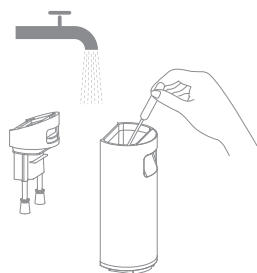
1. Drücken Sie die Schmutzwassertank-Entriegelungstaste und nehmen Sie den Schmutzwassertank heraus.



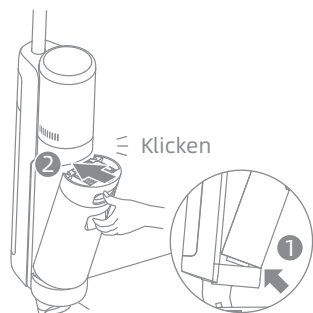
2. Nehmen Sie den Filter aus dem Deckel des Schmutzwassertanks heraus. Entfernen Sie den Tankdeckel und gießen Sie das Schmutzwasser aus.



3. Den Schmutzwassertank und dessen Abdeckung mit sauberem Wasser abspülen. Innenwand des Tanks mit der mitgelieferten Reinigungsbürste reinigen.



4. Schließen Sie den Abdeckel des Schmutzwassertanks, installieren Sie Schmutzwassertank erneut und stellen Sie sicher, dass der Tank einrastet.

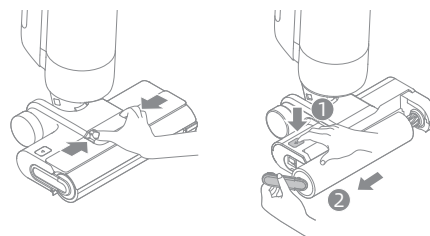


Hinweis:

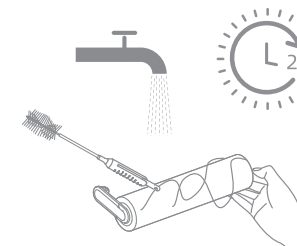
- Wenn der Filter verschmutzt ist und gewaschen werden muss, spülen Sie ihn mit Wasser. Er muss vor Gebrauch vollständig trocken sein.
- Es wird empfohlen, den Filter alle 3 bis 6 Monate auszutauschen.

Reinigung der Bürstenrolle-Aufsätze

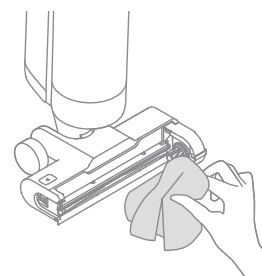
1. Drücken Sie zuerst die Entriegelungstaste der Bürstenrolleabdeckung auf beiden Seiten nach innen, um die Deckel zu entfernen. Drücken Sie anschließend die Entriegelungstaste der Bürstenrolle, und der Griff der Bürstenrolle springt heraus. Ziehen Sie den Griff, um die Bürstenrolle herauszunehmen.



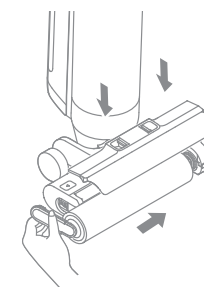
2. Entfernen Sie die Haare und Schmutz auf der Bürstenrolle mit der mitgelieferten Reinigungsbürste. Spülen Sie die Bürstenrolle mit sauberem Wasser. Trocknen Sie die Bürstenrolle gründlich an der Luft oder trocknen Sie sie, indem Sie den Trocknungsmodus mehrmals aktivieren.



3. Wischen Sie die Saugöffnung mit einem trockenen Tuch oder nassem Gewebe ab. Spülen Sie die Bürsten-Aufsätze nicht mit Wasser ab.



4. Nach dem Reinigen der Bürstenrolle installieren Sie wieder die Bürstenrolle und die Bürstenrolleabdeckung. Sie hören einen Klick, wobei es richtig installiert wird.

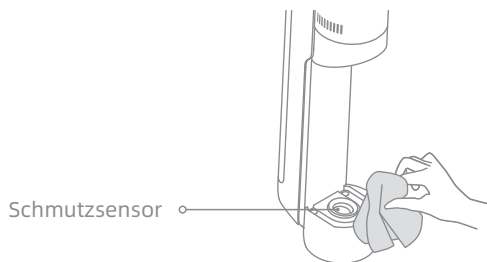


Hinweis:

- Nach Bedarf reinigen. Es wird empfohlen, die beiden mitgelieferten Bürstenrollen abwechselnd zu verwenden.
- Es wird empfohlen, die Bürstenrolle alle 3 bis 6 Monate auszutauschen.

Reinigung des Rohres und des Schmutzsensors

Entfernen Sie den Schmutzwassertank, wischen Sie das Rohr und den Schmutzsensor vor Gebrauch mit einem feuchten Tuch ab.



Fehleralarm





Wenn ein Fehler auftritt, wird das Gerät nicht mehr funktionieren. Bitte beachten Sie die folgende Tabelle zur Fehlerbehebung. Wenn das Problem weiterhin besteht, wenden Sie sich bitte an den Kundendienst.

Fehler	Mögliche Ursache	Lösung
Das Gerät funktioniert nicht.	Der Akku des Geräts ist leer oder der Akkustand ist niedrig.	Laden Sie den Akku vor dem Gebrauch vollständig auf.
	Das Gerät befindet sich in der aufrechten Position.	Stellen Sie das Gerät nach hinten.
	Blockierung aktiviert Überhitzungsschutz Modus.	Beseitigen Sie die Verstopfung und warten Sie, bis die Temperatur wieder normal ist.
	Der Schmutzwassertank ist voll.	Den Schmutzwassertank leeren.
	Die Teile sind nicht richtig installiert.	Vergewissern Sie sich, dass alle Teile richtig eingesetzt sind.
Das Gerät wird langsam aufgeladen.	Die Temperatur des Akkus ist zu niedrig oder zu hoch.	Warten Sie, bis die Batterietemperatur wieder normal ist.
Die Saugleistung des Gerätes ist niedrig.	Der Filter ist verstopft.	Den Filter reinigen.
	Der Saugelass oder das Rohr wird durch einen Fremdkörper blockiert.	Reinigen Sie das Rohr und die Saugöffnung.
Der Motor macht ein seltsames Geräusch.	Es gibt zu viel Schmutzwasser im Schmutzwassertank.	Leeren Sie den Schmutzwassertank.
	Die Hauptaugöffnung ist blockiert.	Beseitigen Sie eventuelle Verstopfungen in der Hauptaugöffnung.
Der Indikator der Schmutzkonzentration ist rot.	Der Schmutzsensor muss gereinigt werden.	Der Schmutzsensor befindet sich im Schlauch.
	Die Konzentration der Reinigungsmittel ist zu hoch.	Verdünnen Sie die Reinigungsmittel mit Wasser im empfohlenen Verhältnis.
	Eine Reinigungsmittel von Drittanbietern verursachte eine große Menge Schaum.	Verwenden Sie nur die offiziell zugelassenen Reinigungsmittel.
Die Akkustatusanzeige leuchtet während des Ladevorgangs nicht.	Der Ladestecker ist nicht richtig in die Steckdose eingesteckt.	Stellen Sie sicher, dass der Ladestecker richtig eingesteckt ist.
	Das Gerät wird nicht richtig an die Ladestation angeschlossen.	Stellen Sie sicher, dass das Gerät richtig auf der Ladestation platziert ist.

Es kommt kein Wasser aus dem Gerät.	Der Reinwassertank ist nicht an seinem Platz installiert oder der Reinwassertank ist leer.	Bauen Sie den Reinwassertank wieder ein oder füllen Sie ihn.
	Es dauert 30 Sekunden, um die Bürsterolle zu befeuchten.	Schalten Sie das Gerät ein und überprüfen Sie es in 30 Sekunden erneut.
Wasseraustritt an der Oberseite des Schmutzwassertanks.	Eine Kollision oder starkes Ziehen führt dazu, dass Wasser in den Motor gelangt.	Bewegen Sie das Gerät vorsichtig hin und her, wenn es eingeschaltet ist.
	Der Filter ist nach der Reinigung nicht vollständig trocken.	Den Filter vor Gebrauch gründlich abtrocknen.
Selbstreinigung ist fehlgeschlagen.	Ein Gegenstand verklemmt sich in der Bürstenrolle.	Öffnen Sie die Bürstenrolleabdeckung, um die Bürstenrolle zu überprüfen und zu reinigen.
	Das Gerät wird nicht richtig an die Ladestation angeschlossen.	Stellen Sie sicher, dass das Gerät beim Aufladen ist, bevor Sie die Selbstreinigungsfunktion aktivieren.
	Die Selbstreinigung kann nicht gestartet werden, wenn der Batteriestand weniger als 20% beträgt.	Die Selbstreinigungsfunktion kann nur aktiviert werden, wenn das Gerät geladen ist und der Akkustand mehr als 20% beträgt.
	Der Schmutzwassertank ist nicht installiert oder der Schmutzwassertank ist voll.	Installieren oder leeren Sie den Schmutzwassertank.
	Der Reinwassertank ist nicht an seinem Platz installiert oder der Reinwassertank ist leer.	Bauen Sie den Reinwassertank wieder ein oder füllen Sie ihn.
Schlechte Trocknungsleistung.	Luftauslass und Lufteinlass der Ladestation könnten vermutlich blockiert werden.	Verstopfung von Luftauslass und Lufteinlass prüfen und beseitigen.

Für weitere Dienstleistungen kontaktieren Sie uns bitte über aftersales@dreame.tech
<https://global.dreame.tech>

Wenn irgendein Fehler bei der Verwendung des Produkts auftritt, wird der Bildschirm eine Fehlermeldung ausgeben. Sie sollten den Anweisungen auf dem Bildschirm folgen, um die normale Leistung sicherzustellen.

Fehler-Symbol	Mögliche Ursache	Lösungen
	Zu wenig Wasser im Reinwassertank	Füllen Sie den Reinwassertank.
	Der Schmutzwassertank ist voll	Leeren Sie den Schmutzwassertank.
	Die Bürstenrolle gesteckt	Reinigen Sie die Bürstenrolle mit der mitgelieferten Reinigungsbürste.
	Blockierte Röhre	Überprüfen Sie, ob der Filter verstopft ist. Alternativ reinigen Sie das Rohr und den Schmutzsensoren.

Fehlercode	Mögliche Ursache	Lösungen
E1-E7	Fehler	Wenn das Problem weiterhin besteht, wenden Sie sich bitte an den Kundendienst.
H1-H6		
H7	Batteriesusfall	Warten Sie, bis die Temperatur der Batterie wieder normal ist, und setzen Sie dann das Gerät weiter in Einsatz.

Nass-Trockensauger			
Modell	HHR30B	Ladezeit	ca. 5-6 Stunden
		Trocknungszeit	1 Stunden
Nennspannung	21,6 V ---	Ladespannung	27 V ---
Nennleistung	300 W	Kapazität des Schmutzwassertank	700 mL
		Kapazität des Reinwassertank	900 mL
Ladestation			
Modell	HCBG	Nennleistung	130 W
Nenningang	220-240 V ~ 50-60 Hz	Nenausgang	27 V --- 0,9 A

Die Nennleistung wird während eines bestimmten Zeitraums gemessen, wenn das Gerät zu Beginn mit voller Leistung arbeitet und die Lade- und Trocknungsfunktionen gleichzeitig eingeschaltet sind.

Entsorgung und Entfernung von Batterien

Die eingebaute Lithium-Ionen-Batterie enthält umweltgefährdende Substanzen. Stellen Sie vor der Entsorgung der Batterie sicher, dass die Batterie von qualifizierten Technikern entfernt und in einer geeigneten Recyclinganlage entsorgt wird.

- die Batterie muss vor dem Verschrotten aus dem Gerät entfernt werden;
- das Gerät muss beim Ausbau der Batterie vom Netz getrennt werden;
- die Batterie muss sicher entsorgt werden.

Anleitung zum Entfernen

1. Entfernen Sie den Bildschirm, indem Sie ihn mit einem Werkzeug drehen.
2. Entfernen Sie die Schrauben an der Batterieabdeckung und öffnen Sie die Abdeckung mit dem richtigen Werkzeug.
3. Ziehen Sie die Klemmen zwischen der Batterie und der Leiterplatte ab, um die Batterie zu entfernen.

ACHTUNG:

- Bevor Sie den Akku entfernen, trennen Sie die Stromversorgung und lassen Sie den Akku komplett leer laufen.
- Nicht benötigte Batterien sollten in einer geeigneten Recyclinganlage entsorgt werden.
- Lassen Sie den Akku nicht in einer Umgebung mit extrem hohen Temperaturen, um Explosionsrisiken zu vermeiden.
- Unter missbräuchlicher Verwendung kann Flüssigkeit aus der Batterie ausgestoßen werden. Wenn Sie aus Versehen anfassen, spülen Sie mit Wasser und suchen Sie medizinische Hilfe.



Die durchgestrichene Mülltonne bedeutet, dass Sie gesetzlich verpflichtet sind, diese Geräte einer vom unsortierten Siedlungsabfall getrennten Erfassung zuzuführen. Die Entsorgung über die Restmülltonne oder die gelbe Tonne ist untersagt. Enthalten die Produkte Batterien oder Akkus, die nicht fest verbaut sind, müssen diese vor der Entsorgung entnommen und getrennt als Batterie entsorgt werden.

Möglichkeiten der Rückgabe von Altgeräten

Besitzer von Altgeräten können diese im Rahmen der durch öffentlich-rechtlichen Entsorgungsträger eingerichteten und zur Verfügung stehenden Möglichkeiten der Rückgabe oder Sammlung von Altgeräten abgeben, damit eine ordnungsgemäße Entsorgung der Altgeräte sichergestellt ist. Unter dem folgenden Link besteht die Möglichkeit, sich ein Onlineverzeichnis der Sammel- und Rücknahmestellen anzuzeigen zu lassen: <https://www.ear-system.de/ear-verzeichnis/sammel-und-ruecknahmestellen>.

Datenschutz

Wir weisen alle Endnutzer von Elektro- und Elektronikaltgeräten darauf hin, dass Sie für das Löschen personenbezogener Daten auf den zu entsorgenden Altgeräten selbst verantwortlich sind.

Consignes de sécurité importantes

Veillez lire attentivement ce manuel avant l'utilisation et le conserver pour référence ultérieure.

Lors de l'utilisation d'un appareil électrique, des précautions de base doivent toujours être prises, notamment les suivantes :

LIRE TOUTES LES INSTRUCTIONS AVANT D'UTILISER (CET APPAREIL). Le non-respect des avertissements et des instructions peut entraîner un choc électrique, un incendie et/ou des blessures graves.

AVERTISSEMENT – Pour réduire les risques d'incendie, de choc électrique ou de blessure :

Restrictions d'Usage

- Cet appareil peut être utilisé par des enfants à partir de 8 ans et par des personnes ayant des capacités physiques, sensorielles ou mentales réduites ou un manque d'expérience et de connaissances à condition qu'elles aient été placées sous surveillance ou qu'elles aient reçu des instructions concernant l'utilisation de l'appareil en toute sécurité et qu'elles comprennent les dangers encourus.
- Le film plastique peut être dangereux. Pour éviter tout risque de suffocation, tenez-le à l'écart des enfants.
- Les enfants ne doivent pas jouer avec ce produit.
- N'utilisez l'appareil qu'à l'intérieur, sur des surfaces de sol non recouvertes de tapis, comme le vinyle, le carrelage, le bois scellé, etc. Veillez à ne pas rouler sur des objets non fixés ou sur les bords d'un tapis. Le fait de faire caler la brosse peut entraîner une défaillance prématurée de la courroie.
- N'utilisez que ce qui est décrit dans ce guide de l'utilisateur. N'utilisez que les accessoires recommandés par le fabricant.
- N'exposez pas l'appareil au feu ou à une température excessive. L'exposition au feu ou à une température excessive peut provoquer une explosion.
- Ne pas utiliser dans des environnements extrêmement chauds ou froids (en dessous de 5°C /41° F ou au-dessus de 40° C /104° F). Veillez charger l'appareil dans une température supérieure à 5°C /41° F et inférieure à 40°C /104° F).
- Ne plongez pas l'appareil dans un liquide.
- Évitez d'utiliser cet appareil pour ramasser des liquides inflammables ou combustibles, comme l'essence. Évitez d'utiliser cet appareil dans des endroits où des liquides inflammables ou combustibles peuvent être présents.
- Ne placez aucun objet dans les ouvertures. N'utilisez pas l'appareil si l'une de ses ouvertures est obstruée ; veillez à ce qu'elle soit exempte de poussière, de peluches, de cheveux et de tout ce qui pourrait empêcher la circulation de l'air.
- Ne ramassez pas de produits toxiques (eau de javel, ammoniacale, nettoyant pour canalisations, etc.) Ne pas ramasser d'objets durs ou pointus tels que du verre, des clous, des vis, des pièces de monnaie, etc.
- N'utilisez pas l'appareil dans un espace clos rempli de vapeurs de peinture à l'huile, de diluant pour peinture, de certaines substances antimites, de poussières inflammables ou d'autres vapeurs explosives ou toxiques. Ne ramassez rien qui brûle ou qui fume, comme des cigarettes, des allumettes ou des cendres chaudes.
- Ne l'utilisez pas si les filtres ne sont pas en place.
- Tenez les cheveux, les vêtements amples, les doigts et toutes les parties du corps éloignés des ouvertures et des parties mobiles de l'appareil et de ses accessoires.

Consignes de sécurité importantes

- Éloignez les câbles de terre de l'appareil lorsque vous l'utilisez, car un danger peut se présenter si l'appareil passe sur un cordon d'alimentation.
- Faites très attention lorsque vous nettoyez les escaliers.

Entretien et Stockage

- Empêchez tout démarrage involontaire. Assurez-vous que l'interrupteur est en position OFF avant de prendre ou de transporter l'appareil. Porter l'appareil avec votre doigt sur l'interrupteur ou sur un appareil sous tension dont l'interrupteur est allumé peut provoquer des accidents.
- Assurez-vous que l'appareil est placé sur une surface horizontale. N'utilisez pas l'appareil dans la même position si l'appareil est équipé d'une brosse à rouleau et que la poignée n'est pas complètement verticale. Ne stockez pas l'appareil dans un endroit où il pourrait geler.
- Éteignez et débranchez l'appareil lorsqu'il n'est pas utilisé, avant de le nettoyer, de l'entretenir ou de le réparer, et avant de le connecter ou de le déconnecter avec une brosse en mouvement.
- N'utilisez pas d'appareil endommagé ou modifié. Les piles endommagées ou modifiées peuvent avoir un comportement imprévisible et provoquer un incendie, une explosion ou un risque de blessure.
- Ne modifiez pas ou n'essayez pas de réparer l'appareil sauf comme indiqué dans les instructions d'utilisation et d'entretien.
- N'utilisez pas l'appareil avec un accessoire endommagé (eg: Base de charge, Cordon d'alimentation etc.). Si l'accessoire est endommagé, il doit être remplacé par le fabricant, son agent de service ou des personnes qualifiées similaires afin d'éviter tout danger.
- Faites effectuer l'entretien par un réparateur qualifié utilisant uniquement des pièces de rechange identiques. Cela garantira que la sécurité du produit est maintenue.

Batterie et Charge

- Pour recharger l'appareil, utilisez uniquement la base de charge fourni avec l'appareil. Utilisez uniquement la base de charge HCBG.
- Suivez toutes les instructions de chargement et ne chargez pas l'appareil en dehors de la plage de température spécifiée dans la batterie, car cela augmente le risque d'incendie.
- La base de chargement est équipée d'une fonction de séchage et ne convient que pour sécher la brosse de cet appareil.
- Maintenez le câble de la base de charge à l'écart des surfaces chauffées. Ne manipulez pas la fiche de la base de charge ou l'appareil avec des mains mouillées. Pour débrancher l'appareil, saisissez la fiche de la base de charge plutôt que le câble.
- Ne tirez pas ou ne transportez pas la base de charge par le câble, n'utilisez pas le câble comme une poignée, ne fermez pas la porte sur le câble et ne tirez pas le câble autour de bords ou de coins aigus.
- Ce produit contient des batteries qui ne peuvent être remplacées que par des techniciens qualifiés ou par le service après-vente.
- Le bloc-piles au lithium contient des substances dangereuses pour l'environnement. Avant de mettre l'appareil au rebut, veuillez d'abord retirer le bloc-piles, puis le mettre au rebut ou le recycler conformément aux lois et réglementations locales du pays ou

Important Safety Instructions

- de la région où il est utilisé.
- L'appareil doit être débranché de l'alimentation électrique lors du retrait de la batterie. Gardez les piles hors de portée des enfants. Ne mettez jamais les piles dans la bouche. En cas d'ingestion, contactez votre médecin ou le centre antipoison local.
- Dans des conditions abusives, ne jamais entrer en contact avec la pile dont le liquide peut être éjecté. En cas de contact accidentel, rincez à l'eau. Si le liquide entre en contact avec les yeux, consultez immédiatement un médecin. Le liquide éjecté de la batterie peut provoquer des irritations ou des brûlures.

Symboles



Équipement de classe II



Décalage temporel miniature lien-fusible où 3,15 est le symbole de la caractéristique du temps/du courant



Unité d'alimentation amovible



Lire le manuel de l'opérateur



Informations DEEE

Tous les produits portant ce symbole deviennent des déchets d'équipements électriques et électroniques (DEEE dans la Directive européenne 2012/19/UE) qui ne doivent pas être mélangés aux déchets ménagers non triés. Vous devez contribuer à la protection de l'environnement et de la santé humaine en apportant l'équipement usagé à un point de collecte dédié au recyclage des équipements électriques et électroniques, agréé par le gouvernement ou les autorités locales. Le recyclage et la destruction appropriés permettront d'éviter tout impact potentiellement négatif sur l'environnement et la santé humaine. Contactez l'installateur ou les autorités locales pour obtenir plus d'informations concernant l'emplacement ainsi que les conditions d'utilisation de ce type de point de collecte.

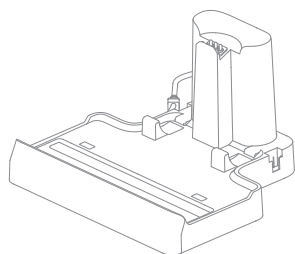
CONSERVEZ CES INSTRUCTIONS

Pour usage domestique seulement

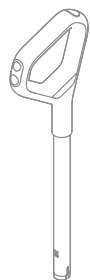
Par la présente, Dreame Trading (Tianjin) Co., Ltd., déclare que cet équipement est conforme aux directives et normes européennes applicables, ainsi qu'à leurs amendements. L'intégralité de la déclaration de conformité pour l'UE est disponible à l'adresse suivante: <https://global.dreametech.com>
Pour obtenir un manuel électronique détaillé, rendez-vous sur le site <https://global.dreametech.com/pages/user-manuals-and-faqs>

Présentation du produit

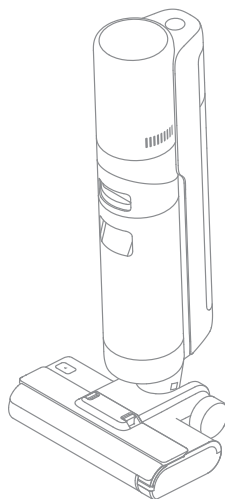
Liste d'emballage



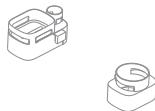
Station de chargement



Poignée



Corps principal



Boîtier de rangement



Brosse de nettoyage



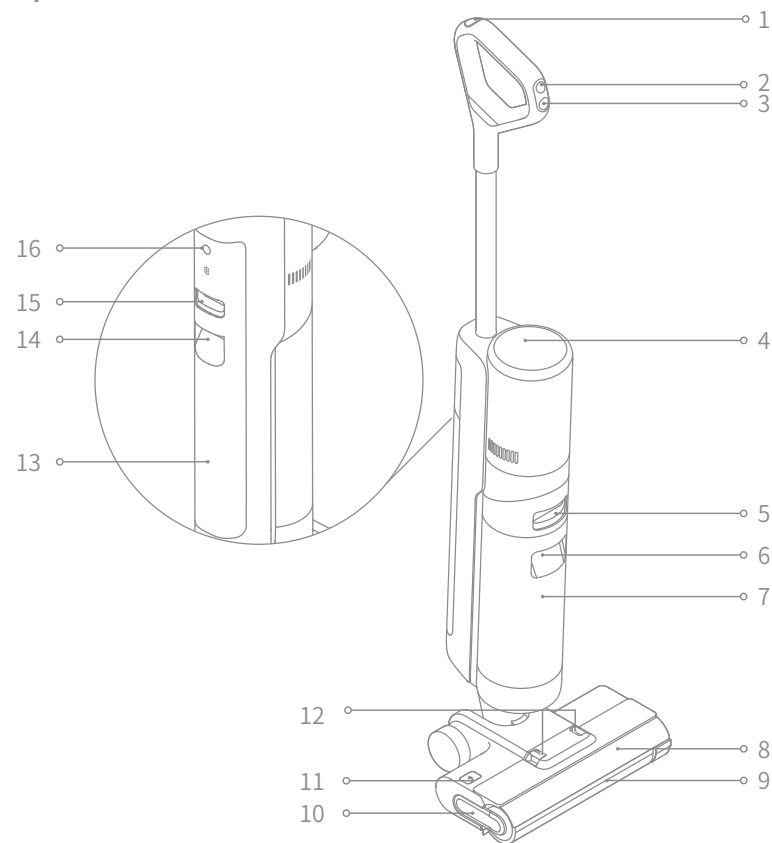
Brosse à rouleau de rechange



Filtre de rechange

Présentation du produit

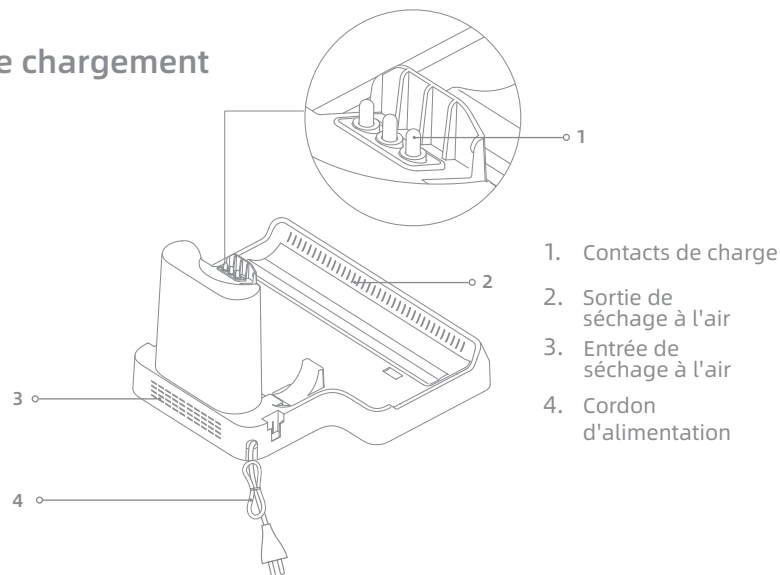
Aspirateur



- | | | |
|---|---|--|
| 1. Bouton d'auto-nettoyage | 8. Couvercle de la brosse à rouleau | 15. Bouton de libération du réservoir d'eau propre |
| 2. Commutateur de mode | 9. Brosse à rouleau | 16. Bouton de saisie vocale |
| 3. Interrupteur d'alimentation | 10. Poignée de la brosse à rouleau | <ul style="list-style-type: none"> Appuyez brièvement pour activer le message vocal ou régler le volume Maintenez cette touche enfoncée pendant 3 secondes pour accéder au réglage de la langue. Appuyez sur cette touche pour passer d'une langue à l'autre. Appuyez et maintenez enfoncé pour confirmer la sélection |
| 4. Écran d'affichage | 11. Boutons de déverrouillage de la brosse à rouleau | |
| 5. Bouton de libération du réservoir d'eau sale | 12. Boutons de déverrouillage du couvercle de la brosse à rouleau | |
| 6. Poignée du réservoir d'eau sale | 13. Réservoir d'Eau Propre | |
| 7. Réservoir d'eau sale | 14. Poignée du réservoir d'eau propre | |

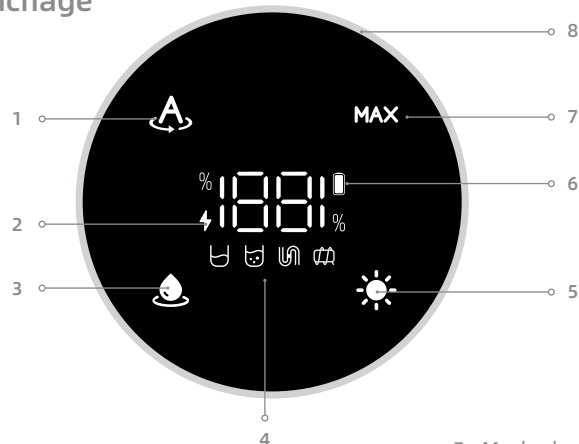
Présentation du produit

Station de chargement



1. Contacts de charge
2. Sortie de séchage à l'air
3. Entrée de séchage à l'air
4. Cordon d'alimentation

Écran d'affichage



1. Mode automatique

2. Indicateur de charge

- Orange à un rythme régulier : Niveau de batterie \leq 20 %
- Vert à un rythme régulier : Niveau de batterie $>$ 20 %

3. Mode aspiration

4. Messages d'erreur

- Insuffisance d'eau dans le réservoir d'eau propre
- Réservoir d'eau sale plein
- Tube bouché
- Brosse à rouleau coincée

5. Mode de séchage

6. Indicateur de batterie faible

- Orange fixe : Niveau de batterie \leq 20 %
- Vert fixe : Niveau de batterie $>$ 20 %

7. Mode turbo

8. Indicateur de concentration de poussière

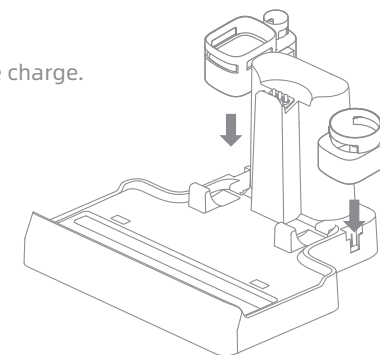
La couleur de la courbe change en temps réel en fonction du niveau de poussière

Remarque : Si l'appareil ne fonctionne pas correctement, l'écran affiche un message d'erreur. Veuillez consulter la section Messages d'erreur et Solutions pour trouver une réponse.

Installation

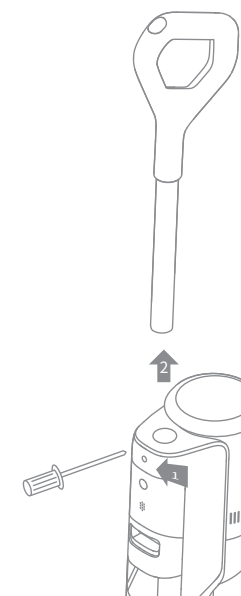
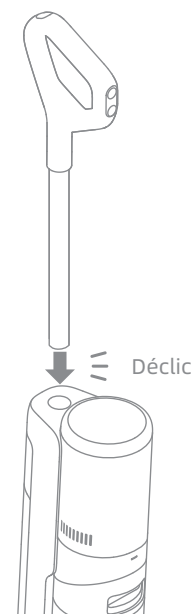
Installation du bac à poussière

Installez le bac à poussière sur la station de charge.



Installation de poignée

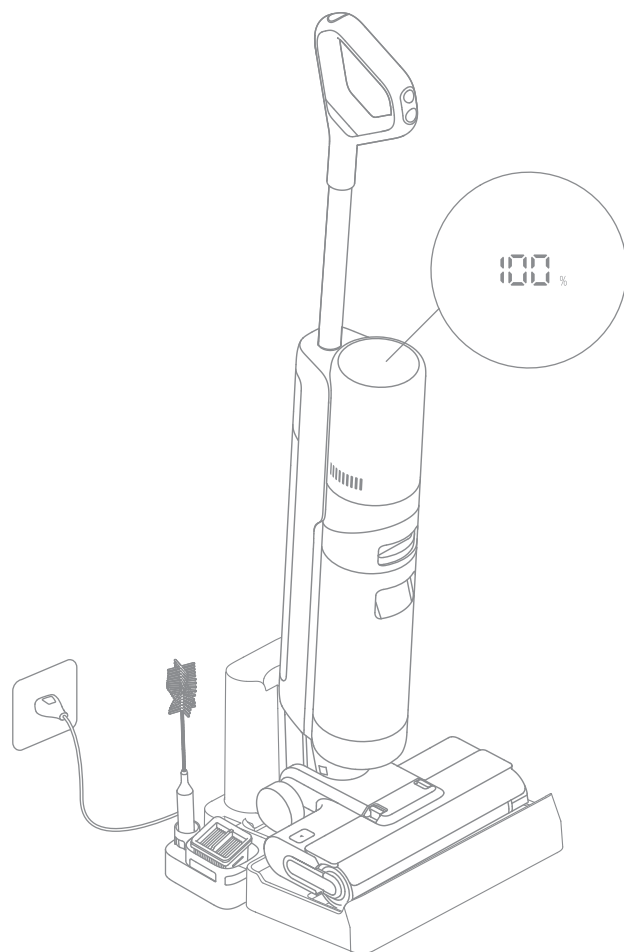
Insérez l'extrémité de la poignée verticalement dans le port sur le dessus de l'aspirateur comme indiqué, vous le sentirez cliquer en place.



Remarque : Pour démonter la poignée, veuillez utiliser un objet dur pour atteindre le trou à l'arrière de l'aspirateur afin d'appuyer sur le contact, et en même temps tirer la poignée vers le haut.

Mise en charge

1. Placez la station de chargement contre un mur sur un sol plat et branchez-la à une source d'alimentation. Chargez complètement l'appareil avant la première utilisation.
2. Placez l'appareil sur la base de charge. Lorsque le message vocal "Commencer à charger" s'affiche, l'appareil passe en mode de charge. Pendant la charge, le chiffre affiché sur l'écran représente le niveau actuel de la batterie en pourcentage. Lorsque le chiffre atteint 100, la batterie est entièrement chargée.



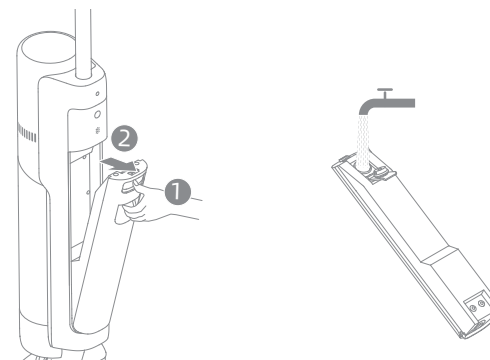
Remarque :

- Si aucune opération n'est effectuée dans les 10 minutes suivant la charge complète, l'aspirateur passe en mode veille. Veuillez redémarrer l'appareil si vous devez l'utiliser.
- Pour prolonger la durée de vie des piles, celles-ci se refroidissent automatiquement pendant environ une heure après une utilisation prolongée de l'appareil.

Comment utiliser

Remplissez le réservoir d'eau propre

Appuyez sur le bouton de libération du réservoir d'eau propre pour retirer le réservoir. Ouvrez le couvercle du réservoir et remplissez le réservoir d'eau propre. Réinstallez le réservoir d'eau propre et assurez-vous qu'il s'enclenche en place.

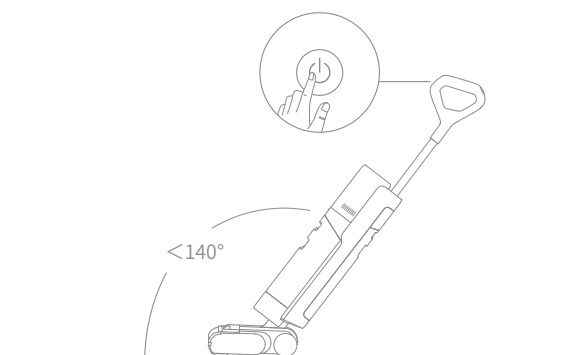


Remarque :

- Pour une meilleure performance de nettoyage, il est recommandé d'ajouter 10ml de détergent avec le bouchon de la bouteille dans le réservoir d'eau propre plein, puis de secouer doucement et uniformément pour l'utilisation.
- N'ajoutez aucun liquide autre que le nettoyant officiellement approuvé. Le nettoyant est disponible sur la boutique officielle en ligne.

Commencez le nettoyage

Montez doucement sur le couvercle de la brosse et inclinez l'appareil vers l'arrière. Appuyez sur l'interrupteur d'alimentation  pour mettre en marche.



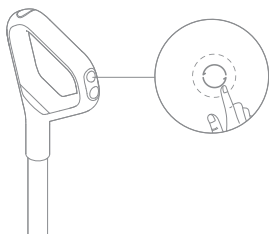
Remarque :

- Ne pas utiliser pour aspirer des liquides mousseux.
- Si l'appareil est en position verticale pendant le travail, la tâche en cours sera suspendue.
- L'appareil est adapté au nettoyage des sols, du marbre, des carreaux et autres surfaces dures.
- N'inclinez pas l'appareil vers l'arrière à plus de 140° pour éviter que l'appareil ne laisse échapper de l'eau.
- Lorsque l'appareil est en marche, ne le soulevez pas du sol, ne le déplacez pas, ne l'inclinez pas et ne le posez pas à plat. Cela pourrait provoquer l'écoulement de l'eau sale dans le moteur.

Comment utiliser

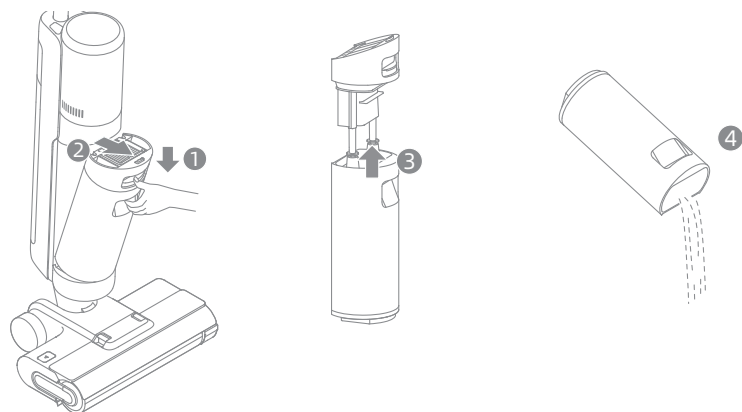
Changement de modes

L'appareil est allumé en mode Auto par défaut. Vous pouvez passer au mode aspiration ou turbo si besoin.




Videz le réservoir d'eau sale

Appuyez sur le bouton de libération du réservoir d'eau sale pour sortir le réservoir. Retirez le couvercle du réservoir et versez l'eau sale. Fermez le couvercle du réservoir et réinstallez le réservoir avant de l'utiliser.



Auto-nettoyage en un clic

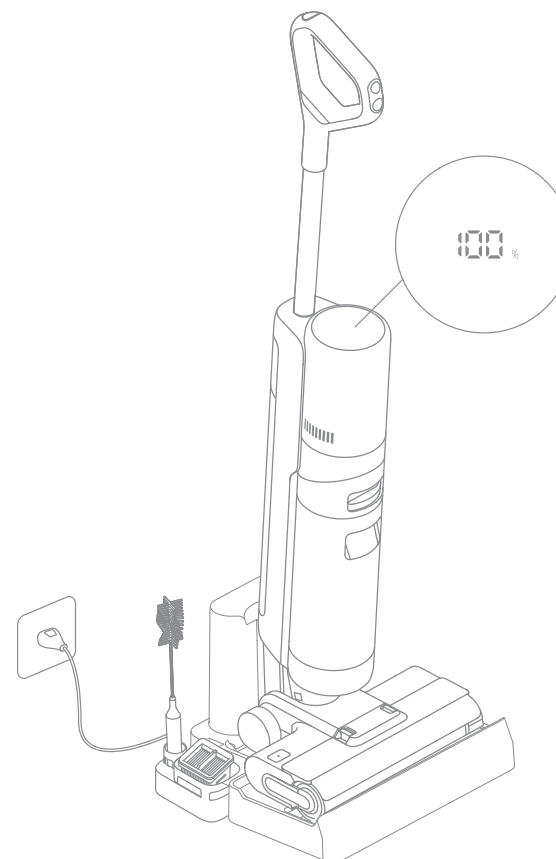
Remarque : La fonction d'auto-nettoyage ne peut être activée que lorsque l'appareil est en cours de chargement et que le niveau de la batterie est supérieur à 20%.

1. Une fois que l'appareil a terminé sa tâche de nettoyage, replacez-le sur la station et assurez-vous que l'eau contenue dans le réservoir d'eau propre est suffisante pour l'autonettoyage.
2. Appuyez sur le bouton d'auto-nettoyage en haut de la poignée pour démarrer/arrêter l'auto-nettoyage.
3. Veuillez vider le réservoir d'eau sale une fois l'autonettoyage terminé et le mode de séchage enclenché. Appuyez sur le bouton  pour quitter le mode de séchage.

Comment utiliser

Mode de séchage

1. Appuyez sur le bouton d'autonettoyage  et maintenez-le enfoncé pendant 3 secondes pour activer le mode de séchage.
2. L'appareil sera chargé une fois le séchage terminé.



Remarque :

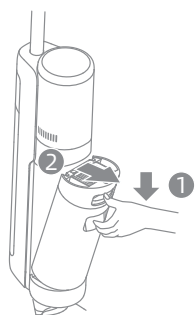
- Nettoyez la station de charge s'il reste des taches sur la station une fois l'autonettoyage terminé.
- Si vous nettoyez la brosse à rouleau manuellement, veuillez le faire sécher à l'air libre ou en utilisant le mode de séchage plusieurs fois.

Conseils :

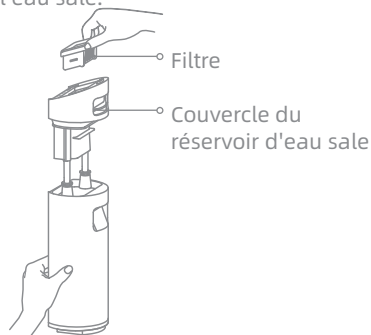
- Éteignez l'appareil avant de procéder à l'entretien. Ne touchez pas l'interrupteur d'alimentation.
- Les pièces doivent être remplacées si nécessaire, veuillez utiliser les pièces désignées par l'usine d'origine afin de ne pas endommager le produit en raison d'une inadéquation.
- Si l'appareil n'est pas utilisé pendant une période prolongée, chargez-le complètement, débranchez l'adaptateur d'alimentation et rangez l'appareil dans un endroit frais, peu humide et à l'abri des rayons directs du soleil. Pour éviter une décharge excessive de la batterie, chargez l'appareil au moins une fois tous les 3 mois.

Nettoyage du réservoir d'eau sale et du filtre

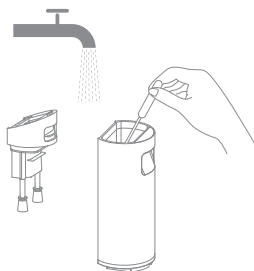
1. Appuyez sur le bouton de libération du réservoir d'eau sale et sortez le réservoir d'eau sale.



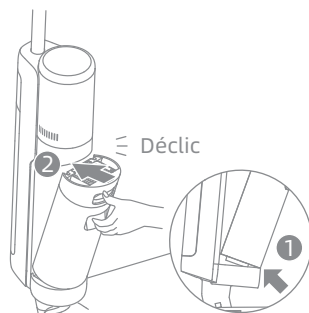
2. Retirez le filtre du couvercle du réservoir d'eau sale. Retirez le couvercle du réservoir et versez l'eau sale.



3. Rincez le réservoir d'eau sale et le couvercle du réservoir avec de l'eau propre. Nettoyez la paroi intérieure du réservoir avec la brosse de nettoyage fournie.



4. Fermez le couvercle du réservoir d'eau sale, réinstallez le réservoir et assurez-vous que le réservoir s'enclenche en place.

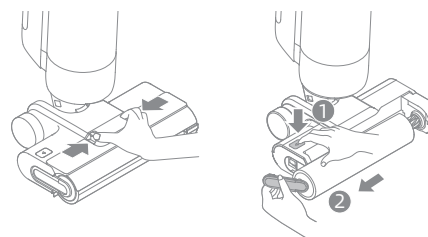


Remarque :

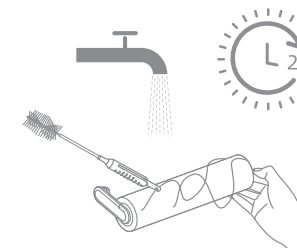
- lorsque le filtre est sale et doit être lavé, rincez-le à l'eau. Il doit être complètement sec avant d'être utilisé.
- Il est recommandé de remplacer le filtre tous les 3 à 6 mois.

Nettoyage de la brosse

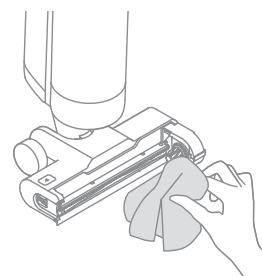
1. Tout d'abord, appuyez sur les boutons de libération du couvercle de la brosse à rouleau vers l'intérieur des deux côtés pour retirer le couvercle. Ensuite, appuyez sur le bouton de libération de la brosse à rouleau et sa poignée sort. Tirez sur la poignée pour retirer la brosse à rouleau.



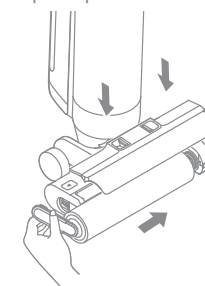
2. Dégagez les cheveux et les débris emmêlés sur le rouleau-brosse avec la brosse de nettoyage fournie. Rincez le rouleau-brosse à l'eau claire. Séchez soigneusement le rouleau-brosse à l'air libre, ou séchez-le en activant plusieurs fois le mode de séchage.



3. Essuyez l'entrée d'aspiration avec un chiffon sec ou un tissu humide. Ne rincez pas l'ensemble de la brosse à l'eau.



4. Après avoir nettoyé la brosse à rouleau, remettez en place la brosse et son couvercle. Vous entendrez un clic pour indiquer qu'ils sont bien en place.

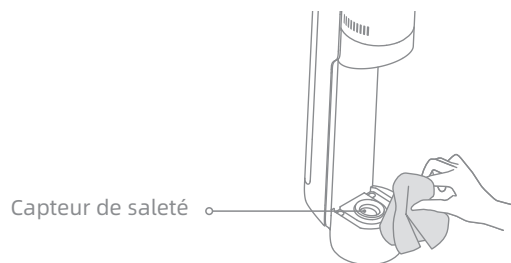


Remarque :

- Nettoyez selon les besoins. Il est recommandé d'utiliser alternativement les deux rouleaux-brosses fournis.
- Il est recommandé de remplacer la brosse à rouleau tous les 3 à 6 mois.

Nettoyage du tube et du capteur de saleté

Retirez le réservoir d'eau sale, essuyez le tube et le capteur de saleté avec un chiffon humide avant de les utiliser.



Indication pour la panne

Si une erreur se produit, l'appareil s'arrête de fonctionner. Veuillez consulter le tableau suivant pour le dépannage. Si le problème persiste, veuillez contacter le service clientèle.

Erreur	Cause possible	Solution
L'appareil ne fonctionne pas.	L'appareil n'a plus de batterie ou son niveau de batterie est faible.	Chargez complètement sa batterie avant de l'utiliser.
	L'appareil est en position verticale.	Inclinez l'appareil vers l'arrière.
	Blocage activé du mode de protection contre la surchauffe.	Éliminez l'obstruction et attendez que la température redevienne normale.
	Le réservoir d'eau sale est plein.	Videz le réservoir d'eau sale.
Les pièces ne sont pas installées à leur place.	Assurez-vous que les pièces sont bien en place.	
L'appareil se charge lentement.	La température de la batterie est trop basse ou trop élevée.	Attendez que la température de la batterie redevienne normale.
La puissance d'aspiration de l'appareil est faible.	Le filtre est bouché.	Nettoyage du filtre.
	L'entrée ou le tube d'aspiration est bloqué par un corps étranger.	Nettoyez le tube et l'entrée d'aspiration.
Le moteur émet un bruit étrange.	Il y a trop d'eau sale dans le réservoir d'eau usée.	Videz le réservoir d'eau sale.
	L'ouverture d'aspiration principale est bloquée.	Éliminez tout blocage dans l'ouverture d'aspiration principale.
La concentration de saleté est rouge.	Le capteur de saleté doit être nettoyé.	Le capteur de saleté se trouve dans le tube. Suivez les instructions de nettoyage du tube.
	La concentration du nettoyeur est trop élevée.	Diluez le nettoyeur avec de l'eau selon le ratio recommandé.
	Le nettoyeur d'une autre marque a provoqué une grande quantité de mousse.	Utilisez uniquement le nettoyeur officiellement approuvé.
L'indicateur d'état de la batterie ne s'allume pas pendant la charge.	La prise de la station de charge n'est pas insérée correctement dans la prise électrique.	Assurez-vous que la prise de la station de charge est bien insérée.
	L'appareil n'est pas placé correctement sur la station de chargement.	Assurez-vous que l'appareil est placé correctement sur la base de chargement.





Indication pour la panne

Il n'y a pas d'eau qui sort de l'appareil.	Le réservoir d'eau propre n'a pas été installé en place ou le réservoir d'eau propre est vide.	Réinstallez ou remplissez le réservoir d'eau propre.
	Il faut 30 secondes pour humidifier le rouleau-brosse.	Mettez l'appareil en marche et vérifiez à nouveau dans 30 secondes.
Fuite d'eau par le haut du réservoir d'eau sale.	Un choc ou une traction brutale provoque l'entrée d'eau dans le moteur.	Déplacez doucement l'aspirateur d'avant en arrière lorsque vous le mettez en marche.
	Le filtre n'est pas complètement sec après avoir été nettoyé.	Séchez complètement le filtre avant de l'utiliser.
L'autonettoyage a échoué.	La brosse à rouleau est peut-être bloquée par de grosses particules.	Ouvrez le couvercle de la brosse à rouleau pour la vérifier et nettoyer.
	L'appareil n'est pas placé correctement sur la station de chargement.	Assurez-vous que l'appareil est chargé avant d'activer la fonction d'autonettoyage.
	L'autonettoyage ne peut pas être activé si le restant de la batterie est inférieur à 20%.	La fonction d'auto-nettoyage ne peut être activée que lorsque l'aspirateur est chargé et que le restant de la batterie est supérieur à 20%.
	Le réservoir d'eau sale n'est pas installé en place ou le réservoir d'eau sale est plein.	Réinstallez ou videz le réservoir d'eau sale.
	Le réservoir d'eau propre n'a pas été installé en place ou le réservoir d'eau propre est vide.	Réinstallez ou remplissez le réservoir d'eau propre.
Performances de séchage médiocre	La sortie et l'entrée d'air de la base de charge sont peut-être bloquées.	Vérifiez et éliminez l'obstruction de la sortie et de l'entrée d'air.

Pour des services supplémentaires, veuillez nous contacter via aftersales@dreame.tech
<https://global.dreametech.com>

Messages d'erreur et Solutions

Si vous devez prêter attention à une anomalie quelconque pendant l'utilisation du produit, l'écran affichera un message d'avertissement. Vous devez suivre les instructions à l'écran pour que les performances restent normales.

Icône d'erreur	Cause possible	Solutions
	Insuffisance d'eau dans le réservoir d'eau propre	Remplissez le réservoir d'eau propre.
	Réservoir d'eau sale plein	Videz le réservoir d'eau sale.
	Brosse à rouleau coincée	Nettoyez la brosse à rouleau avec la brosse de nettoyage fournie.
	Tube bouché	Vérifiez si le filtre est bouché. Vous pouvez également nettoyer le tube et le capteur de saleté.

Code d'erreur	Possible Cause	Solutions
E1-E7	Erreur	Redémarrez l'appareil pour le dépannage. Si le problème persiste, veuillez contacter le service clientèle.
H1-H6		
H7	Défaillance de la batterie	Attendez que la température de la batterie redevienne normale, puis continuez à utiliser l'aspirateur.

Caractéristiques

Aspirateur			
Modèle	HHR30B	Temps de charge	environ 5-6 heures
		Temps de séchage	1 heure
Tension nominale	21,6 V ---	Tension de charge	27 V ---
Puissance nominale	300 W	Capacité du réservoir d'eau sale	700 mL
		Capacité serbatoio dell'acqua pulita	900 mL
Station de chargement			
Modèle	HCBG	Puissance nominale	130 W
Entrée nominale	220-240 V ~ 50-60 Hz	Sortie nominale	27 V --- 0,9 A

La puissance nominale est mesurée pendant une période représentative au cours de laquelle l'appareil fonctionne à pleine puissance au début, avec les fonctions de charge et de séchage simultanément activées.

Mise au rebut et retrait de la batterie

La batterie lithium-ion intégrée contient des substances dangereuses pour l'environnement. Avant de mettre la batterie au rebut, assurez-vous qu'elle est retirée par des techniciens qualifiés et mise au rebut dans un centre de recyclage approprié.

- la batterie doit être retirée de l'appareil avant d'être mise au rebut ;
- l'appareil doit être déconnecté du réseau électrique lors du retrait de la batterie ;
- la batterie doit être mise au rebut en toute sécurité

Guide de retrait

1. Retirez l'écran d'affichage en le faisant tourner à l'aide d'un outil.
2. Retirez tour à tour les vis du couvercle de la batterie, puis faites levier pour ouvrir le couvercle avec les outils appropriés.
3. Débranchez les bornes entre la batterie et la carte de circuit imprimé pour retirer la batterie.

ATTENTION :

- Avant de retirer la batterie, débranchez l'appareil et videz la batterie autant que possible.
- Les batteries inutilisées doivent être mises au rebut dans un centre de recyclage approprié.
- Ne pas exposer à un environnement à haute température pour éviter les risques d'explosion.
- Dans des conditions abusives, un liquide peut être éjecté de la batterie. En cas de contact, rincez à l'eau et consultez un médecin.



Istruzioni Importanti per la Sicurezza

Leggere attentamente questo manuale prima dell'uso e conservarlo per riferimento futuro. Quando si utilizza un apparecchio elettrico, è necessario seguire sempre le precauzioni di base, comprese le seguenti:

LEGGERE TUTTE LE ISTRUZIONI PRIMA DI UTILIZZO (QUESTO APPARECCHIO). La mancata osservanza delle avvertenze e delle istruzioni può provocare scosse elettriche, incendi e/o lesioni gravi.

AVVERTENZA – Per ridurre il rischio di incendi, scosse elettriche o lesioni:

Restrizioni di Utilizzo

- Questo prodotto non deve essere utilizzato da bambini di età inferiore a 8 anni, né da persone con deficit fisici, sensoriali, cognitivi, esperienza o conoscenza limitata, senza la supervisione di un genitore o tutore, al fine di garantire la sicurezza del funzionamento ed evitare eventuali rischi. La pulizia e la manutenzione non devono essere eseguite da bambini senza supervisione.
- La pellicola di plastica può essere pericolosa. Per evitare il pericolo di soffocamento, tenerlo lontano dalla portata dei bambini.
- Non consentire ai bambini di giocare con questo prodotto.
- Utilizzare solo in interni, su superfici non rivestite di tappeto come vinile, piastrelle, legno sigillato, ecc. Fare attenzione a non calpestare oggetti sciolti o bordi di tappeti. Lo stallo della spazzola può provocare un guasto prematuro della cinghia.
- Utilizzare solo come descritto in questa guida per l'utente. Utilizzare solo gli accessori consigliati dal produttore.
- Non esporre l'apparecchio a fiamme o temperature eccessive. L'esposizione al fuoco o ad una temperatura eccessiva può provocare un'esplosione.
- Non usare in ambienti estremamente caldi o freddi (sotto 5°C / 41° F o sopra 40° C / 104° F). Per favore ricarica l'apparecchio a temperature superiori a 5°C / 41° F e inferiori a 40° C / 104° F).
- Non immergere l'apparecchio in liquidi.
- Non usare per raccogliere liquidi infiammabili o combustibili, come benzina. Non usare in aree dove possono essere presenti liquidi infiammabili o combustibili.
- Non mettere nessun oggetto nelle aperture. Non usare l'apparecchio quando una qualsiasi apertura è ostruita; mantieni esente da polvere, lanugine, capelli e qualsiasi cosa possa inibire il flusso d'aria.
- Non raccogliere materiale tossico (candeggina a base di cloro, ammoniaca, detergente per scarichi, ecc.). Non raccogliere oggetti duri o appuntiti come vetro, chiodi, viti, monete, ecc.
- Non utilizzare l'apparecchio in uno spazio chiuso pieno di vapori emessi da vernici a base di olio, diluenti per vernici, alcune sostanze antitarre, polvere infiammabile o altri vapori esplosivi o tossici. Non raccogliere nulla che stia bruciando o fumando, come sigarette, fiammiferi o cenere calda.
- Non utilizzarlo senza filtri in posizione.
- Tenere i capelli, i vestiti larghi, le dita e tutte le parti del corpo lontani dalle aperture e dalle parti in movimento dell'apparecchio e dei suoi accessori.
- Tieni i cavi di messa a terra lontani dall'apparecchio durante l'uso, poiché un pericolo potrebbe verificarsi se l'apparecchio passa su un cavo di alimentazione.
- Prestare particolare attenzione durante la pulizia delle scale.

Istruzioni Importanti per la Sicurezza

Manutenzione e Conservazione

- Impedire l'avviamento accidentale. Assicurarsi che l'interruttore sia in posizione OFF prima di sollevare o trasportare l'apparecchio. Trasportare l'apparecchio con il dito sull'interruttore o mettere sotto tensione l'apparecchio con l'interruttore acceso può provocare incidenti.
- Assicurarsi che l'apparecchio sia posizionato su una superficie orizzontale. Non utilizzare l'apparecchio nella stessa posizione se è dotato di spazzola rotante e il manico non è completamente in posizione verticale. Non riporre l'elettrodomestico in un luogo in cui potrebbe gelare.
- Spegni e scollega l'apparecchio quando non è in uso, prima di pulirlo, manutenerlo o ripararlo, e prima di collegarlo o scollegarlo con una spazzola mobile.
- Non utilizzare un apparecchio danneggiato o modificato. Le batterie danneggiate o modificate possono presentare un comportamento imprevedibile con conseguenti incendi, esplosioni o rischio di lesioni.
- Non modificare o tentare di riparare l'apparecchio salvo quanto indicato nelle istruzioni per l'uso e la cura.
- Non usare l'apparecchio con un accessorio danneggiato (es: Base di ricarica, Cavo di alimentazione, ecc.). Se l'accessorio è danneggiato, deve essere sostituito dal produttore, dal suo agente di servizio o da persona persona con qualifica simile al fine di evitare pericoli.
- Far eseguire la manutenzione da un tecnico qualificato utilizzando solo parti di ricambio identiche. Ciò garantirà il mantenimento della sicurezza del prodotto.

Batteria e Ricarica

- Ai fini della ricarica dell'apparecchio, usa solo la base di ricarica fornita con questo apparecchio. Usa solo con base di ricarica HCBG.
- Segui tutte le istruzioni per la ricarica e non ricaricare l'apparecchio al di fuori dell'intervallo di temperatura specificato nella batteria, poiché ciò aumenta il rischio di incendio.
- La base di ricarica è dotata di funzione di asciugatura ed è adatta solo per asciugare la spazzola di questo apparecchio.
- Tieni il cavo della base di ricarica lontano da superfici riscaldate. Non maneggiare la spina della base di ricarica o l'apparecchio con le mani bagnate. Per scollegare, afferra la spina della base di ricarica, anziché il cavo.
- Non tirare o trasportare la base di ricarica tramite il cavo, usare il cavo come maniglia, chiudere la porta sul cavo o tirare il cavo attorno a spigoli vivi o angoli.
- Questo prodotto contiene batterie che possono essere sostituite solo da tecnici qualificati o dal servizio post-vendita.
- La batteria al litio contiene sostanze pericolose per l'ambiente. Prima di smaltire l'apparecchio, rimuovi prima il pacco batteria, quindi smaltiscilo o ricicclalo in conformità con le leggi e le normative locali del paese o della regione in cui è usato.
- L'apparecchio deve essere scollegato dall'alimentazione quando rimuovi la batteria. Tieni le batterie fuori dalla portata dei bambini. Non mettere mai le batterie in bocca. In caso di ingestione, contatta il tuo medico o il controllo antiveneni locale.
- In condizioni abusive, non contattare mai la batteria da cui potrebbe essere espulso il liquido. In caso di contatto accidentale, sciacqua con acqua. Se il liquido viene a contatto con gli occhi, consulta immediatamente un medico. Il liquido espulso dalla batteria può causare irritazioni o ustioni.

Istruzioni Importanti per la Sicurezza

Simboli



Class II equipment



Time-lag miniature fuse-link where T 3.15A is the symbol for the time/current characteristic



Unità di alimentazione staccabile



Leggi il manuale dell'operatore



Informazioni RAEE

Tutti i prodotti contrassegnati da questo simbolo sono rifiuti di apparecchiature elettriche ed elettroniche (RAEE in base alla direttiva 2012/19/UE) che non devono essere smaltiti assieme a rifiuti domestici non differenziati. Al contrario, è necessario proteggere l'ambiente e la salute umana consegnando i rifiuti a un punto di raccolta autorizzato al riciclaggio di rifiuti di apparecchiature elettriche ed elettroniche, predisposto dalla pubblica amministrazione o dalle autorità locali. Lo smaltimento e il riciclaggio corretti aiutano a prevenire conseguenze potenzialmente negative all'ambiente e alla salute umana. Contattare l'installatore o le autorità locali per ulteriori informazioni sulla sede e per i termini e le condizioni di tali punti di raccolta.

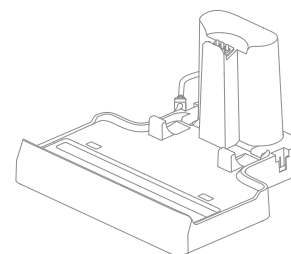
SALVARE QUESTE ISTRUZIONI

Solo Per Uso Domestico

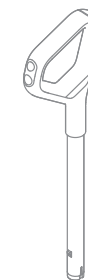
Con la presente, Dreame Trading (Tianjin) Co., Ltd., dichiara che questo apparecchio è conforme alle direttive applicabili e alle norme europee, nonché ai relativi emendamenti. Il testo completo della dichiarazione di conformità UE è disponibile al seguente indirizzo Internet: <https://global.dreame.tech.com>
Il manuale elettronico dettagliato è disponibile all'indirizzo <https://global.dreame.tech.com/pages/user-manuals-and-faqs>

Introduzione del Prodotto

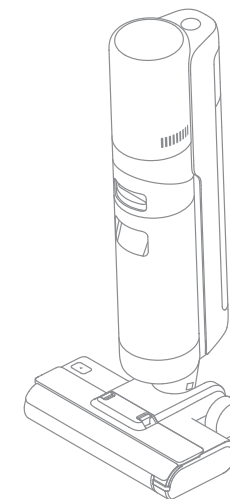
Lista Imballaggio



Base di Ricarica



Maniglia



Dispositivo Principale



Scatola di Stoccaggio



Spazzola per la Pulizia

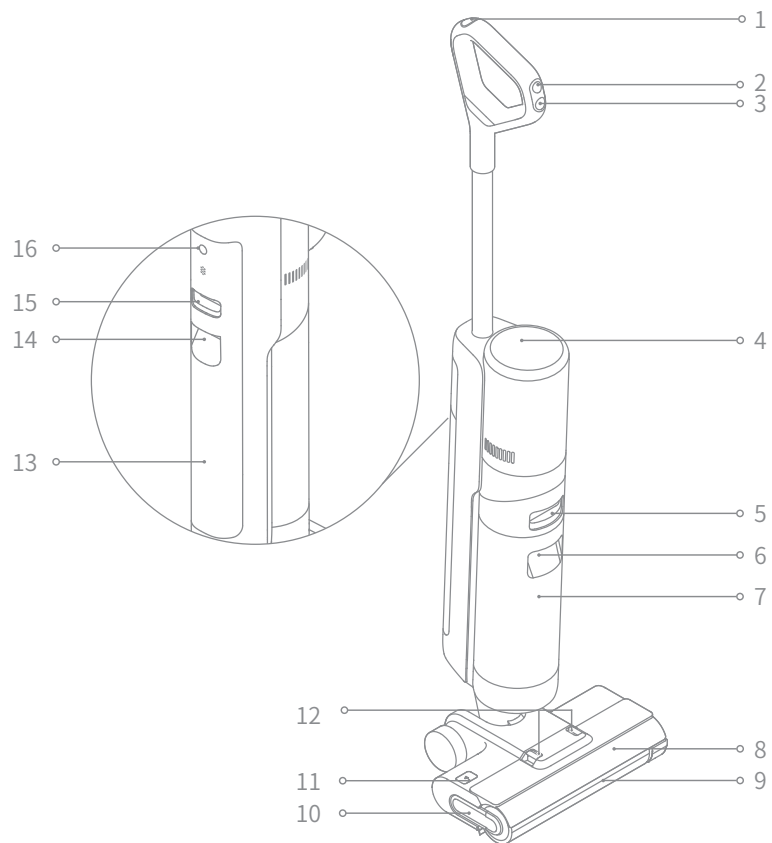


Spazzola a Rullo di Ricambio



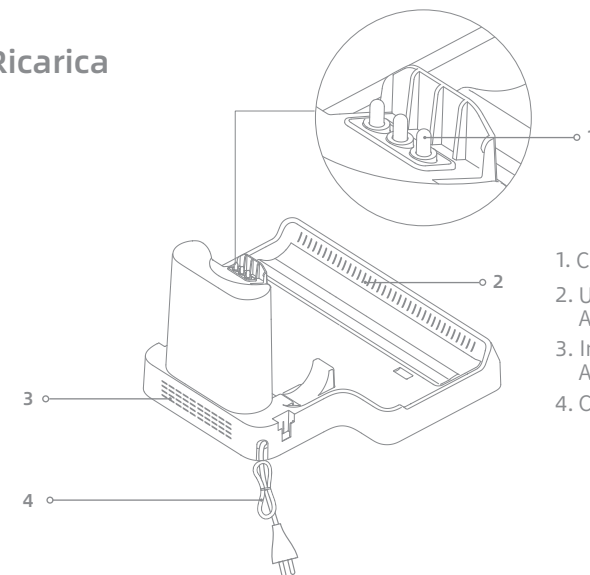
Filtro di Ricambio

Aspirapolvere



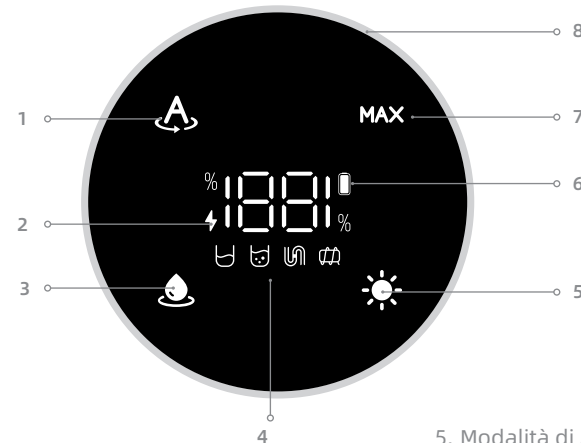
- | | | |
|--|---|---|
| 1. Pulsante di Autopulizia | 8. Coperchio del Rullo della Spazzola | 15. Pulsante di Rilascio del Serbatoio dell'Acqua Pulita |
| 2. Interruttore di Modalità | 9. Rullo della Spazzola | 16. Pulsante Vocale |
| 3. Interruttore di Alimentazione | 10. Maniglia del Rullo della Spazzola | <ul style="list-style-type: none"> • Premere brevemente per attivare il messaggio vocale o regolare il volume • Premi e tieni premuto per 3 secondi per accedere alle impostazioni della lingua. Premi per passare da una lingua all'altra. Premi e tieni premuto per confermare la selezione |
| 4. Schermo di Visualizzazione | 11. Pulsante di Rilascio del Rullo della Spazzola | |
| 5. Pulsante di Rilascio del Serbatoio dell'Acqua Usato | 12. Pulsanti di Rilascio del Coperchio del Rullo della Spazzola | |
| 6. Maniglia del Serbatoio dell'Acqua Usata | 13. Serbatoio dell'Acqua Pulita | |
| 7. Serbatoio dell'Acqua Usato | 14. Maniglia del Serbatoio dell'Acqua Pulita | |

Base di Ricarica



1. Contatti di Ricarica
2. Uscita di Asciugatura dell'Aria
3. Ingresso di Asciugatura dell'Aria
4. Cavo di Alimentazione

Schermo di Visualizzazione



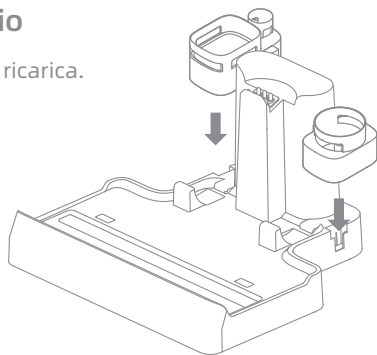
- | | | |
|----------------------------|---|--|
| 1. Modalità Auto | 4. Messaggi di Errore | 5. Modalità di Asciugatura |
| 2. Indicatore di Ricarica | <ul style="list-style-type: none"> Acqua insufficiente nel serbatoio dell'acqua pulita Serbatoio dell'acqua usato pieno Tubo bloccato Rullo della spazzola bloccato | 6. Indicatore di Batteria Bassa |
| 3. Modalità di Aspirazione | | 7. Modalità Turbo |
| | | 8. Indicatore di Concentrazione di Polvere |
- Il colore della curva cambia con la quantità di polvere in tempo reale

Nota: Se l'apparecchio non funziona correttamente, la visualizzazione dello schermo mostrerà un messaggio di errore. Per favore fai riferimento alla sezione Prompt di Errore e Soluzioni per trovare la tua soluzione.

IT Installazione

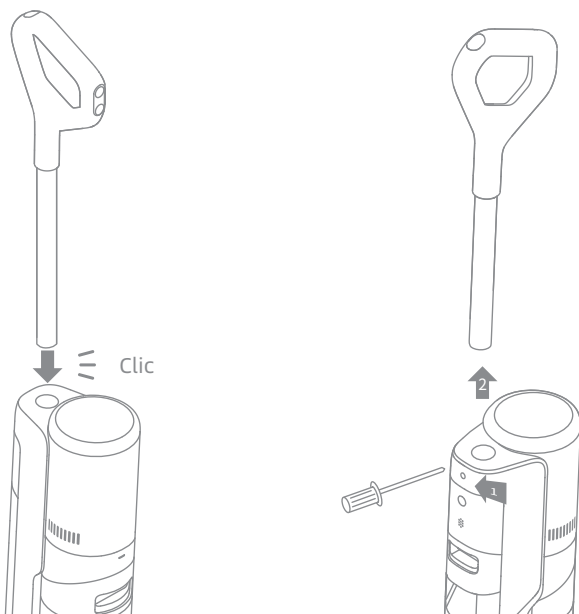
Installare la Scatola di Stoccaggio

Installa la scatola di stoccaggio sulla base di ricarica.



Installazione della Maniglia

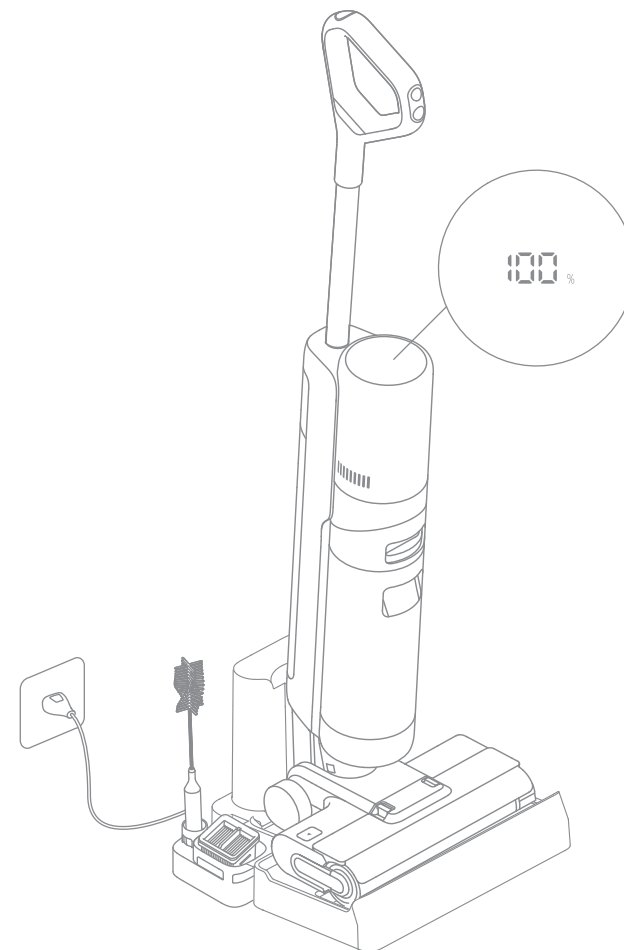
Inserire il fondo della maniglia verticalmente nella porta sulla parte superiore dell'aspirapolvere secondo la direzione mostrata nella figura e l'installazione è riuscita quando si sente un clic.



Nota: Per smontare la maniglia, utilizzare un oggetto duro per raggiungere il foro sul retro dell'aspirapolvere per premere il contatto e allo stesso tempo estrarre la maniglia verso l'alto.

In ricarica

1. Posiziona la base di ricarica contro una parete su un terreno pianeggiante e collegala a una fonte di alimentazione. Ricarica completamente l'apparecchio prima del primo uso.
2. Posiziona l'apparecchio sulla base di ricarica. Quando viene visualizzato il messaggio vocale "Avvia ricarica", l'apparecchio attiva la modalità di ricarica. Durante la ricarica, il numero sullo schermo di visualizzazione rappresenta il livello attuale della batteria in percentuale. Quando il numero raggiunge 100, la batteria è completamente carica.



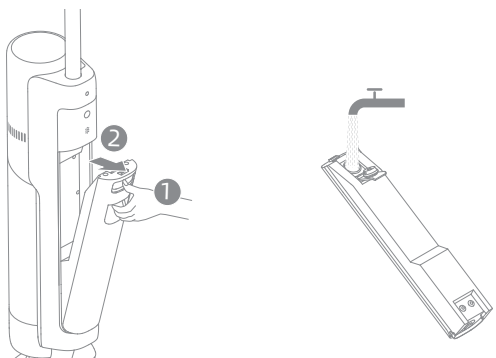
Nota:

- Se non c'è alcuna operazione entro 10 minuti prima di essere ricaricato completamente, l'aspirapolvere entrerà in modalità di sospensione. Per favore riavvia l'apparecchio se hai bisogno di usarlo.
- Per prolungare la durata della batteria, la batteria continua a raffreddarsi automaticamente per circa un'ora dopo che hai usato l'apparecchio per un lungo periodo.

Istruzioni per l'Uso

Riempi il Serbatoio dell'Acqua Pulita

Premi il pulsante di rilascio del Serbatoio dell'Acqua Pulita per rimuovere il serbatoio. Apri il coperchio del serbatoio e riempi il serbatoio con acqua pulita. Reinstalla il Serbatoio dell'Acqua Pulita e assicurati che scatti in posizione.

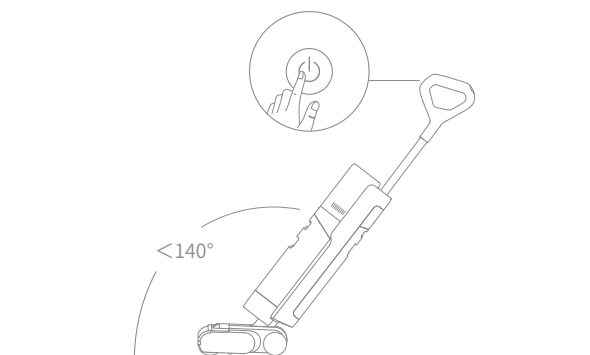


Nota:

- Per prestazioni di pulizia migliori, si consiglia di aggiungere 10 ml di detersivo con il tappo del flacone nel Serbatoio dell'Acqua Pulita pieno, quindi agitare delicatamente e uniformemente per l'uso.
- Non aggiungere liquidi diversi dal detergente ufficialmente approvato. Il detergente può essere disponibile sul negozio online ufficiale.

Inizia la Pulizia

Salire delicatamente sul coperchio della spazzola e reclinare l'apparecchio all'indietro. Premere l'interruttore di alimentazione  per avviare il funzionamento.



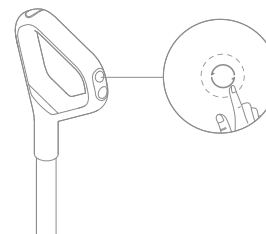
Nota:

- Non usare per aspirare liquidi schiumosi.
- Se l'apparecchio è in posizione verticale durante il funzionamento, il compito corrente sarà sospeso.
- L'apparecchio è adatto per la pulizia di pavimenti, marmo, piastrelle e altre superfici dure.
- Non reclinare l'apparecchio all'indietro di oltre 140° per evitare perdite d'acqua dall'apparecchio.
- Quando l'apparecchio è in funzione, non sollevarlo da terra, spostarlo, inclinarlo o appoggiarlo in piano. Farlo potrebbe far fluire l'acqua usata nel motore.

Istruzioni per l'Uso

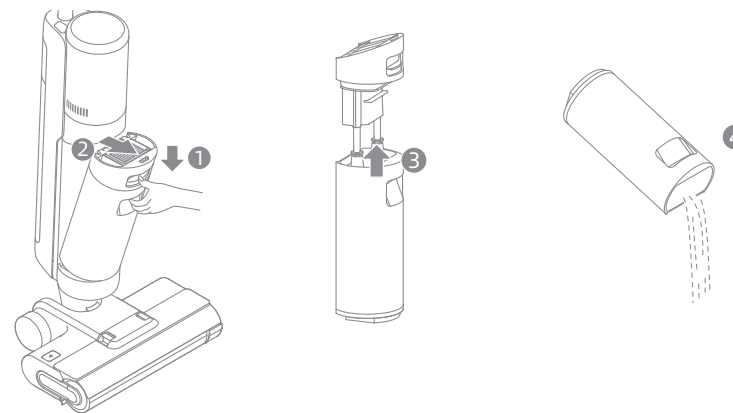
Cambiare le Modalità

Per impostazione predefinita, l'apparecchio si accende in modalità Auto. È possibile passare alla modalità di aspirazione o alla modalità turbo secondo necessità.




Svuota il serbatoio dell'acqua usata

Premi il pulsante di rilascio del Serbatoio dell'Acqua Usata per estrarre il serbatoio. Rimuovi il coperchio del serbatoio e versa l'acqua usata. Chiudi il coperchio del serbatoio e reinstalla il serbatoio prima dell'uso.




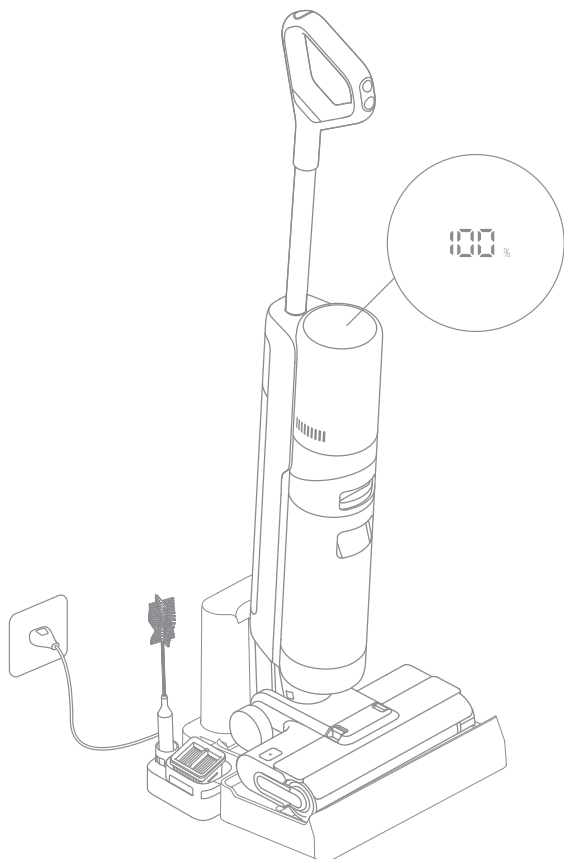
Un-clic Autopulizia

1. Dopo che l'apparecchio ha completato l'operazione di pulizia, riposizionalo sulla base e assicurati che l'acqua nel Serbatoio dell'Acqua Pulita sia sufficiente per l'auto-pulizia.
2. Premi brevemente il pulsante di auto-pulizia sulla parte superiore della maniglia per avviare / interrompere l'auto-pulizia.
3. Per favore svuota il Serbatoio dell'Acqua Usata dopo che l'auto-pulizia è stata completata e la modalità di asciugatura è stata attivata. Premi il pulsante  per uscire dalla modalità di asciugatura.

Nota: La funzione di auto-pulizia è attivabile solo quando l'apparecchio è in ricarica e il livello della batteria è superiore al 20%.

Modalità di Asciugatura

1. Per favore premi e tieni premuto il pulsante di auto-pulizia  per 3 secondi per attivare la modalità di asciugatura.
2. L'apparecchio verrà ricaricato una volta completata l'asciugatura.



Nota:

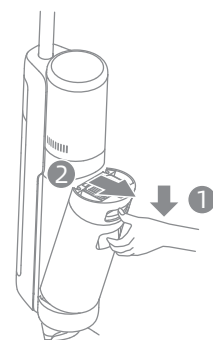
- Pulisci la base di ricarica se ci sono delle macchie lasciate sulla base dopo che l'auto-pulizia è completa.
- Se pulisci manualmente il rullo della spazzola, per favore asciugalo accuratamente all'aria o usando la modalità di asciugatura più volte.

Suggerimenti:

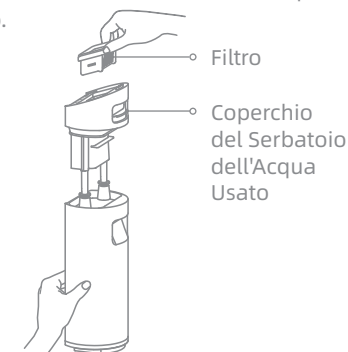
- Spegni l'apparecchio prima della manutenzione. Non toccare l'interruttore di alimentazione.
- Le parti devono essere sostituite se necessario, si prega di utilizzare le parti designate dalla fabbrica originale per evitare danni al prodotto a causa di inadeguatezza.
- Se l'apparecchio non è usato per un periodo esteso, ricaricalo completamente, scollega l'adattatore di alimentazione e riponi l'apparecchio in un ambiente fresco e poco umido, lontano dalla luce solare diretta. Per evitare una scarica eccessiva della batteria, ricarica l'apparecchio almeno una volta ogni 3 mesi.

Pulizia del Serbatoio dell'Acqua Usata e del Filtro

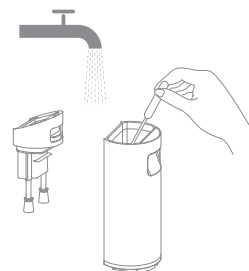
1. Premi il pulsante di rilascio del Serbatoio dell'Acqua Usata ed estrai il Serbatoio dell'Acqua Usata.



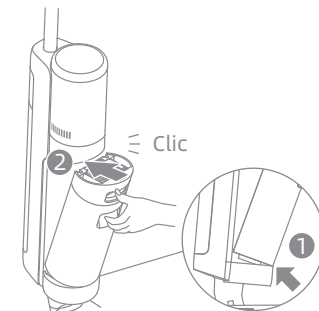
2. Estrai il filtro dal coperchio del Serbatoio dell'Acqua Usata. Rimuovi il coperchio del serbatoio e versa l'acqua di scarico.



3. Sciacqua il serbatoio dell'acqua usata e il coperchio del serbatoio con acqua pulita. Pulisci la parete interna del serbatoio con la spazzola in dotazione.



4. Chiudi il coperchio del Serbatoio dell'Acqua Usata, reinstalla il Serbatoio dell'Acqua Usata e assicurati che il serbatoio scatti in posizione.

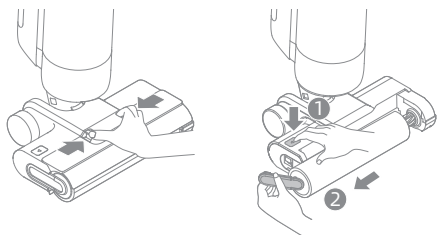


Nota:

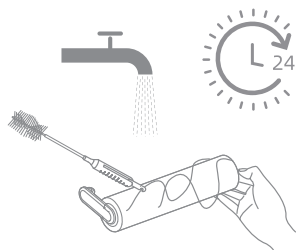
- Quando il filtro è sporco e deve essere lavato, sciacqualo con acqua. Deve essere completamente asciutto prima dell'uso.
- Si consiglia di sostituire il filtro ogni 3 - 6 mesi.

Pulizia del Gruppo Spazzole

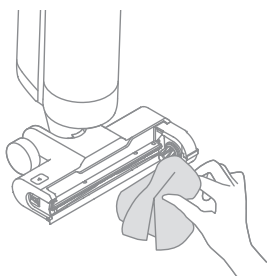
1. Innanzitutto, premi i pulsanti di rilascio del coperchio del rullo della spazzola verso l'interno su entrambi i lati per rimuovere il coperchio del rullo della spazzola. Quindi, premi il pulsante di rilascio del rullo della spazzola e la maniglia del rullo della spazzola uscirà. Tira la maniglia per estrarre il rullo della spazzola.



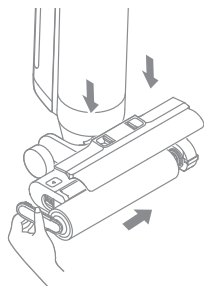
2. Elimina i capelli e i detriti aggrovigliati sul rullo della spazzola con la spazzola per la pulizia fornita. Sciacqua il rullo della spazzola con acqua pulita. Asciuga accuratamente il rullo della spazzola all'aria, o asciugalo attivando la modalità di asciugatura più volte.



3. Pulisci l'ingresso di aspirazione con un panno asciutto o un panno umido. Non risciacquare il gruppo spazzola con acqua.



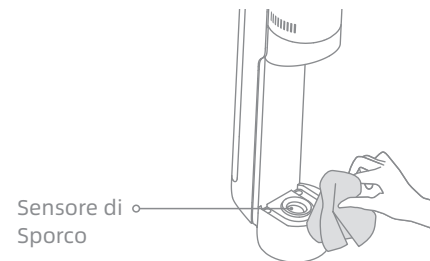
4. Dopo aver pulito il rullo della spazzola, reinstalla il rullo della spazzola e il coperchio del rullo della spazzola. Sentirai un clic per indicare che sono installati in posizione.

**Nota:**

- Pulisci secondo necessità. Si consiglia l'uso alternato dei due rulli della spazzola forniti.
- Si consiglia di sostituire il rullo della spazzola ogni 3 - 6 mesi.

Pulizia del Tubo e del Sensore di Sporco

Rimuovi il Serbatoio dell'Acqua Usata, pulisci il tubo e il sensore di sporco con un panno umido prima dell'uso.



Suggerimento Guasto

Se si verifica un errore, l'apparecchio smetterà di funzionare. Per favore fai riferimento alla tabella seguente per la risoluzione dei problemi. Se il problema persiste, per favore contatta il servizio clienti.

Errore	Causa Possibile	Soluzione
L'apparecchio non funziona.	La batteria dell'apparecchio è scarica o il livello della batteria è basso.	Ricarica completamente la batteria prima dell'uso.
	L'apparecchio è in posizione verticale.	Reclina l'apparecchio all'indietro.
	Modalità di protezione da surriscaldamento attivata da blocco.	Elimina il blocco e attendi che la temperatura ritorni normale.
	Il serbatoio dell'acqua usata è pieno.	Svuota il serbatoio dell'acqua usata.
	Le parti non sono installate in posizione.	Assicurarsi che tutte le parti siano posizionate correttamente.
L'apparecchio si ricarica lentamente.	La temperatura della batteria è troppo bassa o troppo alta.	Attendi finché la temperatura della batteria non torna normale.
La potenza di aspirazione dell'apparecchio è debole.	Il filtro è ostruito.	Pulizia del filtro.
	L'ingresso o il tubo di aspirazione è bloccato da un oggetto estraneo.	Pulisci il tubo e l'ingresso di aspirazione.
Il motore fa uno strano rumore.	C'è troppa acqua sporca nel Serbatoio dell'Acqua Usata.	Svuota il serbatoio dell'acqua usata.
	La bocca di aspirazione principale è ostruita.	Eliminare qualsiasi blocco nella bocca di aspirazione principale.
L'indicatore della concentrazione di sporco è rosso fisso.	Il sensore di sporco deve essere pulito.	Il sensore di sporco è nel tubo. Segui le istruzioni per la pulizia del tubo.
	La concentrazione del detergente è troppo alta.	Diluisi il detergente con acqua nella proporzione consigliata.
	Una soluzione di pulizia di terze parti ha causato una grande quantità di schiuma.	Usa solo il detergente ufficialmente approvato.
L'indicatore di stato della batteria non si accende durante la carica.	La spina della base di ricarica non è inserita correttamente nella presa elettrica.	Assicurati che la spina della base di ricarica sia inserita in posizione.
	L'apparecchio non è posizionato correttamente sulla base di ricarica.	Assicurati che l'apparecchio sia posizionato correttamente sulla base di ricarica.





Suggerimento Guasto

Non esce acqua dall'apparecchio.	Il serbatoio dell'acqua pulita non è stato installato o il serbatoio dell'acqua pulita è vuoto.	Reinstallare o riempire il serbatoio dell'acqua pulita.
	Ci vogliono 30 secondi per inumidire il rullo della spazzola.	Accendi l'apparecchio e ricontrolla tra 30 secondi.
Perdita d'acqua dalla parte superiore del serbatoio dell'acqua sporca.	Una collisione o una forte trazione provoca l'ingresso di acqua nel motore.	Spostare delicatamente avanti e indietro quando l'aspirapolvere è acceso.
	Il filtro non è completamente asciutto dopo essere stato pulito.	Asciugare completamente il filtro prima dell'uso.
Auto-pulizia fallita.	Il rullo della spazzola potrebbe essere inceppato da particelle grandi.	Apri il coperchio del rullo della spazzola per controllare e pulire il rullo della spazzola.
	L'apparecchio non è posizionato correttamente sulla base di ricarica.	Assicurati che l'apparecchio sia in ricarica prima di abilitare la funzione di auto-pulizia.
	L'auto-pulizia non può essere avviata se il livello della batteria è inferiore al 20%.	L'auto-pulizia non può essere avviata se il livello della batteria è inferiore al 20%.
	Il serbatoio dell'acqua usata non è installato in posizione o il serbatoio dell'acqua usata è pieno.	Reinstalla o svuota il serbatoio dell'acqua usata.
Scarse prestazioni di asciugatura.	Il serbatoio dell'acqua pulita non è stato installato o il serbatoio dell'acqua pulita è vuoto.	Reinstallare o riempire il serbatoio dell'acqua pulita.
	L'uscita dell'aria e l'ingresso dell'aria della base di ricarica potrebbero essere bloccati.	Controlla e rimuovi il blocco dell'uscita dell'aria e dell'ingresso dell'aria.

Per servizi aggiuntivi, per favore contattaci via aftersales@dreame.tech
<https://global.dreametech.com>

Prompt di errore e soluzioni

In presenza di una situazione abnormale durante l'uso del dispositivo, lo schermo visualizzerà un messaggio rapido. Si devono seguire le indicazioni sullo schermo per mantenere le funzionalità invariate.

Icona Errore	Causa Possibile	Soluzioni
	Acqua insufficiente nel serbatoio dell'acqua pulita	Riempire il serbatoio dell'acqua pulita.
	Serbatoio dell'acqua usato pieno	Svuota il serbatoio dell'acqua usata.
	Rullo della spazzola bloccato	Pulisci il rullo della spazzola con la spazzola per la pulizia fornita.
	Tubo Bloccato	Controlla se il filtro è intasato. Alternativamente, pulisci il tubo e il sensore di sporco.

Codice di Errore	Causa Possibile	Soluzioni
E1-E7	Errore	Riavvi l'apparecchio per la risoluzione dei problemi. Se il problema persiste, per favore contatta il servizio clienti.
H1-H6		
H7	Batteria guasta	Attendere che la temperatura della batteria ritorni normale, e poi continuare l'utilizzo dell'aspirapolvere.

Parametri di Base

Aspirapolvere			
Modello	HHR30B	Tempo di Carica	ca. 5-6 ore
		Tempo di Asciugatura	1 ora
Tensione Nominale	21,6 V ===	Tensione di Carica	27 V ===
Potenza Nominale	300 W	Capacità del Serbatoio dell'Acqua Usata	700 mL
		Capacità del Serbatoio dell'Acqua Pulita	900 mL
Base di Ricarica			
Modello	HCBG	Potenza Nominale	130 W
Ingresso Nominale	220-240 V ~ 50-60 Hz	Uscita Nominale	27 V === 0,9 A

La potenza nominale viene misurata durante un periodo rappresentativo in cui l'apparecchio funziona a piena potenza all'inizio, con le funzioni di carica e asciugatura attivate contemporaneamente.

Smaltimento e Rimozione della Batteria

La batteria incorporata agli ioni di litio contiene sostanze pericolose per l'ambiente.

Prima di smaltire la batteria, assicurati che la batteria sia rimossa da tecnici qualificati e smaltita presso un centro di riciclaggio appropriato.

- la batteria deve essere rimossa dall'apparecchio prima che sia rottamata;
- l'apparecchio deve essere scollegato dalla rete di alimentazione al momento della rimozione della batteria;
- la batteria deve essere smaltita in modo sicuro.

Guida alla Rimozione

1. Rimuovi lo schermo di visualizzazione ruotandolo con uno strumento.
2. Rimuovi le viti sul coperchio della batteria a turno e quindi fai leva per aprire il coperchio con gli strumenti appropriati.
3. Scollega i terminali tra la batteria e la scheda PCB per rimuovere la batteria.

ATTENZIONE:

- Prima di rimuovere la batteria, scollega l'alimentazione ed esaurisci la batteria il più possibile.
- Le batterie non necessarie devono essere smaltite presso un centro di riciclaggio appropriato.
- Non esporre ad ambienti ad alta temperatura per evitare rischi di esplosione.
- In condizioni abusive, il liquido potrebbe essere espulso dalla batteria. In caso di contatto, sciacqua con acqua e consulta un medico.

Informazioni RAEE



Tutti i prodotti contrassegnati da questo simbolo sono rifiuti di apparecchiature elettriche ed elettroniche (RAEE in base alla direttiva 2012/19/UE) che non devono essere smaltiti assieme a rifiuti domestici non differenziati. Al contrario, è necessario proteggere l'ambiente e la salute umana consegnando i rifiuti a un punto di raccolta autorizzato al riciclaggio di rifiuti di apparecchiature elettriche ed elettroniche, predisposto dalla pubblica amministrazione o dalle autorità locali. Lo smaltimento e il riciclaggio corretti aiutano a prevenire conseguenze potenzialmente negative all'ambiente e alla salute umana. Contattare l'installatore o le autorità locali per ulteriori informazioni sulla sede e per i termini e le condizioni di tali punti di raccolta.

Instrucciones de Seguridad Importantes

Lea este manual detenidamente antes de usar el aspirador y guárdelo para su consulta en el futuro.

Al usar un aparato eléctrico, siempre se deben seguir las precauciones básicas, incluidas las siguientes:

LEA TODAS LAS INSTRUCCIONES ANTES DE USO (DE ESTE APARATO). El incumplimiento de las advertencias e instrucciones puede provocar descargas eléctricas, incendios y / o lesiones graves.

ADVERTENCIA - Para reducir el riesgo de incendio, descarga eléctrica o lesiones: Restricciones de Uso

- Este producto no debe ser utilizado por niños menores de 8 años ni por personas con deficiencias físicas, sensoriales o intelectuales, o experiencia o conocimientos limitados, sin la supervisión de un progenitor o un tutor legal que pueda garantizar un funcionamiento seguro y evitar riesgos. La limpieza y el mantenimiento no deben ser realizados por menores sin supervisión.
- La película plástica puede causar peligro. Para evitar asfixia, manténgala alejado de los niños.
- Los niños no deben jugar con el aparato.
- Utilícelo únicamente en interiores y sobre pisos sin alfombras, como por ejemplo vinilo, baldosas, madera sellada, etc. Tenga cuidado de no pasar por encima de objetos sueltos o bordes de tapetes. Cepillo atrapado puede causar falla prematura de la correa.
- Utilícelo únicamente como se describe en este manual del usuario. Utilice solo los accesorios recomendados por el fabricante.
- No exponga el aparato al fuego ni a temperaturas excesivas. Exponerlo a fuego o a una temperatura excesiva puede provocar explosión.
- No lo utilice en ambientes extremadamente cálidos o fríos (por debajo de 5°C /41° F o sobre 40° C/104° F). Cargue el aparato a una temperatura superior a 5°C /41° F e inferior a 40°C /104° F).
- No sumerja el aparato en líquido.
- No lo use para recoger líquidos inflamables o combustibles, como gasolina. No lo use en áreas donde pueda haber líquidos inflamables o combustibles.
- No coloque ningún objeto en las aberturas. No utilice el aparato cuando alguna abertura esté bloqueada; manténgalo libre de polvo, pelusa, cabello y cualquier cosa que pueda impedir el flujo de aire.
- No recoja material tóxico (blanqueador con cloro, amoníaco, líquido limpiador de desagües, etc.). No recoja objetos duros o afilados como vidrio, clavos, tornillos, monedas, etc.
- No utilice el aparato en un espacio cerrado lleno de vapor emitido por pintura a base de aceite, disolvente de pintura, sustancias a prueba de polillas, polvo inflamable u otros vapores explosivos o tóxicos. No recoja ningún objeto que se esté quemando o humeando, como cigarrillos, fósforos o cenizas calientes.
- No lo use sin los filtros instalados correctamente.
- Mantenga el cabello, la ropa suelta, los dedos y todas las partes de su cuerpo alejados de las aberturas y las partes móviles del aparato y sus accesorios.
- Mantenga los cables de conexión a tierra alejados del aparato durante el uso, ya que puede producirse peligro si el aparato atropella un cable de alimentación.
- Tenga especial cuidado al limpiar escaleras.

Instrucciones de Seguridad Importantes

Mantenimiento y Almacenamiento

- Para evitar arranque involuntario, asegúrese de que el interruptor esté en la posición APAGADO antes de levantar o transportar el aparato. Llevar el aparato con el dedo puesto en el interruptor o cargarlo con el interruptor en encendido puede provocar accidentes.
- Asegúrese de que el aparato esté colocado sobre una superficie horizontal. No utilice el aparato en el mismo puesto si el aparato cuenta con un cepillo de rodillo y el asa no está en posición completamente vertical. No guarde el aparato en un lugar donde pueda congelarse.
- Apague y desenchufe el aparato cuando no está funcionando, antes de limpiarlo, mantenerlo o repararlo, y antes de conectarlo o desconectarlo con un cepillo de movimiento.
- No utilice electrodomésticos que estén dañados o modificados. Baterías dañadas o modificadas pueden provocar actos impredecibles que resulten en fuego, explosión o riesgo de lesiones.
- No modifique ni intente reparar el aparato salvo que se indique en las instrucciones de uso y cuidado.
- No utilice el aparato con un accesorio dañado (p. ej., base de carga, cable de alimentación, etc.). Si el accesorio está dañado, debe ser reemplazado por el fabricante, su agente de servicio o personas cualificadas similares para evitar peligros.
- El servicio debe ser realizado por un técnico calificado que utilice únicamente piezas de repuesto idénticas. Esto asegura que se mantiene la seguridad del producto.

Batería y Carga

- A fin de recargar el aparato, utilice únicamente la base de carga provista con este aparato. Utilice únicamente con la base de carga HCBG.
- Siga todas las instrucciones de carga y no cargue el aparato fuera del rango de temperatura especificado en la batería, ya que hacerlo aumenta el riesgo de incendio.
- La base de carga cuenta con una función de secado y solo es adecuada para secar el cepillo de este aparato.
- Mantenga el cable de la base de carga alejado de superficies calientes. No toque el enchufe de la base de carga ni el aparato con manos mojadas. Para desenchufar, tire por el enchufe de la base de carga, no por el cable.
- No tire ni traslade la base de carga por cable, no utilice el cable como manija, no cierre la puerta por encima del cable ni tire el cable contra bordes o esquinas afilados.
- Este producto contiene baterías que solo pueden ser reemplazadas por técnicos calificados o servicio posventa.
- El paquete de baterías de iones de litio contiene sustancias que son peligrosas para el medio ambiente. Antes de desechar el electrodoméstico, primero retire el paquete de baterías y luego deséchelo o recíclalo de acuerdo con las leyes y regulaciones locales del país o región en el que se usa.
- El aparato debe estar desconectado de la fuente de alimentación al retirar la batería. Mantenga las baterías fuera del alcance de los niños. Nunca ponga las baterías en la boca. Si se ingiere, comuníquese con su médico o con el control local de envenenamiento.
- En condiciones abusivas, nunca toque la batería de la que puede salir líquido. Si ocurre contacto accidentalmente, enjuague con agua. Si el líquido entra en contacto con los ojos, busque ayuda médica inmediatamente. El líquido divulgado de la batería puede causar irritación o quemaduras.

Instrucciones de Seguridad Importantes

Símbolos



Equipo clase II



Lapso de tiempo miniatura fusible donde 3,15 es el símbolo de la característica de tiempo/corriente



Unidad de suministro desmontable



Leer el manual del operador



Información sobre RAEE

Todos los productos que llevan este símbolo son residuos de aparatos eléctricos y electrónicos (RAEE según la directiva 2012/19/UE) que no deben mezclarse con residuos domésticos sin clasificar. En su lugar, debe proteger la salud humana y el medio ambiente entregando sus equipos de desecho a un punto de recogida para el reciclaje de residuos de equipos eléctricos y electrónicos, designado por el gobierno o las autoridades locales. La eliminación y el reciclado correctos ayudarán a evitar posibles consecuencias negativas para el medio ambiente y la salud humana. Póngase en contacto con el instalador o con las autoridades locales para obtener más información sobre la ubicación y las condiciones de dichos puntos de recogida.

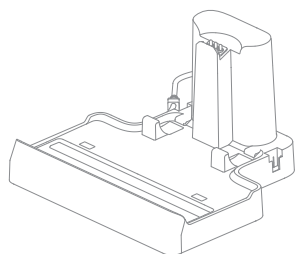
GUARDE ESTAS INSTRUCCIONES

Uso Doméstico Sólo

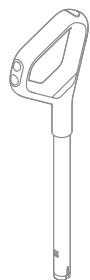
Nosotros, Dreame Trading (Tianjin) Co., Ltd., por la presente, declaramos que el equipo cumple con las Directivas y Normas Europeas aplicables y las enmiendas. Encontrará el texto completo de la declaración de conformidad de la UE en esta dirección de Internet: <https://global.dreametech.com>
Para un manual electrónico detallado, vaya a <https://global.dreametech.com/pages/user-manuals-and-faqs>

Descripción del producto

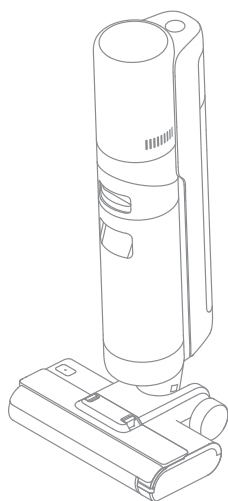
Lista de paquete



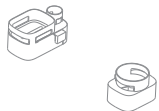
Base de carga



Asa



Cuerpo principal



Caja de almacenaje



Cepillo limpiadora



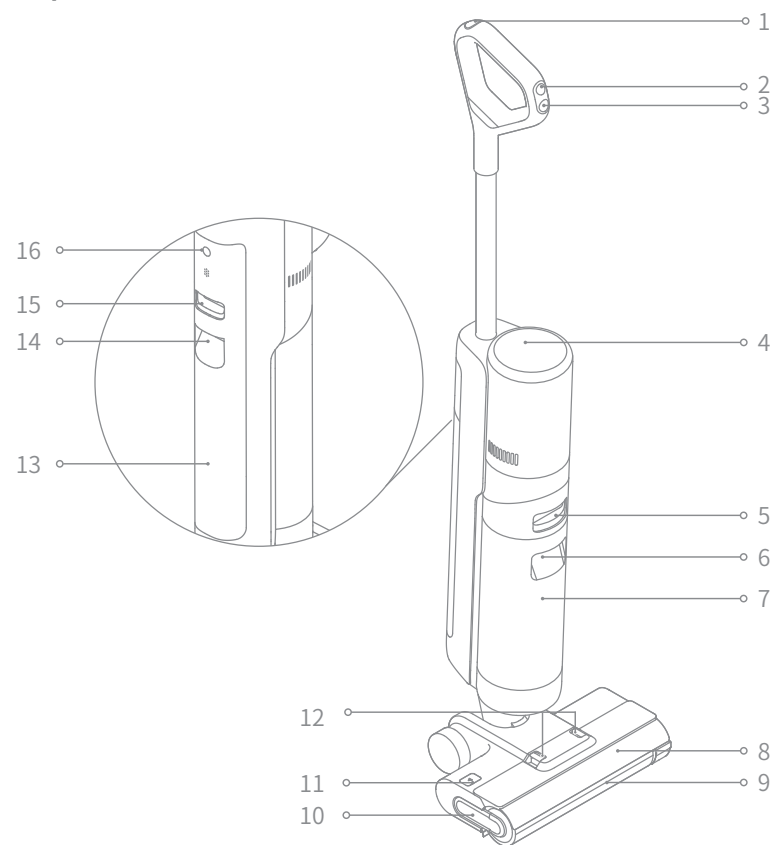
Cepillo de rodillo de repuesto



Filtro de repuesto

Descripción del producto

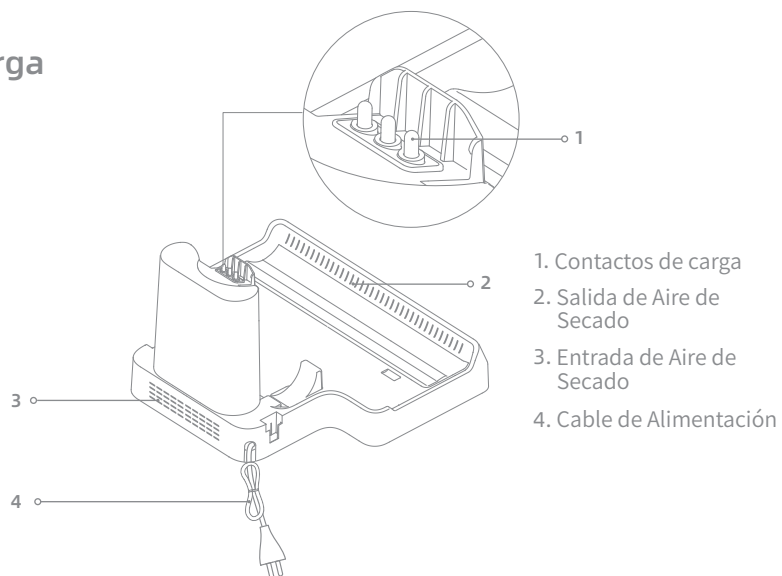
Aspirador



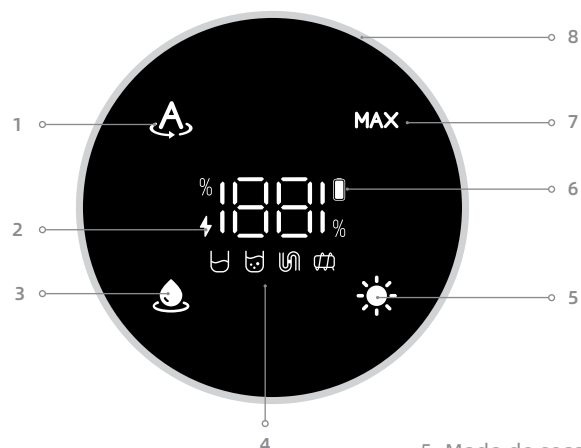
- | | | |
|---|---|--|
| 1. Botón de autolimpieza | 8. Tapa de cepillo de rodillo | 15. Botón de liberación del tanque de agua limpia |
| 2. Cambio de modo | 9. Cepillo de rodillo | 16. Botón de aviso de voz |
| 3. Interruptor de alimentación | 10. Asa de cepillo de rodillo | <ul style="list-style-type: none"> • Presione brevemente para activar el mensaje de voz o ajustar el volumen • Mantenga pulsado durante 3 segundos para acceder a la configuración de idioma. Pulse para cambiar entre idiomas. Mantenga pulso para confirmar la selección |
| 4. Pantalla de visualización | 11. Botones de liberación de cepillo de rodillo | |
| 5. Botón de liberación del tanque de agua usada | 12. Botones de liberación de tapa de cepillo de rodillo | |
| 6. Mango de tanque de agua usada | 13. Tanque de agua limpia | |
| 7. Tanque de agua usada | 14. Asa del tanque de agua limpia | |

Descripción del producto

Base de carga



Pantalla de visualización



1. Modo automático

2. Indicador de carga

- Parpadeo en naranja: Nivel de batería \leq 20%
- Parpadeo en verde: Nivel de batería $>$ 20%

3. Modo de succión

4. Mensajes de error

- Agua insuficiente en el tanque de agua limpia
- Tanque de agua usado lleno
- Tubo bloqueado
- Cepillo de rodillo bloqueado

5. Modo de secado

6. Indicador de batería baja

- Naranja fijo: Nivel de batería \leq 20%
- Verde fijo: Nivel de batería $>$ 20%

7. Modo turbo

8. Indicador de concentración de polvo

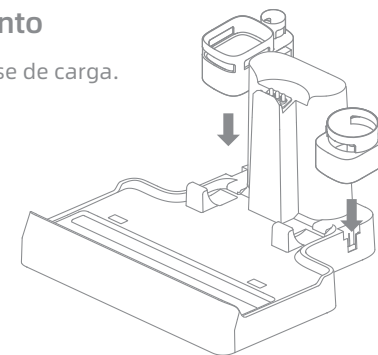
El color cambia de acuerdo con el nivel de polvo inhalado

Nota: Si el dispositivo no funciona correctamente, la pantalla mostrará un mensaje de error. Consulte la sección Indicaciones de Error y Soluciones para encontrar su solución.

Instalación

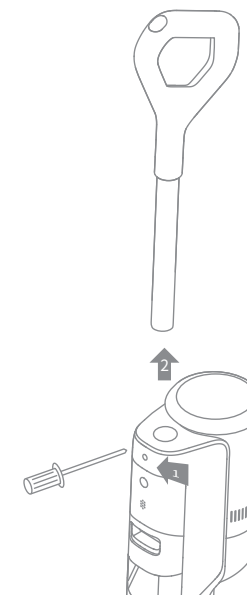
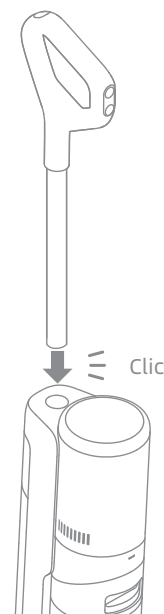
Instalar la caja de almacenamiento

Instale la caja de almacenamiento en la base de carga.



Instalar el asa

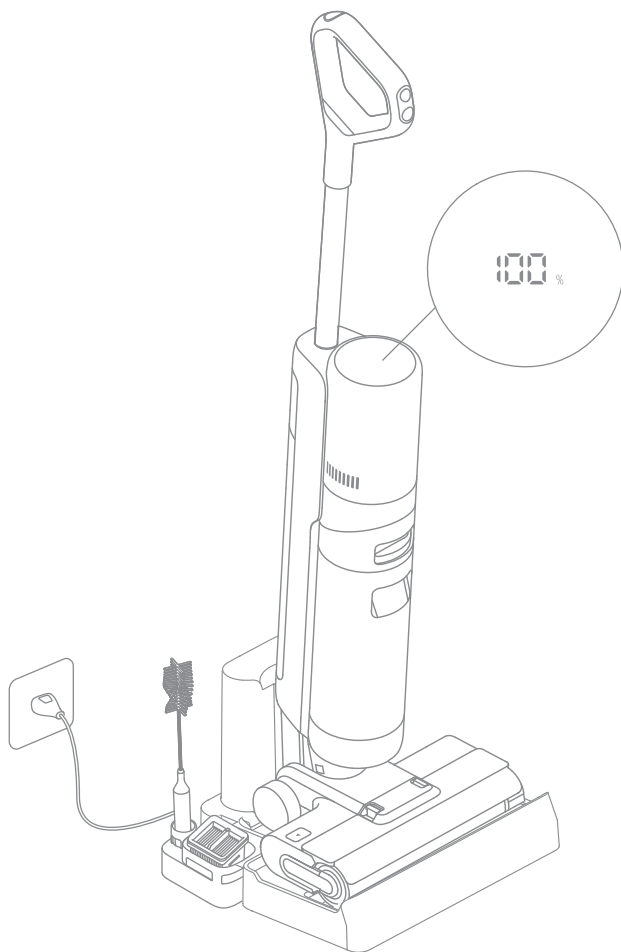
Inserte el extremo del asa verticalmente en el puerto ubicado en la parte superior del aspirador como se indica, y asegure que haya encajado bien en su lugar.



Nota: Para desmontar el asa, inserte un objeto duro al orificio en la parte posterior del aspirador para presionar el contacto y, al mismo tiempo, tire el asa hacia arriba.

Cargando

1. Coloque la base de carga contra una pared a nivel del suelo y conéctela a una fuente de alimentación. Cargue completamente el aparato antes del primer uso.
2. Coloque el aparato en la base de carga. Cuando se muestra el mensaje de voz "Comenzar a Cargar", el aparato habilitará el modo de carga. Durante la carga, el número que aparece en la pantalla representa el nivel actual de la batería en un porcentaje. Cuando el número llega a 100, la batería está completamente cargada.



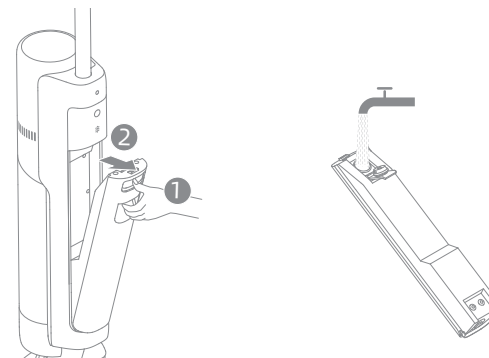
Nota:

- Si no hay ninguna operación dentro de los 10 minutos tras cargarse por completo, el aspirador entrará en modo de suspensión. Reinicie el dispositivo si necesita utilizarlo.
- Para prolongar la vida útil de la batería, la batería sigue enfriándose durante aproximadamente una hora automáticamente después de uso prolongado del aparato.

Instrucción del uso

Llene el tanque de agua limpia


Pulse el botón de liberación del tanque de agua limpia para retirar el tanque. Abra la tapa del tanque y llénelo con agua limpia. Vuelva a instalar el tanque de agua limpia y asegúrese de que encaje en su lugar.

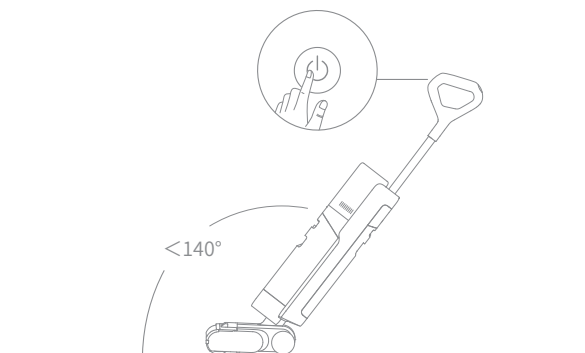


Nota:

- Para un mejor rendimiento de limpieza, se recomienda añadir 10ml de detergente con la tapa de la botella al tanque de agua limpia lleno, luego agitar el tanque suave y uniformemente para su uso.
- No agregue ningún líquido que no sea el detergente aprobado por Dreame. El detergente está disponible en la tienda en línea oficial.

Empiece a limpiar

Pise suavemente la cubierta del cepillo y recline el aparato hacia atrás. Pulse el interruptor de encendido  para empezar a operar.

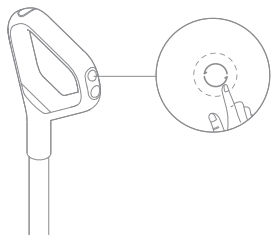


Nota :

- No lo use para aspirar líquidos espumosos.
- Si el aparato se encuentra en posición vertical mientras trabaja, la tarea actual se suspenderá.
- El aparato es adecuado para limpiar piso, mármol, baldosas y otras superficies duras.
- No recline el aparato hacia atrás a más de 140° para evitar fuga de agua.
- Cuando el aparato está funcionando, no lo levante del suelo, no lo mueva, no lo incline ni lo acueste. De hacerlo, puede que el agua usada fluya hacia el motor.

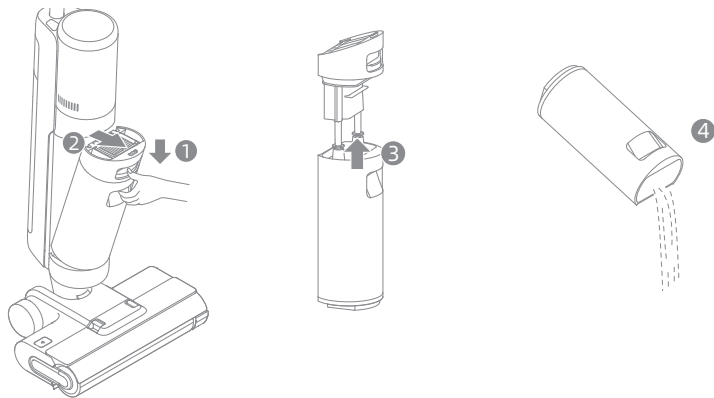
Cambiar entre modos

El aparato se enciende en modo Automático de manera predeterminada. Puede cambiar al modo de succión o al modo turbo según sea necesario.



Vacíe el tanque de agua usada

Pulse el botón de liberación del tanque de agua usada para retirar el tanque. Retire la tapa del tanque y vierta el agua usada. Cierre la tapa del tanque y vuelva a instalar el tanque antes de usarlo.



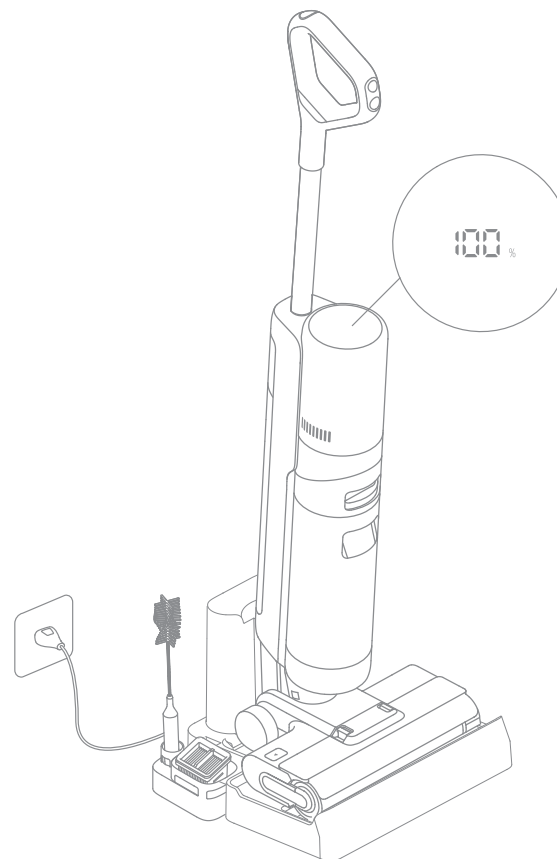
Autolimpieza con un clic

1. Después de que el aparato complete la tarea de limpieza, colóquelo nuevamente en la base y asegúrese de que el agua en el tanque de agua limpia sea suficiente para la autolimpieza.
2. Apriete brevemente el botón de autolimpieza en la parte superior del asa para iniciar/detener la autolimpieza.
3. Vacíe el tanque de agua usada después de completar la autolimpieza y habilitar el modo de secado. Presione el botón para salir del modo de secado

Nota: La función de autolimpieza solo se puede habilitar cuando el aparato se está cargando y el nivel de la batería está superior al 20%.

Modo de secado

1. Mantenga presionado el botón de autolimpieza durante 3 segundos para habilitar el modo de secado
2. El aparato se cargará una vez completado el secado.



Nota:

- Limpie la base de carga si quedan manchas en la base después de completarse la autolimpieza.
- Si limpia el cepillo de rodillo manualmente, séquelo bien al aire o usando el modo de secado varias veces.

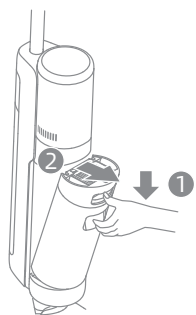
Cuidado y mantenimiento

Consejos :

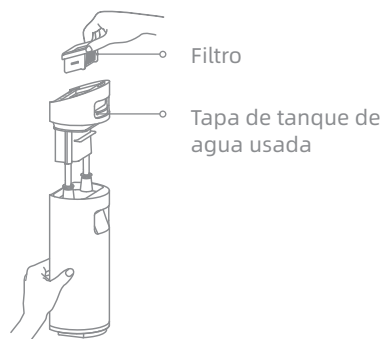
- Apague el aparato antes del mantenimiento. No toque el Interruptor de Alimentación.
- Las piezas deben ser reemplazadas si es necesario. Utilice solamente las piezas designadas por la fábrica original para evitar daños al producto por incompatibilidad.
- Si el aparato no se utiliza durante un período prolongado, cárguelo por completo, desenchufe el adaptador de corriente y guárdelo en un ambiente fresco y con poca humedad, lejos de la luz solar directa. Para evitar una descarga excesiva de la batería, cargue el aparato al menos una vez cada 3 meses.

Limpiar el tanque de agua usada y el filtro

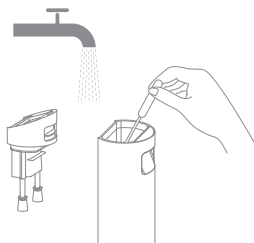
1. Pulse el botón de liberación del tanque de agua usada y retire el tanque de agua usada.



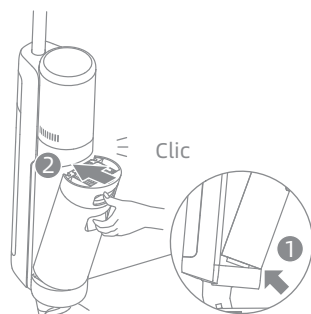
2. Retire el filtro de la tapa del tanque de agua usada. Retire la tapa del tanque y vierta el agua residual.



3. Enjuague el tanque de agua usada y su tapa con agua limpia. Limpie la pared interna del tanque con el cepillo provisto.



4. Cierre la tapa del tanque de agua usada, vuelva a instalar el tanque y asegúrese de que encaje en su lugar.



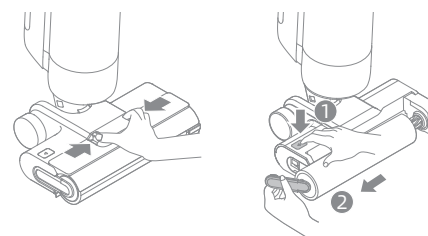
Nota:

- Cuando el filtro esté sucio y necesite lavarse, enjuáguelo con agua. Debe estar completamente seco antes de su uso.
- Se recomienda reemplazar el filtro cada 3 a 6 meses.

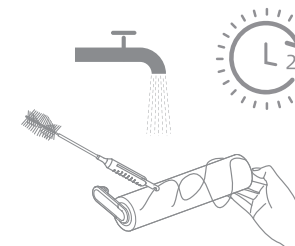
Cuidado y mantenimiento

Limpieza del conjunto del cepillo

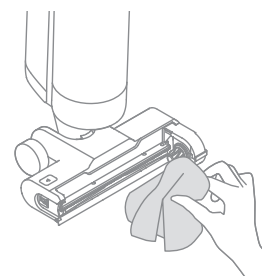
1. Primero, pulse los botones de liberación de la tapa del cepillo de rodillo hacia adentro en ambos lados para quitarle la tapa. A continuación, pulse el botón de liberación del cepillo de rodillo y el asa del cepillo de rodillo saldrá. Tire del asa para sacar el cepillo de rodillo.



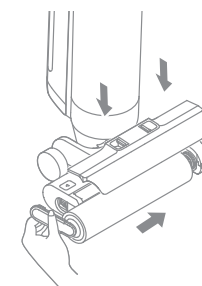
2. Elimine los pelos y otros residuos enredados en el cepillo de rodillo con el cepillo de limpieza provisto. Enjuague el cepillo de rodillo con agua limpia. Seque bien el cepillo de rodillo al aire o con el modo de secado varias veces.



3. Limpie la entrada de succión con un paño seco o un pañuelo húmedo. No enjuague el conjunto del cepillo con agua.



4. Después de limpiar el cepillo de rodillo, vuelva a instalarlo y su tapa. Oirá un clic que indica que están instalados bien.



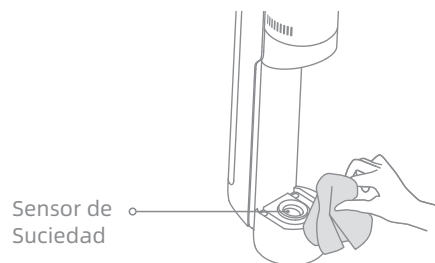
Nota:

- Limpiar según sea necesario. Se recomienda alternar el uso de los dos cepillos de rodillo provistos.
- Se recomienda reemplazar el cepillo de rodillo cada 3 a 6 meses.

Cuidado y mantenimiento

Limpeza del tubo y del sensor de suciedad

Retire el tanque de agua usado, limpie el tubo y el sensor de suciedad con un paño húmedo antes de uso.



Indicación de fallo





Si se produce un error, el dispositivo dejará de funcionar. Consulte la siguiente tabla para resolver problemas. Si el problema persiste, póngase en contacto con el servicio de atención al cliente.

Error	Causa posible	Solución
El aparato no funciona.	El aparato no tiene batería o su nivel de batería es bajo.	Cargue completamente su batería antes de usar.
	El aparato está en posición vertical.	Recline el aparato hacia atrás.
	Modo de protección contra sobrecalentamiento habilitado por bloqueo.	Elimine la obstrucción y espere hasta que la temperatura vuelva a la normalidad.
	El tanque de agua usada está lleno.	Vacíe el tanque de agua usada.
	Las piezas no están instaladas correctamente.	Asegúrese de que todas las piezas están correctamente instaladas.
El aparato se carga lentamente.	La temperatura de la batería está demasiado baja o demasiado alta.	Espere hasta que la temperatura de la batería vuelva a la normalidad.
La potencia de succión del aparato está débil.	El filtro está obstruido.	Limpieza del filtro.
	La entrada o el tubo de succión está bloqueado por un objeto extraño.	Limpie el tubo y la entrada de succión.
El motor produce un ruido extraño.	Hay demasiada agua sucia en el tanque de agua usada.	Vacíe el tanque de agua usada.
	La boquilla de succión principal está bloqueada.	Elimine cualquier obstrucción en la boquilla de succión principal.
El indicador de la concentración de suciedad está en rojo fijo.	El sensor de suciedad necesita limpieza.	El sensor de suciedad está en el tubo. Siga las instrucciones de limpieza del tubo.
	La concentración del detergente está demasiado alta.	Diluya el detergente con agua en la proporción recomendada.
	Una solución de limpieza de terceros provocó una gran cantidad de espuma.	Utilice únicamente el detergente aprobado por nosotros.
El indicador de estado de la batería no se ilumina durante la carga.	El enchufe de la base de carga no está insertado correctamente en el tomacorriente.	Asegúrese de que el enchufe de la base de carga esté insertado correctamente.
	El aparato no está colocado correctamente en la base de carga.	Asegúrese de que el aparato esté colocado en la base de carga correctamente.

No sale agua del aparato.	El tanque de agua limpia no se ha instalado correctamente o está vacío.	Reinstale o llene el tanque de agua limpia.
	Se tarda 30 segundos en humedecer el cepillo giratorio.	Encienda el aparato y verifique nuevamente en 30 segundos.
Fuga de agua por la parte superior del tanque de agua sucia.	Una colisión o un tirón brusco causa que entre agua en el motor.	Muévalo suavemente al usar el aspirador.
	El filtro no está completamente seco después de ser limpiado.	Seque completamente el filtro antes de usarlo.
Autolimpieza fracasó.	El cepillo de rodillo puede estar bloqueado por partículas grandes.	Abra la tapa del cepillo de rodillo para comprobar y limpiar el cepillo de rodillo.
	El aparato no está colocado correctamente en la base de carga.	Asegúrese de que el aparato se esté cargando antes de activar la función de autolimpieza.
	La autolimpieza no se puede iniciar si el nivel de la batería está inferior al 20%.	La función de autolimpieza sólo se puede activar cuando el aspirador está cargado y el nivel de la batería está superior al 20%.
	El tanque de agua usada no está instalado correctamente o está lleno.	Vuelva a instalar o vacíe el tanque de agua usada.
Bajo rendimiento de secado.	El tanque de agua limpia no se ha instalado correctamente o está vacío.	Reinstale o llene el tanque de agua limpia.
	La salida de aire y la entrada de aire de la base de carga pueden estar bloqueadas.	Verifique y elimine cualquier obstrucción de la salida de aire y la entrada de aire.

Para servicios adicionales, póngase en contacto con nosotros a través de aftersales@dreame.tech
<https://global.dreame.tech>

Si la aspiradora no funciona con normalidad, en la pantalla aparecerá un mensaje de error. Consulte la tabla siguiente para encontrar la solución al problema en función del mensaje de error.

Icono del error	Causa posible	Soluciones
	Agua insuficiente en el tanque de agua limpia	Llene el tanque de agua limpia.
	Tanque de agua usado lleno	Vacíe el tanque de agua usada.
	Cepillo de rodillo bloqueado	Limpie el cepillo de rodillo con el cepillo de limpieza provisto.
	Tubo bloqueado	Compruebe si el filtro está obstruido. Como alternativa, limpie el tubo y el sensor de suciedad.

Código de error	Causa posible	Soluciones
E1-E7	Error	Reinicie el dispositivo para solucionar problemas. Si el problema persiste, póngase en contacto con el servicio de atención al cliente.
H1-H6		
H7	Falla de batería.	Espere hasta que la temperatura de la batería vuelva a la normalidad antes de seguir usando el aspirador.

Aspirador			
Modelo	HHR30B	Tiempo de carga	aprox. 5-6 horas
		Tiempo de secado	1 hora
Voltaje nominal	21,6 V ===	Voltaje de carga	27 V ===
Potencia nominal	300 W	Capacidad del Tanque de Agua Usada	700 mL
		Capacidad de Tanque de Agua Limpia	900 mL
Base de carga			
Modelo	HCBG	Potencia nominal	130 W
Entrada nominal	220-240 V ~ 50-60 Hz	Salida nominal	27 V === 0,9 A

La potencia nominal se mide durante un periodo representativo con el aparato funcionando a plena potencia desde el inicio, con las funciones de carga y secado encendidas simultáneamente.

La batería de iones de litio incorporada contiene sustancias que son peligrosas para el medio ambiente. Antes de desechar la batería, asegúrese de sean retiradas por técnicos calificados y que la desechen en una instalación de reciclaje adecuada.

- se debe quitar la batería del aparato antes de desecharlo;
- el aparato debe estar desconectado de la red de alimentación cuando se quita la batería;
- la batería debe desecharse de forma segura.

Guía de Extracción

1. Quite la pantalla de visualización girándola con una herramienta.
2. Quite los tornillos de la tapa de batería uno a uno y luego abra la tapa con las herramientas adecuadas.
3. Desconecte los terminales entre la batería y la placa PCB para quitar la batería.

PRECAUCIÓN:

- Antes de quitar la batería, desconecte la alimentación y agote la batería tanto como sea posible.
- Las baterías quitadas deben desecharse en una instalación de reciclaje adecuada.
- No las exponga a alta temperatura para evitar riesgos de explosión.
- En condiciones ásperas, es posible que gotee líquido de la batería. Si ocurre contacto, enjuague con agua y busque ayuda médica.

Важные меры предосторожности

Обслуживание и хранение

- Не допускайте непреднамеренных запусков. Перед тем, как поднимать либо переносить прибор убедитесь, что выключатель находится в позиции ВЫКЛ. Перенос прибора с зажимом выключателя либо во включенном состоянии может привести к несчастным случаям.
- Убедитесь, что прибор размещен на горизонтальной поверхности. Запрещается использовать прибор в аналогичной позиции, если роликовая щетка или ручка находятся не вертикально. Запрещается хранить прибор в месте с риском заморозки.
- Выключайте прибор и отсоединяйте его от розетки, когда он не используется, перед очисткой, ремонтом или обслуживанием, а также перед подсоединением или отсоединением вращающейся щетки.
- Запрещается использовать поврежденный или модифицированный прибор. Испорченные либо модифицированные аккумуляторы могут вести себя непредсказуемо, что может вызвать возгорание, взрыв либо риск получения травм.
- Запрещается модифицировать либо чинить прибор способами, отличными от указанных в руководстве по использованию и уходу.
- Запрещается использовать прибор с поврежденными деталями (например, зарядной базой, кабелем и др.). Если деталь повреждена, необходимо выполнить ее замену у производителя, сервисного агента или другого квалифицированного персонала во избежание опасностей.
- Выполняйте техобслуживание только с помощью квалифицированного техперсонала и используйте только идентичные детали для замены. Это позволит гарантировать безопасность изделия.

Аккумулятор и зарядка

- Для подзарядки прибора используйте только базу в комплекте. Разрешается использовать только зарядную базу HCBG.
- Следуйте инструкциям по зарядке и не заряжайте прибор в среде с температурой выше указанной на аккумуляторе, так как это повышает риск возгорания.
- База для зарядки оснащена функцией просушки и подходит только для просушки щетки прибора.
- Держите базу для зарядки вдали от нагретых поверхностей. Запрещается трогать разъем базы для зарядки и прибор влажными руками. Чтобы вытащить разъем базы для зарядки, возьмитесь за него, а не дергайте за кабель.
- Запрещается тащить и нести базу для зарядки с помощью кабеля, а также использовать его в качестве ручки, прижимать его дверью или обматывать вокруг острых краев и углов.
- Данное изделие оснащено аккумулятором, замену которого должны выполнять только квалифицированные технические специалисты или представители послепродажного обслуживания.
- В литий-ионном аккумуляторном блоке содержатся опасные для окружающей среды элементы. Перед утилизацией прибора сначала извлеките аккумуляторный блок, затем вы можете его утилизировать или переработать в соответствии с местными законами и правилами в стране или регионе применения.
- При извлечении аккумулятора необходимо отключить прибор от электропитания. Храните аккумуляторы в недоступном для детей месте. Запрещается класть аккумуляторы в рот. В случае проглатывания свяжитесь с терапевтом либо местным отделом контроля опасных веществ.
- В условиях, противоречащих установленным, запрещается прикасаться к аккумулятору, из которого вытекает жидкость. Если контакта не удалось избежать, промойте место контакта водой. В случае попадания аккумуляторной жидкости в глаза, немедленно обратитесь за медицинской помощью. Аккумуляторная жидкость может вызывать раздражение или ожог.

Важные меры предосторожности

Знаки



Оборудование класса II
Задержка по времени миниатюра плавкая
вставка где 3,15 обозначает время/ток



Съемный блок питания



Прочитать руководство по эксплуатации



Информация об утилизации и переработке отходов электрического и электронного оборудования

Все изделия с символом раздельного сбора отработанного электрического и электронного оборудования (Директива WEEE 2012/19/EU) следует утилизировать отдельно от несортируемых бытовых отходов. С целью охраны здоровья и защиты окружающей среды такое оборудование необходимо сдавать на переработку в специальные пункты приема электрического и электронного оборудования, определенные правительством или местными органами власти. Правильная утилизация и переработка помогут предотвратить возможные негативные последствия для окружающей среды и здоровья человека. Для получения информации о местонахождении и порядке приема устройств в пунктах приема обратитесь в компанию, занимающуюся установкой оборудования, или в местные органы власти.

Меры предосторожности при хранении и транспортировке:

- Продукт должен транспортироваться в упаковке. Не подвергайте продукт давлению или ударам во время транспортировки.
- Пожалуйста, избегайте сильных столкновений во время транспортировки.
- Не транспортируйте прибор при температуре выше 50 °C или ниже -20 °C.
- В течение короткого периода, например одного месяца, прибор рекомендуется хранить при температуре от -20 °C до 50 °C и относительной влажности 60 % ± 5 %.
- В течение длительного времени храните прибор при температуре окружающей среды от 0 °C до 40°C.
- Утилизируйте прибор надлежащим образом. Когда его срок службы подойдет к концу, утилизируйте прибор в соответствии с местными законами и правилами страны или региона, в котором он используется.

Правила и условия реализации: без ограничений.

Импортер продает этот продукт; информацию об импортере см. на упаковке. Сведения об импортере и контактная информация отдела послепродажного обслуживания указаны на упаковке.

Дата изготовления: см. на упаковке Срок службы продукции 3 года.

НЕ ВЫБРАСЫВАЙТЕ РУКОВОДСТВО

Только для бытового использования

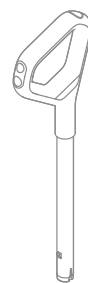
RU Важные меры предосторожности

Мы, компания Dreame Trading (Tianjin) Co., Ltd., настоящим заявляем, что данное изделие соответствует требованиям всех действующих директив ЕС и европейских стандартов со всеми изменениями и дополнениями. Полный текст декларации о соответствии нормативным требованиям ЕС доступен по адресу: <https://global.dreameotech.com>

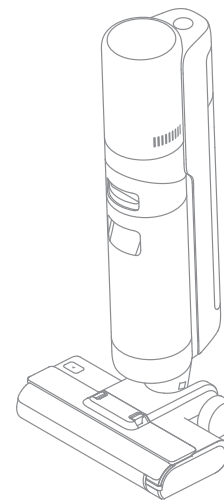
Подробное электронное руководство см. по адресу <https://global.dreameotech.com/pages/user-manuals-and-faqs>

Обзор изделия

Комплектация



Ручка



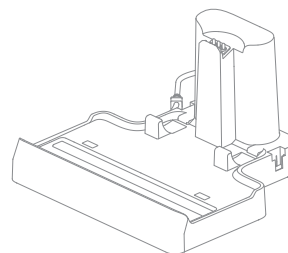
Корпус



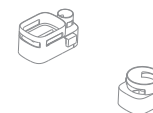
Сменный фильтр



Чистящая щетка



База для зарядки

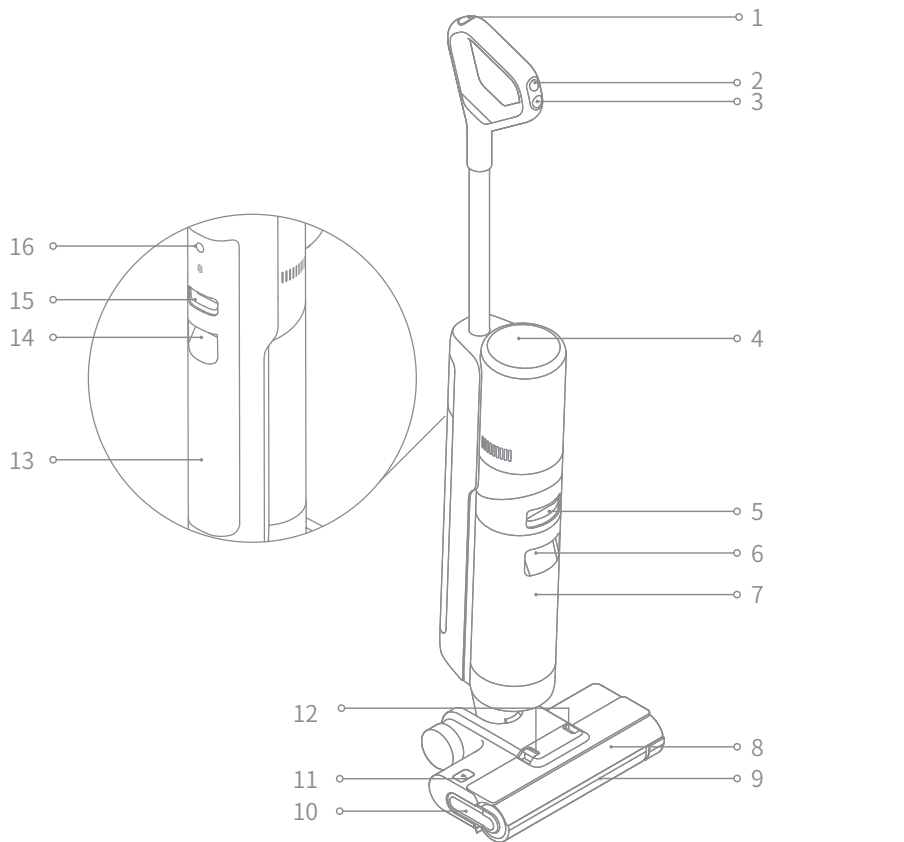


Хранилище



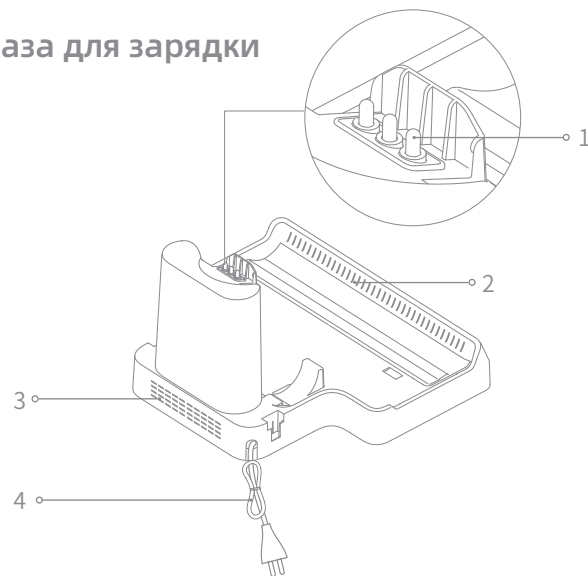
Запасная роликовая
щетка

Сухая и влажная уборка



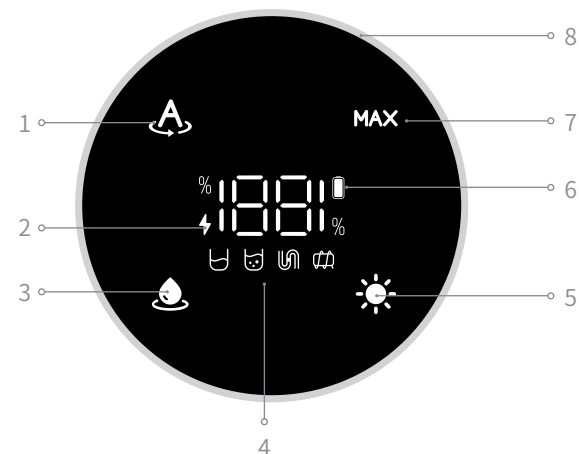
- | | | |
|--|---|--|
| 1. Кнопка самоочистки | 11. Кнопка отсоединения роликовой щетки | |
| 2. Переключатель режимов | 12. Кнопки открытия крышки роликовой щетки | |
| 3. Переключатель | 13. Бак с чистой водой | |
| 4. Дисплей | 14. Ручка очистки бака с чистой водой | |
| 5. Кнопка отсоединения бака с отработанной водой | 15. Кнопка очистки бака с чистой водой | |
| 6. Ручка бака с отработанной водой | 16. Кнопка голосовых напоминаний | |
| 7. Бак с отработанной водой | Нажмите и удерживайте в течение 3 секунд, чтобы перейти в языковые настройки. Нажмите, чтобы переключить язык. Нажмите и удерживайте, чтобы подтвердить выбор | |
| 8. Крышка роликовой щетки | | |
| 9. Роликовая щетка | | |
| 10. Ручка роликовой щетки | | |

База для зарядки



1. Зарядные контакты
2. Выходное отверстие для воздушной просушки
3. Входное отверстие для воздушной просушки
4. Кабель питания

Дисплей

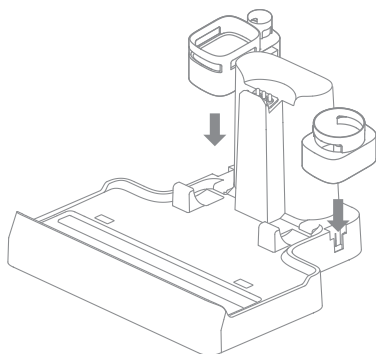


- | | | |
|---|-------------------------------------|---|
| 1. Автоматический режим | 4. Сообщения об ошибках | 5. Режим просушки |
| 2. Зарядный индикатор | В баке недостаточно чистой воды | 6. Индикатор низкого заряда батареи |
| • Мигает оранжевым: Уровень зарядки аккумулятора ≤ 20 % | Бак с отработанной водой переполнен | 7. Режим турбо |
| • Мигает зеленым: Уровень зарядки аккумулятора > 20 % | Трубка засорилась | 8. Индикатор концентрации пыли |
| 3. Режим всасывание | Роликовая щетка заблокирована | Цвет кривой изменяется вслед за уровнем скопившейся пыли в реальном времени |

Примечание: Если прибор работает некорректно, на дисплее отобразится сообщение об ошибке. См. таблицу устранения неисправностей для поиска решения.

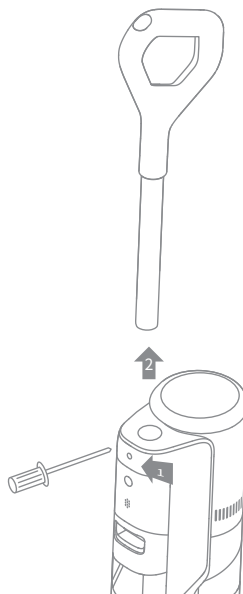
Установка хранилища

Установите хранилище на базе для зарядки как показано на схеме.



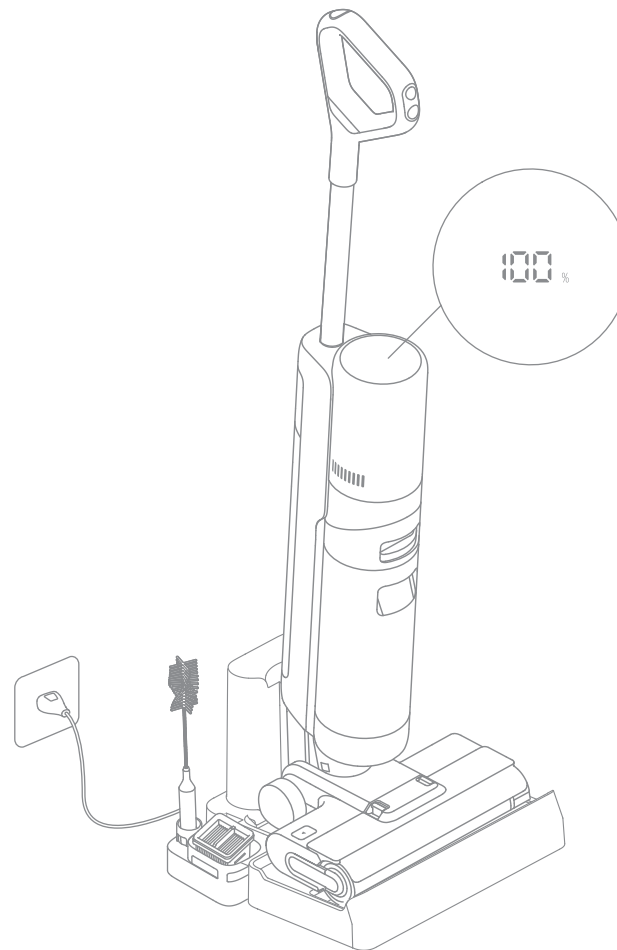
Установка ручки

Вставьте конец ручки в порт в верхней части пылесоса вертикально согласно инструкциям, пока не раздастся щелчок об окончании установки.



Примечание: Чтобы снять ручку, нажмите на контакт в отверстии задней части пылесоса и одновременно потяните ручку вверх.

1. Установите базу для зарядки на горизонтальной поверхности перпендикулярно стене и подключите ее к источнику питания. Перед тем как начать использовать прибор, полностью зарядите его.
2. Установите прибор на базу для зарядки. Прибор перейдет в режим подзарядки, когда появится голосовая команда «Начать подзарядку». В процессе подзарядки цифра на дисплее показывает текущий уровень заряда аккумулятора в процентах. Когда цифра достигнет 100, аккумулятор будет полностью заряжен.



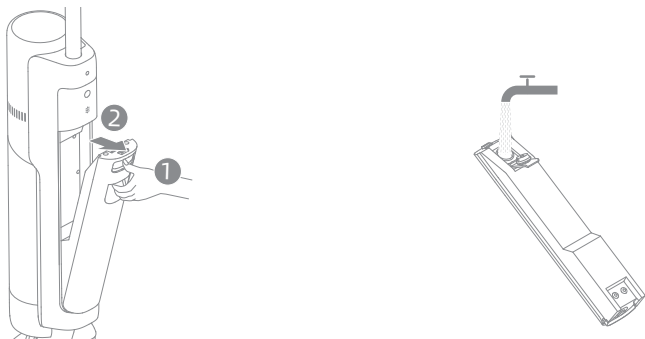
Примечание:

- Если в течение 10 минут после полной зарядки пылесос не используется, он перейдет в спящий режим. Чтобы использовать прибор, перезагрузите его.
- С целью увеличения срока службы аккумулятор автоматически охлаждается в течение часа после длительного использования прибора.

Порядок использования

Заполните бак с чистой водой


Нажмите на кнопку отсоединения бака с чистой водой, чтобы извлечь бак. Откройте крышку и наполните бак чистой водой. Повторно установите бак с чистой водой на место так, чтобы раздался щелчок.

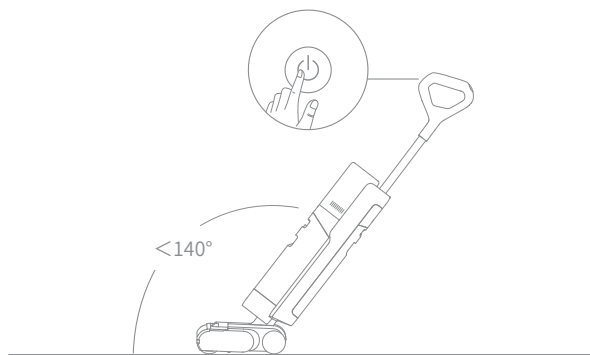


Примечание:

- Для повышения качества очистки рекомендуется добавить 10 мл чистящего средства в колпачке в наполненный бак с чистой водой, а затем аккуратно его встряхнуть равномерными движениями.
- Запрещается добавлять жидкости и чистящие средства, не одобренные к применению. Чистящее средство доступно в официальном онлайн-магазине.

Начать уборку

Слегка наступите на крышку щетки и откиньте устройство назад.. Нажмите переключатель питания , чтобы начать работу.



Примечание :

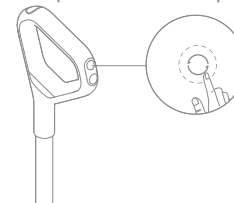
- Запрещается использовать для уборки пенящиеся жидкости.
- Если во время работы прибор перейдет в вертикальное положение, текущая задача будет приостановлена.
- Прибор подходит для очистки обычных полов, мрамора, кафельной плитки и других твердых поверхностей.

Порядок использования

- Не наклоняйте прибор назад на угол более 140° для предотвращения протечки воды.
- Во время работы прибора запрещается его поднимать, перемещать, наклонять и размещать на поверхности горизонтально. Это может привести к попаданию отработанной воды в двигатель.

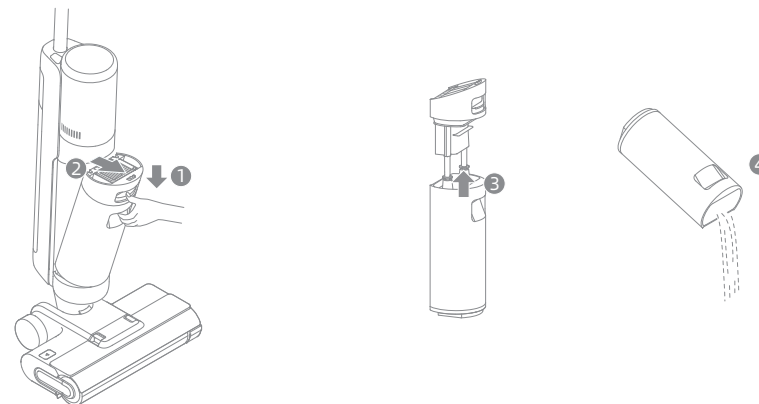
Переключение режимов

По умолчанию устройство включается в автоматическом режиме. При необходимости вы можете переключиться в режим всасывания или турбо-режим.




Удалите содержимое бака с отработанной водой

Нажмите на кнопку отсоединения бака с чистой водой, чтобы извлечь бак. Снимите крышку и вылейте отработанную воду. Закройте крышку бака и повторно установите бак на место, прежде чем использовать прибор.




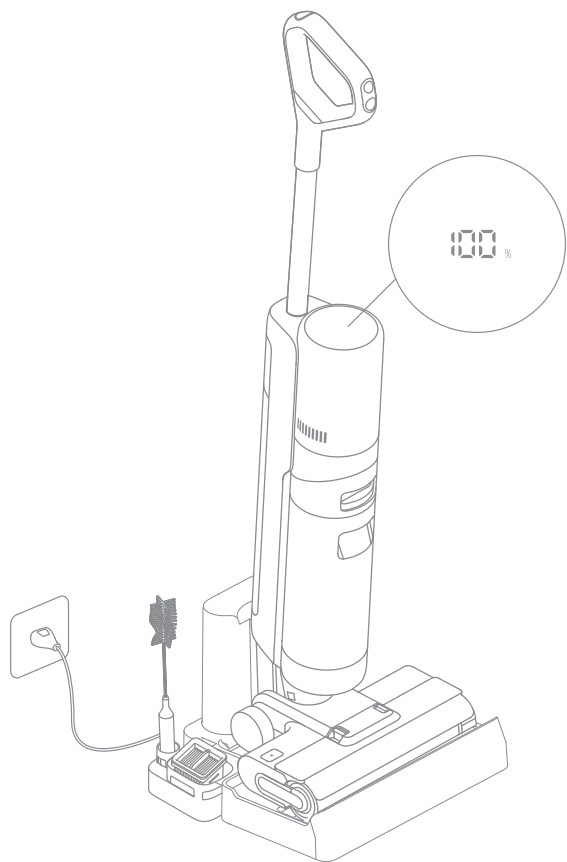
Самоочистка в одно нажатие

1. После того как прибор завершит задачу уборки, разместите его обратно на базу и убедитесь, что в баке с чистой водой достаточно жидкости для самоочистки.
2. Коснитесь кнопки самоочистки в верхней части ручки, чтобы начать или завершить самоочистку.
3. Удалите содержимое бака с отработанной водой после завершения самоочистки и начала режима просушки. Нажмите на кнопку , чтобы выйти из режима просушки.

Примечание. Функция самоочистки может быть включена, только если прибор заряжается и уровень заряда аккумулятора составляет более 20%.

Режим просушки

1. Нажмите и удерживайте кнопку самоочистки  в течение 3 секунд, чтобы активировать режим просушки.
2. После окончания просушки прибор будет заряжен.



Примечание.

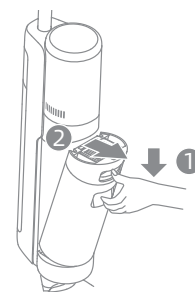
- После завершения самоочистки немедленно очистите бак с отработанной водой. Если на базе для зарядки останутся пятна, очистите ее.
- В случае очистки роликовой щетки вручную тщательно просушите ее в естественных условиях или просушите несколько раз в режиме просушки. Это улучшит качество просушки.

Инструкции:

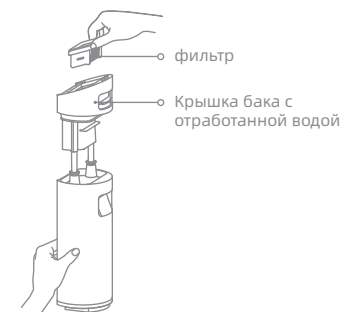
- Перед ремонтом выключите прибор. Не нажимайте переключатель.
- По необходимости может потребоваться заменить компоненты. Используйте компоненты, изготовленные на заводе-изготовителе во избежание повреждения изделия из-за несовместимости.
- Если прибор не используется продолжительное время, полностью зарядите его, отключите адаптер от источника питания и оставьте пылесос на хранение в прохладном месте с низкой влажностью вдали от прямых солнечных лучей. Во избежание глубокой разрядки аккумулятора проводите зарядку прибора минимум раз в 3 месяца.

Очистка бака с отработанной водой и фильтра

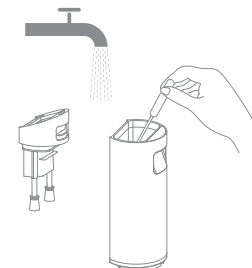
1. Нажмите на кнопку отсоединения бака с отработанной водой и извлеките бак.



2. Извлеките фильтр из крышки бака с отработанной водой. Снимите крышку бака и вылейте отработанную воду.



3. Ополосните бак с отработанной водой и крышку чистой водой. Очистите внутренние стенки бака с помощью чистящей щетки в комплекте.



4. Закройте крышку бака с отработанной водой, повторно установите бак на место так, чтобы раздался щелчок.

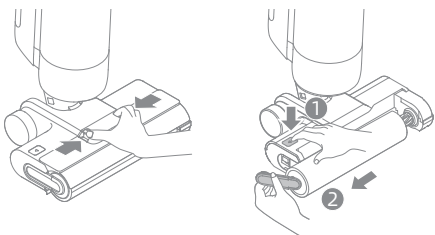


Примечание.

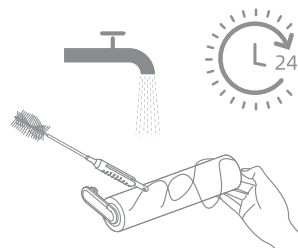
- Если фильтр загрязнился, ополосните его чистой водой и полностью просушите, прежде чем продолжить использовать.
- Рекомендуется выполнять замену фильтра каждые 3-6 месяцев.

Очистка модуля щетки

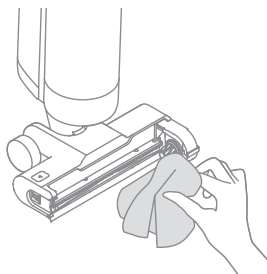
1. Сначала нажмите на кнопку открытия крышки роликовой щетки внутрь с обеих сторон, чтобы снять крышку. Затем нажмите на кнопку отсоединения роликовой щетки. Когда выпадет ручка роликовой щетки, потяните ее, чтобы извлечь щетку.



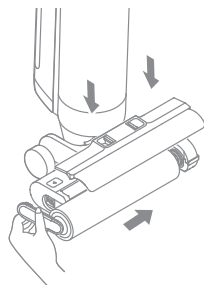
2. Удалите волосы и загрязнения, запутавшиеся в роликовой щетке, с помощью чистящей щетки в комплекте. Промойте роликовую щетку чистой водой и тщательно просушите ее естественным способом либо с помощью режима просушки несколько раз.



3. Протрите всасывающее отверстие с помощью сухого полотенца или влажной салфетки. Запрещается промывать модуль щетки водой.



4. После очистки роликовой щетки повторно установите щетку и крышку на место так, чтобы раздался щелчок.



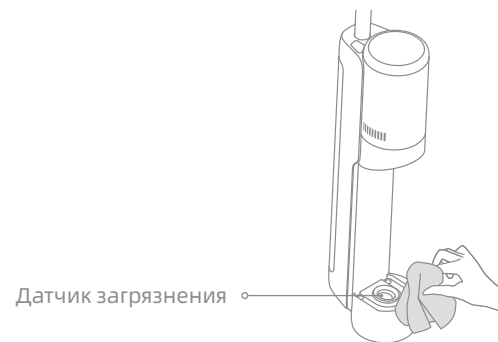
Примечание.

- Выполняйте очистку согласно требованию. Рекомендуется поочередно использовать две роликовые щетки в комплекте.
- Рекомендуется выполнять замену роликовой щетки каждые 3-6 месяцев.

Очистка трубки и датчика загрязнения

Извлеките бак с отработанной водой, протрите трубку и датчик загрязнения влажным полотенцем перед использованием.

Примечание. Запрещается промывать трубку и датчик загрязнения.



Устранение неисправностей

В случае возникновения ошибки прибор перестанет работать. Для устранения неисправностей см. таблицу ниже. Если проблема не будет устранена, свяжитесь со службой поддержки.

Ошибка	Возможная причина	Решение
Прибор не работает	Прибор разрядился или уровень заряда низкий	Полностью зарядите аккумулятор перед использованием
	Прибор находится в вертикальном положении	Наклоните прибор назад
	Из-за засорения активирован режим защиты от перегрева	Удалите блокирующие предметы и подождите, пока температура вернется в норму
	Бак с отработанной водой переполнен	Очистите бак с отработанной водой
	Детали не устанавливаются на месте	Убедитесь, что все детали правильно установлены
Прибор заряжается медленно	Температура аккумулятора слишком высокая или слишком низкая	Подождите, пока температура аккумулятора вернется к нормальному значению
Сила всасывания прибора слабая	Фильтр засорился	Очистка фильтра
	Во входное отверстие для всасывания или трубку попал посторонний предмет	Очистите трубку и всасывающее отверстие
Двигатель издает странный шум	В баке с отработанной водой скопилось слишком много жидкости	Очистите бак с отработанной водой
	Основное отверстие всасывания засорилось	Удалите предметы, блокирующие основное отверстие всасывания
Индикатор концентрации загрязнений постоянно горит красным	Необходимо очистить датчик загрязнения	Датчик загрязнения находится в трубке. Следуйте инструкциям по очистке трубки
	Концентрация чистящего средства слишком высокая	Разбавьте чистящее средство водой в рекомендованной пропорции
Индикатор концентрации загрязнений постоянно горит красным	Из-за стороннего чистящего средства образовалось много пены	Используйте только одобренное чистящее средство

Устранение неисправностей

Во время зарядки индикатор статуса аккумулятора не загорается	Кабель базы для зарядки не вставлен в электрическую розетку	Убедитесь, что кабель базы для зарядки подключен
	Прибор некорректно установлен на базе для зарядки	Убедитесь, что прибор корректно установлен на базе для зарядки
Из прибора не появляется вода	Бак с чистой водой установлен некорректно либо бак пустой	Повторно установите либо наполните бак с чистой водой
	Для намочания роликовой щетки требуется 30 секунд	Включите прибор и проверьте повторно через 30 секунд
Вода вытекает из бака для отработанной воды	Из-за удара или резкого движения вода попала в двигатель	Когда пылесос выключится, перемещайте его аккуратными движениями
	После очистки фильтр был просушен не полностью	Перед использованием тщательно просушите фильтр
Сбой самоочистки	Крупные частицы блокируют роликовую щетку	Откройте крышку роликовой щетки, проверьте и очистите ее
	Прибор некорректно установлен на базе для зарядки	Перед включением функции самоочистки убедитесь, что прибор заряжается
	Функция самоочистки не может быть включена, если уровень заряда аккумулятора ниже 20%	Функция самоочистки может быть включена, только если пылесос заряжен и уровень заряда аккумулятора составляет более 20%
	Бак с отработанной водой установлен некорректно или бак переполнен	Повторно установите бак с отработанной водой или вылейте содержимое
	Бак с чистой водой установлен некорректно либо бак пустой	Повторно установите или наполните бак с чистой водой
Плохое качество или странный звук при просушке	Входное и выходное отверстия для воздуха могли заблокироваться	Проверьте входное и выходное отверстия для воздуха и очистите

Для получения дополнительных услуг свяжитесь с нами по адресу aftersales@dreame.tech
<https://global.dreametech.com>

Устранение неисправностей

Если пылесос работает некорректно, на дисплее отобразится сообщение об ошибке. См. таблицу устранения неисправностей для поиска решения.

Значок ошибки	Возможная причина	Решение
	В баке недостаточно чистой воды	Наполните бак с чистой водой
	Бак с отработанной водой переполнен	Очистите бак с отработанной водой
	Роликовая щетка заблокирована	Очистите роликовую щетку с помощью чистящей щетки в комплекте
	Роликовая щетка не установлена	Установите роликовую щетку
	Трубка засорилась	Проверьте фильтр на наличие засорений. Также попробуйте очистить трубку и датчик загрязнения

Код ошибки	Возможная причина	Решение
E1-E7	Ошибка	Перезагрузите прибор, чтобы устранить неисправность. Если проблема не будет устранена, свяжитесь со службой поддержки
H1-H6		
H7	Ошибка аккумулятора	Свяжитесь со службой поддержки

Технические характеристики

Сухая и влажная уборка			
Модель	NHR30B	Время зарядки	ок. 5-6 часов
		Время просушки	1 час
Номинальное напряжение	21,6 V ===	Напряжение зарядки	27 V===
Номинальная мощность	300 W	Объем бака с отработанной водой	700 mL
		Объем бака с чистой водой	900 mL
База для зарядки			
Модель	HCBG	Номинальная мощность	130 W
Номинальная мощность	220-240 V ~ 50-60 Hz	Номинальная выходная мощность	27 V=== 0,9 A

Номинальной мощностью базы для зарядки называется мощность при одновременном включении функций просушки и подзарядки.

Извлечение и утилизация аккумулятора

Встроенный литий-ионный аккумулятор содержит опасные для окружающей среды вещества. Аккумулятор должен быть извлечен квалифицированными техническими специалистами и утилизирован в приспособленном для этого месте.

- перед утилизацией аккумулятор необходимо извлечь из прибора;
- перед извлечением аккумулятора необходимо отключить прибор от источника энергии;
- аккумулятор необходимо утилизировать безопасным способом.

Инструкция по извлечению

1. Открутите дисплей с помощью инструмента.
2. По очереди извлеките винты из крышки аккумулятора и затем откройте крышку с помощью инструмента.
3. Отсоедините провода терминалов между аккумулятором и печатной платой и извлеките аккумулятор.

МЕРЫ ПРЕДОСТОРОЖНОСТИ:

- Перед извлечением аккумулятора отключите прибор от источника питания и максимально израсходуйте заряд аккумулятора.
- Ненужные аккумуляторы необходимо утилизировать в приспособленном для этого месте.
- Запрещается оставлять изделие при высокой температуре во избежание взрывов.
- В случае повреждения аккумулятора жидкость может вытечь. При соприкосновении с жидкостью промойте место контакта водой и обратитесь за медицинской помощью.

Қауіпсіздік туралы маңызды нұсқаулар

Қолданар алдында осы нұсқаулықты мұқият оқып шығыңыз және оны кейінірек пайдалану үшін сақтаңыз.

Электр құрылғысын пайдалану кезінде әрқашан негізгі сақтық шараларын сақтау керек, соның ішінде:

ҚОЛДАНАР АЛДЫНДА БАРЛЫҚ НҰСҚАУЛАРДЫ ОҚЫП ШЫҒЫҢЫЗ (ОСЫ ҚҰРЫЛҒЫ). Ескертулер мен нұсқауларды орындамау электр тогының соғуына, өртке және/немесе ауыр жарақатқа әкелуі мүмкін.

ЕСКЕРТУ — өрт, электр тогының соғуы немесе жарақат алу қаупін азайту үшін:

Қолдану бойынша шектеулер

- Қауіпсіз пайдалануды қамтамасыз ету және қандай да бір қауіп-қатердің алдын алу үшін бұл құрылғыны 8 жасқа дейінгі балаларға, сондай-ақ физикалық, сенсорлық, интеллектуалдық кемістігі бар немесе тәжірибесі не білімі шектеулі адамдарға ата-анасының немесе қамқоршысының қарауынсыз пайдалануға болмайды. Тазалау мен техникалық қызмет көрсету жұмыстарын балалар қараусыз орындамауы тиіс.
- Пластикалық үлдір қауіпті болуы мүмкін. Тұншығу қаупін болдырмау үшін оны балалардан аулақ ұстаңыз.
- Тек үй ішінде, кілем салынбаған еденде ғана (мысалы, винил, плитка, ағаш жабын және т. б.) қолданыңыз. Бекітілмеген заттарды немесе кілемшелердің шеттерін басып кетуден сақ болыңыз. Қылшақты тоқтату салдарынан белдік мерзімінен бұрын істен шығуы мүмкін.
- Осы пайдаланушы нұсқаулығында сипатталғандай ғана қолданыңыз. Өндіруші ұсынған құралдарды ғана қолданыңыз.
- Құрылғыны оттың жанында ұстауға немесе шамадан тыс температурада пайдалануға болмайды. От немесе шамадан тыс температура жарылысқа әкелуі мүмкін.
- Өте ыстық немесе суық ортада пайдаланбаңыз (5°C/41°F төмен немесе 40°C/104°F жоғары). Құрылғыны 5°C/41°F жоғары және 40°C/104°F төмен температурада зарядтаңыз).
- Құрылғыны сұйықтыққа батырмаңыз.
- Бензин сияқты тез тұтанатын немесе жанғыш сұйықтықтарды жинау үшін пайдаланбаңыз. Тез тұтанатын заттар немесе жанғыш сұйықтықтар орналасуы мүмкін бөлмелерде пайдалануға болмайды.
- Саңылауларға ешқандай заттарды салмаңыз. Қандай-да бір саңылау бітеліп қалса, құрылғыны пайдаланбаңыз. Шаң, түк, шаш және ауа ағынына кедергі келтіретін кез келген заттарды түсірмеңіз.
- Улы заттарды (хлорлы ағартқыш, аммиак, кәріз тазартқыш және т. б.) жинамаңыз. Шыны, шегелер, бұрандалар, монеталар және т. б. сияқты қатты немесе өткір заттарды жинамаңыз.
- Құрылғыны май негізіндегі бояумен, бояу сұйылтқышымен, күйе көбелектен қорғайтын кейбір заттармен, тез жанғыш шаңмен немесе басқа жарылғыш немесе улы буға толы жабық кеңістікте пайдаланбаңыз. Темекі, сіріңке немесе ыстық күл сияқты жанатын немесе түтенетін заттарды жинамаңыз.
- Сүзгілері орнатылмаған құрылғыны пайдаланбаңыз.
- Шаш, бос киім, саусақтар мен дененің барлық бөліктерін құрылғының тесіктері мен қозғалатын бөліктерінен және оның керек-жарақтарынан алыс ұстаңыз.
- Құрылғыны пайдаланған кезде жерге қосатын кабельдерді алыс ұстаңыз. Құрылғы қуат сымына ілінсе, қауіпті жағдай орын алуы мүмкін.
- Баспалдақты тазалаған кезде өте сақ болыңыз.

Қауіпсіздік туралы маңызды нұсқаулар

Техникалық қызмет көрсету және сақтау

- Байқаусызда іске қосылудың алдын алыңыз. Құрылғыны ұстамас немесе оны жылжытпас бұрын, ажыратып-қосқыштың өшірулі тұрғанына көз жеткізіңіз. Құрылғыны саусағыңызды ажыратып-қосқышта ұстап жылжыту немесе құрылғыны қосу апатқа әкелуі мүмкін.
- Құрылғының көлденең бетке орнатылғанына көз жеткізіңіз. Егер құрылғы қылшақты білікшемен жабдықталған болса және тұтқа тігінен орнатылмаған болса, құрылғыны бір күйде пайдаланбаңыз. Құрылғыны қатып қалуы мүмкін жерлерде сақтамаңыз.
- Құрылғы пайдаланылмаған кезде, оны тазаламас бұрын, техникалық қызмет көрсетпес бұрын және жылжымалы қылшаққа қоспас немесе одан ажыратпас бұрын құрылғыны өшіріп, қуат көзінен ажыратыңыз.
- Зақымдалған немесе өзгерістер енгізілген құрылғыны пайдаланбаңыз. Зақымдалған немесе өзгерістер енгізілген құрылғы күштеген жерден шалыс жұмыс істеп, салдарынан өрт, жарылыс немесе жарақат алу қаупі орын алуы мүмкін.
- Пайдалану және күтім жасау нұсқауларында көрсетілген жағдайларды қоспағанда, құрылғыға өзгерістер енгізіп, жөндеу жұмыстарын жасауға тыйым салынады.
- Зақымдалған құралдары бар құрылғыны пайдаланбаңыз (мысалы, зарядтау құрылғысы, қуат сымы және т. б.). Құлап қалған, зақымдалған, сыртта қалған, суға түсіп кеткен немесе дұрыс жұмыс істемейтін құрылғыны немесе құралды пайдалануға тыйым салынады. Оларды уәкілетті қызмет көрсету орталығында жөндеңіз.
- Техникалық қызмет көрсету жұмыстарын тек бірдей қосалқы бөлшектерді қолдана отырып, білікті жөндеу маманы жүргізуі тиіс. Бұл құрылғының қауіпсіздігін қамтамасыз етеді.

Батарея және зарядтау

- Құрылғыны қайта зарядтау үшін осы құрылғымен бірге жеткізілген зарядтау құрылғысын ғана пайдаланыңыз. Тек HCBG зарядтау құрылғысымен пайдаланыңыз.
- Зарядтау бойынша барлық нұсқауларды орындаңыз және құрылғыны батареяда көрсетілген температура диапазонынан тыс зарядтамаңыз, себебі бұл өрт қаупін арттырады.
- Зарядтау құрылғысы кептіру функциясымен жабдықталған және тек осы құрылғының қылшағын кептіруге жарамды.
- Зарядтау құрылғысының кабелін қыздырылған беттерден алыс ұстаңыз. Зарядтау құрылғысының ашасын немесе құрылғыны су қолмен ұстамаңыз. Құрылғыны желіден ажырату үшін кабельді емес, зарядтау құрылғысының ашасын ұстаңыз.
- Зарядтау құрылғысын кабельден ұстап тартуға немесе жылжытуға, кабельді тұтқа ретінде пайдалануға, кабельдің үстінен есікті жабуға немесе кабельді өткір жиектердің немесе бұрыштардың айналасынан өткізіп тартуға тыйым салынады.
- Бұл құрылғыға тек білікті маман немесе сатудан кейінгі қызмет көрсету қызметі ауыстыра алатын батареялар орнатылған.
- Литий-ионды батареяда қоршаған ортаға қауіпті заттар бар. Құрылғыны қоқысқа тастамас бұрын алдымен батареяны шығарып алыңыз, содан кейін оны тастаңыз немесе жергілікті заңдарға және ол қолданылатын елдің немесе аймақтың ережелеріне сәйкес қайта өңдеңіз.
- Батареяны алып тастаған кезде құрылғы қуат көзінен ажыратылуы керек. Батареяларды балалардың қолы жетпейтін жерде сақтаңыз. Батареяларды ауызға салуға болмайды. Жұтып қойған жағдайда дәрігерге немесе жергілікті токсикологиялық қызметке хабарласыңыз.
- Жағымсыз жағдайда сұйықтығы ағып кетуі мүмкін батареяны ешқашан ұстамаңыз. Кездейсоқ ұстап қойған кезде қолыңызды сумен шайыңыз. Сұйықтық көзге тиіп кетсе дереу медициналық көмекке жүгініңіз. Батареядан ағып жатқан сұйықтық тітіркенуді немесе күйікті тудыруы мүмкін.

Қауіпсіздік туралы маңызды нұсқаулар

Таңбалар



Пайдаланушы нұсқаулығын оқыңыз

Уақыт кідірісі бар миниатюралық балқымалы ендіріме, бұл жерде T 3,15A таңбасы тоқ-уақыттық сипаттаманы білдіреді



Алынбалы қуат көзі



Пайдаланушы нұсқаулығын оқыңыз



WEEE (Электр және электронды жабдықтың өндіріс қалдықтарын кәдеге жарату) туралы ақпарат

Бұл таңба салынған барлық өнімдер электр және электронды жабдықтардың қалдықтары болып табылады (2012/19/EU директивасына сәйкес – WEEE), оларды сұрыпталмаған тұрмыстық қалдықтармен араластыруға болмайды. Оның орнына, сіз пайдаланылған жабдықты үкімет немесе жергілікті билік тағайындаған пайдаланылған электр және электронды жабдықты кәдеге жарату үшін арнайы белгіленген жинау пунктіне тапсыру арқылы адам денсаулығы мен қоршаған ортаны қорғауыңыз керек. Дұрыс кәдеге жарату және қайта өңдеу қоршаған ортаға және адам денсаулығына кері әсер тигізудің алдын алуға көмектеседі. Орналасуы, сондай-ақ осындай жинау пункттерінің ережелері мен шарттары туралы қосымша ақпарат алу үшін орнатушыға немесе жергілікті билік органдарына хабарласыңыз.

ОСЫ НҰСҚАУЛАРДЫ САҚТАҢЫ

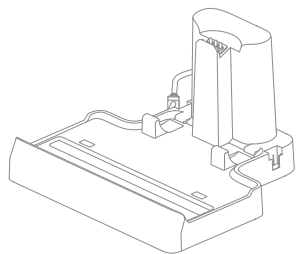
Тек үйде пайдалануға арналған

Біз, Dream Trading (Tianjin) Co., Ltd., осы арқылы аталған жабдық қолданыстағы директиваларға, еуропалық нормалар мен түзетулерге сәйкес келетінін мәлімдейміз. EО сәйкестік декларациясының толық мәтінімен келесі мекенжай бойынша интернетте танысуға болады: <https://global.dreametech.com>

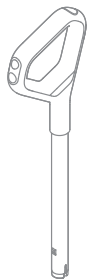
Электрондық нұсқаулықтың толық нұсқасымен <https://global.dreametech.com/pages/user-manuals-and-faqs> сілтемесі бойынша өтіп таныса аласыз

Өнімге шолу

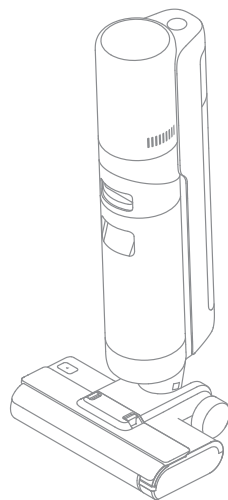
Тауардың жөнелтпе құжаты



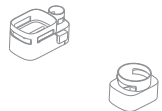
Зарядтау құрылғысы



Тұтқа



Негізгі корпус



Сақтау жәшігі



Тазалау қылшағы



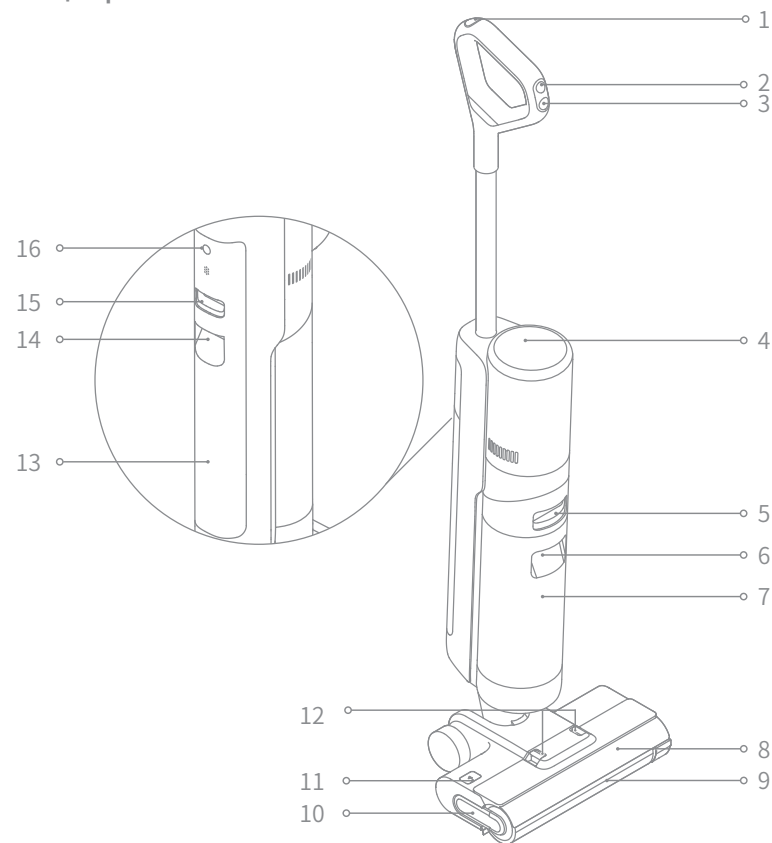
Қосалқы қылшақты білікше



Ауыстырылатын сүзгі

Өнімге шолу

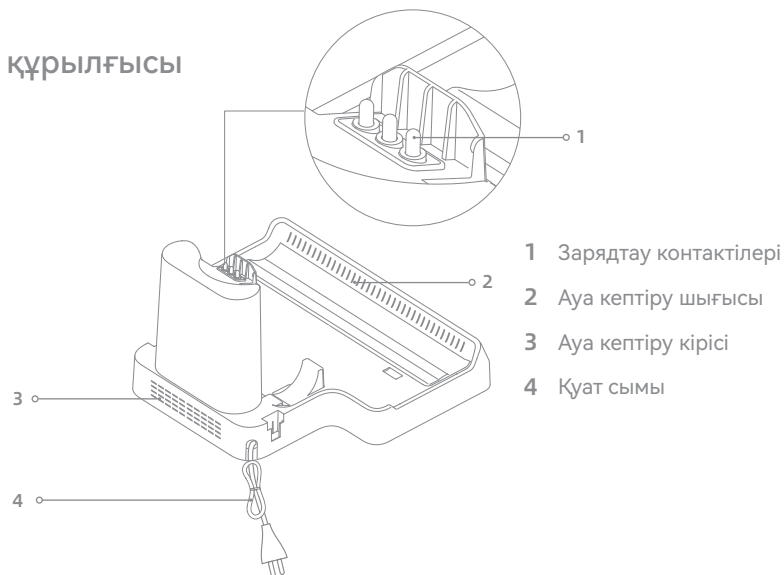
Шаңсорғыш



- | | | |
|--|--|--|
| 1. Өзін-өзі тазалау түймесі | 8. Қылшақты білікше қақпағы | 15. Таза су сауытын босату түймесі |
| 2. Режимдер ауыстырып қосқышы | 9. Қылшақты білікше | 16. Дауыстық кеңес түймесі |
| 3. Қуатты ажыратқыш | 10. Қылшақты білікше тұтқасы | • Дауыстық кеңесті белсендіру немесе дыбыс деңгейін реттеу үшін басып қалыңыз |
| 4. Дисплей экраны | 11. Қылшақты білікшені босату түймесі | • Тіл параметрлеріне қол жеткізу үшін 3 секунд басып тұрыңыз. Тілдерді ауыстыру үшін басыңыз. Таңдауды растау үшін басып тұрыңыз |
| 5. Пайдаланылған су сауытын босату түймесі | 12. Қылшақты білікше қақпағын босату түймесі | |
| 6. Пайдаланылған су сауыты тұтқасы | 13. Таза су сауыты | |
| 7. Пайдаланылған су сауыты | 14. Таза су сауыты тұтқасы | |

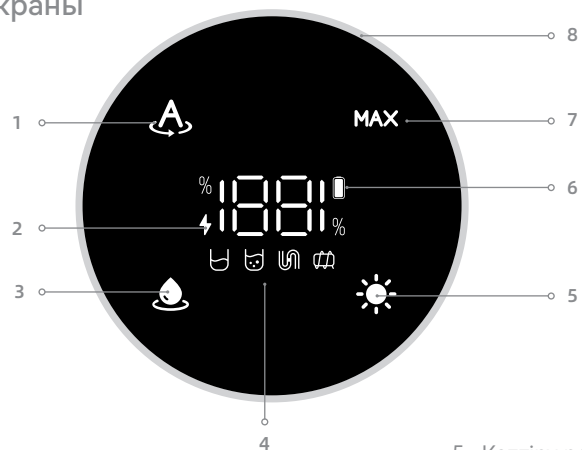
Өнімге шолу

Зарядтау құрылғысы



- 1 Зарядтау контактілері
- 2 Ауа кептіру шығысы
- 3 Ауа кептіру кірісі
- 4 Қуат сымы

Дисплей экраны



- 1. Автоматты режим
- 2. Зарядтау индикаторы
 - Әлсіз қызғылт сары: Батарея деңгейі ≤ 20%
 - Әлсіз жасыл: Батарея деңгейі > 20%
- 3. Сору режимі

- 4. Қате туралы хабарлар
 - ☹ Таза су сауытында су жеткіліксіз
 - ☹ Пайдаланылған су сауыты толы
 - ☹ Түтік бітеліп қалды
 - ☹ Қылшақты білікше кептеліп қалды

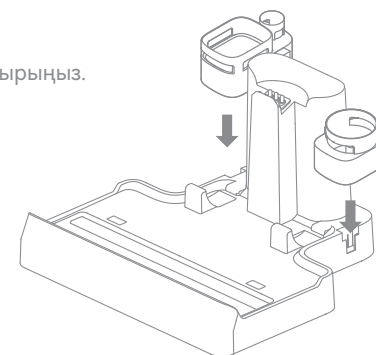
- 5. Кептіру режимі
- 6. Төмен батарея индикаторы
 - Тұтас қызғылт сары: Батарея деңгейі ≤ 20%
 - Тұтас жасыл: Батарея деңгейі > 20%
- 7. Турбо режим
- 8. Шаң концентрациясының көрсеткіші
 - Қысықтың түсі нақты уақыттағы шаң мөлшеріне байланысты өзгереді.

Ескерту: Құрылғы дұрыс жұмыс істемесе, дисплей экранында қате туралы хабар пайда болады. Мәселені шешу үшін қателер туралы кеңестер мен шешімдер кестесін қараңыз.

Орнату

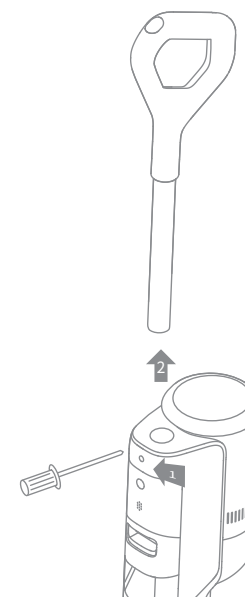
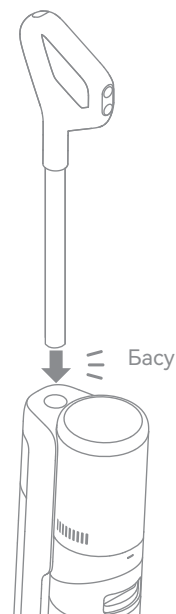
Сақтау қорабын орнату

Сақтау қорабын зарядтау құрылғысына қондырыңыз.



Тұтқаны орнату

Тұтқаның ұшын нұсқау бойынша құрылғының жоғарғы жағындағы ойындыға сырт еткен дыбыс шыққанша тігінен салыңыз.

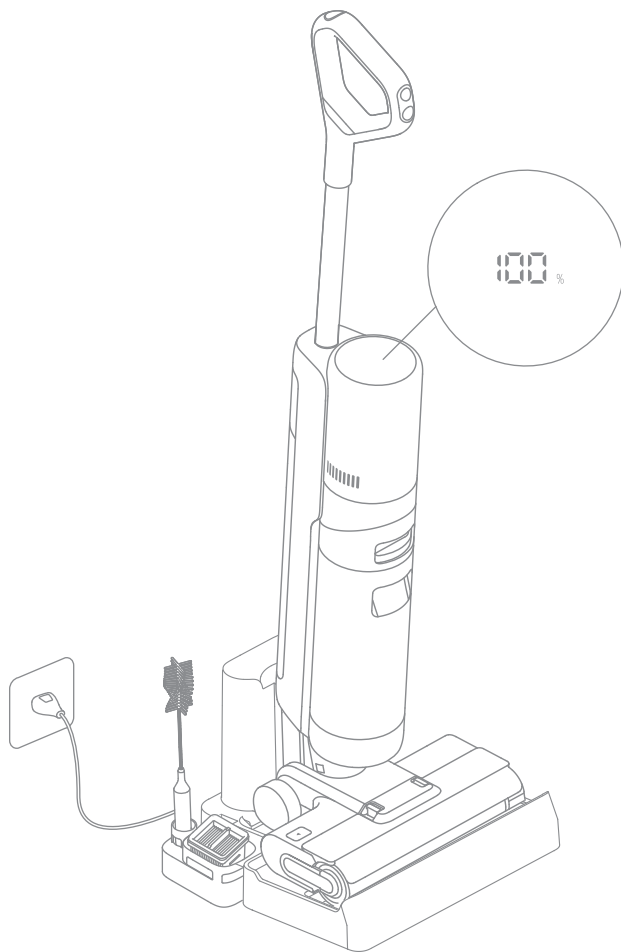


Ескерту:

Бөлшектеу үшін құрылғының артқы жағындағы тесікке қатты затты сырғытып, контактілерді басыңыз және дәл сол кезде тұтқаны жоғары қарай тартыңыз.

Зарядтау

1. Зарядтау құрылғысын қабырғаға жақын тегіс жерге қойып, қуат көзіне қосыңыз. Құрылғыны бірінші рет қолданар алдында толығымен зарядтаңыз.
2. Құрылғыны зарядтау құрылғысына орнатыңыз. Дисплейде «Зарядтауды бастау» дауыстық кеңесі пайда болған кезде, құрылғы зарядтау режимін қосады. Зарядтау кезінде дисплей экранындағы сан ағымдағы батарея деңгейін пайызбен көрсетеді. 100 саны көрсетілгенде, батарея толығымен зарядталады.



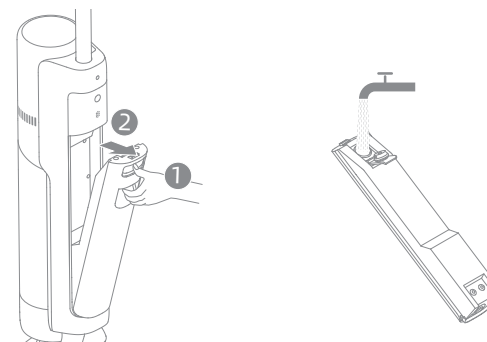
Ескерту:

- Толық зарядталғаннан кейін 10 минут ішінде жұмыс істемейтін шаңсорғыш ұйқы режиміне өтеді. Құрылғыны пайдалану қажет болса, оны қайта іске қосыңыз.
- Батареяның қызмет ету мерзімін ұзарту үшін құрылғыны ұзақ уақыт қолданғаннан кейін батарея шамамен бір сағат бойы автоматты түрде салқындайды.

Пайдалану жолы

Таза су сауытын толтыру

Сауытты шығару үшін таза су сауытын бастау түймесін басып, сауытты шығарып алыңыз. Таза су сауытының қақпағын алып тастап, сауытты таза сумен толтырыңыз. Таза су сауытын орнатып, оның орнына бекітілгеніне көз жеткізіңіз.

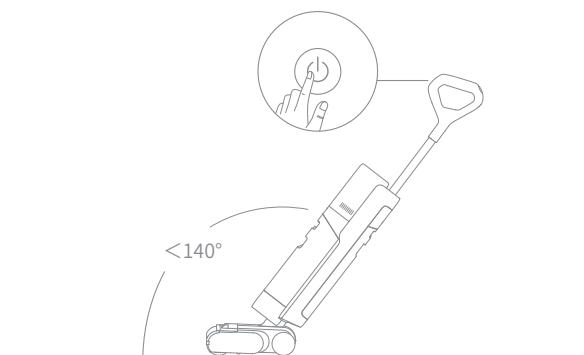


Ескерту:

- Жақсылап тазалау үшін бөтелке қақпағын пайдаланып 10 мл жуғыш затты толы таза су сауытына құйып, қолданар алдында ақырын және біркелкі шайқауға кеңес береміз.
- Ресми түрде мақұлданған тазартқыштардан басқа сұйықтықты қоспаңыз. Тазартқышты ресми интернет-дүкеннен сатып алуға болады.

Тазалауды бастау

Қылшақ қақпағын ақырын басып, құрылғыны артқа шалқайтыңыз. Пайдалануды бастау үшін қуатты ажыратқышты  басыңыз

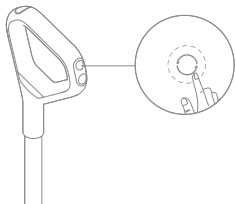


Ескерту:

- Көпіретін сұйықтықтарды шаңсорғышпен тазаламаңыз.
- Егер жұмыс кезінде құрылғы тік күйде болса, ағымдағы жұмыс тоқтатылады.
- Құрылғы еденді, мәрмәрді, плиткаларды және басқа қатты беттерді жууға жарамды.
- Құрылғыдан судың ағып кетуіне жол бермеу үшін құрылғыны 140°-тан артық артқа шалқайтпаңыз.
- Құрылғы жұмыс істеп тұрған кезде оны жерден көтермеңіз, жылжитпаңыз, еңкейтпеңіз немесе тегіс күйге қоймаңыз. Кері жағдайда пайдаланылған су қозғалтқышқа ағып кетуі мүмкін.

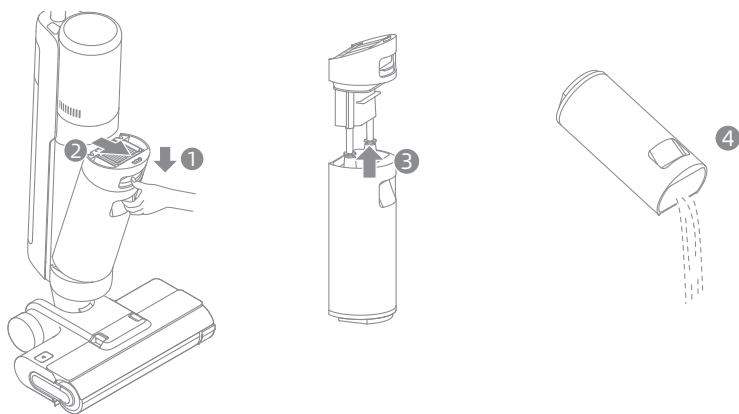
Режимдерді ауыстыру

Құрылғы әдепкі бойынша автоматты режимде қосылады. Қажет болса, сору режиміне немесе турбо режиміне ауысуға болады.



Пайдаланылған су сауытын босату

Сауытты шығарып алу үшін пайдаланылған су сауытын босату түймесін басыңыз. Сауыттың қақпағын шешіп алыңыз және пайдаланылған суды төгіңіз. Сауыттың қақпағын жабыңыз және қолдану алдында сауытты қайта орнатыңыз.



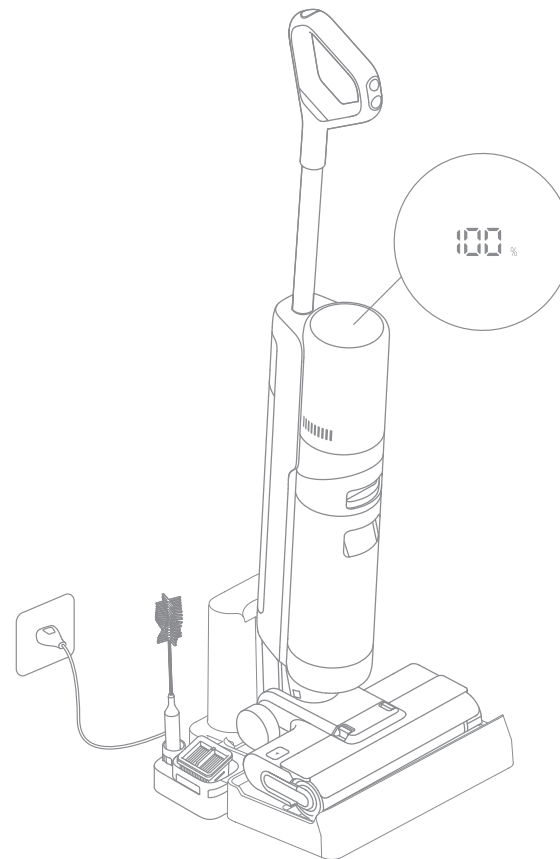
Бір рет басу арқылы өзін-өзі тазалау

1. Тазалау аяқталғаннан кейін құрылғыны зарядтау құрылғысына қайта орнатыңыз. Таза су сауытындағы су өзін-өзі тазалау үшін жеткілікті екеніне көз жеткізіңіз.
2. Тұтқаның жоғарғы жағындағы өзін-өзі тазалау түймесін басып қалыңыз, өзін-өзі тазалау шамы жанып, құрылғы өзін-өзі тазалай бастайды.
3. Өзін-өзі тазалау аяқталғаннан кейін және кептіру режимін қосқаннан кейін пайдаланылған су сауытын босатыңыз. Кептіру режимінен шығу үшін түймесін басыңыз.

Ескерту: Өзін-өзі тазалау функциясын құрылғы зарядталып, батарея деңгейі 20%-дан артық болған жағдайда ғана қосуға болады.

Кептіру режимі

1. Кептіру режимін қосу үшін өзін-өзі тазалау түймесін 3 секунд басып тұрыңыз.
2. Кептіру аяқталғаннан кейін құрылғы зарядталады.



Ескерту:

- Өзін-өзі тазалау аяқталғаннан кейін құрылғыда қандай да бір дақтар қалып қойса, зарядтау құрылғысын тазалаңыз.
- Қылшақты білікшені қолмен тазалау үшін оны ауамен әбден кептіріңіз немесе жақсы кебуі үшін кептіру режимінде бірнеше рет кептіріңіз.

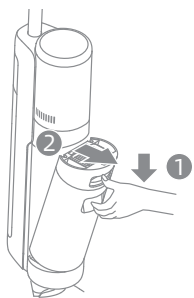
Күтім және техникалық қызмет көрсету

Кеңестер:

- Техникалық қызмет көрсетпей тұрып құрылғыны өшіріңіз. Қуатты ажыратқышқа қол тигізбеңіз.
- Қажетінше бөлшектерді ауыстырыңыз. Бөлшектер өндірушіде немесе қызмет көрсету агентінде бар бөлшектермен ауыстырылуы керек.
- Егер құрылғы ұзақ уақыт бойы пайдаланылмаса, оны толығымен зарядтаңыз, ашаны розеткадан суырып алыңыз және құрылғыны ылғалдылығы төмен, күн сәулесі түспейтін салқын жерде сақтаңыз. Батареяның қуаты шамадан тыс таусылмауы үшін құрылғыны кем дегенде 3 айда бір рет зарядтаңыз.

Пайдаланылған су сауыты мен сүзгіні тазалау

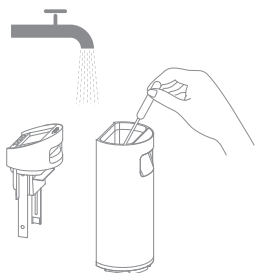
1. Сауытты шығару үшін пайдаланылған су сауытын бастау түймесін басыңыз.



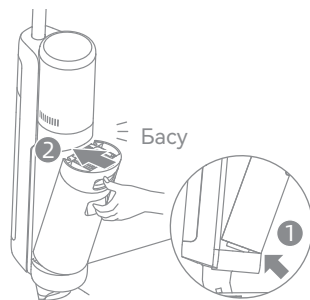
2. Пайдаланылған су сауытының қақпағынан сүзгіні шығарып алыңыз. Сауыт қақпағын алып тастап, пайдаланылған суды төгіп тастаңыз.



3. Пайдаланылған су сауыты мен сауыт қақпағын таза сумен шайыңыз. Сауытты берілген тазалау қылшағымен тазалаңыз.



4. Сүзгі мен пайдаланылған су сауытының қақпағын орнына салыңыз. Содан кейін пайдаланылған су сауытын сырт еткен дыбыс шыққанша орнына салыңыз.



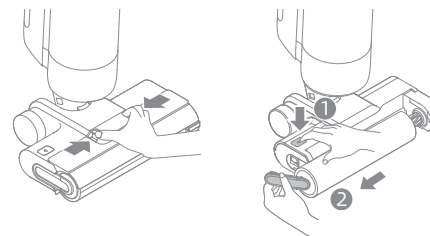
Ескерту:

- Ластанған және жууды қажет ететін сүзгіні сумен шайыңыз. Қолданар алдында ол толығымен құрғақ болуы керек.
- Сүзгіні әр 3-6 ай сайын ауыстыруға кеңес береміз.

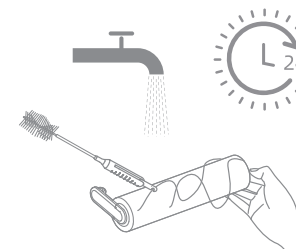
Күтім және техникалық қызмет көрсету

Білікше жинақтамасын тазалау

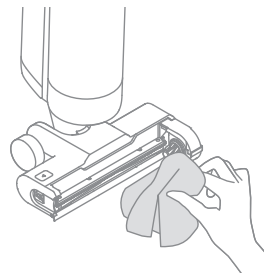
1. Қылшақты білікше қақпағын шешіп алу үшін алдымен қылшақты білікше қақпағын босату түймелерін екі жағынан ішке қарай басыңыз. Содан кейін қылшақты білікшені босату түймесін басыңыз, сонда қылшақты білікше тұтқасы сырғып шығады. Қылшақты білікшені шығарып алу үшін тұтқаны тартыңыз.



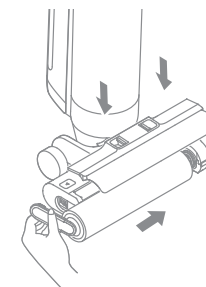
2. Қоса берілген қылшақпен қылшақты білікшені шаш пен қоқыстан тазалаңыз. Қылшақты білікшені таза сумен шайыңыз. Қылшақты білікшені ауада мұқият құрғатыңыз немесе кептіру режимін бірнеше рет қосу арқылы құрғатыңыз.



3. Сорғыш келтеқұбырды құрғақ сүлгімен немесе дымқыл шүберекпен сүртіңіз. Білікше жинақтамасын сумен шаймаңыз.



4. Қылшақты білікшені тазалағаннан кейін қылшақты білікше мен қылшақты білікше қақпағын орнына салыңыз. Олардың орнына орнатылғанын білдіретін сырт еткен дыбысты естисіз.



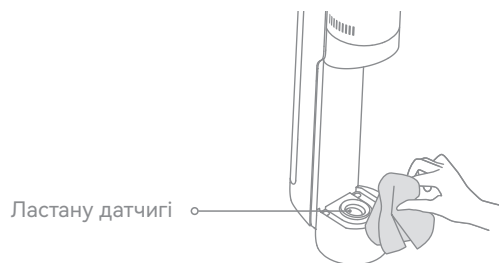
Ескерту:

- Қажет болса тазалаңыз. Қоса берілген екі қылшақты білікшені кезек-кезек пайдалану ұсынылады.
- Қылшақты білікшені әр 3-6 ай сайын ауыстыруға кеңес береміз.

Күтім және техникалық қызмет көрсету

Түтік пен ластану датчигін тазалау.

Пайдаланылған су сауытын алып тастаңыз. Қолданар алдында түтік пен ластану датчигін шүберекпен сүртіңіз.



Ақаулықтарды іздеу

Қате пайда болса құрылғы жұмысын тоқтатады. Ақаулықтарды жою үшін келесі кестені қараңыз. Мәселе шешілмесе, тұтынушыларға қызмет көрсету орталығына хабарласыңыз.





Қате	Мүмкін себеп	Шешім
Құрылғы жұмыс істемейді.	Құрылғының батарея заряды таусылған немесе батарея деңгейі төмен.	Қолданар алдында батареяны толығымен зарядтаңыз.
	Құрылғы тік күйде.	Құрылғыны артқа шалқайтыңыз.
	Қоқыс қызып кетуден қорғау режимін іске қосты.	Қоқысты тазалап, температура қалыпқа келгенше күтіңіз.
	Пайдаланылған су сауыты толы.	Пайдаланылған су сауытын босатыңыз.
Бөлшектер дұрыс орнатылмаған.	Барлық бөлшектердің дұрыс салынғанына көз жеткізіңіз.	
	Батареяның температурасы тым төмен немесе тым жоғары.	Батареяның температурасы қалыпқа келгенше күтіңіз.
Құрылғы баяу зарядталады.	Батареяның температурасы тым төмен немесе тым жоғары.	Батареяның температурасы қалыпқа келгенше күтіңіз.
Құрылғының сору қуаты төмен.	Сүзгі бітеліп қалды.	Сүзгіні тазалаңыз.
	Сорғыш келтеқұбыр немесе түтік бөгде затпен бітелген.	Түтік пен сорғыш келтеқұбырды тазалаңыз.
Қозғалтқыш біртүрлі шу шығарады.	Пайдаланылған су сауытындағы лас су тым көп.	Пайдаланылған су сауытын босатыңыз.
	Сорғыш келтеқұбыр бітелген.	Сорғыш келтеқұбырдың бітелген жерлерін тазалаңыз.
Ластану деңгейінің индикаторы тұтас қызыл түспен жанады.	Ластану датчигін тазалау қажет.	Ластану датчигі түтікте орналасқан. Түтікті тазалау бойынша нұсқауларды орындаңыз.
	Тазалау ерітіндісінің концентрациясы тым жоғары.	Тазалау ерітіндісін ұсынылған арақатынаста сумен сұйылтыңыз.
	Үшінші тараптың тазалау ерітіндісін пайдаланған кезде көп мөлшерде көбік пайда болды.	Тек ресми түрде мақұлданған тазалағыш заттарды қолданыңыз.
Зарядтау кезінде дисплей экраны жанбайды.	Зарядтау құрылғысының ашасы электр розеткасына дұрыс салынбаған.	Зарядтау құрылғысының ашасы орнына салынғанына көз жеткізіңіз.
	Құрылғы зарядтау құрылғысына дұрыс орнатылмаған.	Құрылғының зарядтау құрылғысына дұрыс орнатылғанына көз жеткізіңіз.

Құрылғыдан су шықпайды.	Таза су сауыты дұрыс орнатылмаған немесе таза су сауытындағы су жеткіліксіз.	Таза су сауытын орнына қайта салыңыз немесе су құйыңыз.
	Қылшақты білікшені сулау үшін 30 секунд қажет.	Құрылғыны қосып, 30 секундтан кейін қайта тексеріңіз.
Желдеткіштен су ағып тұр.	Соқтығысу немесе қатты серпіліс қозғалтқышқа судың түсуіне әкеледі.	Қосұлы құрылғыны ақырын алға-артқа жылжытыңыз.
	Тазаланған сүзгі толығымен құрғақ емес.	Қолданар алдында сүзгіні толығымен құрғатыңыз.
Өзін-өзі тазалау сәтсіз аяқталды.	Қылшақты білікше ірі қоқыспен бітеліп қалуы мүмкін.	Қылшақты білікшені тексеріп, тазалау үшін қылшақты білікшенің қақпағын алып тастаңыз.
	Құрылғы зарядтау құрылғысына дұрыс орнатылмаған.	Өзін-өзі тазалау функциясын қоспас бұрын, құрылғының зарядталғанына көз жеткізіңіз.
	Батарея деңгейі 20%-дан төмен болса, өзін-өзі тазалау функциясын қосу мүмкін емес.	Өзін-өзі тазалауды құрылғы зарядталып, батарея деңгейі 20%-дан артық болған жағдайда ғана қосуға болады.
	Пайдаланылған су сауыты дұрыс салынбаған немесе пайдаланылған су сауыты толы.	Пайдаланылған су сауытын қайта салыңыз немесе босатыңыз.
Кептіру тиімділігі нашар.	Таза су сауыты орнына салынбаған немесе таза су сауытындағы су жеткіліксіз.	Таза су сауытын толтырыңыз немесе қайта орнына салыңыз.
	Зарядтау құрылғысының ауа шығаратын саңылау мен ауа қабылдағыш саңылау бітеліп қалуы мүмкін.	Ауа шығаратын саңылау мен ауа қабылдағыш саңылаудың бітелмегенін тексеріп, тазалаңыз.

Қосымша қызмет алу үшін aftersales@dreame.tech электрондық поштасына хабарласыңыз.
Веб-сайт: <https://global.dreame.tech>

Қате туралы кеңестер мен шешімдер

Құрылғы дұрыс жұмыс істемесе, экран дисплейінде қате туралы хабар пайда болады. Шешіміңізді табу үшін төмендегі кестені қараңыз.

Қате белгішесі	Мүмкін себеп	Шешім
	Таза су сауытындағы су жеткіліксіз	Таза су сауытын толтырыңыз
	Пайдаланылған су сауыты толы	Пайдаланылған су сауытын босатыңыз.
	Қылшақты білікше кептеліп қалды	Қылшақты білікшені қоса берілген тазалау қылшағымен тазалаңыз.
	Түтік бітеліп қалды	Сүзгінің бітелгенін тексеріңіз. Сонымен қатар, түтік пен ластану датчигін тазалаңыз.

Қате коды	Мүмкін себеп	Шешім
E1-E7	Қате	Ақаулықтарды жою құрылғысын қайта іске қосыңыз. Мәселе шешілмесе, тұтынушыларға қызмет көрсету орталығына хабарласыңыз.
H1-H6		
H7	Батареяның қызып кетуі	Батареяның температурасы қалыпқа келгенше күтіңіз, содан кейін құрылғыны пайдалануды жалғастырыңыз.

Шаңсорғыш			
Моделі	HNR30B	Зарядтау уақыты	шамамен 5-6 сағат
		Кебу уақыты	1 сағат
Номиналды кернеу	21,6 V \pm	Зарядтау кернеуі	27 V \pm
Номиналды қуат	300 W	Пайдаланылған су сауытының сыйымдылығы	700 mL
		Таза су сауытының сыйымдылығы	900 mL
Зарядтау құрылғысы			
Моделі	HCBG	Номиналды қуат	130 W
Номиналды тұтыну қуаты	220-240 V \sim 50-60 Hz	Номиналды өндірілу қуаты	27V \pm 0,9 A

Номиналды қуат тәжірибелі мерзім ішінде, яғни құрылғының зарядтау және кептіру функциялары бір мезгілде қосылған күйде, бастапқы кезеңде толық қуатпен жұмыс жасаған кезде өлшенеді.

Батареяны кәдеге жарату және алып тастау

Кірістірілген литий-ионды батареяда қоршаған ортаға қауіпті заттар бар. Батареяны қоқысқа тастамас бұрын білікті техникалық мамандар батареяны алып тастап, оны тиісті қайта өңдеу зауытына тапсырғанына көз жеткізіңіз.

- құрылғыны қоқысқа тастамас бұрын батареяны құрылғыдан алып тастау керек;
- батареяны алып тастаған кезде құрылғы электр желісінен ажыратылуы керек;
- батареяны қауіпсіз жолмен тастау керек.

Алып тастау бойынша нұсқаулық

1. Дисплей экранын құралмен бұрап шығарып алыңыз.
2. Батарея қақпағындағы бұрандаларды кезекпен бұрап алыңыз, содан кейін қақпақты тиісті құралдармен іліп алыңыз.
3. Батареяны шығарып алу үшін батарея мен ПХБ тақтасының арасындағы клеммаларды ажыратыңыз.

САҚ БОЛЫҢЫЗ:

- Батареяны шығарып алмас бұрын, қуат көзін өшіріп, батарея қуатын барынша отырғызыңыз.
- Қажет емес батареяларды тиісті қайта өңдеу зауытында кәдеге жарату керек.
- Жарылыс қаупін болдырмау үшін қоршаған орта температурасы жоғары болмауы тиіс.
- Дұрыс пайдаланбаған жағдайда батареядағы сұйықтық ағып кетуі мүмкін. Денеңізге тиіп кеткен жағдайда сумен шайып, медициналық көмекке жүгініңіз.

คำแนะนำด้านความปลอดภัยที่สำคัญ

โปรดอ่านคู่มืออย่างละเอียดก่อนการใช้งาน และเก็บไว้เพื่อใช้ในการอ้างอิงในอนาคต
เมื่อใช้เครื่องใช้ไฟฟ้า ควรปฏิบัติตามข้อควรระวังพื้นฐานเสมอ ซึ่งรวมถึงรายการดังต่อไปนี้
อ่านคำแนะนำทั้งหมดก่อนการใช้งาน (อุปกรณ์นี้). การไม่ปฏิบัติตามคำเตือนและคำแนะนำ
อาจทำให้เกิดไฟฟ้าช็อต ไฟไหม้ และ/หรือได้รับบาดเจ็บสาหัสได้

คำเตือน - เพื่อลดความเสี่ยงในการเกิดไฟไหม้ ไฟฟ้าช็อต หรือการบาดเจ็บ:

ข้อห้ามในการใช้งาน

- ผลิตภัณฑ์นี้ไม่ควรให้ใช้งานโดยเด็กที่มีอายุต่ำกว่า 8 ปีหรือบุคคลที่มีความบกพร่องทางร่างกาย ทางประสาทสัมผัส ทางสติปัญญา หรือมีประสบการณ์หรือความรู้ที่จำกัด เว้นแต่จะได้รับการดูแลจากพ่อแม่หรือผู้ปกครองเพื่อรับรองความปลอดภัยจากการใช้งานและหลีกเลี่ยงความเสี่ยงใดๆ ห้ามให้เด็กทำความสะอาดและบำรุงรักษา เว้นแต่จะได้รับการดูแล
- ฟิล์มพลาสติกอาจเป็นอันตรายได้ ควรเก็บให้พ้นมือเด็ก เพื่อหลีกเลี่ยงอันตรายจากการมีของอุดกั้นทางเดินลมหายใจ
- ห้ามเด็กเล่นกับผลิตภัณฑ์นี้
- ใช้ภายในอาคารเท่านั้น ใช้กับพื้นผิวที่ไม่เปียก เช่น ไม้ ไม้กระเบื้อง ไม้ชนิดปิดผนึก ฯลฯ ระวังอย่าให้วิ่งทับสิ่งของที่กระจัดกระจายหรือขอบพรม แปรปรัดค้ำองอาจทำให้สายพานขัดข้องก่อนเวลาอันควร
- ใช้งานตามระดับไว้ในคู่มือผู้ใช้นั้น ใช้ชิ้นส่วนประกอบที่แนะนำโดยผู้ผลิตเท่านั้น
- ห้ามปล่อยให้ตู้ปลั๊กหรือตู้ปลั๊กกับปลั๊กไฟ หรืออยู่ในสภาพแวดล้อมที่ร้อนจัด มีเขม่า อาจทำให้เกิดการระเบิดได้
- ห้ามใช้ในสภาพแวดล้อมที่ร้อนจัดหรือเย็นจัด (ต่ำกว่า 5°C/41°F หรือสูงกว่า 40°C/104°F โปรดชาร์จอุปกรณ์ในอุณหภูมิที่สูงกว่า 5°C/41°F และต่ำกว่า 40°C/104°F)
- ห้ามนำอุปกรณ์จุ่มลงในของเหลว
- ห้ามใช้ดูดของเหลวไวไฟหรือของเหลวติดไฟ เช่น น้ำมันเบนซิน ห้ามใช้ในบริเวณที่อาจมีของเหลวไวไฟหรือของเหลวติดไฟได้
- ห้ามวางสิ่งของใด ๆ ในช่องเปิด ห้ามใช้อุปกรณ์เมื่อมีสิ่งกีดขวางอยู่ในช่องเปิด ให้กำจัดฝุ่น เศษผ้า เส้นผม หรือสิ่งใด ๆ ที่อาจขัดขวางการไหลของอากาศออก
- ห้ามดูดวัตถุที่มีพิษ (สารฟอกขาวคลอรีน แอมโมเนีย น้ำยาล้างท่อตัน ฯลฯ) ห้ามดูดของแข็งหรือของมีคม เช่น แก้ว ตะปู สกรู เหยี่ยว ฯลฯ
- ห้ามใช้อุปกรณ์นี้ในพื้นที่ปิดที่เต็มไปด้วยไอระเหยจากสีน้ำมัน ทินเนอร์ สารป้องกันมอดบางชนิด ฝุ่นไวไฟ หรือไอระเหยอื่น ๆ ที่ระเบิดได้หรือเป็นพิษ ห้ามดูดสิ่งที่กำลังลุกไหม้หรือปล่อยควันอยู่ เช่น บุหรี่ ไม้ขีดไฟ หรือซีลาร์ร้อน
- ห้ามใช้งานเมื่อไม่ได้ติดตั้งตัวกรอง
- เก็บเส้นผม ผ้า นิ้วมือ และทุกส่วนของร่างกายให้ห่างจากช่องดูดและชิ้นส่วนที่เคลื่อนไหวได้ของอุปกรณ์และอุปกรณ์เสริม
- เก็บสายไฟให้ห่างจากอุปกรณ์ขณะใช้งาน เนื่องจากอาจเกิดอันตรายได้หากอุปกรณ์วิ่งทับสายไฟ
- ใช้ความระมัดระวังเป็นพิเศษเมื่อทำความสะอาดบนบันได

คำแนะนำด้านความปลอดภัยที่สำคัญ

การบำรุงรักษาและการจัดเก็บ

- ป้องกันการสสารที่ไม่ได้ตั้งใจ ตรวจสอบสวิตช์ว่าอยู่ในตำแหน่งปิดก่อนที่จะหยิบหรือเคลื่อนย้ายอุปกรณ์ การเคลื่อนย้ายอุปกรณ์โดนวางนิ้วมือนิ้วสวิตช์ หรือเคลื่อนย้ายอุปกรณ์ที่เปิดอยู่ จะทำให้เกิดอุบัติเหตุได้
- ตรวจสอบอุปกรณ์ว่าถูกวางไว้บนพื้นราบ ห้ามใช้อุปกรณ์ในตำแหน่งเดียวกันหากมีแรงลูกลูกกลิ้งบนเครื่อง และมีมือจับไม่ได้ตั้งตรงอย่างเต็มที่ ห้ามเก็บอุปกรณ์ไว้ในที่ที่หนาวจัดจนเกิดน้ำแข็งได้
- ปิดเครื่องและถอดปลั๊กออก เมื่อไม่ต้องใช้งาน ก่อนทำความสะอาด ก่อนทำการบำรุงรักษา ก่อนซ่อมแซมอุปกรณ์ และก่อนใส่หรือถอดแปรงที่เคลื่อนที่ได้
- ห้ามใช้อุปกรณ์ที่ชำรุดหรือมีการดัดแปลง แบตเตอรี่ที่ชำรุดหรือมีการดัดแปลง อาจมีอาการที่ไม่สามารถคาดเดาได้ ทำให้เกิดไฟไหม้ ระเบิด หรือเสี่ยงต่อการบาดเจ็บ
- ห้ามปรับปรุงหรือซ่อมแซมอุปกรณ์เอง ยกเว้นตามที่ระบุไว้ในคำแนะนำการใช้งานและวิธีดูแลรักษา
- ห้ามใช้งานเมื่ออุปกรณ์เสริม (เช่น แท่นชาร์จ สายไฟ ฯลฯ) ชำรุด หากอุปกรณ์เสริมชำรุด ต้องติดต่อผู้ผลิตตัวแทนบริการของผู้ผลิต หรือบุคคลอื่นๆ ที่มีคุณสมบัติคล้ายคลึงกันมาเปลี่ยนใหม่ เพื่อป้องกันอันตราย
- ทำการซ่อมบำรุงโดยช่างซ่อมที่มีคุณสมบัติเหมาะสม และใช้ชิ้นส่วนอะไหล่ที่เหมือนกันเท่านั้น จะช่วยในการรักษาความปลอดภัยของผลิตภัณฑ์ได้

แบตเตอรี่และการชาร์จ

- เมื่อต้องการชาร์จอุปกรณ์ ให้ใช้แท่นชาร์จที่ให้ไปพร้อมกับอุปกรณ์นี้เท่านั้น ให้ใช้แท่นชาร์จ HCBG เท่านั้น
- ปฏิบัติตามคำแนะนำสำหรับการชาร์จทุกประการ และห้ามชาร์จอุปกรณ์นอกช่วงอุณหภูมิที่ระบุไว้บนแบตเตอรี่ เนื่องจากจะเพิ่มความเสี่ยงในการเกิดไฟไหม้
- แท่นชาร์จมีฟังก์ชันอบแห้งที่เหมาะสมสำหรับการอบแห้งแปรงของอุปกรณ์นี้เท่านั้น
- เก็บสายไฟแท่นชาร์จให้ห่างจากพื้นผิวที่ร้อน ห้ามจับปลั๊กไฟแท่นชาร์จหรืออุปกรณ์ด้วยมือเปียก เมื่อถอดปลั๊ก ให้จับที่ปลั๊กไฟแท่นชาร์จ ไม่ควรจับสายไฟ
- ห้ามดึงสายไฟแท่นชาร์จ ถือแท่นชาร์จที่สายไฟ ใช้สายไฟเป็นที่จับ ปิดประตูหนีบสายไฟ หรือดึงสายไฟบนขอบหรือมุมที่แหลมคม
- แบตเตอรี่ในผลิตภัณฑ์นี้สามารถเปลี่ยนได้โดยช่างเทคนิคหรือตัวแทนบริการหลังการขายที่ผ่านการรับรองเท่านั้น
- ชุดแบตเตอรี่ลิเธียมมีสารที่เป็นอันตรายต่อสิ่งแวดล้อม ก่อนที่จะทิ้งอุปกรณ์ โปรดถอดแบตเตอรี่ออกมา ก่อน จากนั้นนำไปทิ้งหรือรีไซเคิลให้ถูกต้องตามกฎหมายและข้อบังคับท้องถิ่นของประเทศหรือภูมิภาคผู้ใช้
- เมื่อถอดแบตเตอรี่ ต้องตัดการเชื่อมต่อระหว่างอุปกรณ์กับแหล่งจ่ายไฟก่อน เก็บแบตเตอรี่ให้พ้นมือเด็ก ห้ามนำแบตเตอรี่เข้าปาก หากกลืนกินเข้าไป โปรดติดต่อแพทย์หรือหน่วยงานควบคุมพิษท้องถิ่น
- ห้ามสัมผัสกับแบตเตอรี่ที่อาจมีของเหลวพุ่งออกในสถานะที่ไม่เหมาะสม หากมีการสัมผัสโดยบังเอิญ ให้ล้างออกด้วยน้ำ หากของเหลวเข้าตา ให้ไปพบแพทย์ทันที ของเหลวที่พุ่งออกจากแบตเตอรี่อาจทำให้เกิดการระคายเคืองหรือแผลไหม้ได้

คำแนะนำด้านความปลอดภัยที่สำคัญ

สัญลักษณ์



อุปกรณ์ประเภทที่ 2

T 3.15A



หน่วยเวลา พิ่วสลิงค์ขนาดเล็ก
ซึ่ง 3.15 เป็นสัญลักษณ์เวลา/กระแส



หน่วยจ่ายไฟแบบถอดได้



อ่านคู่มือการใช้งาน



ข้อมูล WEEE

ผลิตภัณฑ์ทั้งหมดที่มีสัญลักษณ์นี้ เป็นขยะอุปกรณ์ไฟฟ้าและอิเล็กทรอนิกส์ (WEEE) ตามคำสั่ง 2012/19/EU ซึ่งไม่ควรรวมกับขยะมูลฝอยในครัวเรือนที่ ยังไม่ได้แยกประเภท คุณต้องปกป้องสุขภาพมนุษย์และสิ่งแวดล้อมด้วยการนำส่งขยะอุปกรณ์ไปยังจุดรวบรวมที่กำหนดสำหรับการรีไซเคิลขยะอุปกรณ์ไฟฟ้าและอิเล็กทรอนิกส์ที่ จัดตั้ง โดยรัฐบาลหรือหน่วยงานท้องถิ่น การที่ ึ่งและรีไซเคิลอย่างถูกต้องจะช่วยป้องกันผลกระทบต่อสิ่งแวดล้อมที่ อาจเกิดขึ้นต่อสิ่งแวดล้อมและสุขภาพมนุษย์ โปรดติดต่อผู้จัดตั้ง หรือหน่วยงานท้องถิ่น เพื่อขอข้อมูลเพิ่มเติมเกี่ยวกับที่ ึ่งข้อกำหนด และเงื่อนไขของจุดรวบรวมเหล่านี้

บันทึกคำแนะนำเหล่านี้

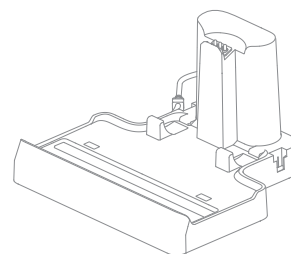
สำหรับใช้ในครัวเรือนเท่านั้น

บริษัท ดรีมมี เทคโนโลยี (เทียนจิน) จำกัด
ขอประกาศในที่นี้ว่า อุปกรณ์นี้สอดคล้องกับคำสั่งที่เกี่ยวข้อง บรรทัดฐานของยุโรป และเอกสารฉบับแก้ไข
สำหรับข้อความฉบับเต็มของคำประกาศความสอดคล้องของสหภาพยุโรป โปรดไปที่:
<https://global.dreametech.com>

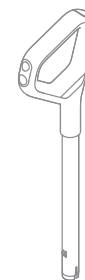
สำหรับคู่มืออิเล็กทรอนิกส์ที่ระบุถึงรายละเอียดต่างๆ โปรดไปที่ <https://global.dreametech.com/pages/user-manuals-and-faqs>

คำอธิบายรายละเอียดสินค้า

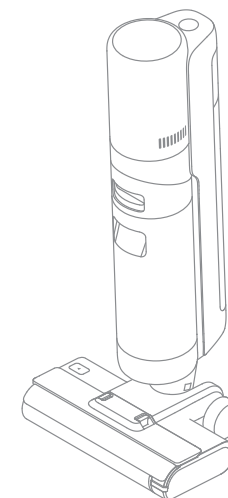
รายการบรรจุภัณฑ์



แท่นชาร์จ



มือจับ



ตัวเครื่อง



กล่องจัดเก็บ



แปรงทำความสะอาด



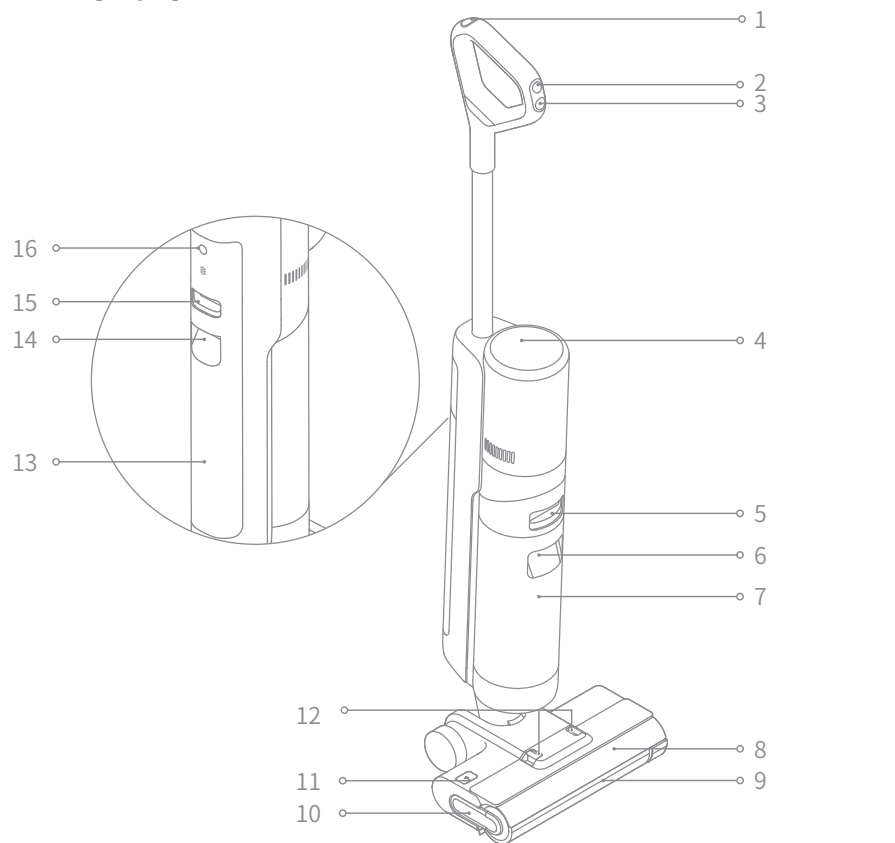
แปรงลูกกลิ้งสำรอง



ตัวกรองสำรอง

คำอธิบายรายละเอียดสินค้า

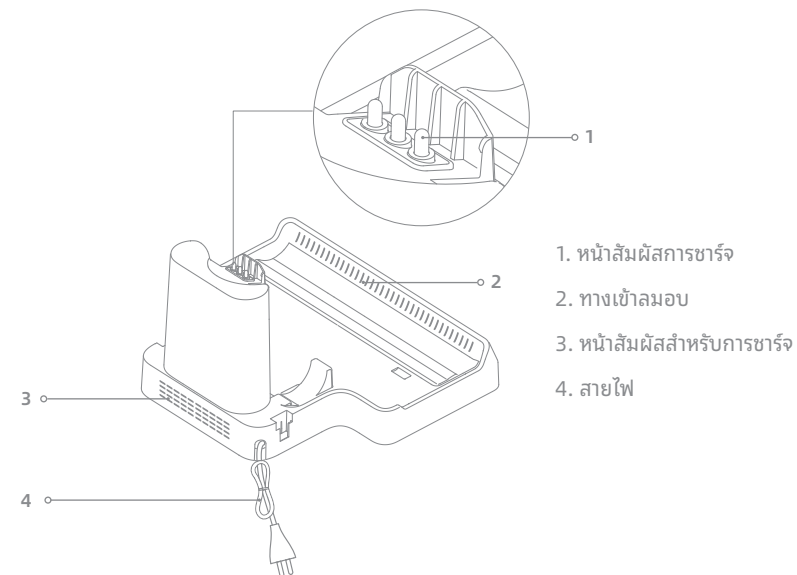
เครื่องดูดฝุ่นดูดน้ำ



- | | | |
|--------------------------|-------------------------------|--|
| 1. ปุ่มทำความสะอาดตัวเอง | 8. ฝาครอบแปรงลูกกลิ้ง | 15. ปุ่มปลดล็อกถังน้ำสะอาด |
| 2. โหมดสวิตช์ | 9. แปรงลูกกลิ้ง | 16. ปุ่มเสียงเตือน |
| 3. สวิตช์พาวเวอร์ | 10. มือจับแปรงลูกกลิ้ง | <ul style="list-style-type: none"> กดแล้วปล่อย เพื่อเปิดใช้เสียงเตือนหรือปรับระดับเสียง |
| 4. หน้าจอแสดงผล | 11. ปุ่มปลดแปรงลูกกลิ้ง | <ul style="list-style-type: none"> กดค้างไว้ 3 วินาทีเพื่อเข้าสู่การตั้งค่าภาษา กดสลับภาษา กดค้างไว้เพื่อยืนยันภาษาที่เลือก |
| 5. ปุ่มปลดถังน้ำทิ้ง | 12. ปุ่มปลดฝาครอบแปรงลูกกลิ้ง | |
| 6. มือจับถังน้ำทิ้ง | 13. ถังน้ำสะอาด | |
| 7. ถังน้ำทิ้ง | 14. มือจับถังน้ำสะอาด | |

คำอธิบายรายละเอียดสินค้า

แท่นชาร์จ



1. หน้าสัมผัสการชาร์จ
2. ทางเข้าลมอบ
3. หน้าสัมผัสสำหรับการชาร์จ
4. สายไฟ

หน้าจอแสดงผล



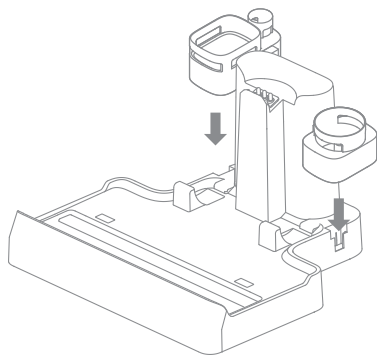
- | | | |
|------------------------|--|---|
| 1. โหมดดอโต้ | 4. ข้อความแสดงข้อผิดพลาด | 5. โหมดอบแห้ง |
| 2. ไฟแสดงสถานะการชาร์จ | <ul style="list-style-type: none"> น้ำในถังน้ำสะอาดไม่เพียงพอ ถังน้ำทิ้งเต็ม ท่อตัน แปรงลูกกลิ้งหยุดหมุน | 6. ไฟแสดงระดับแบตเตอรี่ต่ำ |
| 3. โหมดดูด | | <ul style="list-style-type: none"> สีส้มกะพริบเป็นจังหวะ: ระดับแบตเตอรี่ ≤ 20% สีเขียวกะพริบเป็นจังหวะ: ระดับแบตเตอรี่ > 20% |
| | | 7. โหมดเทอร์โบ |
| | | 8. ไฟแสดงระดับความสกปรก |
- ไฟแสดงระดับความสกปรก จะเปลี่ยนสีตามปริมาณสี สกปรกแบบเรียลไทม์

หมายเหตุ: หากอุปกรณ์ทำงานผิดปกติ จะมีข้อความแสดงข้อผิดพลาดขึ้นบนหน้าจอ โปรดดูตารางการแก้ไขปัญหา เพื่อค้นหาวิธีการแก้ไขที่คุณต้องการ

การติดตั้ง

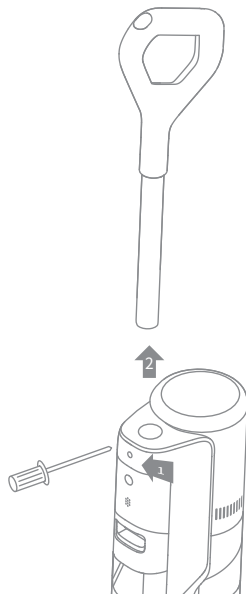
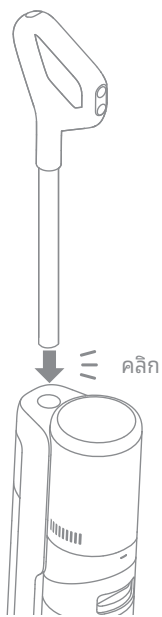
ติดตั้งกล่องจัดเก็บ

ติดตั้งกล่องจัดเก็บบนแท่นชาร์จ



ติดตั้งมือจับ

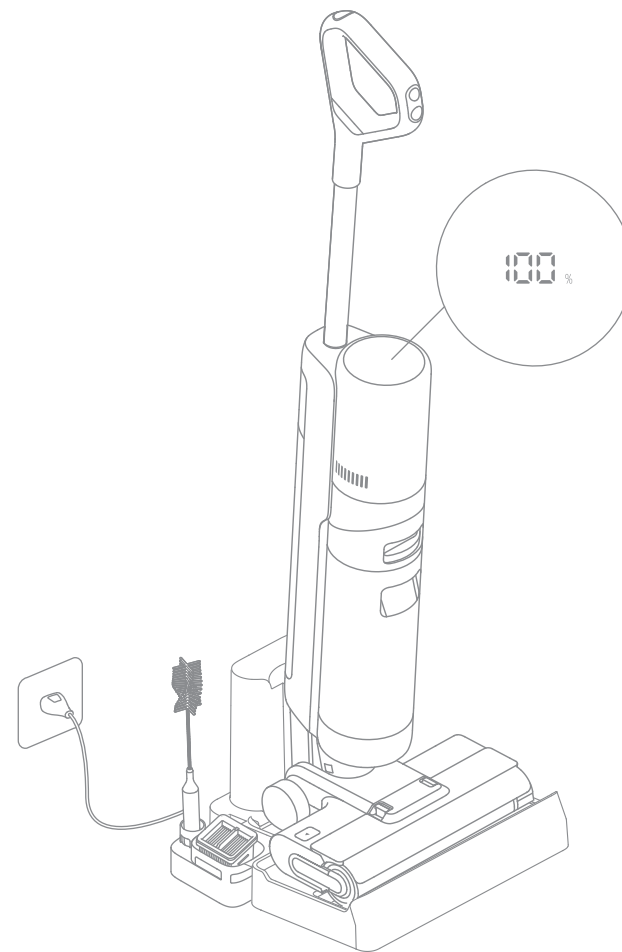
เสียบด้านปลายมือจับเข้าไปในพอร์ตด้านบนของอุปกรณ์ตามแนวตั้ง ดังที่แสดงในภาพ จนกว่าได้ยินเสียงคลิก



หมายเหตุ: เมื่อต้องการถอดออก ให้เสียบวัตถุแข็งเข้าไปในรูด้านหลังอุปกรณ์ กดจุดคอนแทคไว้ และดึงมือจับขึ้นมาพร้อมกัน

การชาร์จ

- วางแท่นชาร์จบนพื้นเรียบ ให้ชิดกับผนัง และเชื่อมต่อกับแหล่งจ่ายไฟ ชาร์จอุปกรณ์ให้เต็มก่อนใช้งานครั้งแรก
- วางอุปกรณ์ไว้บนแท่นชาร์จ เมื่อได้ยินเสียงเตือน "เริ่มชาร์จ" อุปกรณ์เปิดใช้งานโหมดชาร์จ ตัวเลขบนหน้าจอจะแสดงระดับแบตเตอรี่เป็นเปอร์เซ็นต์แบบเรียลไทม์ระหว่างการชาร์จ เมื่อตัวเลขขึ้นไปถึง 100 แสดงว่าแบตเตอรี่ชาร์จเต็ม

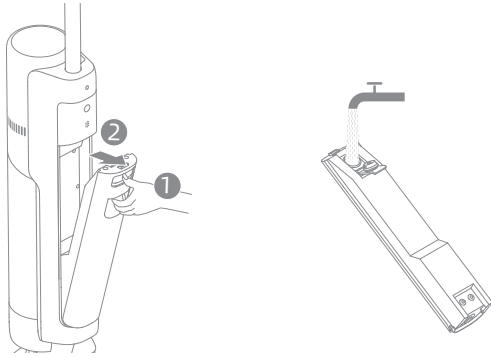


หมายเหตุ:

- หลังจากชาร์จเต็มแล้ว หากไม่มีการใช้งานภายใน 10 นาที อุปกรณ์จะเข้าสู่โหมดสลีป โปรดรีสตาร์ทอุปกรณ์หากคุณต้องการใช้งาน
- เพื่อยืดอายุการใช้งานของแบตเตอรี่ เพื่อหยุดอายุการใช้งานของแบตเตอรี่ แบตเตอรี่จะลดอุณหภูมิลงโดยอัตโนมัติเป็นเวลาประมาณหนึ่งชั่วโมงหลังจากใช้อุปกรณ์เป็นเวลานาน

เติมน้ำลงถังน้ำสะอาด

กดปุ่มปลดถังน้ำสะอาด เพื่อนำถังออกมา เปิดฝาดังและเติมน้ำสะอาดลงในถัง ใส่ถังน้ำสะอาดกลับไปเดิม ตรวจสอบว่าเข้าที่อย่างถูกต้อง

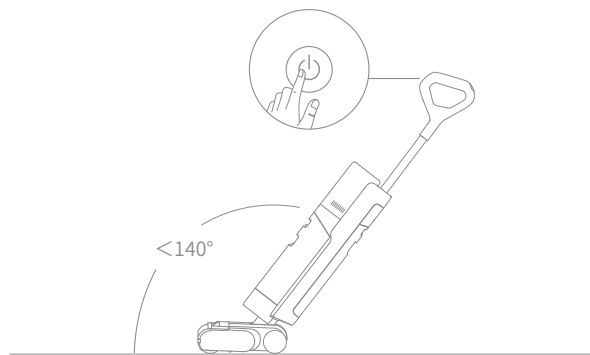


หมายเหตุ:

- ขอแนะนำให้ใช้ผ้าชุบน้ำหมาดๆ 10 มล. ลงในถังน้ำสะอาดที่เติม แล้วเช็ดเบาๆ ให้เข้ากันก่อนใช้งาน เพื่อได้ประสิทธิภาพการทำความสะอาดที่ดียิ่งขึ้น
- ห้ามเติมของเหลวใดๆ นอกเหนือจากน้ำยาทำความสะอาดที่ผ่านการรับรองจากผู้ผลิต สามารถสั่งซื้อน้ำยาทำความสะอาดที่ร้านค้าออนไลน์ของผู้ผลิตได้

เริ่มทำความสะอาด

เหยียบที่ครอบแปรงเบา ๆ และปรับเอนเครื่องไปด้านหลังเพื่อเริ่มการทำงาน กดสวิตช์เปิดปิด เพื่อเริ่มการทำงาน

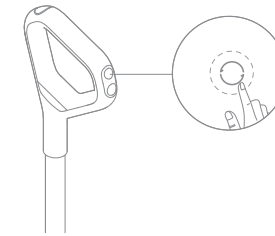


หมายเหตุ:

- ห้ามจุดของเหลวที่เป็นฟอง
- หากอุปกรณ์ถูกติดตั้งตรงระหว่างการทำงาน จะหยุดทำงานลง
- อุปกรณ์นี้เหมาะสำหรับใช้ในการทำความสะอาดพื้นไม้ พื้นหินอ่อน พื้นกระเบื้อง และพื้นผิวแข็งชนิดอื่นๆ
- ห้ามเอนอุปกรณ์ไปข้างหลังให้มากกว่า 140° เพื่อป้องกันไม่ให้น้ำรั่วออกจากอุปกรณ์
- เมื่ออุปกรณ์กำลังทำงานอยู่ ห้ามยกขึ้นจากพื้น เคลื่อนย้าย เอนไปข้างใดข้างหนึ่ง หรือวางราบลง การทำเช่นนี้อาจทำให้น้ำที่ใช้แล้วไหลเข้าไปในมอเตอร์ได้

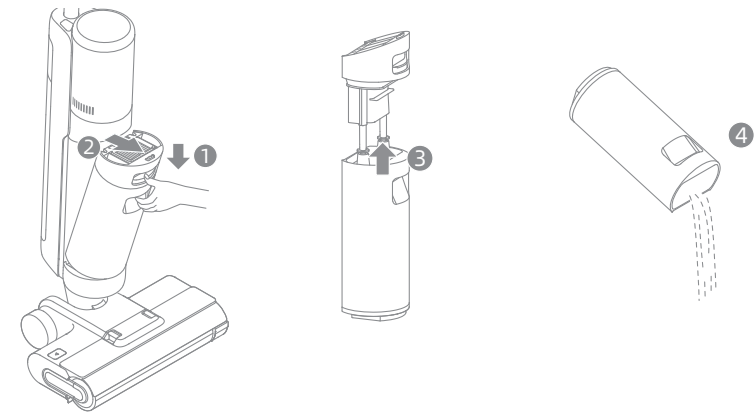
เปลี่ยนโหมด

เครื่องจะเปิดโหมดอัตโนมัติตามค่าเริ่มต้น คุณสามารถเปลี่ยนเป็นโหมดดูดหรือโหมดเทอร์โบได้ตามต้องการ




เทน้ำในถังน้ำทิ้งออกให้หมด

กดปุ่มปลดถังน้ำทิ้งเพื่อนำถังออก เปิดฝาดัง เทน้ำที่ใช้แล้วออก ปิดฝาดังแล้วใส่ถังกลับไปเดิมก่อนที่จะเริ่มใช้งาน



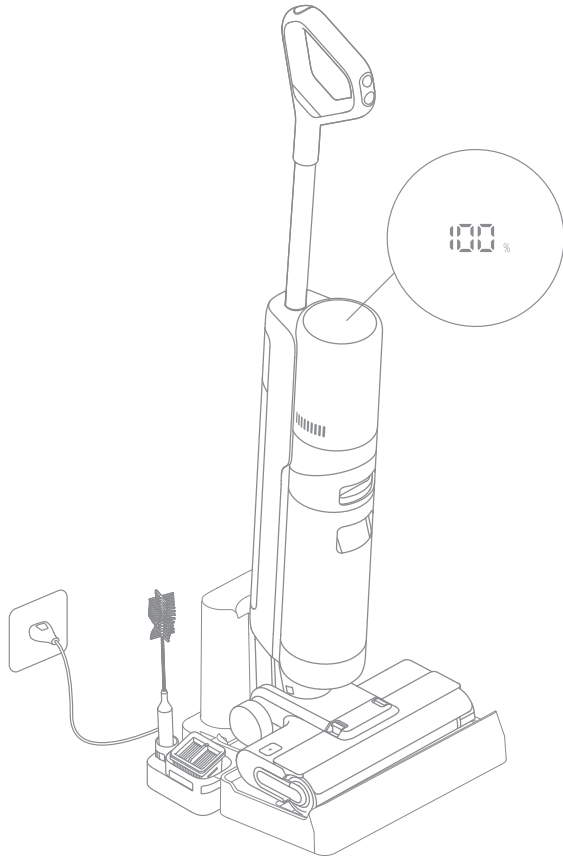
ทำความสะอาดเองด้วยการคลิกเพียงครั้งเดียว

1. หลังจากอุปกรณ์ทำความสะอาดพื้นเสร็จ ให้วางไว้บนแท่น และตรวจสอบว่าน้ำในถังน้ำสะอาดเพียงพอสำหรับการทำความสะอาดตัวเองหรือไม่
2. กดปุ่มทำความสะอาดตัวเองที่ด้านบนมือจับ แล้วปล่อย เพื่อเริ่ม/หยุดทำความสะอาดตัวเอง
3. หลังจากทำความสะอาดตัวเองเสร็จและเปิดใช้โหมดดับแห้งแล้ว ให้เทน้ำในถังน้ำทิ้งออกให้หมด กดปุ่ม  เพื่อออกจากโหมดดับแห้ง

หมายเหตุ: ไม่สามารถเปิดใช้การทำความสะอาดตัวเองหากระดับแบตเตอรี่ต่ำกว่า 20%

โหมดอบแห้ง

1. กดปุ่มทำความสะอาดตัวเอง  ค้างไว้ 3 วินาที เพื่อเปิดใช้โหมดอบแห้ง
2. อุปกรณ์จะเริ่มชาร์จเมื่อทำการอบแห้งเสร็จ



หมายเหตุ:

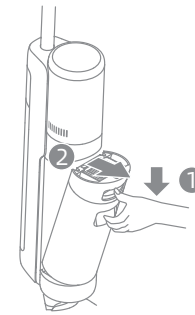
- หลังจากทำความสะอาดตัวเองเสร็จ หากมีคราบสกปรกตกค้างบนแท่น ให้ทำความสะอาดแท่นชาร์จ
- หากทำความสะอาดแปรงลูกกลิ้งด้วยตนเอง โปรดตากให้แห้งสนิทหรือทำแห้งด้วยโหมดอบแห้งหลายครั้ง

ข้อควรระวัง:

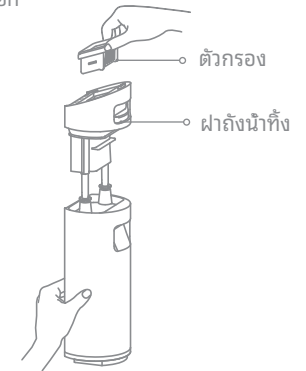
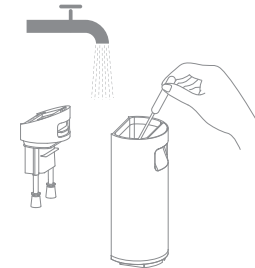
- ปิดเครื่องก่อนทำการบำรุงรักษา ห้ามสัมผัสสวิตช์พาวเวอร์
- เปลี่ยนชิ้นส่วนเมื่อต้องการ ให้ใช้ชิ้นส่วนที่หาซื้อจากผู้ผลิตหรือตัวแทนบริการของผู้ผลิต
- หากไม่ต้องใช้งานอุปกรณ์เป็นเวลานาน ควรชาร์จให้เต็มก่อน ถอดอะแดปเตอร์ปลั๊กไฟออกแล้วเก็บไว้ในที่เย็น ความชื้นต่ำ และไม่มีแสงแดดส่องถึงโดยตรง ให้ชาร์จอุปกรณ์อย่างน้อยทุกๆ 3 เดือนเพื่อป้องกันไม่ให้แบตเตอรี่คายประจุออกมามากเกินไป

การทำความสะอาดถังน้ำสะอาดและตัวกรอง

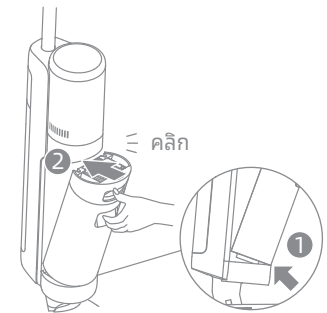
1. กดปุ่มปลดถังน้ำทิ้ง และนำถังน้ำทิ้งออก
2. นำตัวกรองออกจากฝาของถังน้ำทิ้ง ถอดฝาและเทน้ำสกปรกออก



3. ล้างถังน้ำทิ้งกับฝาล้างด้วยน้ำ ใช้แปรงทำความสะอาดที่ไปทำความสะอาดผนังด้านในของถัง



4. ปิดฝาล้างน้ำทิ้ง ใส่ถังน้ำทิ้งกลับไปให้เต็ม และตรวจสอบว่าได้เข้าที่อย่างถูกต้อง



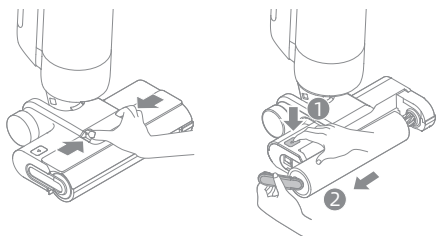
หมายเหตุ:

- เมื่อตัวกรองสกปรก ต้องการล้างให้สะอาด ให้ล้างด้วยน้ำ และต้องทำให้แห้งสนิทก่อนใช้งาน
- ขอแนะนำให้เปลี่ยนตัวกรองทุกๆ 3 ถึง 6 เดือน

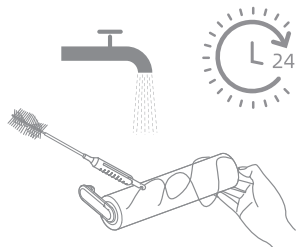
การซ่อมบำรุง

การทำความสะอาดชุดแปรง

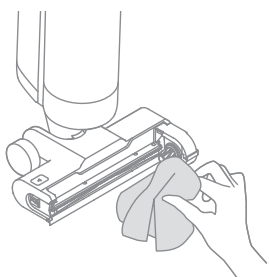
1. ก่อนอื่น ให้กดปุ่มปลดฝาครอบแปรงลูกกลิ้งเข้าด้านในจากทั้งสองข้าง เพื่อถอดฝาครอบออก แล้วกดปุ่มปลดแปรงลูกกลิ้งลง มือจับของแปรงลูกกลิ้งจะเด็งออก ดึงมือจับเพื่อนำแปรงลูกกลิ้งออกมา



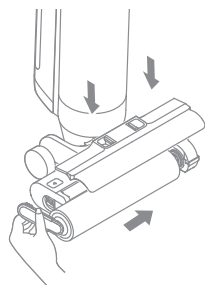
2. กำจัดเส้นผมและสิ่งสกปรกที่พันกันบนแปรงลูกกลิ้งด้วยแปรงทำความสะอาดที่ให้ไป ล้างแปรงลูกกลิ้งด้วยน้ำสะอาด ตากแปรงลูกกลิ้งให้แห้งสนิทหรือทำแห้งโดยเปิดใช้โหมดอบแห้งหลายครั้ง



3. เช็ดช่องดูดลมด้วยผ้าแห้งหรือทิชชูเปียก ห้ามล้างชุดแปรงด้วยน้ำ



4. หลังจากทำความสะอาดแปรงลูกกลิ้งแล้ว ใส่แปรงลูกกลิ้งกับฝาครอบกลับไปที่ได้เดิม คุณจะได้ยินเสียงคลิก ซึ่งเป็นการยืนยันว่าได้เข้าที่อย่างถูกต้อง



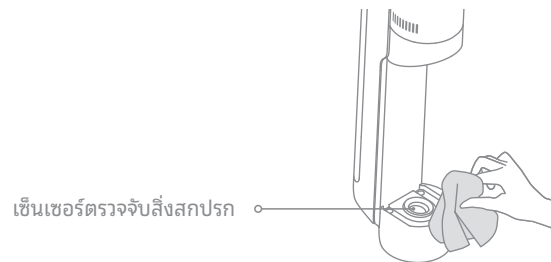
หมายเหตุ:

- ทำความสะอาดตามที่ต้องการ ขอแนะนำให้สลับใช้แปรงลูกกลิ้งสองชิ้น
- ขอแนะนำให้เปลี่ยนแปรงลูกกลิ้งทุกๆ 3 ถึง 6 เดือน

การซ่อมบำรุง

การทำความสะอาดท่อและเซ็นเซอร์ตรวจจับสิ่งสกปรก

ถอดถังน้ำทิ้งออก เช็ดท่อกับเซ็นเซอร์ตรวจจับสิ่งสกปรกด้วยผ้าเปียกก่อนใช้งาน



การแก้ไขปัญหา

หากเกิดข้อผิดพลาด อุปกรณ์จะหยุดทำงาน โปรดดูตารางต่อไปนี้เพื่อแก้ไขปัญหา หากปัญหายังคงเหมือนเดิม โปรดติดต่อฝ่ายบริการลูกค้า

ข้อผิดพลาด	สาเหตุที่เป็นไปได้	วิธีแก้ไข
อุปกรณ์ไม่ทำงาน	อุปกรณ์แบตเตอรี่หมด หรือระดับแบตเตอรี่เหลือน้อย	ชาร์จแบตเตอรี่ให้เต็มก่อนใช้งาน
	อุปกรณ์อยู่ในตำแหน่งที่ตั้งตรง	เอនอุปกรณ์ไปข้างหลัง
	โหมดป้องกันอุณหภูมิสูงถูกเปิดใช้งาน เนื่องจากเกิดการอุดตัน	นำสิ่งอุดตันออก และรอจนอุณหภูมิลดลงสู่ระดับปกติ
	ถังน้ำท้งเต็ม	เทน้ำในถังน้ำท้งออกให้หมด
	ชิ้นส่วนไม่ได้รับการติดตั้งอย่างเหมาะสม	แน่ใจว่าชิ้นส่วนทั้งหมดอยู่ในตำแหน่งที่ถูกต้อง
อุปกรณ์ชาร์จช้า	อุณหภูมิของแบตเตอรี่ต่ำหรือสูงเกินไป	รอจนอุณหภูมิแบตเตอรี่กลับสู่สภาพปกติ
แรงดูดของอุปกรณ์อ่อน	ตัวกรองอุดตัน	กำลังทำความสะอาดตัวกรอง
	สิ่งแปลกปลอมอุดตันช่องดูดหรือท่อ	ทำความสะอาดท่อกับช่องดูดลม
มอเตอร์ส่งเสียงดังผิดปกติ	น้ำสกปรกในถังน้ำท้งมากเกินไป	เทน้ำในถังน้ำท้งออกให้หมด
	ช่องดูดลมอุดตัน	นำสิ่งอุดตันออกจากช่องดูดลม
ไฟแสดงระดับความสกปรกเป็นสีแดงเสมอ	เซ็นเซอร์ตรวจจับสิ่งสกปรกต้องการทำความสะอาด	เซ็นเซอร์ตรวจจับสิ่งสกปรกอยู่ในท่อให้ปฏิบัติตามคำแนะนำสำหรับการทำความสะอาดท่อ
	ระดับความเข้มข้นของน้ำยาทำความสะอาดสูงเกินไป	เจือจางน้ำยาทำความสะอาดด้วยน้ำตามอัตราส่วนที่แนะนำ
	น้ำยาทำความสะอาดของผู้ผลิตรายอื่นทำให้เกิดฟองจำนวนมาก	ใช้น้ำยาที่ผ่านการรับรองอย่างเป็นทางการเท่านั้น
หน้าจจะไม่สว่างขึ้นขณะที่ชาร์จ	ไม่ได้เสียบหัวปลั๊กของแท่นชาร์จจนได้รับไฟฟ้่าอย่างถูกต้อง	ตรวจสอบว่าได้เสียบหัวปลั๊กของแท่นชาร์จอย่างถูกต้อง
	ไม่ได้วางอุปกรณ์ไว้บนแท่นชาร์จอย่างถูกต้อง	ตรวจสอบว่าได้วางอุปกรณ์ไว้บนแท่นชาร์จอย่างถูกต้อง




การแก้ไขปัญหา

ไม่มีน้ำออกจากอุปกรณ์	ใส่ถังน้ำสะอาดไม่ถูกต้อง หรือน้ำในถังน้ำสะอาดไม่เพียงพอ	ใส่ถังน้ำสะอาดอีกครั้ง หรือเติมน้ำลงในถังน้ำสะอาด
	ใช้เวลา 30 วินาทีในการทำให้แรงดูดกลับเป็ยกน้ำ	เปิดเครื่องและตรวจสอบอีกครั้งภายใน 30 วินาที
มีน้ำรั่วออกจากช่องส่งลม	การกระแทกหรือการกระชากทำให้น้ำเข้าไปในมอเตอร์	เมื่ออุปกรณ์เปิดอยู่ ให้เคลื่อนย้ายอุปกรณ์ไปมาอย่างเบาๆ
	ไม่ได้ทำให้ตัวกรองแห้งสนิทหลังจากทำความสะอาด	ทำให้ตัวกรองแห้งสนิทก่อนใช้งาน
ทำความสะอาดตัวเองล้มเหลว	อาจมีเศษขยะชิ้นใหญ่ทำให้แรงดูดกลับหยุดหมุน	เปิดฝาครอบแรงดูดกลับเพื่อตรวจสอบและทำความสะอาดแรงดูดกลับ
	ไม่ได้วางอุปกรณ์ไว้บนแท่นชาร์จอย่างถูกต้อง	ตรวจสอบว่าได้ชาร์จอุปกรณ์แล้วก่อนเปิดใช้ฟังก์ชันทำความสะอาดตัวเอง
	ไม่สามารถเปิดใช้การทำความสะอาดตัวเองหากระดับแบตเตอรี่ต่ำกว่า 20%	สามารถเปิดใช้ฟังก์ชันทำความสะอาดตัวเองได้ต่อเมื่ออุปกรณ์กำลังชาร์จอยู่ และระดับแบตเตอรี่มากกว่า 20%
ประสิทธิภาพการอบแห้งต่ำ	ใส่ถังน้ำท้งไม่ถูกต้อง หรือถังน้ำท้งเต็ม	ใส่ถังน้ำท้งอีกครั้ง หรือเทน้ำในถังน้ำท้งออกให้หมด
	ใส่ถังน้ำสะอาดไม่ถูกต้อง หรือน้ำในถังน้ำสะอาดไม่เพียงพอ	ใส่ถังน้ำสะอาดอีกครั้ง หรือเติมน้ำลงในถังน้ำสะอาด
ประสิทธิภาพการอบแห้งต่ำ	ช่องลมออกกับช่องลมเข้าของแท่นชาร์จอาจเกิดการอุดตัน	ตรวจสอบช่องลมออกกับช่องลมเข้า และนำสิ่งอุดตันออก

สำหรับบริการเพิ่มเติม โปรดติดต่อเราผ่าน aftersales@dreametech.com หรือ <https://global.dreametech.com>

ข้อความแสดงข้อผิดพลาดและวิธีแก้ไข

หากอุปกรณ์ทำงานผิดปกติ จะมีข้อความแสดงข้อผิดพลาดขึ้นบนหน้าจอ โปรดดูตารางการแก้ไขปัญหาเพื่อค้นหาวิธีแก้ไขที่คุณต้องการ

ไอคอนข้อผิดพลาด	สาเหตุที่เป็นไปได้	วิธีการแก้ไข
	น้ำในถังน้ำสะอาดไม่เพียงพอ	เติมน้ำลงในถังน้ำสะอาด
	ถังน้ำทิ้ง เต็ม	เทน้ำในถังน้ำทิ้งออกให้หมด
	แปรงลูกกลิ้งหยุดหมุน	ทำความสะอาดแปรงลูกกลิ้งด้วยแปรงทำความสะอาดที่ใส่ไป
	ท่อตัน	ตรวจสอบว่าตัวกรองอุดตันหรือไม่ หรือทำความสะอาดท่อกับเซ็นเซอร์ตรวจจับสิ่งสกปรก

รหัสข้อผิดพลาด	สาเหตุที่เป็นไปได้	วิธีการแก้ไข
E1-E7	ข้อผิดพลาด	รีเซ็ตทอุปกรณ์เพื่อแก้ไขปัญหา หากปัญหายังคงเหมือนเดิม โปรดติดต่อฝ่ายบริการลูกค้า
H1-H6		
H7	แบตเตอรี่ร้อนจัด	รอนจนอุณหภูมิของแบตเตอรี่กลับมาเป็นปกติ แล้วจึงใช้เครื่องดูดฝุ่นดูดน้ำต่อไป

ข้อมูลจำเพาะ

เครื่องดูดฝุ่นดูดน้ำ			
รุ่น	HHR30B	เวลาในการชาร์จ	ประมาณ 5-6 ชั่วโมง
		เวลาในการอบแห้ง	1 ชั่วโมง
แรงดันไฟฟ้าพิกัด	21.6 V ===	แรงดันไฟฟ้าในการชาร์จ	27 V===
กำลังพิกัด	300 W	ความจุของถังน้ำทิ้ง	700 mL
		ความจุของถังน้ำสะอาด	900 mL
แท่นชาร์จ			
รุ่น	HCBG	กำลังพิกัด	130 W
อัตราขาเข้า	220-240 V ~ 50-60 Hz	พิกัดขาออก	27 V=== 0.9 A

พิกัดกำลังไฟฟ้าจะวัดในช่วงเวลาที่เครื่องทำงานอย่างเต็มกำลังในตอนเริ่มต้น โดยเปิดฟังก์ชันการชาร์จและการทำให้แห้งพร้อมกัน

แบตเตอรี่ลิเธียมในตัวผลิตภัณฑ์ที่มีสารที่เป็นอันตรายต่อสิ่งแวดล้อม ก่อนที่จะทิ้งแบตเตอรี่ ให้ตรวจสอบว่าแบตเตอรี่ถูกถอดออกมาได้อย่างเทคนิคที่มีคุณสมบัติเพียงพอ และทิ้งที่จุดรีไซเคิลที่เหมาะสม

- ต้องถอดแบตเตอรี่ออกมาก่อนที่จะทิ้งอุปกรณ์
- เมื่อถอดแบตเตอรี่ ต้องตัดการเชื่อมต่อระหว่างอุปกรณ์กับแหล่งจ่ายไฟ
- ต้องจัดการแบตเตอรี่อย่างปลอดภัย

ขั้นตอนการถอดแบตเตอรี่

1. ใช้เครื่องมือหมุนถอดหน้าจอแสดงผล
2. ถอดสกรูบนฝาครอบแบตเตอรี่ตามลำดับ แล้วเปิดฝาครอบด้วยเครื่องมือที่เหมาะสม
3. ดึงเทอร์มินัลระหว่างแบตเตอรี่กับบอร์ด PCB เพื่อถอดแบตเตอรี่

คำเตือน:

- ก่อนที่จะถอดแบตเตอรี่ ให้ตัดการเชื่อมต่อกับแหล่งจ่ายไฟ และใช้แบตเตอรี่ให้หมดเท่าที่จะทำได้
- แบตเตอรี่ที่ไม่ใช้แล้ว ต้องทิ้งที่จุดรีไซเคิลที่เหมาะสม
- ห้ามวางแบตเตอรี่อยู่ในสภาพแวดล้อมที่มีอุณหภูมิสูง เพื่อป้องกันการเกิดระเบิด
- อาจมีของเหลวฟุ้งออกจากแบตเตอรี่ภายใต้สภาวะที่ไม่เหมาะสม หากสัมผัสของเหลวโดยไม่ตั้งใจ ให้ล้างออกด้วยน้ำ และขอความช่วยเหลือทางการแพทย์

Chỉ Dẫn An Toàn Quan Trọng

Vui lòng đọc kỹ hướng dẫn này trước khi sử dụng và bảo quản nó để tham khảo trong tương lai.

Khi sử dụng thiết bị điện, phải luôn tuân thủ các biện pháp phòng ngừa cơ bản, bao gồm các điều sau:

ĐỌC KỸ TẤT CẢ HƯỚNG DẪN TRƯỚC KHI SỬ DỤNG (THIẾT BỊ NÀY). Việc không tuân theo các cảnh báo và hướng dẫn có thể dẫn đến điện giật, cháy nổ và/hoặc thương tích nghiêm trọng.

CẢNH BÁO - Để giảm nguy cơ cháy nổ, điện giật hoặc thương tích:

Hạn Chế Sử Dụng

- Trẻ em dưới 8 tuổi và những người suy giảm khả năng thể chất, giác quan, trí tuệ, hoặc người thiếu kinh nghiệm hoặc kiến thức cần có sự giám sát của cha mẹ hoặc người giám hộ để đảm bảo vận hành thiết bị an toàn và tránh mọi rủi ro. Trẻ em không được phép thực hiện vệ sinh và bảo dưỡng mà không có sự giám sát.
- Màn hình nhựa có thể gây nguy hiểm. Để tránh nguy cơ ngạt thở, hãy để nó xa tầm tay trẻ em. Không để trẻ em nghịch thiết bị.
- Chỉ sử dụng trên các bề mặt sàn không trải thảm trong nhà như nhựa vinyl, nền gạch, gỗ kín, v.v. Không di chuyển qua các vật lỏng lẻo hoặc mép biên của khu vực trải thảm. Kẹt chổi có thể làm dây curoa bị hỏng sớm.
- Chỉ sử dụng như mô tả trong hướng dẫn sử dụng này. Chỉ sử dụng các phụ kiện được khuyến nghị bởi nhà sản xuất.
- Không để thiết bị tiếp xúc với lửa hoặc nhiệt độ quá cao vì có thể gây cháy nổ.
- Không sử dụng trong môi trường quá nóng hoặc quá lạnh (dưới 5°C/41°F hoặc trên 40°C/104°F). Vui lòng sạc thiết bị ở nhiệt độ trên 5°C/41°F và dưới 40°C/104°F.
- Không nhúng thiết bị vào dung dịch lỏng.
- Không dùng máy để hút các chất lỏng dễ cháy hoặc dễ bắt lửa, chẳng hạn như xăng. Không sử dụng ở nơi có thể có chất lỏng dễ cháy hoặc dễ bắt lửa.
- Không đặt bất kỳ đồ vật nào vào lỗ hút. Không sử dụng thiết bị khi có lỗ hút bị tắc; để xa bụi, xơ vải, tóc hoặc các vật dụng khác có thể làm giảm luồng không khí.
- Không hút vật liệu độc hại (thuốc tẩy clo, amoniac, bột thông cống, v.v.). Không hút các vật cứng hoặc sắc nhọn như thủy tinh, đinh, ốc vít, tiền xu, v.v.
- Không sử dụng thiết bị trong không gian kín chứa đầy hơi do sơn gốc dầu, dung môi pha sơn, chất chống mốc, bụi dễ cháy, hơi độc hoặc chất nổ khác các loại. Không dùng thiết bị để hút bất cứ thứ gì đang cháy hoặc đang bốc khói như thuốc lá, diêm hoặc tro nóng.
- Không sử dụng máy hút bụi khi chưa lắp bộ lọc.
- Giữ tóc, quần áo, ngón tay và tất cả bộ phận của cơ thể tránh xa lỗ hút và các bộ phận chuyển động của thiết bị và các phụ kiện đi kèm.
- Giữ dây điện trên mặt sàn cách xa thiết bị khi sử dụng, vì có thể xảy ra nguy hiểm nếu thiết bị chạy qua dây nguốn.
- Phải đặc biệt lưu ý khi lau chùi cầu thang.

Chỉ Dẫn An Toàn Quan Trọng

Bảo Dưỡng và Bảo Quản

- Đảm bảo thiết bị ở trạng thái TẮT trước khi chuyển thiết bị đến vị trí khác. Không nên đặt tay lên nút khởi động khi di chuyển để tránh thiết bị khởi động ngoài ý muốn và gây tai nạn.
- Đảm bảo thiết bị được đặt trên bề mặt nằm ngang. Không sử dụng thiết bị ở cùng một vị trí nếu được trang bị chổi lăn và tay cầm không hoàn toàn thẳng đứng. Không cất giữ thiết bị ở nơi có thể bị đóng băng.
- Tắt nguồn và rút phích cắm khi không sử dụng, trước khi vệ sinh, bảo trì hoặc bảo dưỡng thiết bị, và trước khi kết nối hoặc ngắt kết nối thiết bị với đầu hút.
- Không sử dụng thiết bị đã hỏng hoặc đã sửa đổi. Pin hỏng hoặc bị thay đổi có thể dẫn đến các nguy cơ cháy nổ hoặc gây thương tích không thể lường trước.
- Không thay đổi hoặc cố gắng sửa chữa thiết bị trừ các trường hợp đã nêu trong hướng dẫn sử dụng và bảo trì.
- Không sử dụng thiết bị khi phụ kiện kèm theo bị hỏng (ví dụ: Đế sạc, Dây nguồn, v.v.) Nếu phụ kiện kèm theo bị hỏng thì phải được thay thế bởi nhà sản xuất, đại lý dịch vụ hoặc những người có trình độ chuyên môn để tránh nguy hiểm.
- Dịch vụ bảo trì phải được thực hiện bởi người có trình độ chuyên môn và sử dụng các bộ phận thay thế giống nhau. Điều này sẽ đảm bảo cho việc duy trì sự an toàn của sản phẩm.

Pin và Sạc

- Chỉ sử dụng đế sạc được cung cấp kèm theo thiết bị này để sạc thiết bị. Chỉ sử dụng với đế sạc HCBG.
- Tuân theo tất cả các hướng dẫn sạc và không sạc thiết bị bên ngoài phạm vi nhiệt độ được chỉ định vì sẽ làm tăng nguy cơ cháy nổ.
- Để sạc được trang bị chức năng sấy khô và chỉ thích hợp để sấy khô chổi của thiết bị này.
- Giữ cáp đế sạc tránh xa các bề mặt nóng. Không cầm phích cắm đế sạc hoặc thiết bị khi tay ướt. Để rút phích cắm, hãy nắm vào phích cắm của đế sạc chứ không nắm vào dây cáp.
- Không kéo hoặc xé cáp đế sạc bằng cáp, sử dụng cáp làm tay cầm, đóng cửa cấn lên cáp hoặc kéo cáp xung quanh các cạnh hoặc góc sắc nhọn.
- Sản phẩm này chứa pin chỉ có thể được thay bởi kỹ thuật viên có trình độ chuyên môn hoặc dịch vụ hậu mãi.
- Bộ pin lithium-ion này có chứa các chất độc hại cho môi trường. Trước khi vứt bỏ máy hút bụi, vui lòng tháo pin, sau đó loại bỏ hoặc tái chế theo luật và quy định ở địa phương của quốc gia hoặc khu vực mà pin được sử dụng.
- Phải ngắt kết nối thiết bị với nguồn điện khi tháo pin. Giữ pin ngoài tầm với của trẻ em. Giữ pin ngoài tầm với của trẻ em. Không bao giờ cho pin vào miệng. Nếu nuốt phải, hãy liên hệ với bác sĩ hoặc cơ quan kiểm soát chất độc tại địa phương.
- Trong tình huống bị vỡ, tuyệt đối không được tiếp xúc với chất lỏng chảy ra từ pin. Nếu vô tình tiếp xúc, hãy rửa sạch bằng nước. Nếu chất lỏng tiếp xúc với mắt, hãy tìm trợ giúp y tế ngay lập tức. Chất lỏng phun ra từ pin có thể gây kích ứng hoặc bỏng.

Chỉ Dẫn An Toàn Quan Trọng

Ký hiệu



Thiết bị cấp II



Độ trễ thu nhỏ cầu chì
Trong đó 3,15 là tượng trưng cho đặc tính thời gian/dòng điện



Bộ nguồn có thể tháo rời



Đọc hướng dẫn sử dụng



Thông Tin Rác Thải Thiết Bị Điện Và Điện Tử

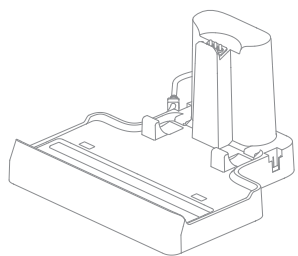
Tất cả các sản phẩm mang ký hiệu này đều là rác thải thiết bị điện và điện tử (WEEE theo chỉ thị 2012/19/EU) không được để lẫn với rác thải sinh hoạt chưa phân loại. Thay vào đó, bạn nên bảo vệ môi trường và sức khỏe con người bằng cách mang thiết bị rác thải của mình đến điểm thu gom do chính phủ hoặc chính quyền địa phương chỉ định để tái chế. Xử lý và tái chế đúng cách giúp ngăn ngừa những hậu quả tiêu cực có thể xảy ra đối với môi trường và sức khỏe con người. Vui lòng liên hệ với người lắp đặt hoặc chính quyền địa phương để biết thêm thông tin về địa điểm cũng như các điều khoản và điều kiện của các điểm thu gom đó.

LƯU NHỮNG HƯỚNG DẪN NÀY

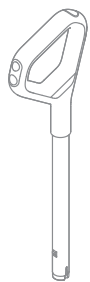
Chỉ Sử Dụng Trong Gia Đình

Bằng văn bản này, công ty TNHH We Dreame Trading (Thiên Tân) tuyên bố rằng thiết bị này tuân thủ theo các Chỉ thị và Quy chuẩn Châu Âu hiện hành cũng như các sửa đổi. Toàn văn tuyên bố về sự tuân thủ của Liên minh Châu Âu hiện có tại địa chỉ internet sau: <https://global.dreametech.com>
Để tham khảo hướng dẫn sử dụng điện tử, vui lòng truy cập <https://global.dreametech.com/pages/user-manuals-and-faqs>

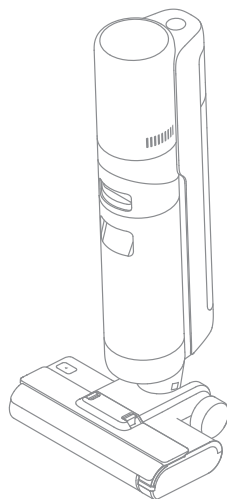
Danh mục phụ kiện



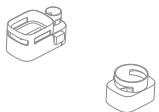
Đế Sạc



Tay Cầm



Thân Máy



Giá đỡ phụ kiện



Chổi Vệ Sinh

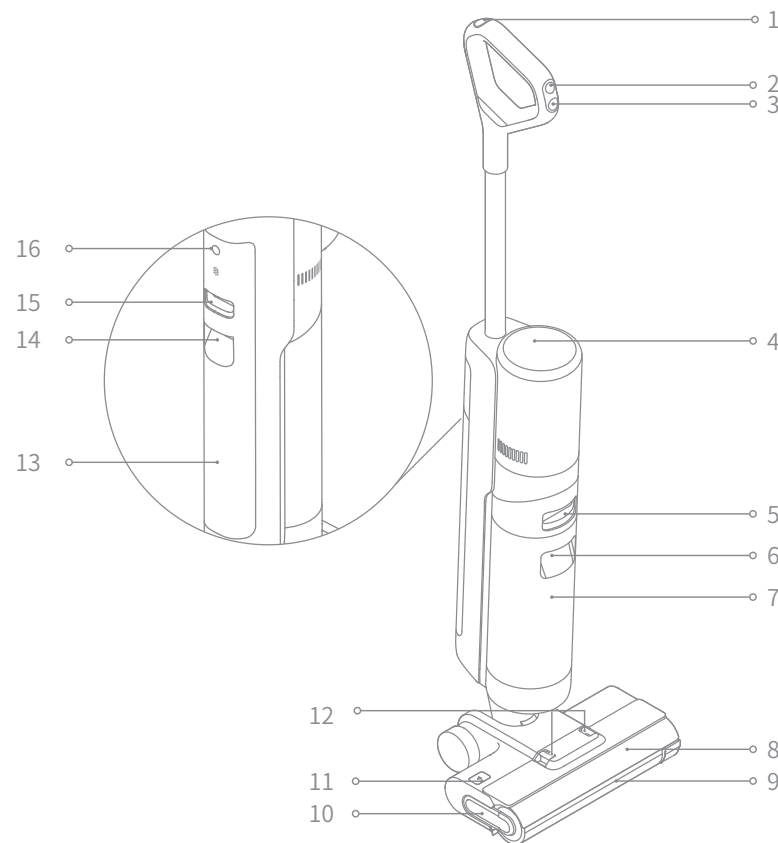


Chổi Lăn Dự Phòng



Bộ Lọc Dự Phòng

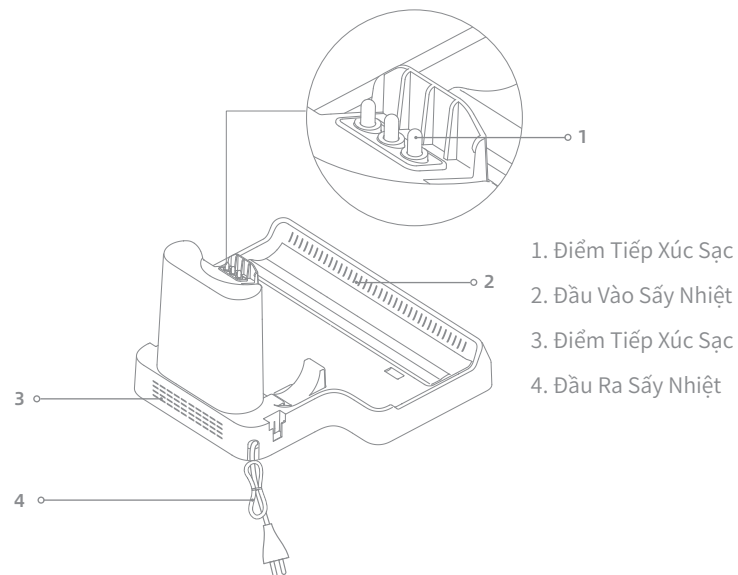
Máy Hút Bụi



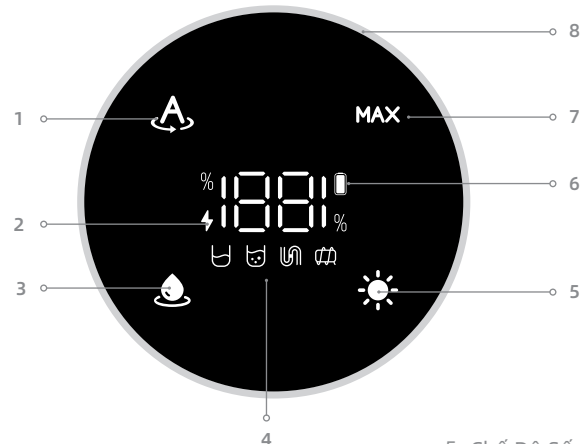
- | | | |
|---------------------------|----------------------------|---|
| 1. Nút Tự Làm Sạch | 8. Nắp Chổi Lăn | 15. Nút Tháo khay Nước Sạch |
| 2. Công Tắc Chế Độ | 9. Chổi Lăn | 16. Nút Nhắc Nhở Bằng Giọng Nói |
| 3. Công Tắc Nguồn | 10. Tay Cầm Chổi Lăn | <ul style="list-style-type: none"> • Ấn nhanh để kích hoạt lời nhắc thoại hoặc điều chỉnh âm lượng • Ấn giữ trong 3 giây để vào cài đặt ngôn ngữ. Ấn giữ để chuyển đổi giữa các ngôn ngữ. Ấn giữ để xác nhận lựa chọn |
| 4. Màn Hình Hiển Thị | 11. Nút Tháo Chổi Lăn | |
| 5. Nút Tháo khay Nước Bẩn | 12. Nút Mở nắp Chổi Lăn | |
| 6. Tay Cầm khay Nước Bẩn | 13. Vệ Sinh khay Nước | |
| 7. khay Nước Bẩn | 14. Tay Cầm khay Nước Sạch | |

VI Tổng Quan Về Sản Phẩm

Để Sạc



Màn Hình Hiển Thị



1. Chế Độ Tự Động

2. Đèn Báo Đang Sạc

- Màu cam nháy chậm: Mức pin $\leq 20\%$
- Màu xanh sáng chậm: Mức pin $> 20\%$

3. Chế Độ Hút

4. Thông Báo Sự Cố

- ☹ Khay Nước Sạch không đủ nước
- ☹ Khay Nước Bẩn đầy
- ☹ Đường ống bị tắc nghẽn
- ☹ Chổi lăn bị kẹt

5. Chế Độ Sấy

6. Đèn Báo Pin Yếu

- Màu cam sáng đều: Mức pin $\leq 20\%$
- Màu xanh sáng đều: Mức pin $> 20\%$

7. Chế Độ Tăng Áp

8. Chỉ Báo Mức Bụi

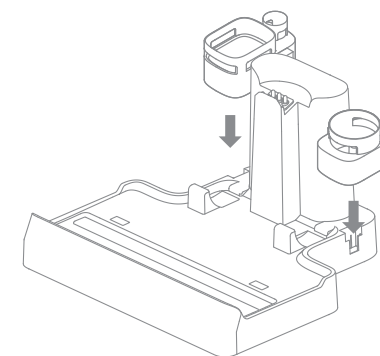
Màu của đèn báo sẽ thay đổi theo thời gian thực tùy theo lượng bụi bắn.

Lưu ý: Nếu thiết bị không hoạt động bình thường, màn hình sẽ hiển thị thông báo sự cố. Vui lòng tham 158 khảo bảng khắc phục sự cố để tìm cách giải quyết.

VI Lắp Ráp

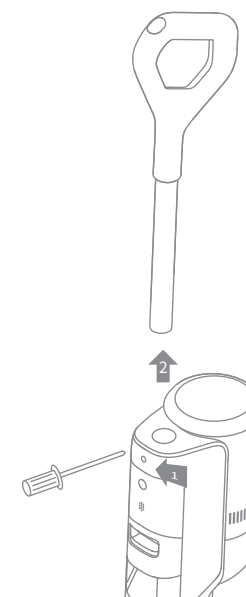
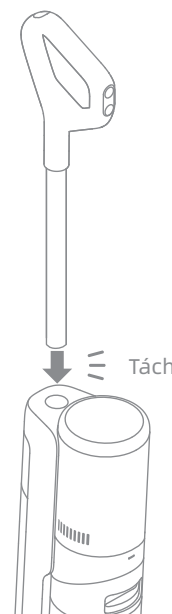
Đang lắp Hộp Bảo Quản

Lắp hộp bảo quản vào để sạc.



Đang lắp Tay Cầm

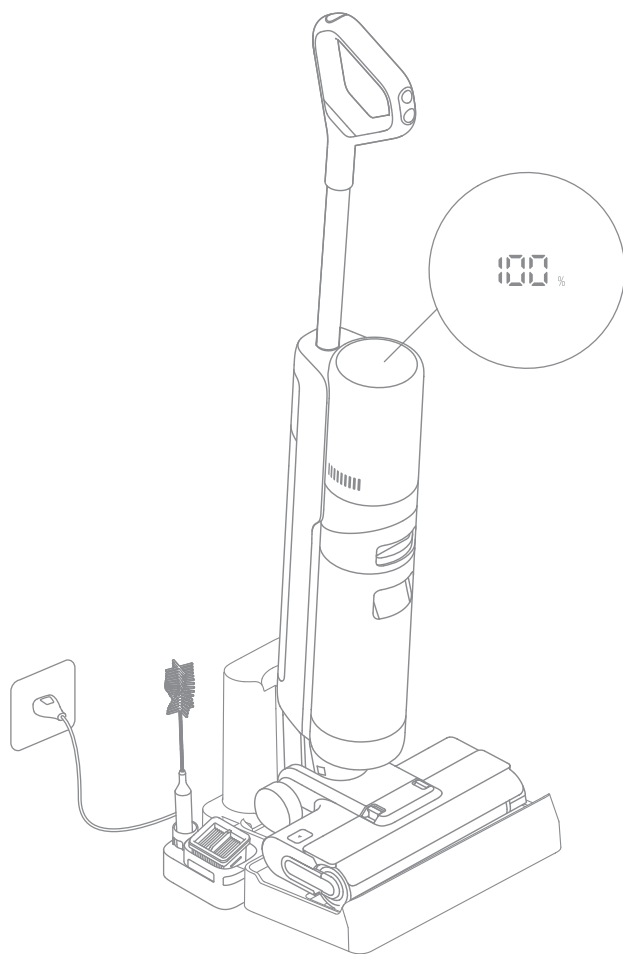
Lắp tay cầm theo chiều dọc vào thân máy như hình đến khi nghe thấy tiếng “tách”.



Lưu ý: Để tháo, hãy dùng một vật cứng cho vào lỗ ở mặt sau của thiết bị để ấn tiếp điểm, đồng thời kéo tay cầm lên.

Sạc Điện

1. Đặt đế trên mặt phẳng sát tường và kết nối nó với ổ cắm điện. Sạc đầy thiết bị trước lần sử dụng đầu tiên.
2. Đặt thiết bị trên đế sạc. Thiết bị phát âm thanh “Bắt đầu sạc” nghĩa là máy đang trong quá trình sạc. Trong quá trình sạc, chữ số trên màn hình hiển thị thể hiện phần trăm mức pin hiện tại. Khi chữ số này đạt 100 tức pin đã được sạc đầy.



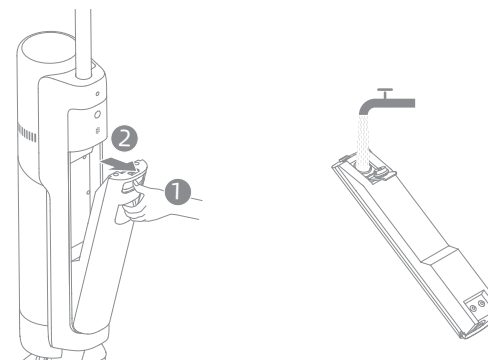
Lưu ý:

- Nếu không có thao tác nào được thực hiện trong vòng 10 phút sau khi sạc đầy, máy hút bụi sẽ chuyển sang chế độ ngủ. Vui lòng khởi động lại thiết bị nếu bạn cần sử dụng.
- Để kéo dài thời gian sử dụng, pin sẽ tự động làm mát trong khoảng một giờ sau khi bạn sử dụng thiết bị trong một thời gian dài.

Cách Sử Dụng

Châm Nước Cho Khay Nước Sạch

- Ấn nút tháo khay nước sạch để lấy khay nước ra khỏi máy. Mở nắp và châm nước sạch vào khay.
- Lắp khay nước sạch lại sao cho khớp như ban đầu.

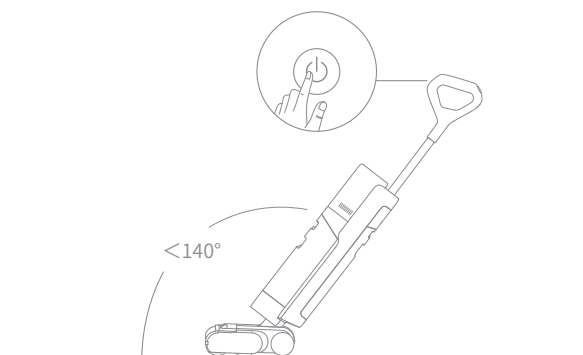


Lưu ý:

- Để cho hiệu quả làm sạch tốt hơn, nên cho 10ml chất tẩy rửa bằng nắp chai vào Khay Nước Sạch đầy nước, sau đó lắc nhẹ và đều rồi sử dụng.
- Không thêm bất kỳ chất lỏng nào khác ngoài chất tẩy rửa được phê duyệt chính thức. Dung dịch lau sàn có sẵn trên cửa hàng trực tuyến chính thức.

Bắt Đầu Làm Sạch

Nhẹ nhàng nhấn chân lên nắp bảo vệ chổi và ngả thiết bị về phía sau. Nhấn công tắc nguồn  để bắt đầu vận hành.

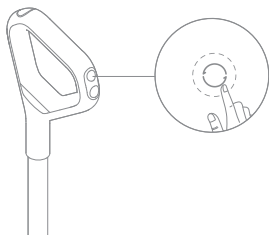


Lưu ý:

- Không dùng máy hút bụi hút chất lỏng có bọt.
- Nếu thiết bị ở tư thế thẳng đứng trong khi làm việc, tác vụ hiện tại sẽ bị tạm dừng.
- Thiết bị phù hợp để làm sạch sàn nhà, đá hoa cương, gạch lát và các bề mặt cứng khác.
- Không được nghiêng thiết bị về phía sau quá 140° để tránh thiết bị bị rò rỉ nước.
- Không nhắc thiết bị lên khỏi mặt đất, di chuyển, nghiêng hoặc đặt trên bề mặt phẳng khi nó đang hoạt động. Làm như vậy có thể khiến nước bắn chảy vào động cơ.

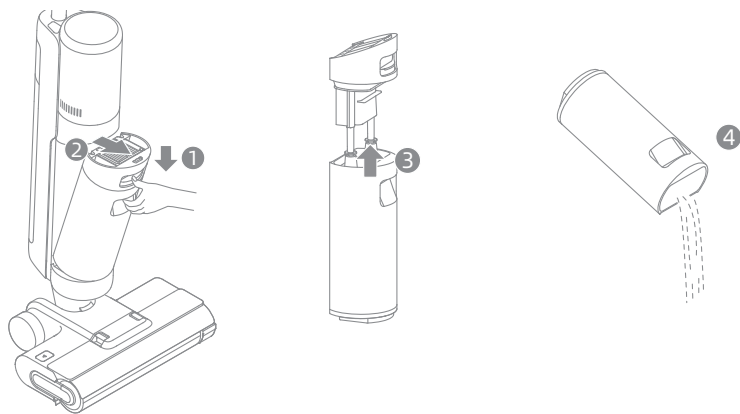
Chuyển Đổi Chế Độ

Theo mặc định, thiết bị được bật ở chế độ Tự động, bạn có thể chuyển sang chế độ hút hoặc siêu mạnh khi cần.




Đổ Khay Nước Bẩn

Ấn nút tháo Khay Nước Bẩn để tháo phụ kiện ra. Tháo nắp khay và đổ nước bẩn ra ngoài. Đóng nắp và lắp lại khay trước khi sử dụng.




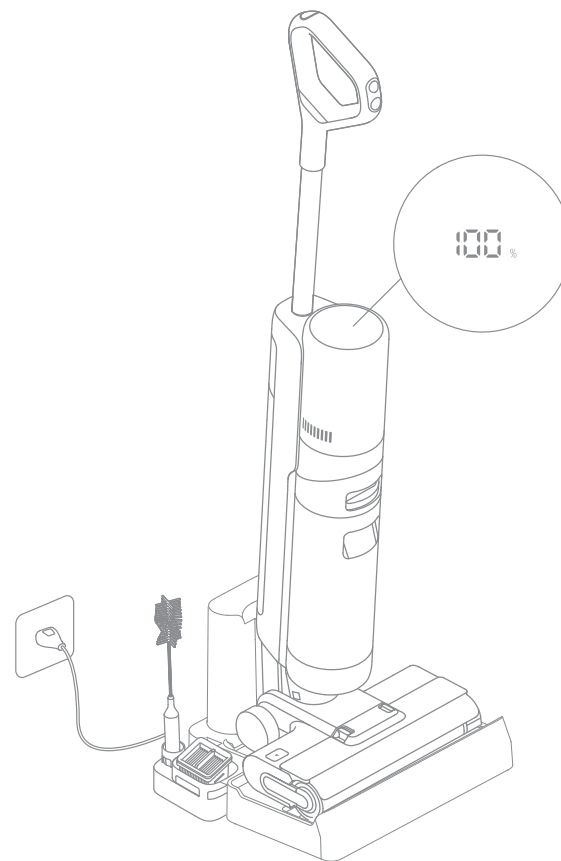
Tự Làm Sạch Bằng Một Nút Bấm

1. Sau khi thiết bị hoàn thành tác vụ làm sạch, hãy đặt nó trở lại đế và đảm bảo nước trong Khay Nước Sạch đủ để tự làm sạch.
2. Ấn nhanh nút tự làm sạch trên đầu tay cầm để bắt đầu/dừng tự làm sạch.
3. Vui lòng đổ sạch Khay Nước Bẩn sau khi hoàn thành quá trình tự làm sạch và chế độ sấy đã được kích hoạt. Ấn nút  để thoát khỏi chế độ sấy.

Lưu ý: Không thể kích hoạt tự làm sạch nếu mức pin thấp hơn 20%.

Chế Độ Sấy

1. Ấn giữ nút tự làm sạch  trong 3 giây để kích hoạt chế độ sấy.
2. Thiết bị sẽ được sạc sau khi quá trình sấy hoàn tất.



Lưu ý:

- Sau khi quá trình tự làm sạch hoàn thành, vệ sinh đế sạc nếu có bất kỳ vết bẩn nào trên đó.
- Nếu vệ sinh chổi lăn thủ công, vui lòng phơi khô trong không khí hoàn toàn hoặc làm khô bằng cách sử dụng chế độ sấy nhiều lần.

Bảo Quản Và Bảo Trì

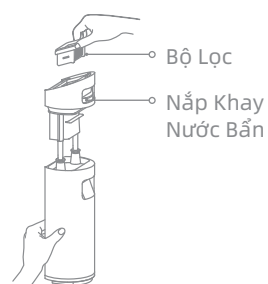
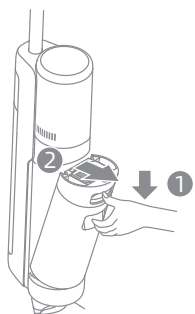
Những Điều Cần Lưu Ý:

- Tắt thiết bị trước khi bảo dưỡng. Không chạm vào công tắc nguồn.
- Khi cần thay thế phụ kiện, hãy sử dụng phụ kiện chính hãng từ nhà sản xuất của chúng tôi.
- Nếu không sử dụng thiết bị trong thời gian dài, hãy sạc đầy, rút phích cắm bộ sạc và bảo quản trong môi trường mát mẻ, có độ ẩm thấp, tránh ánh nắng trực tiếp. Sạc thiết bị ít nhất một lần mỗi 3 tháng để tránh xả pin quá mức.

Vệ sinh khay nước bẩn và Bộ Lọc

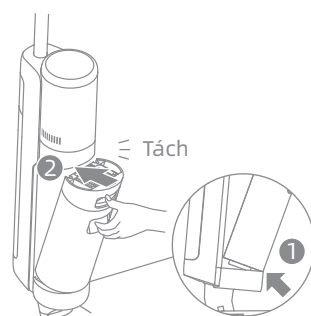
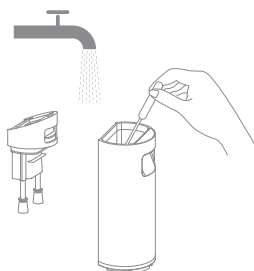
1. Ấn nút để tháo khay nước bẩn ra.

2. Lấy bộ lọc ra khỏi nắp Khay Nước Bẩn. Tháo nắp khay và đổ nước bẩn ra ngoài.



3. Dùng nước sạch rửa khay nước bẩn và nắp. Sử dụng bàn chải làm sạch đi kèm để vệ sinh thành bên trong của khay.

4. Đóng nắp khay nước bẩn và lắp lại đúng vị trí.



Lưu ý:

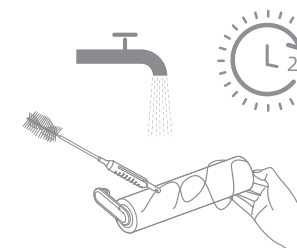
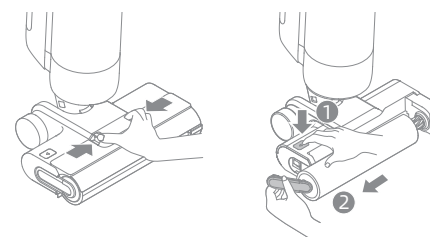
- Khi bộ lọc bị bẩn, hãy rửa bằng nước sạch và phơi khô. Bộ lọc phải khô hoàn toàn trước khi sử dụng.
- Nên thay bộ lọc mỗi 3 đến 6 tháng sử dụng.

Bảo Quản Và Bảo Trì

Vệ Sinh Chi Tiết Chổi Lăn

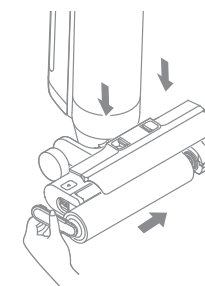
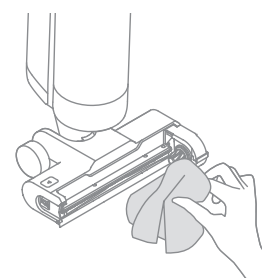
1. Đầu tiên, ấn nút mở nắp chổi lăn ở hai bên vào trong để tháo nắp chổi lăn. Tiếp theo, ấn nút tháo chổi lăn sau đó tay cầm chổi lăn sẽ bật ra. Kéo tay cầm để lấy chổi lăn ra.

2. Dùng chổi vệ sinh đi kèm làm sạch tóc và mảnh vụn trên chổi lăn. Rửa sạch chổi lăn bằng nước sạch. Phơi khô chổi lăn trong không khí hoặc làm khô bằng cách sử dụng chế độ sấy nhiều lần.



3. Dùng vải khô hoặc khăn giấy lau sạch miệng hút. Không dùng nước rửa chi tiết chổi.

4. Sau khi làm sạch chổi lăn, lắp lại chổi lăn và nắp chổi lăn. Bạn sẽ nghe tiếng tách khi chúng được lắp vào đúng vị trí.

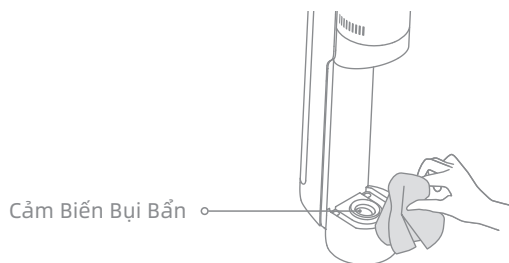


Lưu ý:

- Vệ sinh khi cần thiết. Nên sử dụng luân phiên hai chổi lăn đi kèm.
- Nên thay chổi lăn mỗi 3 đến 6 tháng sử dụng.

Làm Sạch Đường Ống và Cảm Biến Bụi Bắn

Tháo Khay Nước Bắn, dùng khăn ẩm lau sạch đường ống và cảm biến bụi bắn trước khi sử dụng.







Nếu xảy ra lỗi, thiết bị sẽ dừng làm việc. Vui lòng tham khảo bảng sau để khắc phục sự cố. Nếu vấn đề vẫn tồn tại, vui lòng liên hệ với bộ phận CSKH.

Lỗi	Nguyên Nhân Có Thể	Biện Pháp Xử Lý
Thiết bị không làm việc.	Thiết bị hết pin hoặc mức pin thấp.	Sạc đầy pin trước khi sử dụng.
	Thiết bị hết pin hoặc mức pin thấp.	Nghiêng thiết bị về phía sau.
	Chế độ bảo vệ quá nhiệt được kích hoạt do tắc nghẽn.	Vệ sinh tất cả vật gây tắc nghẽn và đợi cho đến khi nhiệt độ trở lại bình thường.
	Khay Nước Bắn đã đầy.	Đổ Khay Nước Bắn.
	Các bộ phận chưa được cài đặt đúng cách.	Đảm bảo tất cả các bộ phận đều ở đúng vị trí.
Thiết bị sạc chậm.	Nhiệt độ pin quá thấp hoặc quá cao.	Chờ cho đến khi nhiệt độ pin trở lại bình thường.
Công suất hút của thiết bị yếu.	Bộ lọc bị nghẹt.	Vệ sinh Bộ Lọc
	Miệng hút bị tắc do vật lạ.	Vệ sinh đường ống và miệng hút.
Động cơ điện phát ra tiếng ồn lạ.	Khay Nước Bắn có quá nhiều nước bắn.	Đổ Khay Nước Bắn.
	Miệng hút bị tắc.	Làm sạch tất cả dị vật bên trong miệng hút.
Đèn báo mức bắn có màu đỏ đậm.	Cần làm sạch cảm biến bụi bắn.	Cảm biến bụi bắn nằm trong đường ống. Làm theo hướng dẫn vệ sinh đường ống.
	Nồng độ chất tẩy rửa quá cao.	Pha loãng chất tẩy rửa với nước theo tỷ lệ khuyến nghị.
	Dung dịch tẩy rửa của bên thứ ba tạo ra một lượng lớn bọt.	Chỉ sử dụng chất tẩy rửa được phê duyệt chính thức.
Màn hình hiển thị không sáng khi sạc.	Phích cắm của đế sạc không được cắm vào ổ cắm điện đúng cách.	Đảm bảo phích cắm của đế sạc được cắm đúng cách.
	Thiết bị chưa được đặt lên đế sạc đúng cách.	Đảm bảo thiết bị được đặt lên đế sạc đúng cách.

Không có nước chảy ra từ thiết bị.	Khay Nước Sạch chưa được lắp đúng cách hoặc không đủ nước trong Khay Nước Sạch.	Lắp lại hoặc châm thêm nước cho Khay Nước Sạch.
	Mất khoảng 30 giây để làm ấm chổi lăn.	Bật thiết bị và kiểm tra lại trong 30 giây.
Lỗi thông hơi bị rò rỉ nước.	Một va chạm hoặc lực kéo mạnh làm cho nước vào động cơ.	Di chuyển thiết bị tới lui nhẹ nhàng khi bật.
	Bộ lọc chưa khô hoàn toàn sau khi vệ sinh.	Phơi khô bộ lọc hoàn toàn trước khi sử dụng.
Tự làm sạch thất bại.	Chổi lăn có thể bị kẹt bởi các mảnh vụn lớn.	Mở nắp chổi để kiểm tra và vệ sinh chổi lăn.
	Thiết bị chưa được đặt lên đế sạc đúng cách.	Đảm bảo thiết bị được sạc trước khi kích hoạt chức năng tự làm sạch.
	Không thể kích hoạt tự làm sạch nếu mức pin thấp hơn 20%.	Chỉ có thể kích hoạt chức năng tự làm sạch khi thiết bị được sạc và mức pin còn trên 20%.
	Khay Nước Bắn chưa được lắp đúng cách hoặc Khay Nước Bắn đã đầy.	Lắp lại Khay Nước Bắn hoặc đổ sạch nước trong khay.
	Khay Nước Sạch chưa được lắp đúng cách hoặc không đủ nước trong Khay Nước Sạch.	Lắp lại hoặc châm thêm nước cho Khay Nước Sạch.
Hiệu suất sấy kém.	Lỗ thoát khí và lỗ lấy khí của đế sạc có thể bị tắc.	Kiểm tra và vệ sinh vật gây tắc nghẽn lỗ thoát khí và lỗ lấy khí.

Để được hỗ trợ thêm, vui lòng liên hệ với chúng tôi qua aftersales@dreame.tech <https://global.dreame.tech>

Nếu thiết bị không hoạt động bình thường, màn hình sẽ hiển thị thông báo sự cố. Vui lòng tham khảo bảng khắc phục sự cố để tìm cách giải quyết.

Biểu Tượng Sự Cố	Nguyên Nhân Có Thể	Biện Pháp Xử Lý
	Khay Nước Sạch không đủ nước	Châm nước cho Khay Nước Sạch.
	Khay Nước Bắn đã đầy	Đổ Khay Nước Bắn.
	Chổi lăn bị kẹt	Vệ sinh chổi lăn bằng chổi làm sạch đi kèm.
	Đường ống bị tắc nghẽn	Kiểm tra xem bộ lọc có bị tắc hay không. Ngoài ra, hãy làm sạch ống và cảm biến bụi bắn.

Mã Lỗi	Nguyên Nhân Có Thể	Biện Pháp Xử Lý
E1-E7	Lỗi	Khởi động lại thiết bị để xử lý sự cố. Nếu vấn đề vẫn tồn tại, vui lòng liên hệ với bộ phận CSKH.
H1-H6		
H7	Pin quá nóng	Chờ cho đến khi nhiệt độ pin trở lại bình thường, sau đó tiếp tục sử dụng.

Máy Hút Bụi			
Mã Sản Phẩm	HHR30B	Thời Gian Sạc	khoảng 5-6 giờ
		Thời Gian Sấy Khô	1 giờ
Điện Áp Định Mức	21,6 V ===	Công Suất Sạc	27 V===
Công Suất Định Mức	300 W	Dung Tích Khay Nước Bẩn	700 mL
		Dung Tích Khay Nước Sạch	900 mL
Để Sạc			
Mã Sản Phẩm	HCBG	Công Suất Định Mức	130 W
Đầu Vào Định Mức	220-240 V ~ 50-60 Hz	Đầu Ra Định Mức	27 V=== 0,9 A

Công suất định mức được đo trong khoảng thời gian đại diện khi thiết bị hoạt động hết công suất lúc đầu, với chức năng sạc và sấy khô được bật cùng lúc.

Pin lithium-ion tích hợp chứa các chất độc gây hại cho môi trường. Trước khi loại bỏ pin, vui lòng đảm bảo pin được tháo bởi kỹ thuật viên có trình độ chuyên môn và loại bỏ tại cơ sở tái chế thích hợp.

- Phải tháo pin ra khỏi thiết bị trước khi loại bỏ;
- Phải tắt thiết bị trong quá trình tháo pin;
- Pin phải được xử lý một cách an toàn.

Hướng Dẫn Tháo Bỏ

1. Dùng dụng cụ xoay màn hình hiển thị để tháo nó ra.
2. Lăn lượt tháo vít trên nắp pin rồi dùng dụng cụ thích hợp cạy mở nắp.
3. Rút phích cắm giữa cực pin và bảng mạch PCB để tháo pin.

LƯU Ý:

- Trước khi tháo pin, hãy ngắt nguồn điện và xả hết pin tối đa có thể.
- Pin không dùng phải được loại bỏ tại một cơ sở tái chế thích hợp.
- Không để pin tiếp xúc với môi trường nhiệt độ cao để tránh nguy cơ cháy nổ.
- Trong tình huống bị vỡ, chất lỏng có thể bị chảy ra khỏi pin. Nếu xảy ra tiếp xúc, hãy rửa sạch bằng nước và tìm kiếm trợ giúp y tế.