

---

项目名称

P2259 欧版

---

版本号

V0.2

---

设计时间

2021/06/01

---

物料名称

说明书

---

设计师

文也

---

审核

---

批准

---

---

料号

04170500000377

---

材质工艺要求:

封面157g 哑粉纸 单面过油

内文68g 哑粉纸 胶装

颜色及专色: CMYK 四色印刷

尺寸要求: 210mm\*140mm

---

注：此页面非印刷内容

- The word "dreame" is the abbreviation of Dreame Technology Co., Ltd. and its subsidiaries in China. It is the transliteration of the company's Chinese name " 追觅 ", which means striving for excellence in every endeavor and reflects the company's vision of continuous pursuit, exploration and search in technology.
- Das Wort "dreame" ist die Abkürzung von Dreame Technology Co., Ltd und seinen Tochterunternehmen in China. Es ist die Transliteration des chinesischen Namens " 追觅 " dieser Firma, was für das Streben nach Vollendung steht und die Vision des Unternehmens widerspiegelt, nämlich im Bereich der Technologie unaufhaltsam weiterzustreben, zu erforschen und entdecken.
- Dreame est l'abréviation de l'entreprise chinoise Dreame Technology Co., Ltd. et ses filiales, qui est la traduction phonétique du nom chinois de l'entreprise « 追觅 », reflétant la vision de l'entreprise qui consiste à poursuivre, explorer et rechercher constamment les avancées technologiques.
- La parola "dreame" è l'abbreviazione dell'azienda Dreame Technology Co., Ltd. e delle sue filiali in Cina. È la traslitterazione del nome cinese dell'azienda " 追觅 ", che dimostra la continua ricerca, esplorazione e visione di ricerca dell'azienda nella tecnologia.
- La palabra "dreame" es la abreviatura de Dreame Technology Co., Ltd. y sus subsidiarias en China. Es la transliteración del nombre chino de " 追觅 ", que significa luchar por la excelencia en cada esfuerzo y refleja la visión de la compañía de continuamente buscar, explorar e investigar en tecnologías.
- Dreame — сокращённое название китайской компании Dreame Technology Co., Ltd. и ее дочерних предприятий. Dreame является транслитерацией названия компании на китайском языке « 追觅 », в котором отражено корпоративное видение компании в сфере науки и технологий — непрерывный поиск, исследования и стремление к успеху.
- Słowo "dreame" to skrót od Dreame Technology Co., Ltd. i spółek w Chinach. Jest to transliteracja chińskiej nazwy firmy " 追觅 " co oznacza dążenie do doskonałości w każdym przedsięwzięciu, odzwierciedlając wizję firmy, jaką jest ciągłe prowadzenie, odkrywanie i poszukiwania w nauce i technologii.
- A palavra "dreame" é a abreviatura da Dreame Technology Co., Ltd. também é a tradução do seu nome chinês " 追觅 ", o que significa buscar a excelência em todos os empreendimentos e reflète a visão da empresa de busca, exploração e criação da tecnologia.

• دريم هي مؤسسة صينية ويطلق على شركة دريم للتكنولوجيا المحدودة والشركات التابعة لها، وتعكس الترجمة الصوتية للمسمى الصيني " 追觅 " رؤية الشركة للمستمر والاكتشاف والبحث في التكنولوجيا.



For more information, please visit [www.dreame-technology.com](http://www.dreame-technology.com)

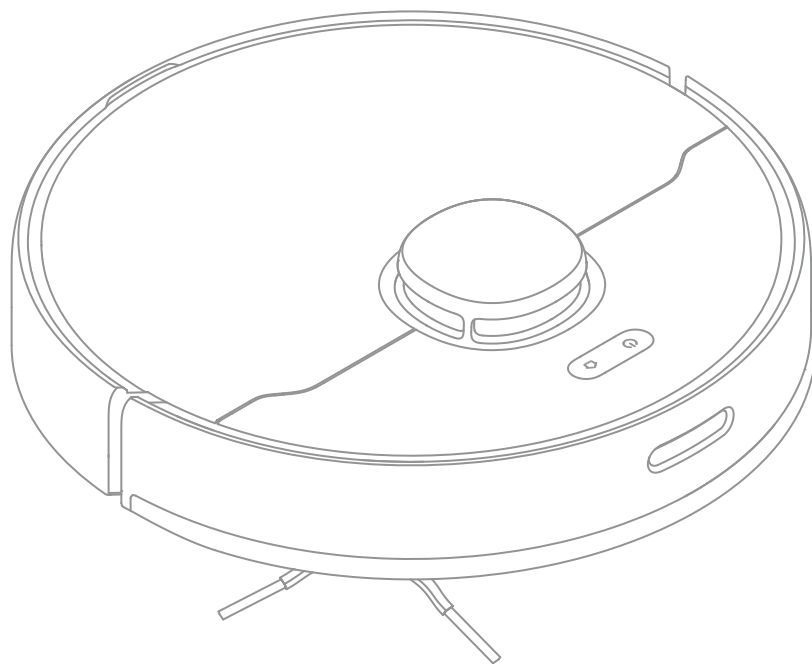
Manufactured by: Dreame Trading (Tianjin) Co., Ltd.

Made in China

RLS5-BL1-EU-R00

# Dreame Bot D9 Max

## Robot Vacuum and Mop User Manual



Read this manual carefully before use and keep it for future reference.

**dreame**

EN	User Manual	1
DE	Benutzerhandbuch	20
FR	Manuel d'utilisation	39
IT	Manuale utente	58
ES	Manual de usuario	77
RU	Руководство пользователя	96
PL	Instrukcja obsługi	116
PT	Manual do utilizador	135
SA	دليل المستخدم	154

## Safety Information

### Usage Restrictions

This product can be used by children aged 8 years and above and persons with physical, sensory, intellectual deficiencies, or limited experience or knowledge under the supervision of a parent or guardian to ensure safe operation and to avoid any risks. Cleaning and maintenance shall not be done by children without supervision.

Children shall not play with this product. Ensure children and pets are kept at a safe distance from the robot while it is operating.

This product is for floor cleaning in a home environment only. Do not use it outdoors, on non-floor surfaces, or in a commercial or industrial setting.

Do not use the robot in an area suspended above ground level without a protective barrier.

Do not use the robot at an ambient temperature above 40° C or below 0° C or on a floor with liquids or sticky substances.

Pick up any cables from the floor before using the robot to prevent it from dragging them while cleaning.

Remove fragile or small items from the floor to prevent the robot from bumping into and damaging them.

Keep hair, fingers, and other body parts away from the suction opening of the robots.

Keep the brush cleaning tool out of reach of children.

Do not place children, pets, or any item on top of the robot regardless of whether it is stationary or moving.

## Safety Information

- Usage Restrictions**
- Do not use the robot to clean any burning objects.
  - Do not vacuum hard or sharp objects.
  - Make sure the robot is turned off and the charging dock is unplugged before cleaning or performing maintenance.
  - Do not wipe any part of the product using a wet cloth or liquids.
  - Please use this product in accordance with the instructions in the User Manual.
  - Users are responsible for any loss or damage that arise from improper use of this product.

## Safety Information

### Batteries and Charging

Do not use any third-party battery, charger, or charging dock. Use only with RCS0 supply unit.

Do not attempt to disassemble, repair, or modify the battery or charging dock on your own.

Do not place the charging dock near a heat source.

Do not use a wet cloth or wet hands to wipe or clean the dock's charging contacts.

Do not improperly dispose of old batteries. Unneeded batteries should be discarded at an appropriate recycling facility.

If the power cord becomes damaged or broken, stop using it immediately and contact after-sales service.

Make sure the robot is turned off when being transported and kept in its original packaging if possible.

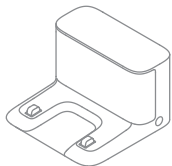
If the robot will not be used for an extended period, fully charge it, then turn it off and store in a cool, dry place. Recharge the robot at least once every 3 months to avoid over-discharging the battery.

This product contains batteries that can only be replaced by qualified technicians or after-sales service.

Hereby, Dreame Trading (Tianjin) Co., Ltd. declares that the radio equipment type RLS5-BL1 is in compliance with Directive 2014/53/EU. The full text of the EU declaration of conformity is available at the following internet address: [www.dreame-technology.com](http://www.dreame-technology.com)  
For detailed e-manual, please go to <https://www.dreame-technology.com/pages/user-manuals-and-faqs>

# Product Overview

## Accessories



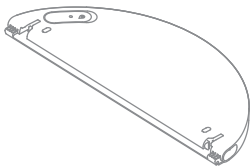
Charging Dock



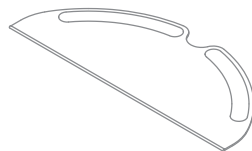
Cleaning Tool



Power Cord



Water Tank



Mop Pad



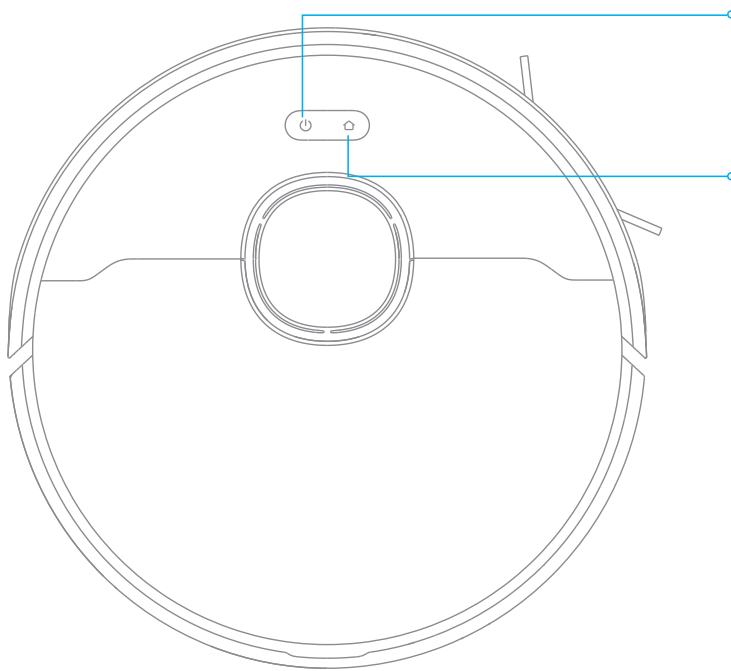
Side Brush

**Note:** The illustrations in this manual are for reference only. Please refer to the actual product.



# Product Overview

## Robot



### Power/Clean Button

- Press and hold for 3 seconds
- Press to begin cleaning after the robot is powered on

### Dock Button/Spot Clean Button

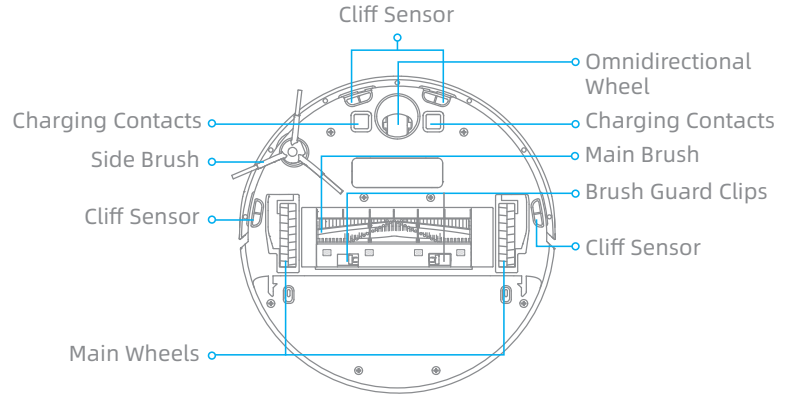
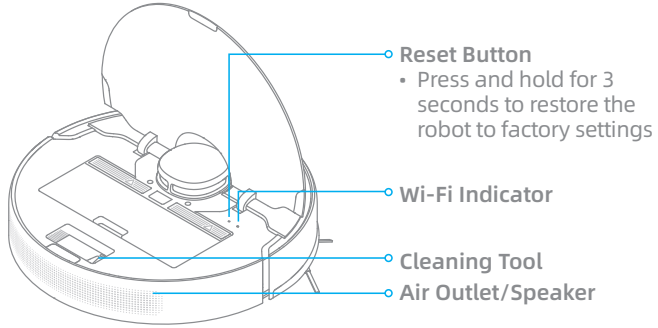
- Press to send robot back to the charging dock
- Press and hold for 3 seconds to start Spot Clean Mode

### Status Indicator

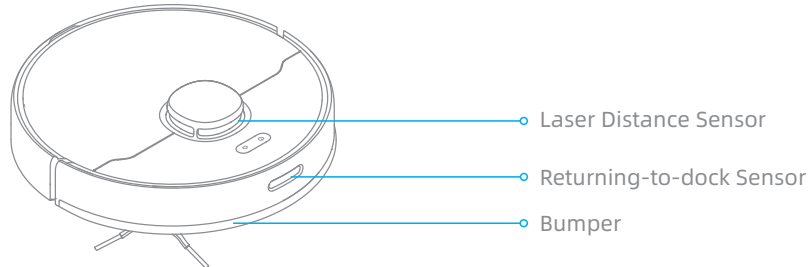
- White: Cleaning/ Cleanup is completed/ Charging is completed
- Blinking White: Return to dock to charge when the battery power is not low
- Breathing White: Vacuum is charging when the battery power is not low
- Blinking Orange: Return to dock to charge when the battery power is low/Error
- Breathing Orange: Vacuum is charging when the battery power is low

# Product Overview

## Robot

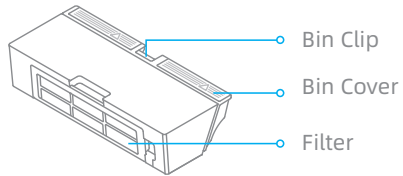


## Robot Sensors

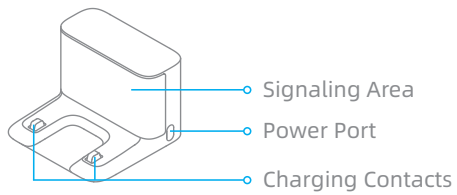


# Product Overview

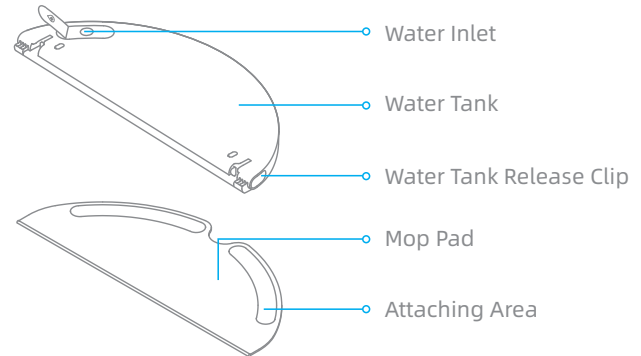
## Dust Bin



## Charging Dock



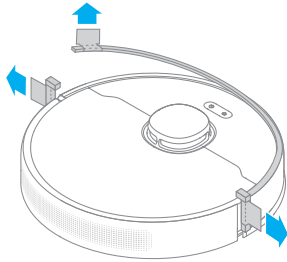
## Mopping Module



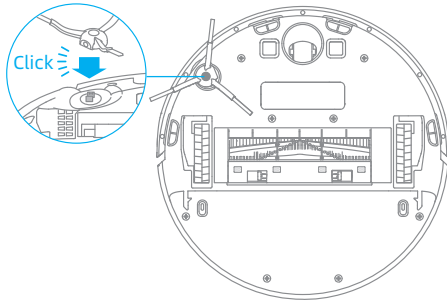
# Preparation Before Use

## 1. Remove the protective film

Remove the protective films on the robot.

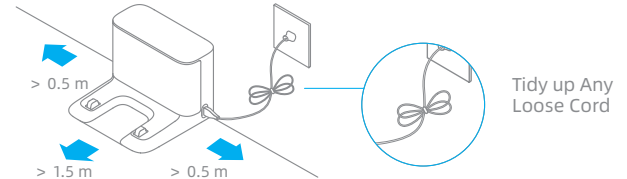


## 2. Install the side brush



**Note:** Install the side brush until it clicks into place.

## 3. Place the charging dock on the level ground against the wall and connect it to a power outlet



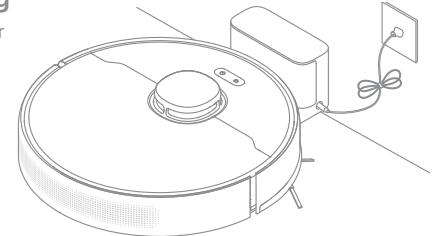
**Note:**

- Keep the immediate area 1.5m in front of the charger and 0.5m to both sides of the charging dock clear of objects.
- To ensure you can connect to the robot with your phone well, make sure the robot and charging dock are within the range of Wi-Fi.
- Do not place the charging dock in an area with direct sunlight or where other objects might block the signal, as this may hinder the robot from returning to the charging dock.

## 4. Place the robot onto the charging dock to recharge. The robot will turn on automatically and begin recharging

 Battery Level Indicator

- White: Battery level is more than 15%
- Orange: Battery level is less than 15%



**Note:**

- Fully charge your robot before first-time use.
- Don't install the mopping module while charging. Be extra careful with wet mop as it can damage the floor.

# Connecting with Mi Home/Xiaomi Home App

This product works with the Mi Home/Xiaomi Home app. \* Use the Mi Home/Xiaomi Home app to control your device and to interact with other smart home devices.

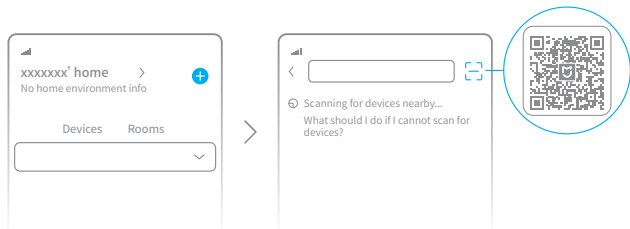
## 1. Download the Mi Home/Xiaomi Home App

Scan the QR code to download and install the app. You will be directed to the connection setup page if the app has been installed already. Alternatively, search "Mi Home/Xiaomi Home" in the app store to download and install it.



## 2. Add Device



Open the Mi Home/Xiaomi Home app, and tap "+" in the upper right. Then tap "🔍" in the top right corner, scan the QR code, add "Dreame Bot D9 Max", and follow the prompts to finish the connection.

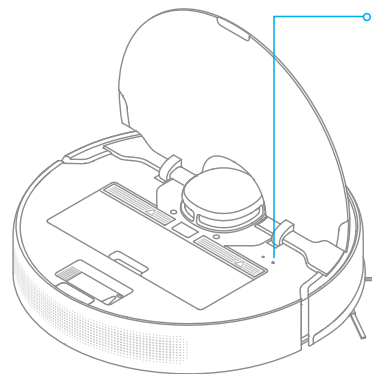


### Note:

- Only 2.4GHz Wi-Fi is supported.
- The version of the app might have been updated. Please follow the instructions based on the current app version.

## 3. Reset Wi-Fi

Simultaneously press and hold the buttons  and  until you hear a voice say, "Waiting for the network configuration." Once the Wi-Fi indicator is blinking slowly, the Wi-Fi has been successfully reset.





- Wi-Fi Indicator
  - Blinking slowly: To be connected
  - Blinking quickly: Connecting
  - On: Wi-Fi connected


**Note:** If your robot cannot connect to the app successfully, reset the Wi-Fi and add the device again.

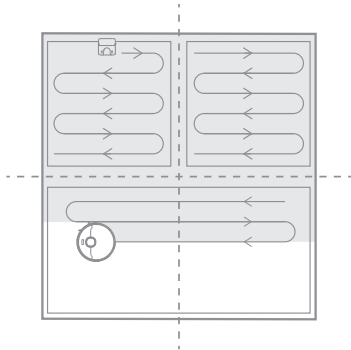
# How to Use

## 1. Turn On/Off

Press and hold the button  for 3 seconds to turn on the robot. Once the power indicator turns solid white, the robot is in standby mode. To turn off the robot, press and hold the button  for 3 seconds when the robot is not moving. Turning off the robot will end the current cleaning task.

## 2. Start Cleaning

Press the button  briefly to turn on the robot. Upon activation, the robot will accurately map out a route, methodically clean along the edges and walls, then finish by cleaning each room in an S-shaped pattern to ensure a thorough job.



**Note:** If the battery is too low, the robot will automatically return to the dock to charge. It will resume unfinished cleaning tasks after charging to the necessary battery level. (The breakpoint continuous cleaning function must be enabled on the app in advance.)

## 3. Cleaning Mode

Dreame Bot D9 Max has four cleaning modes: Quiet, Standard, Strong and Turbo. The default mode is Standard. You can specify the cleaning mode in the Mi Home/Xiaomi Home app.

## 4. Pause/Sleep Mode

**Pausing:** Press any button to pause the robot during cleaning.  
**Sleep Mode:** The robot will automatically enter Sleep Mode after 10 minutes of inactivity, then the power and charging indicators will go off. To wake up the robot, press any button.

### Note:

- The robot will turn off automatically if left in Sleep Mode for more than 12 hours.
- When the robot is paused, placing it onto the charging dock will end the current cleaning task.

## 5. Do Not Disturb Mode


Do Not Disturb Mode prevents the robot from automatically starting cleaning tasks, and the power indicator remains off. You can enable Do Not Disturb Mode or modify its hours in the app. (The mode is on by default from 22:00 to 08:00.)

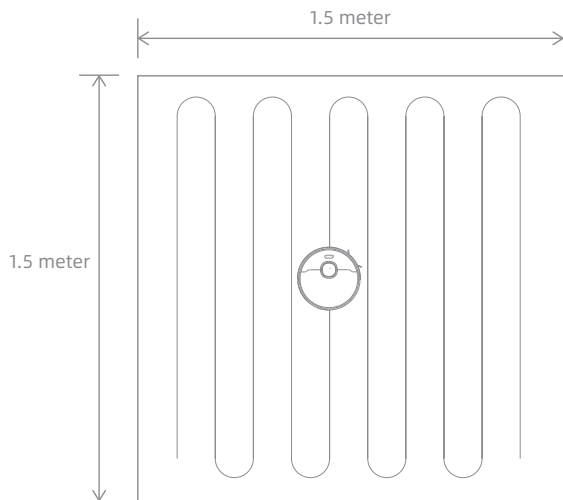
### Note:

- Scheduled cleaning tasks will still be carried out during the DND period.
- The robot will continue cleaning after the DND period ends.

## How to Use

### 6. Spot Clean Mode

When the robot is paused or in Standby Mode, press and hold the button  for 3 seconds to start Spot Clean Mode. In this mode, it will clean a square-shaped area of 1.5 × 1.5 meters directly around the robot. When the spot cleaning is done, the robot will automatically return to its original location and power off.



**Note:** Activating Spot Clean Mode will end the current cleaning task of the robot.

### 7. Scheduled Cleaning

You can schedule cleaning time in the Mi Home/Xiaomi Home app. The robot will automatically start cleaning at the designated time and then return to the charging dock to recharge when the cleaning is done.

### 8. Additional App Functions

Follow the instructions on the app interface to use more functions.

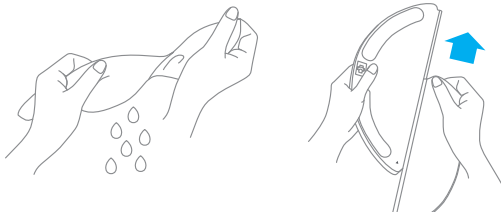
The version of the app might have been updated; please follow the instructions based in the current app version.

# How to Use

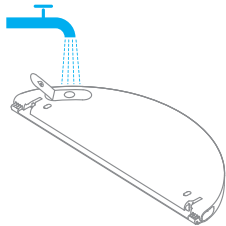
## 9. Use the Mopping Function

It is recommended that all floors are vacuumed at least three times before the first mopping session to achieve a better cleaning effect.


1) Dampen the mop pad and wring out excess water. Slide the pad all the way into the slot of the water tank until it is securely in place.

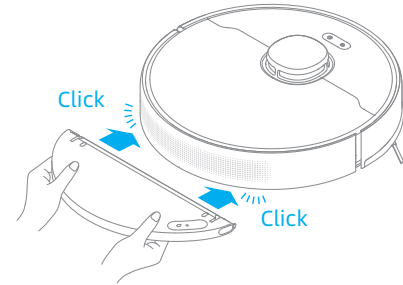


2) Open the water tank lid, fill the tank with water, then securely close the lid.



**Note:** Do not use detergent or disinfectant.

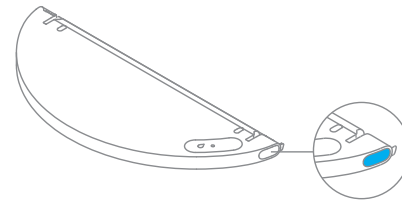
3) Align the mopping module as indicated by the arrow, then slide it into the robot until it clicks into place. Press the button  or use the Mi Home/Xiaomi Home app to start cleaning.



**Note:**

- It is not recommended to use the mopping function on carpets.
- Use the app to adjust the water flow as required.

4) Press the two side clips inwards and slide the water tank backwards to separate it from the robot.



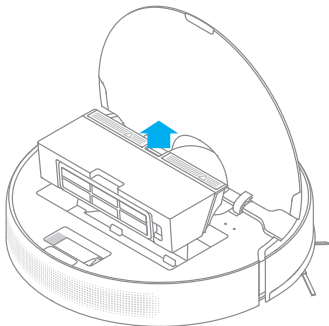
**Note:** When the robot is charging or not in use, remove the mopping module, pour out all the remaining water in the tank, and clean the mop pad to prevent mildew or odor.



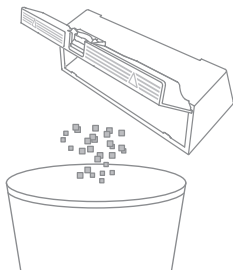
# Routine Maintenance

## Clean the Dust Bin and Filter

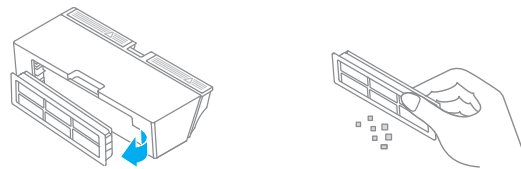
1. Open the robot cover, then press the dust bin clip to remove the dust bin.



2. Open the dust bin cover as indicated by the diagram.

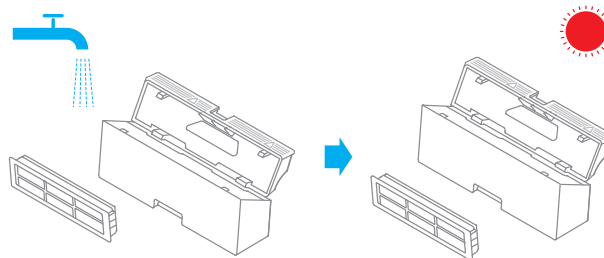


3. Remove the filter and tap its basket gently.



**Note:** Do not attempt to clean the filter with a brush or finger.

4. Rinse the dust bin and filter with water until they are clean. Thoroughly dry the filter before re-installing.



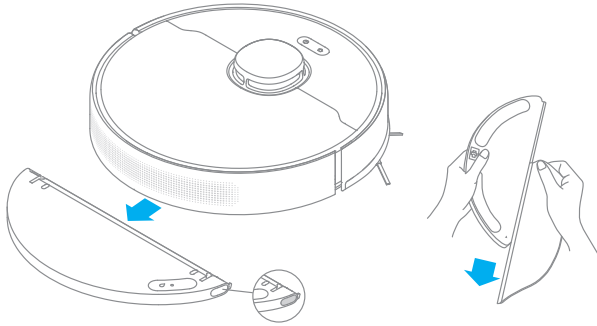
**Note:**

- Only clean water should be used to clean the filter. Do not use detergent.
- Keep it in a well-ventilated or cool place.

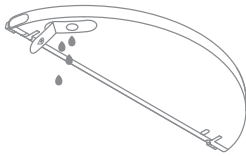
## Routine Maintenance

### Clean the Mopping Module

1. Press the two release clips on the side of water tank, remove the mopping module and pull the mop pad off the mopping module.

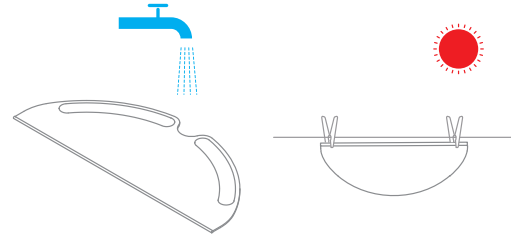


2. Pour out the water in the tank. Clean with water only and leave to air dry before re-installing.



**Note:** Do not expose the tank to the sun directly.

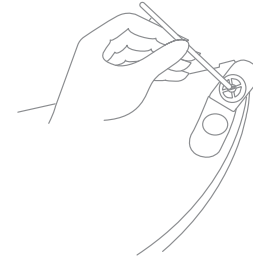
3. Clean the mop pad with water only and leave to air dry before re-installing.



**Note:**

- Remove the pad from the mopping module before cleaning it, and make sure dirty water does not flow back into the water outlet to avoid clogging.
- For optimal performance, it is recommended to replace the mop pad every 3 to 6 months.

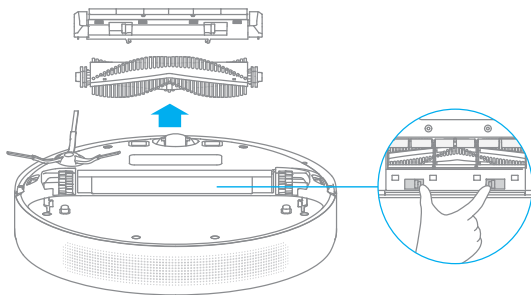
4. If slow water flow occurs, or the volume is not well-distributed, please clean the air hole in the cover of the water tank.



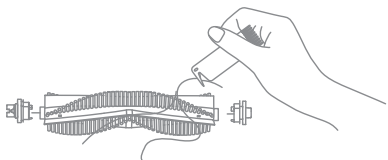
## Routine Maintenance

### Clean the Main Brush

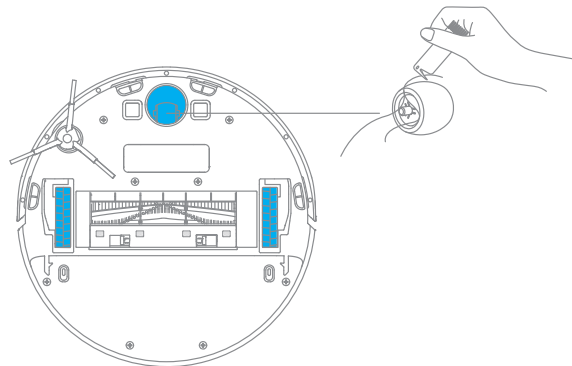
Press the brush guard clips inwards to remove the brush guard and lift the brush out of the robot.



Pull out the brush cover as shown in the diagram. Use the included cleaning tool to remove any hairs tangled in the brush.



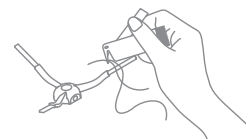
### Clean the Main Wheel / Omnidirectional Wheel



**Note:** Use a tool such as a small screwdriver to separate the axle and the tire.

### Clean the Side Brush

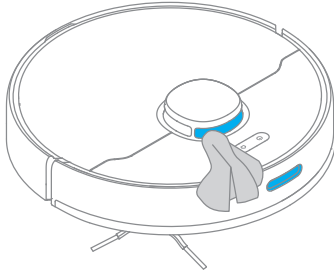
Pull out the side brush and use the included cleaning tool to remove any hair tangled on the brush.



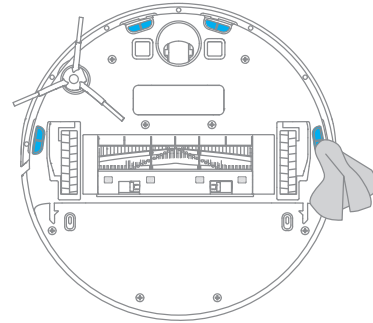
## Routine Maintenance

**Note:** Wet cloths can damage sensitive elements within the robot and charging dock. Please use dry rags for cleaning.



### Clean the Laser Distance Sensor/ Returning-to-dock Sensor



### Clean the Cliff Sensor



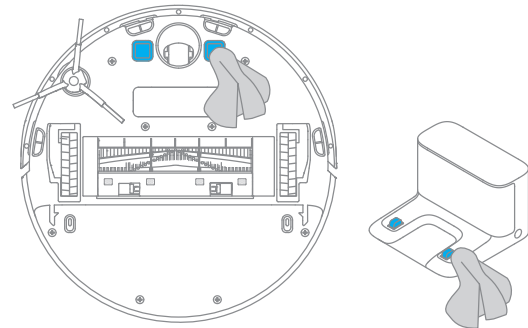
### Robot Restarting

If the robot stops responding or cannot be turned off, press and hold down the button  for 10 seconds to forcefully turn it off. Then press and hold the button  for 3 seconds to turn the robot on.

### Battery

The robot contains a high-performance lithium-ion battery pack. Please ensure that it remains well-charged for daily use to maintain optimal battery performance. If the robot is not used for an extended period of time, turn it off and put it away. To prevent damage from over-discharging, the robot should be recharged at least once every three months.

### Clean the Charging Contact



Problem Type	Solution
Robot does not turn on	Battery level is low. Recharge the robot at the charging dock, then try again. The ambient temperature is too low (below 0 ° C) or too high (above 40 ° C). The operating temperature of the robot is 0° C to 40° C.
Robot does not recharge	The charging dock is not receiving power. Please confirm that both ends of the power cord are plugged in correctly. Poor contact. Clean the charging contacts of the charging dock and the robot.
Robot does not return to charging dock	There are too many obstructions around the charging dock. Place the charging dock in a more open area. Please clean the dock's signaling area.
Robot is malfunctioning	Turn off the robot and then reactivate it.
Robot is making a strange noise	A foreign object may be caught in the main brush, side brush, or one of the main wheels. Stop the robot and remove any debris.
Robot no longer cleans efficiently or leaves dust behind	The dust bin is full. Please clean it. The filter is blocked. Please clean it. A foreign object is caught in the main brush. Please clean it.
Robot cannot connect to Wi-Fi	There is something wrong with the Wi-Fi connection. Reset the Wi-Fi and download the latest version of the Mi Home/Xiaomi Home app, then try reconnecting. Location permission is not open. Please ensure the location permission on the Mi Home/Xiaomi Home app is enabled. Wi-Fi signal is weak. Make sure the robot is in an area with good Wi-Fi coverage. 5GHz Wi-Fi is not supported. Please ensure your robot connects to 2.4GHz Wi-Fi. The username or password of Wi-Fi is incorrect. Please enter the correct username and password.

Problem Type	Solution
Robot does not perform scheduled cleaning	The robot has low battery. Scheduled cleaning will not start unless the robot has been recharged in time.
Does leaving the robot on the charging dock consume power if it is already fully charged?	Leaving the robot on the charging dock after it's fully charged consumes very little electricity and helps maintain optimal battery performance.
No water comes out of the mopping module, or only a little bit comes out	<p>Confirm that the water tank is filled with water, and clean the mop pad if necessary.</p> <p>Clean the mop if it becomes dirty.</p> <p>Make sure the mop pad is installed correctly according to the user manual.</p> <p>Clean the blowhole on the top of the water tank.</p>
Robot doesn't resume cleaning after charging	<p>Make sure the robot is not set to Do Not Disturb Mode, which will prevent it from resuming cleaning.</p> <p>The robot does not resume cleaning when it is manually recharged or placed onto the charging dock.</p>
Robot doesn't return to charging dock after being moved	Moving the robot may cause it to re-position itself or re-map its surroundings. If the robot is too far from the charging dock, it might not be able to automatically return on its own, in which case you need to manually place the robot onto the charging dock.

# Specifications

## Robot

Model	RLS5-BL1
Battery	5200 mAh (Battery Nominal Capacity)
Charging Time	Approx. 6 hours
Wireless Connectivity	Wi-Fi IEEE 802.11b/g/n 2.4 GHz
Rated Voltage	14.4 V $\overline{=}$
Rated Power	40 W
Operation Frequency	2400-2483.5 MHz
Maximum Output Power	< 20 dBm

## Charging Dock

Model	RCS0
Rated Input	100-240 V ~ 50/60 Hz 0.5 A
Rated Output	19.8 V $\overline{=}$ 1 A

Under normal use of condition, this equipment should be kept a separation distance of at least 20cm between the antenna and the body of the user.

## WEEE Information



All products bearing this symbol are waste electrical and electronic equipment (WEEE as in directive 2012/19/EU) which should not be mixed with unsorted household waste. Instead, you should protect human health and the environment by handing over your waste equipment to a designated collection point for the recycling of waste electrical and electronic equipment, appointed by the government or local authorities. Correct disposal and recycling will help prevent potential negative consequences to the environment and human health. Please contact the installer or local authorities for more information about the location as well as terms and conditions of such collection points.

## Sicherheitsinformationen

### Nutzungseinschränkungen

Dieses Produkt kann von Kindern im Alter ab acht Jahren, und von Personen mit physischen, sensorischen und intellektuellen Einschränkungen oder begrenzter Erfahrung oder Wissen benutzt werden, dies muss jedoch unter Aufsicht von Eltern oder einer Aufsichtsperson erfolgen, um einen sicheren Betrieb zu gewährleisten und Gefahren auszuschließen. Eine Wartung und Reinigung darf durch Kinder nur unter Aufsicht erfolgen.

Kinder dürfen nicht mit diesem Produkt spielen. Sorgen Sie dafür, dass Kinder und Haustiere während des Betriebs des Roboters in einem sicheren Abstand zum Gerät halten.

Dieses Produkt ist nur für die Bodenreinigung in einer häuslichen Umgebung. Benutzen Sie es nicht im Freien, auf anderen Oberflächen als dem Boden oder in einer kommerziellen oder industriellen Umgebung.

Verwenden Sie den Roboter nicht in einem Bereich, der sich über dem Bodenniveau befindet und der nicht durch eine Schutzbarriere begrenzt wird.

Benutzen Sie den Roboter nicht in Umgebungen, in denen die Temperaturen über 40 ° C oder unter 0 ° C liegen, und auch nicht auf Böden mit Flüssigkeiten oder klebrigen Substanzen.

Heben Sie Kabel vom Boden auf, bevor Sie den Roboter benutzen, um zu verhindern, dass diese während der Reinigung mitgezogen werden.

Entfernen Sie zerbrechliche oder kleine Gegenstände vom Boden, um zu verhindern, dass der Roboter sie anstößt und beschädigt.

Halten Sie Haare, Finger und andere Körperteile von der Saugöffnung des



## Sicherheitsinformationen

### Nutzungseinschränkungen

Roboters fern.

Bitte halten Sie die Reinigungswerkzeuge für die Bürste von Kindern fern. Kinder, Haustiere oder Gegenstände dürfen weder auf dem stillstehenden noch dem sich bewegenden Roboter positioniert werden.

Benutzen Sie den Roboter nicht zum Aufwischen oder Aufsaugen brennender Substanzen.

Saugen Sie keine harten oder scharfen Gegenstände ein.

Stellen Sie sicher, dass der Roboter ausgeschaltet und die Ladestation vom Strom getrennt ist, bevor Sie Reinigungs- oder Wartungsarbeiten durchführen.

Wischen Sie Teile dieses Produkt nicht mit nassen Lappen oder anderen Flüssigkeiten ab.

Bitte verwenden Sie das Produkt gemäß den Anweisungen im Benutzerhandbuch. Der Benutzer ist für jeglichen Verlust oder Schaden verantwortlich, der aufgrund inkorrektter Verwendung dieses Produkts entsteht.

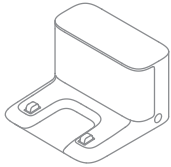
## Sicherheitsinformationen

- Akkus und Ladung** Verwenden Sie keine Akkus, Ladegeräte oder Ladestationen von Drittanbietern. Bitte ausschließlich mit RCS0 Netzgerät verwenden.
- Versuchen Sie nicht, den Akku oder die Ladestation selbst zu zerlegen, zu reparieren oder zu modifizieren.
- Stellen Sie die Ladestation nicht in der Nähe einer Wärmequelle.
- Benutzen Sie keinen nassen Tuch oder nasse Hände, um die Ladekontakte der Ladestation zu reinigen.
- Entsorgen Sie alte Akkus sachgemäß. Unbenutzte Akkus sollten in einer geeigneten Recycling-Einrichtung entsorgt werden.
- Wenn das Stromkabel beschädigt ist, schalten Sie das Gerät sofort aus und wenden Sie sich an den Kundendienst.
- Stellen Sie sicher, dass der Roboter beim Transport ausgeschaltet ist und möglichst in der Originalverpackung befördert wird.
- Wenn der Roboter für eine längere Zeit nicht benutzt werden soll, laden Sie ihn voll auf, schalten ihn aus und lagern ihn an einem kühlen und trockenen Ort. Laden Sie den Roboter mindestens je 3 Monate auf, um eine Tiefentladung des Akkus zu vermeiden.
- Dieses Produkt enthält Akkus, die nur von qualifizierten Technikern oder dem Kundendienst ausgewechselt werden können.

Hiermit bestätigt, Dreame Trading (Tianjin) Co., Ltd. dass das Funkgerät des Typs RL55-BL1 mit der Verordnung 2014/53/EU in Einklangsteht. Der vollständige Wortlaut der EU-Konformitätserklärung ist unter der folgenden Internetadresse abrufbar: [www.dreame-technology.com](http://www.dreame-technology.com)

Ein detailliertes elektronisches Handbuch finden Sie unter <https://www.dreame-technology.com/pages/user-manuals-and-faqs>

## Zubehör



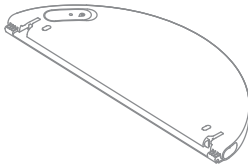
Ladestation



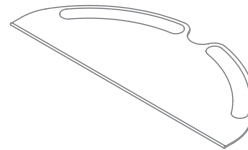
Reinigungswerkzeug



Stromkabel



Wassertank



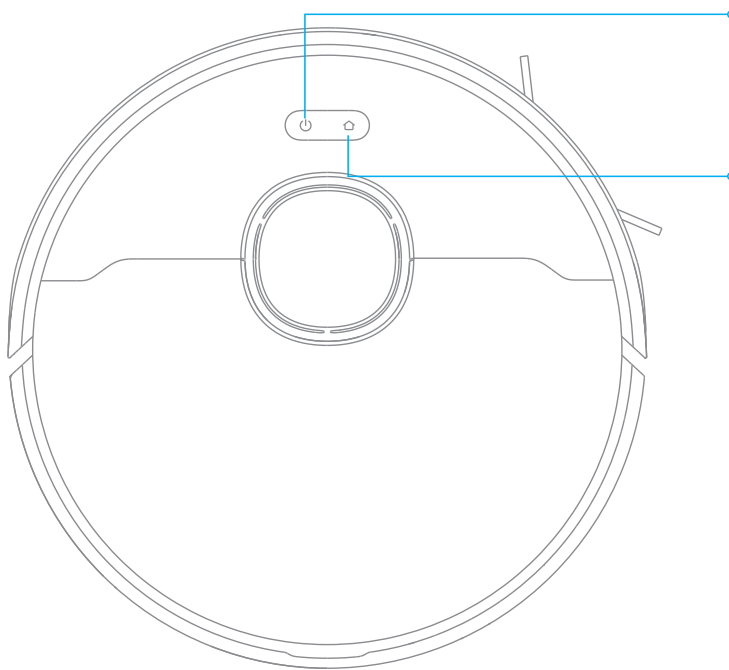
Wischer



Seitenbürste

**Hinweis:** Die Abbildungen in dieser Anleitung dienen nur als Referenz, bitte beziehen Sie sich auf das eigentliche Produkt für die tatsächliche Erscheinung.

## Roboter



### Ein-/Aus- und Reinigungstaste

- Drücken und 3 Sekunden lang gedrückt halten
- Drücken, um die Reinigung nach dem Einschalten des Roboters zu starten

### Zum Aufladen/Zielreinigungstaste

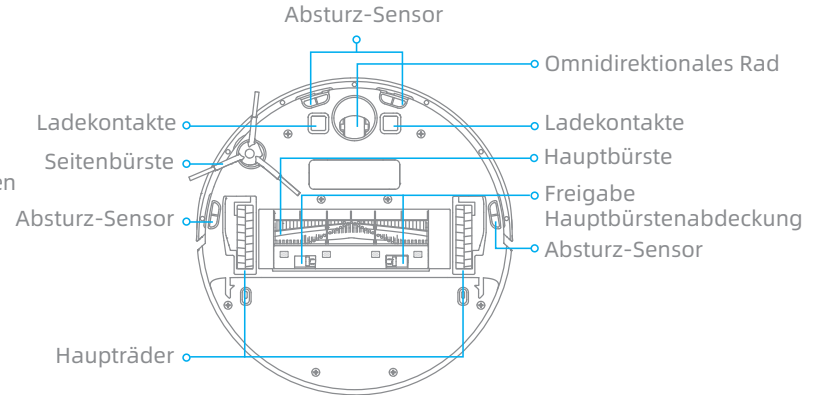
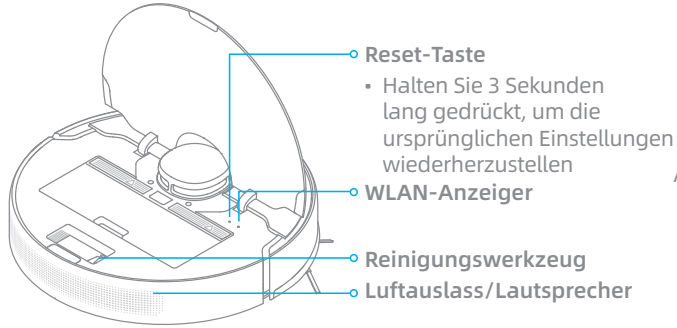
- Drücken, um den Roboter zur Ladestation zurückzufahren
- Halten Sie die Taste 3 Sekunden gedrückt, um den Zielreinigungstaste zu starten

### Statusanzeige

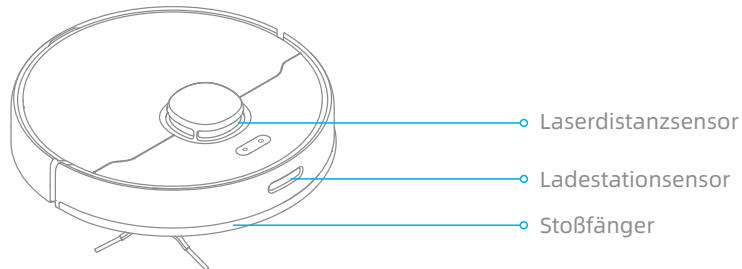
- Weiß: Bereinigung/Bereinigung ist abgeschlossen/ Aufladen is abgeschlossen
- Weiß blinkend: Zurück zum Dock Aufladen (normale Batterie)
- Atmend weiß: Aufladung (normale Batterie)
- Orange blinkend: Zurück zum Dock Aufladen (niedrige Batterie)/Fehler
- Orange pulsierend: Aufladen (niedrige Batterie)

# Produktübersicht

## Roboter

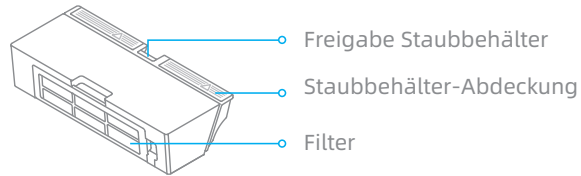


## Robotersensor

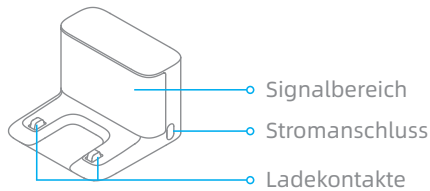


# Produktübersicht

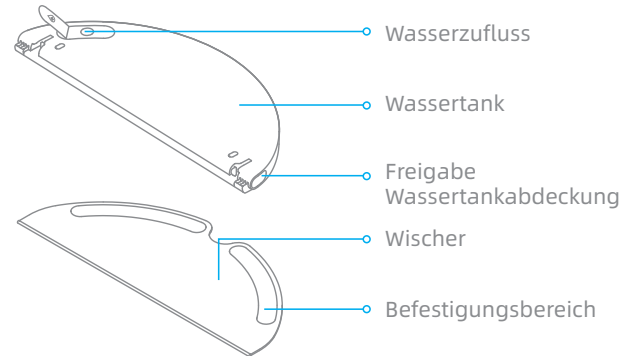
## Staubbehälter



## Ladestation



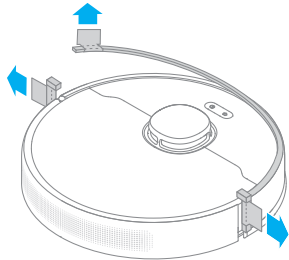
## Wischmodul



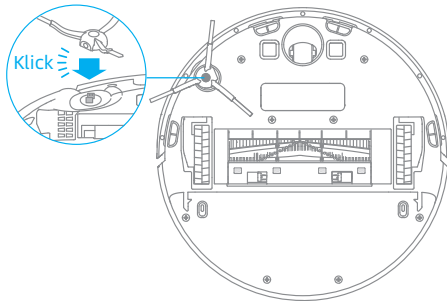
# Vorbereitung vor der Verwendung

## 1. Entfernen Sie die Schutzfolie

Entfernen Sie die Schutzfolien am Roboter.

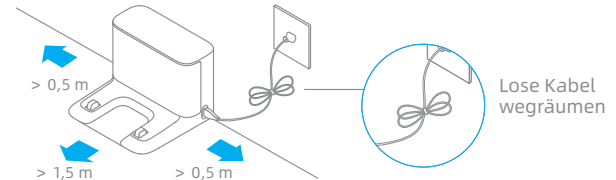


## 2. Seitenbürste installieren



Hinweis: Bringen Sie die Seitenbürste an, so dass sie in der korrekten Position einrastet.

## 3. Platzieren Sie die Ladestation auf einer ebenen Oberfläche neben einer Wand und schließen Sie sie an einer Steckdose an.



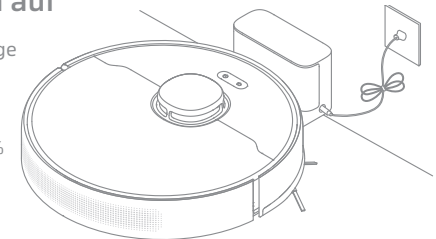
### Hinweis:

- Stellen Sie sicher, dass auf beiden Seiten der Ladestation ein Abstand von mindestens 0,5 Metern und vor der Ladestation ein Abstand von mehr als 1,5 Metern eingehalten wird.
- Um sicherzustellen, dass Sie den Roboter einfach mit dem Telefon verbinden können, stellen Sie sicher, dass sich der Roboter und die Ladestation im Bereich des WLAN befinden.
- Platzieren Sie die Ladestation nicht in einem Bereich mit direkter Sonneneinstrahlung oder in einem Bereich, in dem andere Objekte den Signalbereich blockieren könnten, da dies den Roboter daran hindern könnte, zur Ladestation zurückzukehren.

## 4. Platzieren Sie den Roboter zum Aufladen. in der Ladestation. Der Roboter schaltet sich automatisch ein und lädt sich auf

### ⏻ Akkuladestandsanzeige

- Weiß: Der Akkustand beträgt mehr als 15 %
- Orange: Der Akkustand beträgt weniger als 15 %



### Hinweis:

- Vollständige Aufladung vor dem ersten Gebrauch.
- Montieren Sie den Moppaufsatz nicht, während das Gerät geladen wird. Gehen Sie vorsichtig mit dem nassen Mopp um, da die Feuchtigkeit den Boden beschädigen kann.

# Mit der Mi Home-/Xiaomi Home-App verbinden

Dieses Produkt funktioniert mit der Mi Home-/Xiaomi Home-App\*.

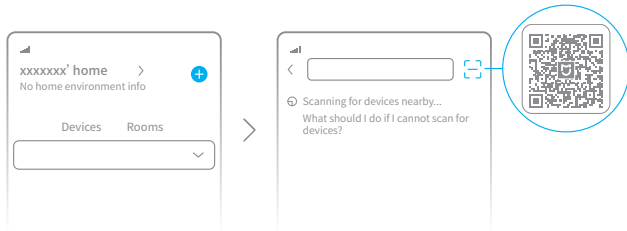
## 1. Laden Sie die Mi Home/Xiaomi Home App herunter

Scannen Sie den QR-Code, um die App herunterzuladen und zu installieren. Ist die App bereits installiert, werden Sie zur Verbindungseinrichtungs-Seite weitergeleitet. Sie können aber auch im App Store nach „Mi Home/Xiaomi Home“ suchen, um die App herunterzuladen und zu installieren.



## 2. Fügen Sie das Gerät hinzu



Öffnen Sie die Mi Home / Xiaomi Home App und tippen Sie oben rechts auf "+". Tippen Sie daraufhin in der Ecke oben rechts auf "🔗". Scannen Sie den QR-Code ein, fügen Sie den "Dreame Bot D9 Max" hinzu und folgen Sie den Anweisungen, um die Verbindung abzuschließen.

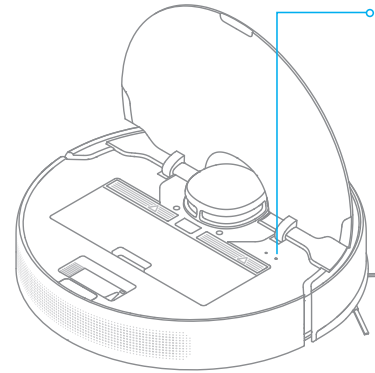


### Hinweis:

- Es wird nur WLAN mit 2,4 GHz unterstützt.
- Die Version der App wurde möglicherweise aktualisiert. Befolgen Sie bitte die Anweisungen zur aktuellen App-Version.

## 3. WLAN zurücksetzen

Gleichzeitig drücken und halten Sie die  und  Taste bis Sie eine Sprachmeldung hören „Warten auf Netzwerkconfiguration“. Sobald die WLAN-Anzeige langsam blinkt, wurde das WLAN erfolgreich zurückgesetzt.



### WLAN-Anzeiger



- Langsam blinkend: Wartet auf Verbindung
- Schnell blinkend: Verbindung wird hergestellt
- An: WLAN verbunden

**Hinweis:** Wenn Ihr Telefon keine erfolgreiche Verbindung mit dem Roboter herstellen kann, setzen Sie das WLAN zurück und fügen Sie das Gerät erneut hinzu.




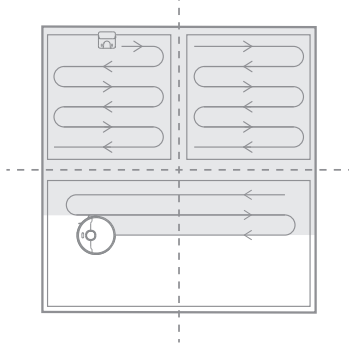
# Gebrauchsanleitung

## 1. Einschalten/Ausschalten

Drücken und halten Sie die Taste  3 Sekunden lang um den Roboter anzuschalten. Sobald die Betriebsanzeige ständig weiß leuchtet, befindet sich der Roboter im Standby-Modus. Um den Roboter auszuschalten, drücken und halten Sie die Taste  3 Sekunden lang gedrückt, während der Roboter stillsteht. Durch das Ausschalten des Roboters wird die aktuelle Reinigungsaufgabe beendet.

## 2. Mit der Reinigung beginnen

Drücken Sie die Taste  kurz, um den Roboter einzuschalten. Nach dem Einschalten legt der Roboter eine genaue Route fest, reinigt methodisch entlang der Kanten und Wände und reinigt abschließend jeden Raum in einem S-förmigen Muster, um eine gründliche Arbeit zu gewährleisten.



### Hinweis:

Falls der Akkustand zu niedrig ist, wird der Roboter automatisch zum Laden zur Ladestation zurückkehren. Er wird unvollendete Reinigungsaufgaben fortsetzen, nachdem der entsprechende Ladestand erreicht ist. (das Fortsetzen des Reinigungsmodus muss zuvor auf der APP aktiviert werden).

## 3. Reinigungsmodus

In der Mi Home/Xiaomi Home-App sind vier Reinigungsmodi verfügbar: Leise, Standard, Stark und Turbo. Voreingestellt ist der Standardmodus.

## 4. Pausiert/Energiesparmodus

Pausiert: Drücken Sie eine beliebige Taste, um den Roboter während der Reinigung zu pausieren.

Energiesparmodus: Der Roboter geht nach 10 Minuten Inaktivität automatisch in den Energiesparmodus. Dabei werden die Betriebs- und Ladeanzeige ausgeschaltet. Um den Roboter aufzuwecken, drücken Sie eine beliebige Taste.

### Hinweis:

- Wenn das Gerät länger als 12 Stunden im Ruhemodus ist, schaltet es sich automatisch aus.
- Wenn der Roboter sich im Pause-Modus befindet, wird die aktuelle Reinigungsaufgabe beendet, wenn Sie ihn auf die Ladestation setzen.

## 5. Nicht-Stören-Modus


Der Nicht-Stören-Modus verhindert, dass der Roboter automatisch Reinigungsaufgaben startet, und die Betriebsanzeige bleibt ausgeschaltet. Sie können den Nicht-Stören-Modus in der App aktivieren oder die Stunden für den Modus ändern. (Der Modus ist standardmäßig von 22:00 bis 08:00 Uhr aktiviert.)

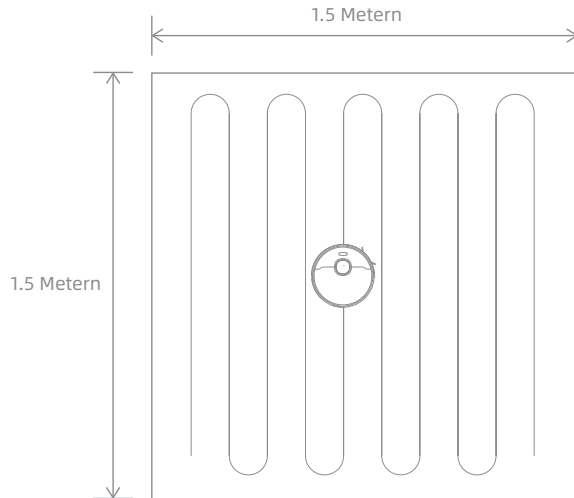
### Hinweis:

- Geplante Reinigungen werden jedoch weiterhin während der DND-Periode (Nicht-Stören-Modus) durchgeführt.
- Der Roboter wird nach dem Ablauf dieses Zeitraums die Reinigung fortsetzen.

# Gebrauchsanleitung

## 6. Zielreinigungsmodus

Wenn sich der Roboter im Standby-Modus oder im Pause-Modus befindet, halten Sie die Taste  3 Sekunden lang gedrückt, um den Zielreinigungsmodus zu starten. In diesem Modus wird eine quadratische Fläche von 1,5 × 1,5 Metern direkt um den Roboter herum gereinigt. Wenn die Zielreinigung beendet ist, kehrt der Roboter automatisch an seinen ursprünglichen Standort zurück und schaltet sich ab.



**Hinweis:** Die Aktivierung der Zielreinigungsmodus beendet die aktuelle Reinigungsaufgabe des Roboters.

## 7. Geplantes Reinigen

Sie können die Reinigungszeiten automatisch mit der Mi Home/ Xiaomi Home-App planen. Der Roboter wird zu der geplanten Zeiten automatisch mit der Reinigung anfangen und nach ausgeführter Reinigung wieder zur Ladung an die Ladestation zurückkehren.

## 8. Weitere APP-Funktionen

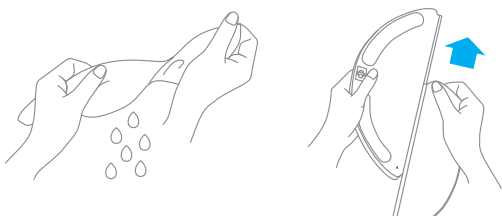
Folgen Sie den Anweisungen auf der APP-Schnittstelle, um weitere Funktionen zu nutzen. Die App-Version könnte aktualisiert worden sein. Bitte folgen Sie den Anweisungen entsprechend der aktuellen App-Version.

# Gebrauchsanleitung

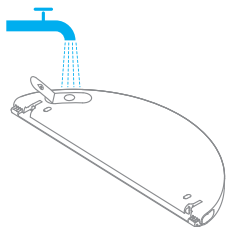
## 9. Verwenden der Wischfunktion

Zur Erzielung eines besseren Reinigungseffekts, wird empfohlen, alle Boden mindestens dreimal vor der ersten Mopp-Reinigung zu saugen.


1) Befeuchten Sie das Wischer-Pad und wringen Sie überschüssiges Wasser aus. Schieben Sie das Wischer-Pad ganz in den Schlitz des Wassertanks, bis es sicher an seinem Platz ist.

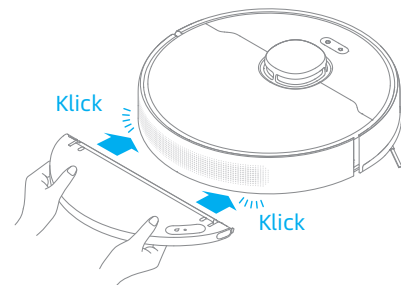


2) Öffnen Sie den Wassertankdeckel, füllen Sie den Tank mit Wasser und verschließen Sie den Deckel sicher.



**Hinweis:** Verwenden Sie keine Reinigungs- oder Desinfektionsmittel.

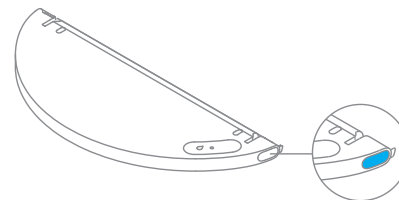
3) Richten Sie das Wischmodul wie durch den Pfeil angezeigt aus, und schieben Sie es dann in die Rückseite des Roboters, bis es einrastet. Drücken Sie die Taste  oder verwenden Sie die App Mi Home/Xiaomi Home, um mit der Reinigung zu beginnen.



**Hinweis:**

- Die Verwendung der Wischfunktion auf Teppichen wird nicht empfohlen.
- Verwenden Sie die App, um den Wasserfluss wie benötigt einzustellen.

4) Drücken Sie die beide Clips auf der Seite nach innen, und schieben Sie den Wassertank zurück, um ihn vom Roboter abzutrennen.

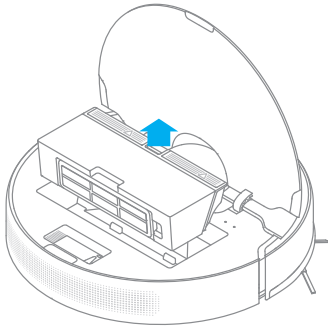


**Hinweis:** Wenn der Roboter geladen oder nicht verwendet wird, entfernen Sie das Wischmodul, gießen Sie das gesamte restliche Wasser aus dem Tank aus und reinigen Sie das Wisch-Pad, um Schimmelbildung oder verweilende Gerüche zu vermeiden.

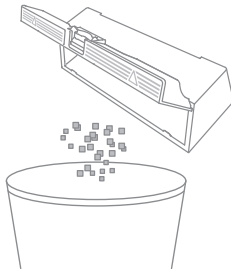
# Regelmäßige Wartung

## Staubbehälter und Filter reinigen

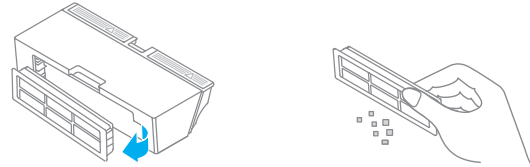
1. Öffnen Sie den Deckel des Roboters und drücken Sie dann den Staubbehälter-Clip ein, um das Staubfach zu entfernen.



2. Öffnen Sie den Deckel des Staubbehälters wie in der Abbildung dargestellt.

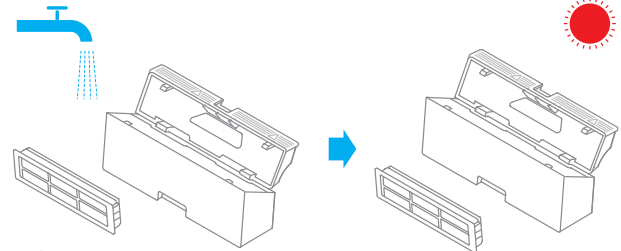


3. Entnehmen Sie den Filter, wiederholt ausspülen und auf den Flitterrahmen klopfen, um so viel Schmutz wie möglich zu entfernen.



**Hinweis:** Den Filter nicht mit einer Bürste oder Finger reinigen.

4. Spülen Sie den Staubbehälter aus und filtern Sie ihn mit Wasser, bis er sauber ist. Trocknen Sie den Filter gründlich, bevor Sie ihn erneut installieren.



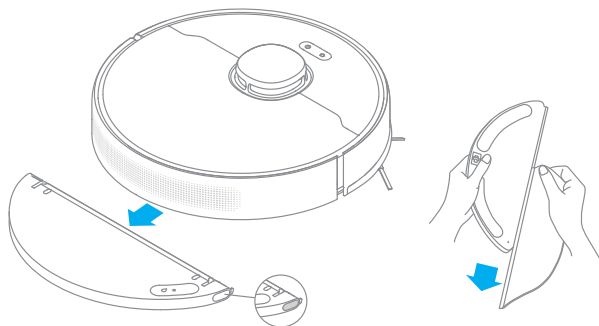
**Hinweis:**

- Zur Reinigung des Filters darf nur sauberes Wasser verwendet werden. Verwenden Sie kein Reinigungsmittel.
- Der Filter muss vor der Benutzung vollständig trocken sein.

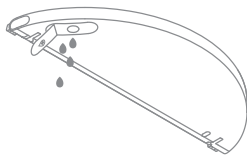
# Regelmäßige Wartung

## Reinigen Sie das Wischmodul

1. Drücken Sie die Freigabetaste des Wischmoduls nach innen und ziehen Sie das Modul heraus. Ziehen Sie den Wischlappen vom Wischmodul ab.

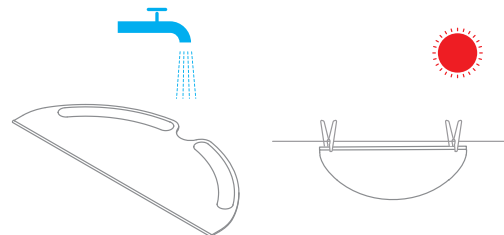


2. Entleeren Sie das Restwasser aus dem Wassertank und lassen Sie ihn an der Luft trocknen.



**Hinweis:** Setzen Sie den Tank keiner direkten Sonneneinstrahlung aus.

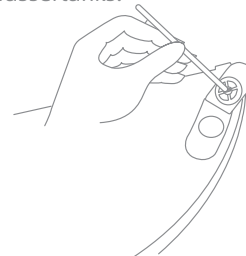
3. Die Wischlappen ausschließlich mit Wasser reinigen und vor Reinstallieren an der Luft trocknen lassen.



### Hinweis:

- Nehmen Sie den Wischlappen vor der Reinigung aus dem Wischmodul heraus und stellen Sie sicher, dass das Schmutzwasser nicht in den Wasserauslass zurückfließt, um eine Verstopfung zu vermeiden.
- Für optimale Performanz wird empfohlen, das Wischer-Pad jede 3 bis 6 Monaten auszutauschen.

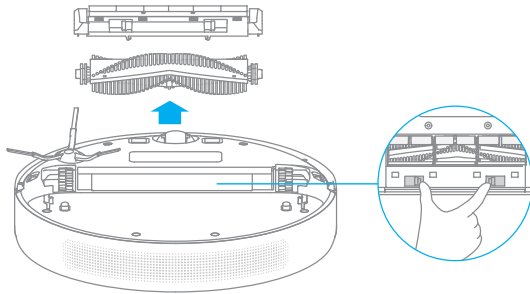
4. Falls eine langsamer Wasserdurchfluss auftritt bzw. das Wasservolumen nicht gut verteilt ist, reinigen Sie das Luftloch in der Abdeckung des Wassertanks.



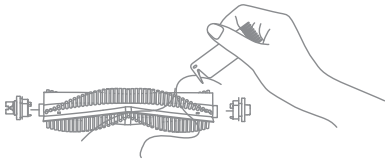
## Regelmäßige Wartung

### Bürste reinigen

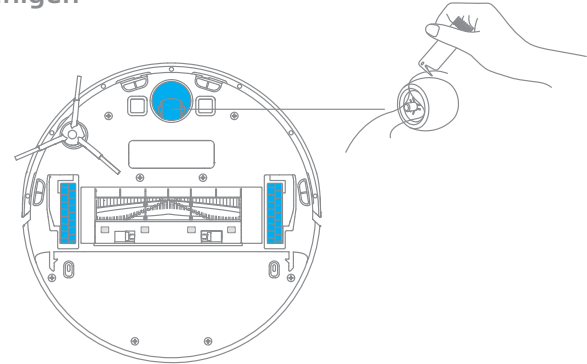
Drücken Sie die Clips zusammen, um die Bürstenabdeckung zu entfernen. Heben Sie dann die Bürste aus dem Roboter heraus.



Ziehen Sie die Bürstenabdeckungen wie in der Abbildung gezeigt heraus. Verwenden Sie das mitgelieferte Reinigungswerkzeug, um die auf der Bürste verfangenen Haare zu entfernen.



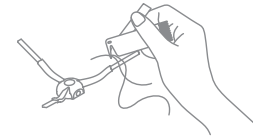
### Das Haupttrand und das omnidirektionale Rad reinigen



**Hinweis:** Verwenden Sie Werkzeuge wie z.B. einen kleinen Schraubendreher, usw., um die Reifen von der Achse zu trennen.

### Seitenbürste reinigen

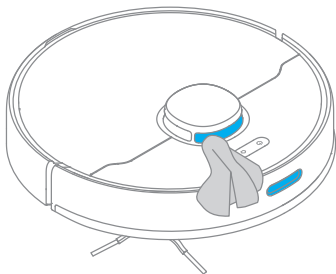
Ziehen Sie die Seitenbürste aus und benutzen Sie die eingeschlossene Reinigungstool, um die Haare auf der Bürste zu entfernen.



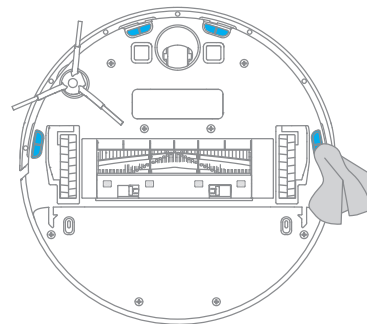
## Regelmäßige Wartung

**Hinweis:** Bitte verwenden Sie zur Reinigung ein trockenes Geschirrtuch, da der Roboter und das innere der Ladestation empfindliche Komponenten enthalten. Verwenden Sie keine nassen Spültücher, um durch Wasser verursachte Schäden zu vermeiden.



### Reinigen Sie den Laserdistanzsensor /Ladestationsensor



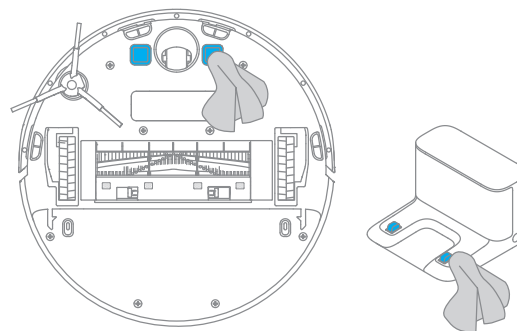
### Reinigen Sie die Absturz-Sensor



### Neustart des Roboters

Wenn der Roboter nicht mehr reagiert oder sich nicht mehr ausschalten lässt, halten Sie die Taste  10 Sekunden lang gedrückt, um eine Zwangsabschaltung durchzuführen. Drücken und halten Sie dann die Taste  3 Sekunden lang, um den Roboter wieder einzuschalten.

### Reinigen Sie die Kontakte der Ladestation



### Akku

Der Roboter enthält einen Hochleistungs-Lithium-Ionen-Akku. Bitte stellen Sie sicher, dass dieser bei täglicher Nutzung gut geladen ist, um die optimale Akkuleistung beizubehalten. Wenn der Roboter längere Zeit nicht benutzt wird, schalten Sie ihn aus und stellen Sie ihn weg. Um Schäden durch Tiefentladung zu vermeiden, sollte der Roboter mindestens einmal je drei Monate aufgeladen werden.

Problemtyp	Lösung
Roboter lässt sich nicht einschalten	Der Akkustand ist niedrig. Laden Sie den Roboter an der Ladestation auf und versuchen Sie es dann erneut. Die Umgebungstemperatur ist zu niedrig (unter 0 ° C) oder zu hoch (über 40 ° C). Die Betriebstemperatur des Roboters liegt zwischen 0 ° C und 40 ° C.
Roboter lädt sich nicht auf	Die Ladestation erhält keinen Strom. Bitte stellen Sie sicher, dass beide Spitzen des Stromkabels korrekt eingesteckt sind. Schlechter Kontakt. Reinigen Sie die Ladkontakte der Ladestation und des Roboters.
Roboter kehrt nicht zur Ladestation zurück	Es gibt zu viele Hindernisse um die Ladestation herum. Stellen Sie die Ladestation in einer offeneren Umgebung auf. Bitte reinigen Sie den Signalbereich der Ladestation.
Roboter arbeitet nicht einwandfrei	Schalten Sie den Roboter aus und dann wieder an.
Roboter gibt ein merkwürdiges Geräusch ab	Ein Fremdkörper könnte sich in der Hauptbürste, Seitenbürste oder einem der Räder verfangen haben. Schalten Sie den Roboter aus und entfernen Sie eventuell vorhandenen Schmutz.
Der Roboter reinigt nicht mehr wirksam, oder er hinterlässt Staub	Der Staubbehälter ist voll. Bitte leeren Sie ihn. Der Filter ist verstopft. Bitte reinigen Sie ihn. Ein Fremdkörper hat sich in der Hauptbürste verfangen. Bitte reinigen Sie diese.
Roboter kann nicht mit dem WLAN verbinden	Es besteht ein Problem mit der WLAN-Verbindung. Setzen Sie das WLAN zurück und laden Sie die neueste Version der Mi Home/Xiaomi Home-App herunter. Versuchen Sie dann erneut, eine Verbindung herzustellen. Die Standortberechtigung ist nicht aktiviert. Bitte stellen Sie sicher, dass die Standortberechtigung auf der Mi Home/Xiaomi Home-App geöffnet ist. WLAN mit 5 GHz wird nicht unterstützt. Bitte stellen Sie sicher, dass Ihr Roboter mit einem 2,4 GHz WLAN verbunden ist. Der Benutzername oder das Kennwort des WLAN ist falsch. Bitte stellen Sie die korrekte Eingabe des Benutzernamens und Kennworts sicher.



Problemtyp	Lösung
Der Roboter führt die geplante Reinigung nicht aus	Der Akkustand ist niedrig. Die geplanten Reinigungsvorgänge werden erst nach Aufladen des Geräts durchgeführt.
Verbraucht das Belassen des Roboters auf der Ladestation Strom, wenn er bereits aufgeladen ist?	Das Belassen des Roboters auf der Ladestation nach dem Ladevorgang verbraucht nur sehr wenig Strom und trägt zur Aufrechterhaltung einer optimalen Akkuleistung bei.
Aus dem Wisch-Modul kommt kein oder nur sehr wenig Wasser heraus	Vergewissern Sie sich, dass der Wassertank mit Wasser gefüllt ist, und reinigen Sie das Wischer-Pad, falls erforderlich. Reinigen Sie den Mopp, wenn er schmutzig wird. Vergewissern Sie sich, dass der Wischlappen entsprechend Gebrauchsanleitung korrekt angebracht ist. Das Luftloch auf dem Wassertank reinigen.
Der Roboter nimmt die Reinigung nach dem Aufladen nicht wieder auf	Vergewissern Sie sich, dass der Roboter sich nicht im Nicht-Stören-Modus befindet, denn dieser verhindert eine Fortsetzung der Reinigung. Der Roboter setzt die Reinigung nicht automatisch fort, wenn er manuell aufgeladen oder auf der Ladestation gestellt wird.
Der Roboter kehrt nicht zur Ladestation zurück, nachdem er versetzt wurde	Das Versetzen des Roboters kann dazu führen, dass er sich selbst neu positioniert oder seine Umgebung neu kartiert. Wenn der Roboter zu weit von der Ladestation entfernt ist, kann er möglicherweise nicht automatisch von selbst zurückkehren. In diesem Fall müssen Sie den Roboter manuell auf der Ladestation platzieren.

# Spezifikationen

## Roboter

Modell	RLS5-BL1
Batterie	5200 mAh(Nennkapazität der Batterie)
Ladedauer	Ca. 6 Stunden
WLAN-Verbindung	Wi-Fi IEEE 802.11b/g/n 2,4 GHz
Nennspannung	14,4 V $\text{---}$
Bemessungsleistung	40 W
Betriebsfrequenz	2400-2483,5 MHz
Maximale Ausgangsleistung	< 20 dBm

## Ladestation

Modell	RCS0
Nenningang	100-240 V $\sim$ 50/60 Hz 0,5 A
Nennausgang	19,8 V $\text{---}$ 1 A

Unter normalen Einsatzbedingungen muss dieses Gerät einen Abstand von mindestens 20 cm zwischen der Antenne und dem Körper des Benutzers einhalten.

## WEEE-Informationen



Alle mit diesem Symbol gekennzeichneten Produkte sind Elektroschrott und Elektrogeräte (WEEE entsprechend EU-Richtlinie 2012/19/EU) und dürfen nicht mit unsortiertem Haushaltsmüll vermischt werden. Schützen Sie stattdessen Ihre Mitmenschen und die Umwelt, indem Sie Ihre zu entsorgenden Geräte an eine dafür vorgesehene, von der Regierung oder einer lokalen Behörde eingerichtete Sammelstelle zum Recycling von Elektroschrott und Elektrogeräten bringen. Eine ordnungsgemäße Entsorgung und Recycling helfen, negative Auswirkungen auf die Gesundheit von Umwelt und Menschen zu vermeiden. Wenden Sie sich bitte an den Installateur oder lokale Behörden, um Informationen zum Standort und den allgemeinen Geschäftsbedingungen solcher Sammelstellen zu erhalten.

## Informations sur la sécurité

### Restrictions d'utilisation

Ce produit peut être utilisé par des enfants d'au moins 8 ans (inclus) et des personnes atteintes de déficiences physiques, sensorielles ou intellectuelles, ou possédant des connaissances ou une expérience limitées, à condition qu'ils soient sous la surveillance d'un adulte ou d'un tuteur légal afin d'assurer une utilisation sûre et d'éviter tout risque d'accident. Les enfants ne doivent pas effectuer le nettoyage et l'entretien sans surveillance.

Les enfants ne doivent pas jouer avec ce produit. Pendant le nettoyage, assurez-vous que les enfants et les animaux de compagnie sont maintenus à une distance de sécurité par rapport au robot aspirateur laveur.

Ce produit est uniquement destiné au nettoyage des sols dans un environnement domestique. Ne l'utilisez pas à l'extérieur, sur des surfaces autres que des sols ou dans un environnement commercial ou industriel.

N'utilisez pas le robot dans une zone située au-dessus du niveau du sol sans barrière de protection.

N'utilisez pas le robot dans des environnements où la température ambiante est supérieure à 40° C ou inférieure à 0° C, ni sur un sol avec des liquides ou des substances collantes.

Retirez tous les câbles sur le sol avant d'utiliser le robot pour éviter qu'il ne s'emmêle dedans pendant le nettoyage.

Retirez tous les objets fragiles ou de petite taille sur le sol afin d'éviter que le robot les percute ou les endommage.

Maintenez vos cheveux, vos doigts et les autres parties de votre corps éloignés de l'orifice d'aspiration du robot.

## Informations sur la sécurité

### Restrictions d'utilisation

Conservez l'outil de nettoyage de brosse hors de la portée des enfants.

Ne mettez pas d'enfants, d'animaux ou d'objets sur le robot, qu'il soit à l'arrêt ou en mouvement.

N'utilisez pas le robot pour nettoyer des substances brûlantes.

N'aspirez pas d'objets durs ou tranchants.

Assurez-vous que le robot est éteint et que le socle de charge est débranché avant d'effectuer le nettoyage ou l'entretien.

Ne nettoyez aucune partie de ce produit avec un chiffon humide ou un liquide.

Veuillez utiliser ce produit conformément aux instructions du Mode d'emploi.

Les utilisateurs sont responsables des pertes ou dommages découlant d'une mauvaise utilisation de ce produit.

## Informations sur la sécurité

### Batteries et charge

N'utilisez pas de batterie, de chargeur ou de socle de charge tiers. N'utiliser que l'unité d'alimentation RCS0.

N'essayez pas de démonter, réparer ou modifier vous-même la batterie ou le socle de charge.

Ne placez pas le socle de charge près d'une source de chaleur.

N'utilisez pas de chiffon humide, ni vos mains mouillées, pour essuyer ou nettoyer les contacts de charge du socle.

Ne jetez pas vos batteries usagées de façon incorrecte. Les batteries inutilisées doivent être jetées aux centres de recyclage appropriés.

Si le cordon d'alimentation est endommagé ou rompu, cessez immédiatement de l'utiliser et contactez le service après-vente.

Dans la mesure du possible, assurez-vous que le robot est éteint lorsque vous le transportez et rangez-le dans son emballage d'origine.

Si vous ne prévoyez pas d'utiliser le robot pendant une période prolongée, chargez-le complètement, éteignez-le, puis entreposez-le dans un endroit frais et sec.

Rechargez le robot au moins une fois tous les 3 mois pour éviter un déchargement excessif de la batterie.

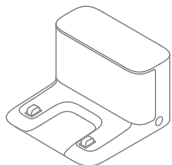
Ce produit contient des batteries qui ne peuvent être remplacées que par des techniciens qualifiés ou par le service après-vente.

Con la presente, Dreame Trading (Tianjin) Co., Ltd. dichiara che l'apparecchiatura radio di tipo RLS5-BL1 è conforme alla Direttiva 2014/53/UE. Il testo completo della dichiarazione di conformità UE è disponibile al seguente indirizzo Internet: [www.dreame-technology.com](http://www.dreame-technology.com)

Pour obtenir un manuel électronique détaillé, rendez-vous sur le site <https://www.dreame-technology.com/pages/user-manuals-and-faqs>

# Présentation du produit

## Accessoires



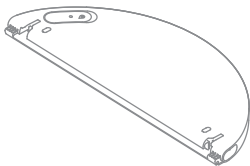
Station de charge



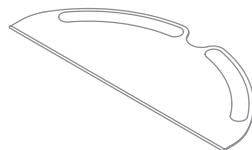
Outil de nettoyage



Câble d'alimentation



Réservoir d'eau



Serpillère

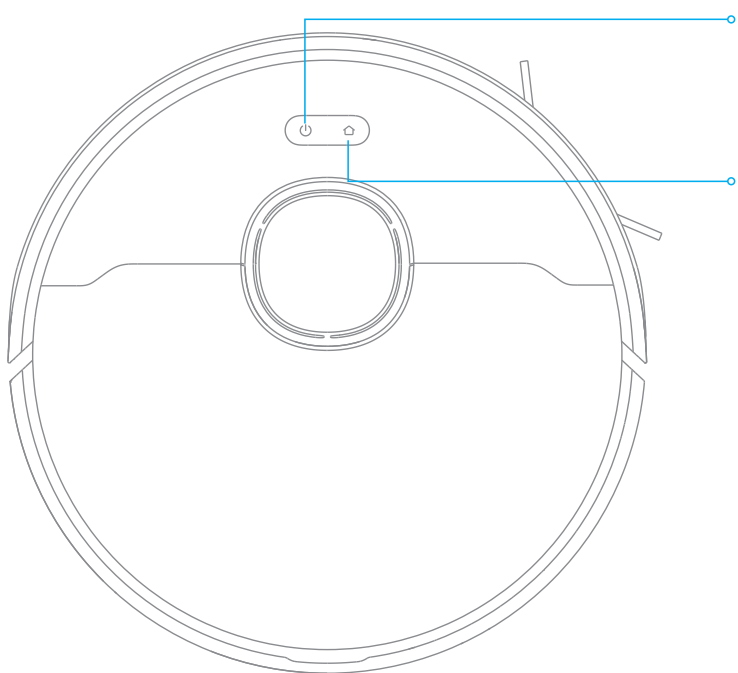


Brosse latérale

**Remarque :** Les illustrations de ce manuel sont fournies à titre de référence uniquement, veuillez vous référer au produit pour l'aspect réel.

# Présentation du produit

## Robot



### Bouton d'alimentation/nettoyage

- Maintenir le bouton enfoncé pendant 3 secondes
- Nettoyer: appuyer pour commencer le nettoyage une fois que le robot est mis sous tension

### Bouton de station/Bouton Nettoyage ponctuel

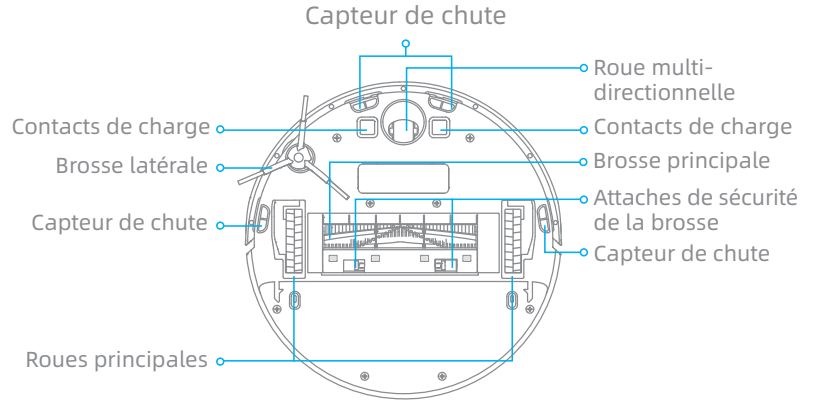
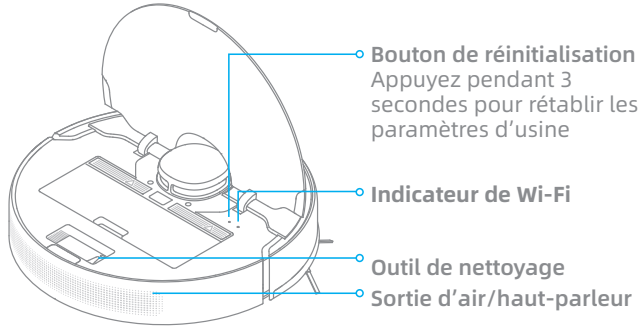
- Appuyer pour renvoyer le robot à la station de charge
- Maintenir le bouton enfoncé pendant 3 secondes pour activer le mode Nettoyage ponctuel

### Voyant d'état

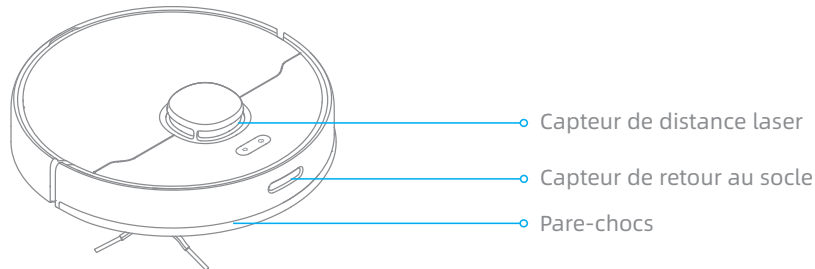
- Blanc : Nettoyage en cours / Nettoyage terminé / Recharge terminée
- Blanc clignotant : Retour à la station pour se recharger (niveau de batterie normale)
- Blanc respiration : En charge (niveau de batterie normale)
- Orange clignotant : Retour à la station pour se recharger
- (niveau de batterie faible)/Erreur(niveau de batterie faible)/Erreur
- Orange respiration: En charge (batterie faible)

# Présentation du produit

## Robot



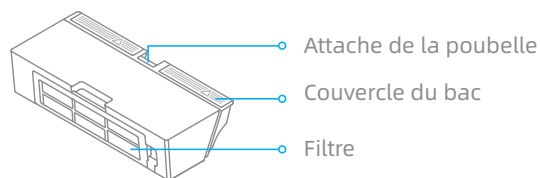
## Capteurs du robot



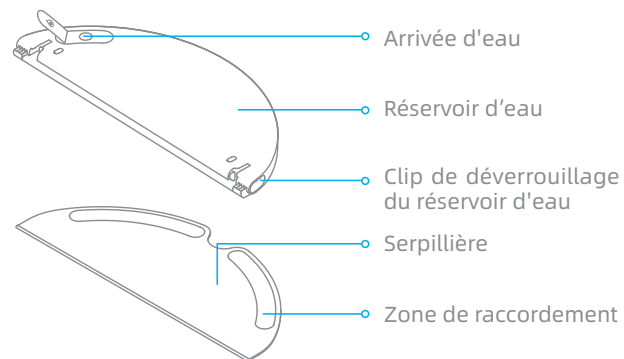


# Présentation du produit

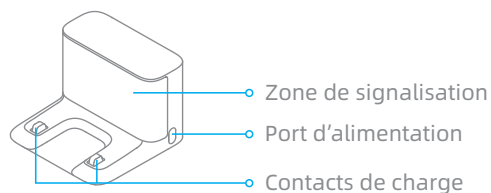
## Bac à poussière



## Module de nettoyage



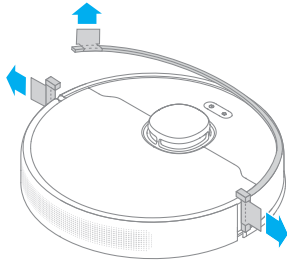
## Station de charge



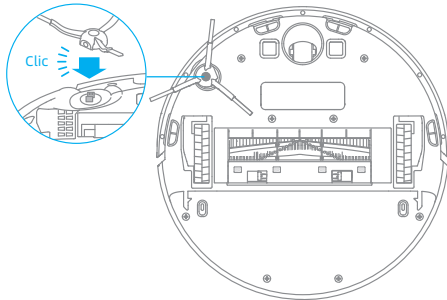
# Préparation avant utilisation

## 1. Enlever le film de protection

Veillez à retirer le film de protection du robot.

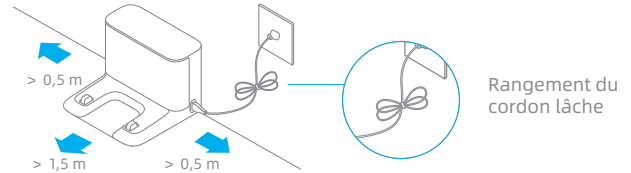


## 2. Installer la brosse latérale



Remarque : La brosse latérale est installée lorsque vous entendez un clic.

## 3. Placez la station de recharge sur un sol plat contre le mur et branchez l'alimentation



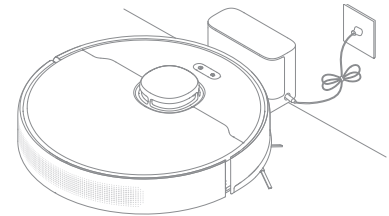
### Remarque :

- Assurez-vous qu'il y a une distance de 0,5 mètre ou plus de chaque côté de la station de recharge, et une distance de plus de 1,5 mètre devant celle-ci.
- Pour assurer une bonne connexion au robot avec votre téléphone, assurez-vous que le robot et la station de recharge sont à portée du Wi-Fi.
- Ne placez pas la station de charge dans un endroit directement exposé aux rayons du soleil où d'autres objets pourraient bloquer sa zone de signalisation, car cela pourrait empêcher le robot de retourner à la station de charge.

## 4. Placez le robot sur le quai de chargement pour le recharger. Le robot va s'allumer alors automatiquement et se recharger

 Indicateur du niveau de batterie

- Blanc : niveau de batterie supérieur à 15 %
- Orange : niveau de batterie inférieur à 15 %



### Remarque :

- Charger complètement avant la première utilisation.
- Lors du chargement, il n'est pas recommandé d'installer le module de nettoyage pour éviter que la serpillière n'endommage le sol.

# Connexion avec l'application Mi Home/Xiaomi Home

Ce produit fonctionne avec l'application Mi Home/Xiaomi Home.\* Utilisez l'application Mi Home/Xiaomi Home pour contrôler votre appareil et interagir avec d'autres appareils.

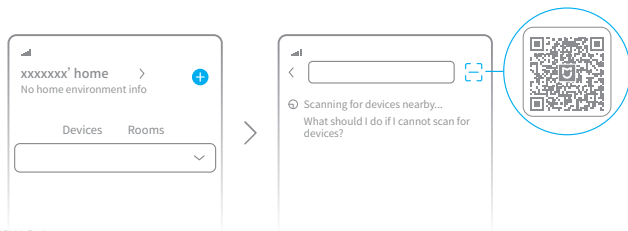
## 1. Téléchargez l'application Mi Home / Xiaomi Home

Scannez le code QR pour télécharger et installer l'application. Vous serez redirigé vers la page de configuration si l'application est déjà installée. Sinon, recherchez « Mi Home/Xiaomi Home » dans l'App Store pour la télécharger et l'installer.



## 2. Ajouter un appareil



Ouvrez l'application Mi Home / Xiaomi Home, et appuyez sur "+" en haut à droite. Puis appuyez sur "🔗" en haut à droite. Scannez le code QR, ajoutez "Dreame Bot D9 Max" et suivez les instructions pour terminer la connexion.

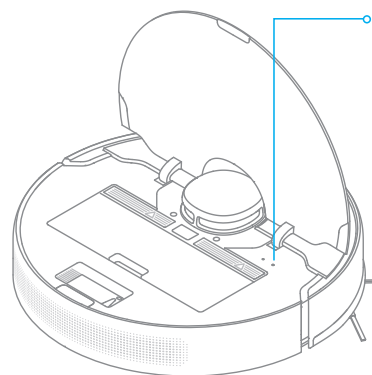


### Remarque :

- Seul le Wi-Fi 2,4GHz est pris en charge.
- La version de l'application pourrait avoir été mise à jour. Suivez les instructions en fonction de la version actuelle de l'application.

## 3. Réinitialiser le Wi-Fi

Maintenez simultanément les touches  et  enfoncées jusqu'à ce que vous entendiez le message « En attente de la configuration réseau ». Lorsque le voyant du Wi-Fi clignote lentement, le Wi-Fi a été réinitialisé avec succès.





- Indicateur de Wi-Fi
- Clignote lentement : En recherche de connexion
- Clignote rapidement: connexion en cours
- Fixe : Wi-Fi connecté


**Remarque :** lorsque votre téléphone ne parvient pas à se connecter au robot, réinitialisez le Wi-Fi et ajoutez à nouveau l'appareil.

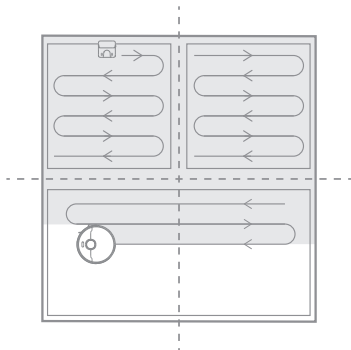
# Mode d'utilisation

## 1. Allumer/éteindre

Appuyez sur le bouton  et maintenez-le enfoncé pendant 3 secondes pour allumer le robot. Lorsque le voyant d'alimentation devient blanc, le robot est en mode veille. Pour éteindre le robot, appuyez sur le bouton  pendant 3 secondes lorsque le robot est à l'arrêt.

## 2. Commencer le nettoyage

Appuyez brièvement sur le bouton  pour mettre le robot en marche. Une fois activé, le robot tracera un itinéraire précis, nettoiera méthodiquement les bords et les murs, puis terminera en nettoyant chaque pièce en forme de S pour assurer un travail minutieux.



**Remarque :** Si le niveau de batterie est trop faible, le robot retournera automatiquement à la station de recharge pour se recharger. Il reprendra les tâches de nettoyage non terminées après avoir été rechargé à un niveau approprié. (Le mode « Reprendre le nettoyage » doit être activé à l'avance sur l'APP).

## 3. Mode nettoyage

Quatre modes de nettoyage sont disponibles sur l'application Mi Home/Xiaomi Home : silencieux, standard, fort et turbo. Le mode Standard est défini par défaut.

## 4. Pause/Mode Veille

Appuyez sur n'importe quel bouton pour suspendre le nettoyage du robot.

Mode veille: Le robot passera automatiquement en mode Veille après 10 minutes d'inactivité, puis les voyants d'alimentation et de charge s'éteindront. Pour réveiller le robot,, appuyez sur n'importe quel bouton.

**Remarque :**

- Le robot s'éteint automatiquement s'il reste en mode veille pendant plus de 12 heures.
- Lorsque le robot est en pause, vous mettez fin au nettoyage en cours si vous le replacez sur la station de charge.

## 5. Mode Ne pas déranger


En mode Ne pas déranger, le robot ne peut pas commencer automatiquement une tâche de nettoyage et le voyant d'alimentation reste éteint. Vous pouvez activer le mode Ne pas déranger ou modifier les heures d'activation via l'application. (Le mode est activé, par défaut, de 22h00 à 08h00.)

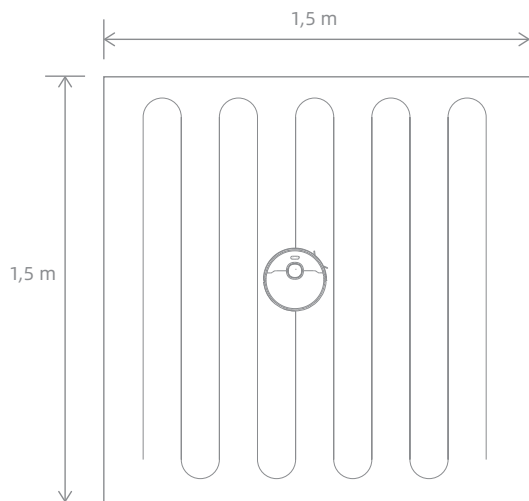
**Remarque :**

- Les nettoyages programmés seront toujours effectués lors de la période DND.
- Le robot continuera de nettoyer une fois cette période terminée.

# Mode d'utilisation

## 6. Mode Nettoyage ponctuel

Lorsque le robot est en pause ou en mode veille, appuyez sur le bouton  pendant 3 secondes pour activer le mode Nettoyage ponctuel. Dans ce mode, il nettoiera une surface carrée (1,5 x 1,5 m) autour de lui. Une fois le nettoyage ponctuel terminé, le robot retourna automatiquement à sa position initiale et s'éteindra.



**Remarque :** L'activation du mode Nettoyage ponctuel mettra fin au nettoyage en cours du robot.

## 7. Nettoyage programmé

Vous pouvez programmer des horaires de nettoyage via l'application Mi Home/Xiaomi Home. Le robot commencera automatiquement le nettoyage à l'heure définie, puis il retournera au socle de charge une fois qu'il aura terminé.

## 8. Plus de fonctionnalités concernant l'APP

Suivez les instructions sur l'interface de l'APP pour utiliser plus de fonctions.

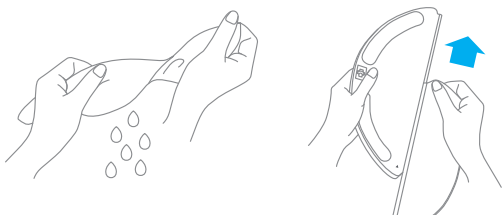
La version de l'application pourrait avoir été mise à jour, veuillez suivre les instructions de la version actuelle de l'application.

## Mode d'utilisation

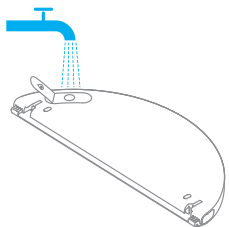
### 9. Utilisation de la fonction de nettoyage

Il est recommandé de passer l'aspirateur au moins trois fois sur tous les sols avant la première session de nettoyage afin d'obtenir un meilleur effet de nettoyage.


1) Humidifiez la serpillière et essorez l'excès d'eau. Faites complètement glisser la serpillière dans l'emplacement sur le réservoir d'eau de manière à bien la fixer.

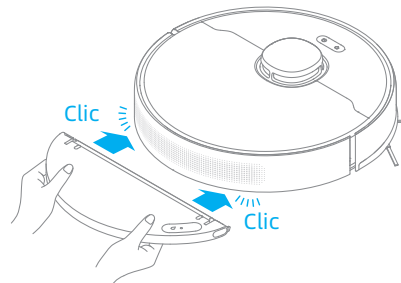


2) Ouvrez le couvercle du réservoir d'eau, remplissez le réservoir avec de l'eau, puis fermez bien le couvercle.



**Remarque :** N'utilisez pas de produits de nettoyage ou de désinfectants.

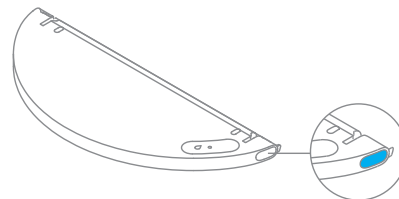
3) Alignez le module de nettoyage en suivant la flèche, puis faites-le glisser à l'arrière du robot jusqu'à ce que vous entendiez le clic. Appuyez sur le bouton  ou utilisez l'application Mi Home/ Xiaomi Home pour commencer le nettoyage.



**Remarque :**

- Il n'est pas recommandé d'utiliser la fonction de nettoyage sur les tapis.
- Utilisez l'application pour ajuster le débit d'eau selon vos besoins.

4) Appuyez sur les deux clips latéraux vers l'intérieur et faites glisser le réservoir d'eau vers l'arrière pour le séparer du robot.

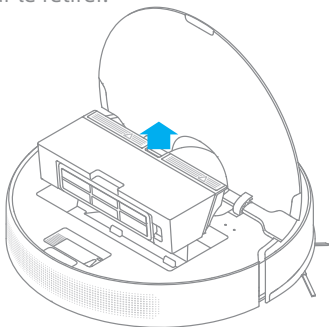


**Remarque :** Lorsque le robot est en train de se charger ou n'est pas en cours d'utilisation, retirez le module de nettoyage, videz toute l'eau restante du réservoir et nettoyez la serpillière pour éviter toute moisissure ou odeur persistante.

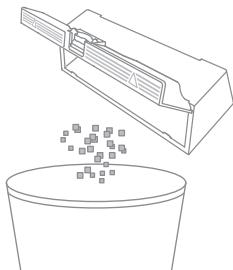
## Maintenance de routine

### Nettoyez le bac à poussière et le filtre

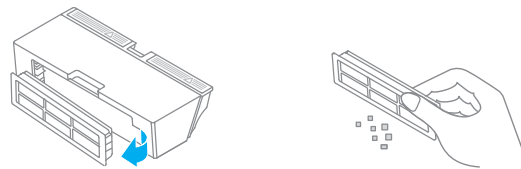
1. Ouvrez le couvercle du robo, puis pincez les clips du bac à poussière pour le retirer.



2. Ouvrez le couvercle du bac à poussière comme indiqué sur l'illustration.

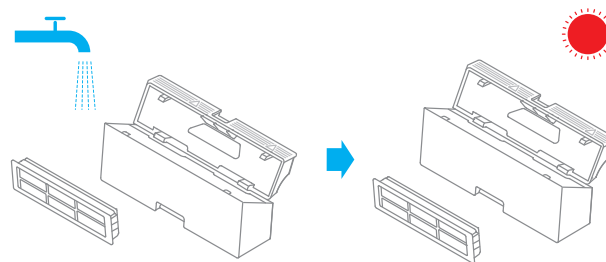


3. Retirez le filtre, rincez-le plusieurs fois et tapez sur le cadre de filtre pour enlever le plus de saleté possible.



**Remarque :** N'essayez pas de nettoyer le filtre avec une brosse ou vos doigts.

4. Rincez le bac à poussière et le filtre avec de l'eau jusqu'à ce qu'ils soient propres. Séchez bien le filtre avant de le réinstaller.



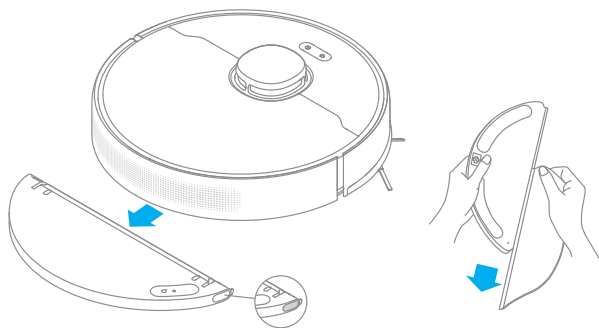
**Remarque :**

- Utilisez uniquement de l'eau propre pour nettoyer le filtre. N'utilisez pas de détergent.
- Le filtre doit être parfaitement sec avant d'être utilisé.

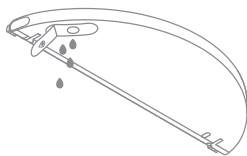
## Maintenance de routine

### Nettoyez le module de nettoyage

1. Appuyez sur les deux clips de dégagement situés du côté du réservoir d'eau, retirez le module de lavage et retirez le tampon de lavage du module de lavage.

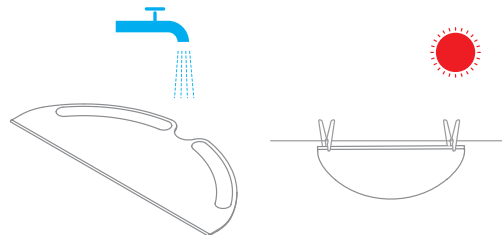


2. Videz l'eau restante du réservoir d'eau et laissez-le sécher naturellement avant de le réinstaller.



**Remarque :** Ne pas exposer le réservoir directement au soleil.

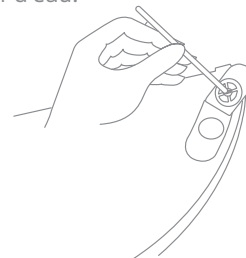
3. Nettoyez la serpillière, puis séchez-la.



#### Remarque :

- Retirez la serpillière du module de lavage avant de la nettoyer et assurez-vous que l'eau sale ne retourne pas vers la sortie d'eau afin d'éviter tout colmatage.
- Pour des performances optimales, il est recommandé de remplacer la serpillière tous les 3 à 6 mois.

4. Si vous remarquez que l'eau coule lentement ou que le volume n'est pas bien réparti, veuillez nettoyer le trou d'aération sur le couvercle du réservoir d'eau.

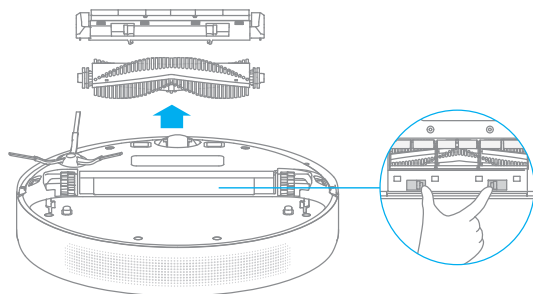




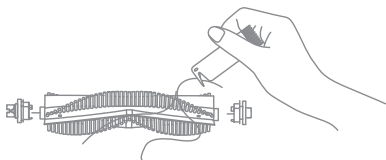
## Maintenance de routine

### Nettoyez la brosse principale

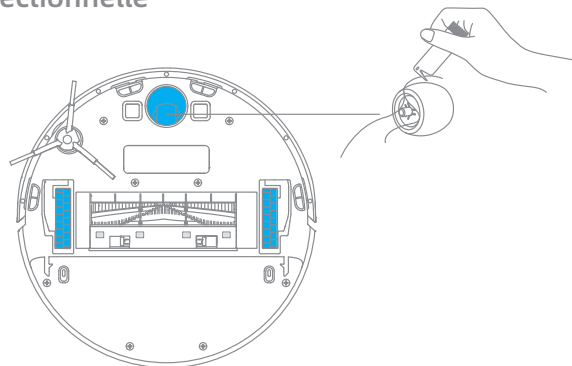
Appuyez sur les clips de protection de la brosse vers l'intérieur pour retirer la protection de la brosse et faites sortir la brosse du robot.



Sortez les protections de la brosse comme indiqué sur le schéma. Utilisez l'outil de nettoyage fourni pour enlever les poils coincés sur la brosse.



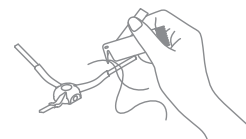
### Nettoyez la roue principale et la roue multidirectionnelle



**Remarque :** Utilisez des outils tels qu'un petit tournevis, etc. pour séparer l'axe et le pneu.

### Nettoyer la brosse latérale

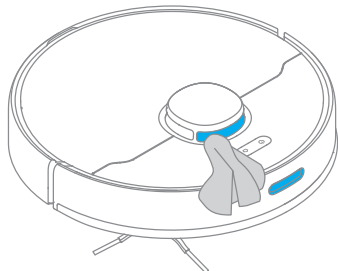
Sortez les brosses latérales et utilisez l'outil de nettoyage fourni pour retirer les poils emmêlés sur la brosse.



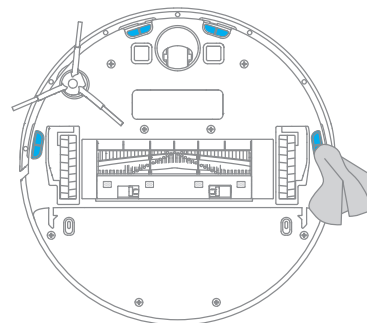
## Maintenance de routine

**Remarque :** Veuillez utiliser un torchon sec pour le nettoyage, l'eau pouvant endommager certains éléments sensibles à l'intérieur du robot et de la station de charge.



### Nettoyer le Capteur de distance laser / Capteur de retour-station



### Nettoyer le capteur de chute



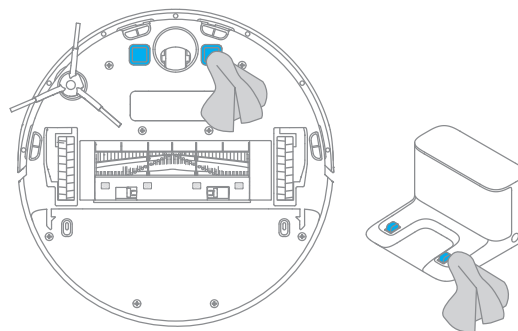
### Redémarrage du robot

Si le robot ne répond plus ou s'il est impossible de l'éteindre, appuyez sur le bouton  pendant 10 secondes pour forcer la mise hors tension. Après cela, appuyez sur le bouton  pendant 3 secondes pour rallumer le robot.

### Batterie

Le robot contient une batterie lithium-ion haute performance. Veuillez vous assurer qu'il reste bien chargé pendant l'utilisation quotidienne pour garantir une performance optimale de la batterie. Si le robot n'est pas utilisé pendant une longue période, éteignez-le et rangez-le. Afin qu'il ne soit pas endommagé en raison d'une décharge excessive, le robot doit être rechargé au moins une fois tous les trois mois.

### Nettoyez le contact de charge



Type de problème	Solution
Le robot ne s'allume pas	Le niveau de batterie est faible. Rechargez le robot à l'aide du socle de charge, puis réessayez. La température ambiante est trop basse (inférieure à 0 ° C) ou trop élevée (supérieure à 40 ° C). La température de fonctionnement du robot est comprise entre 0 ° C et 40 ° C.
Le robot ne charge pas	La station de charge n'est pas alimentée. Veuillez vérifier que les deux extrémités du câble d'alimentation sont bien branchées. Problème de contact. Nettoyez les contacts de charge du socle de charge et du robot.
Le robot ne retourne pas à la station de charge	Il y a trop d'obstacles autour de la station de charge. Placez le socle de charge dans une zone plus ouverte. Veuillez nettoyer la zone d'émission de signal de la station.
Le robot ne fonctionne pas correctement	Éteignez-le robot, puis rallumez-le.
Le robot émet un bruit étrange	Un objet étranger est probablement coincé dans la brosse principale, la brosse latérale ou l'une des roues principales. Arrêtez le robot et enlevez les débris.
Le robot ne nettoie plus correctement ou n'élimine pas toute la poussière	Le bac à poussière est plein. Veuillez le nettoyer. Le filtre est obstrué. Veuillez le nettoyer. Un objet étranger est coincé dans la brosse principale. Veuillez la nettoyer.
Le robot ne peut pas se connecter au Wi-Fi	Un problème avec la connexion Wi-Fi est survenu. Réinitialisez le Wi-Fi et téléchargez la dernière version de l'application Mi Home/Xiaomi Home, puis essayez de vous reconnecter. Le système de localisation n'est pas activé. Veuillez vous assurer que le système de localisation de l'application Mi Home/Xiaomi Home est activé. Le signal Wi-Fi est faible. Assurez-vous que le robot est dans une zone offrant un bon signal Wi-Fi. Le Wi-Fi à 5 GHz n'est pas pris en charge. Veuillez vous assurer que votre robot peut se connecter à un signal Wi-Fi 2,4 GHz. Le nom d'utilisateur ou le mot de passe du Wi-Fi est incorrect. Veuillez vous assurer que le nom d'utilisateur et le mot de passe saisis sont corrects.

Type de problème	Solution
Le robot n'effectue pas le nettoyage programmé	Le niveau de batterie du robot est faible. Le nettoyage programmé ne commence pas tant que le robot ne dispose pas d'au moins 15 % de batterie.
Est-ce que de l'énergie continue d'être consommée lorsque je laisse le robot sur la station de charge tandis qu'il est déjà chargé ?	Laisser le robot sur la station de charge lorsqu'il est entièrement chargé consomme une très petite quantité d'électricité et aide à garantir une performance optimale de la batterie.
Peu d'eau, voire pas du tout ne sort du module de nettoyage ?	Vérifiez que le réservoir d'eau est rempli et nettoyez la serpillière, le cas échéant. Nettoyez la serpillière si elle est sale. Assurez-vous que la serpillière est bien installée conformément au mode d'emploi. Nettoyez le trou d'air du réservoir d'eau.
Le robot ne reprend pas le nettoyage après la charge	Assurez-vous que le robot n'est pas en mode Ne pas déranger, car cela l'empêcherait de reprendre le nettoyage. Le robot ne reprend pas le nettoyage après avoir été placé sur la station de charge ou chargé manuellement.
Le robot ne retourne pas à la station de charge après avoir été déplacé	Le déplacement du robot peut l'obliger à se repositionner ou à recartographier ses environs. Si le robot est trop éloigné de la station de charge, il ne pourra pas y retourner automatiquement. Vous devrez alors le placer manuellement sur la station de charge.

# Spécifications

## Robot

Modèle	RLS5-BL1
Batterie	5200 mAh(Capacité nominale de la batterie)
Temps de Charge	Environ 6 heures
Connectivité sans fil	Wi-Fi IEEE 802.11b/g/n 2,4 GHz
Tension nominale	14,4 V $\overline{=}$
Puissance nominale	40 W
Fréquence de fonctionnement	2400-2483,5 MHz
Puissance maximale en sortie	< 20 dBm

## Station de charge

Modèle	RCS0
Entrée nominale	100-240 V $\sim$ 50/60 Hz 0,5 A
Sortie nominale	19,8 V $\overline{=}$ 1 A

Dans des conditions normales d'utilisation, une distance d'au moins 20 cm entre l'antenne de cet équipement et le corps de l'utilisateur doit être maintenue.

## Informations DEEE



Tous les produits portant ce symbole deviennent des déchets d'équipements électriques et électroniques (DEEE dans la Directive européenne 2012/19/UE) qui ne doivent pas être mélangés aux déchets ménagers non triés. Vous devez contribuer à la protection de l'environnement et de la santé humaine en apportant l'équipement usagé à un point de collecte dédié au recyclage des équipements électriques et électroniques, agréé par le gouvernement ou les autorités locales. Le recyclage et la destruction appropriés permettront d'éviter tout impact potentiellement négatif sur l'environnement et la santé humaine. Contactez l'installateur ou les autorités locales pour obtenir plus d'informations concernant l'emplacement ainsi que les conditions d'utilisation de ce type de point de collecte.

## Informazioni di sicurezza

### Restrizioni per l'utilizzo

Questo prodotto può essere utilizzato da bambini a partire dagli 8 anni di età e da persone con handicap fisici, sensoriali e intellettivi oppure con un'esperienza o conoscenza limitate, sotto la supervisione di un genitore o tutore, al fine di garantire un funzionamento sicuro ed evitare pericoli. I bambini possono pulire ed effettuare la manutenzione solo se supervisionati.

Non consentire ai bambini di giocare con questo prodotto. Assicurarsi che bambini e animali domestici siano a distanza di sicurezza dall'robot mentre è in funzione.

Questo prodotto deve essere usato solo per pulire i pavimenti di casa. Non va usato all'esterno, su superfici diverse dai pavimenti o in ambito commerciale o industriale.

Non utilizzare l'robot in un ambiente sospeso sopra il livello del suolo senza una barriera protettiva.

Non usare l'robot a una temperatura ambiente oltre i 40 ° C o al di sotto di 0 ° C o su pavimenti dove sono presenti liquidi o sostanze appiccicose.

Togliere da terra eventuali cavi prima di utilizzare l'robot, per evitare che vengano tirati durante la pulizia.

Spostare dal pavimento gli oggetti fragili o piccoli per evitare che l'robot li urti e li danneggi.

Tenere lontani capelli, dita e altre parti del corpo dalla boccola di aspirazione dell'robot.

Tenere lo strumento per la pulizia della spazzola lontano dalla portata dei

## Informazioni di sicurezza

### Restrizioni per l'utilizzo

bambini.

Non posizionare bambini, animali domestici o nessun altro oggetto in cima all'robot, sia quando è fermo, sia quando è in movimento.

Non usare l'robot per pulire eventuali sostanze infiammabili.

Non usare l'aspirapolvere su oggetti duri e taglienti.

Accertarsi che l'robot sia spento e che la stazione di ricarica sia scollegata prima di pulire o effettuare operazioni di manutenzione.

Non pulire nessuna parte del prodotto con panni umidi o liquidi.

Utilizzare il prodotto seguendo le istruzioni fornite nel manuale utente. Gli utilizzatori sono responsabili di eventuali perdite o danni derivanti dall'uso improprio dell'apparecchio.

## Informazioni di sicurezza

### Batterie e Ricarica

Non utilizzare batterie, alimentatori o stazioni di ricarica non originali. Utilizzare soltanto con l'unità di alimentazione RCS0.

Non tentare di smontare, riparare o modificare la batteria o la stazione di ricarica da soli.

Non posizionare la stazione di ricarica vicino a fonti di calore.

Non usare panni umidi o mani bagnate per strofinare o pulire i contatti della stazione di ricarica.

Non smaltire in modo improprio le batterie usate. Smaltire le batterie non più necessarie in appositi impianti di riciclaggio.

Se il cavo di alimentazione viene danneggiato o è spezzato, interromperne immediatamente l'utilizzo e contattare il servizio di assistenza post-vendita.

Accertarsi che l'robot sia spento durante il trasporto e conservarlo nella sua confezione originale, se possibile.

Se l'robot non viene utilizzato per diverso tempo, ricaricarlo completamente, quindi spegnerlo e conservarlo in un posto fresco e asciutto. Ricaricare l'robot almeno una volta ogni 3 mesi per evitare uno scaricamento eccessivo della batteria.

Questo prodotto contiene batterie che possono essere sostituite soltanto da tecnici qualificati o dal servizio di assistenza post-vendita.

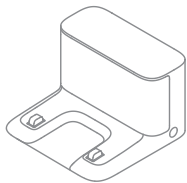
Par la présente, Dreame Trading (Tianjin) Co., Ltd. déclare que cet équipement radio de type RLS5-BL1 est conforme à la Directive européenne 2014/53/UE. L'intégralité de la déclaration de conformité pour l'UE est disponible à l'adresse suivante: [www.dreame-technology.com](http://www.dreame-technology.com)

Il manuale elettronico dettagliato è disponibile all'indirizzo <https://www.dreame-technology.com/pages/user-manuals-and-faqs>



# Presentazione del prodotto

## Lista degli accessori



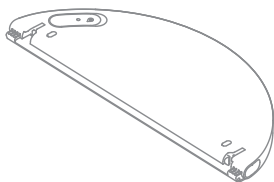
Stazione di ricarica



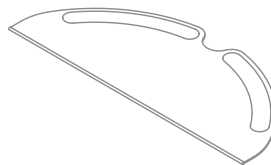
Strumento di pulizia



Cavo di alimentazione



Serbatoio d'acqua



Panno di lavaggio

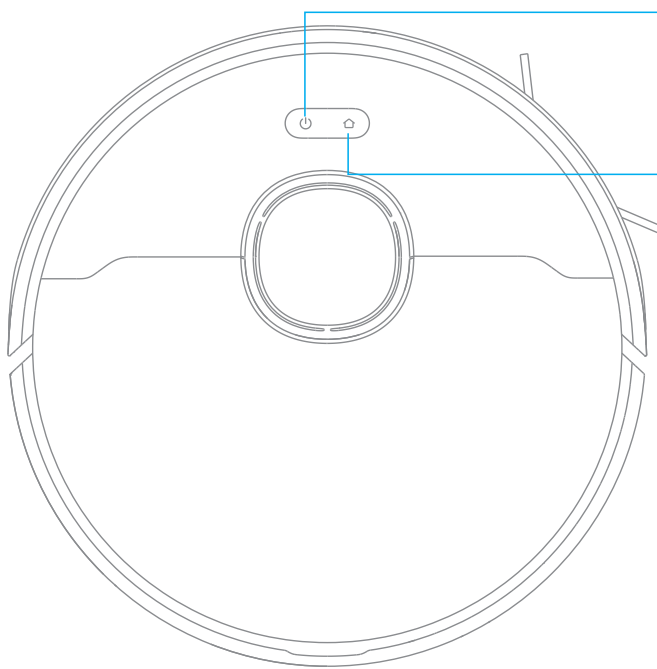


Spazzola laterale

**Nota:** Le immagini di questo manuale sono solo di riferimento, attenersi al dispositivo reale per valutare il suo aspetto.

# Presentazione del prodotto

## Dispositivo principale



### Pulsante di accensione/spengimento/pulizia

- Tenere premuto per 3 secondi per accendere/spengere
- Premere il pulsante per iniziare a pulire dopo l'accensione del robot

### Ritorno in carica/Modalità di Pulizia macchia

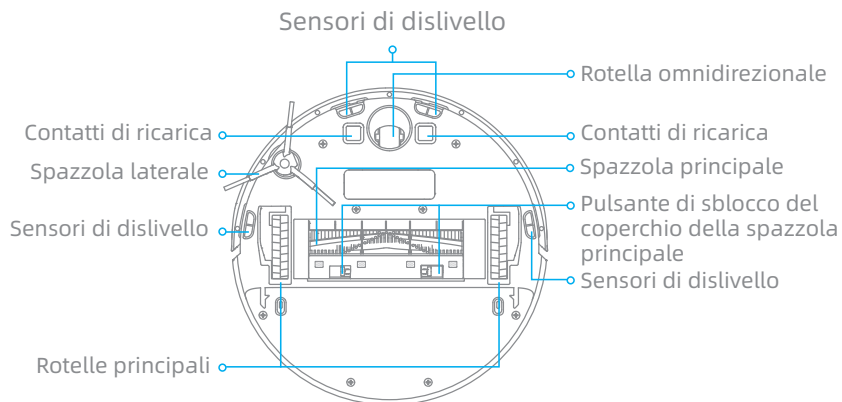
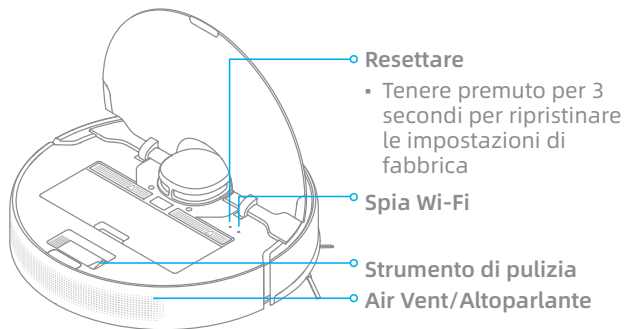
- Premere il pulsante una volta per attivare il ritorno in ricarica
- Tenere premuto per 3 secondi per avviare la modalità Pulizia macchia

### Indicatore di stato

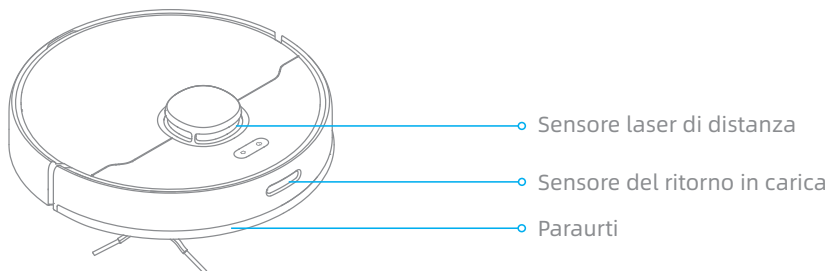
- Bianco: Pulizia/La pulizia è stata completata/La ricarica è stata completata
- Bianco lampeggiante: Ritorno alla base per ricarica (batteria normale)
- Bianco fisso: In carica (batteria normale)
- Arancione lampeggiante: Ritorno alla base per ricarica (batteria scarica)/errore
- Arancione fisso: In carica (batteria scarica)

# Presentazione del prodotto

## Dispositivo principale

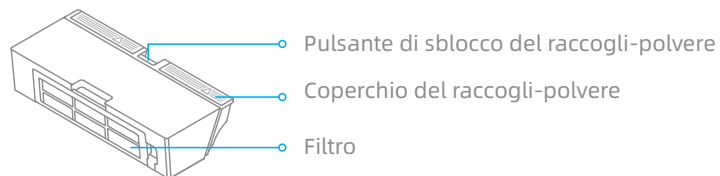


## Sensore del dispositivo principale

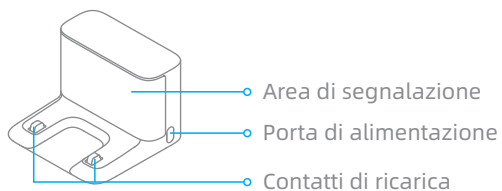


# IT Presentazione del prodotto

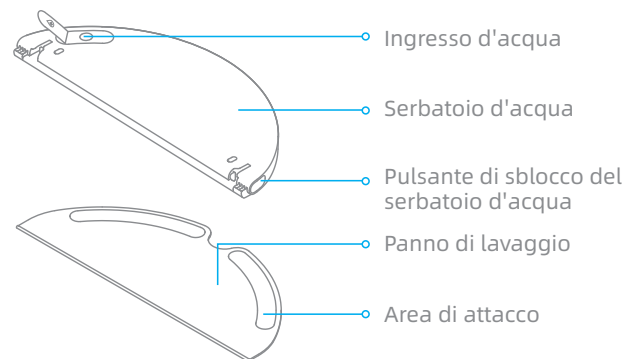
## Raccogli-polvere



## Stazione di ricarica



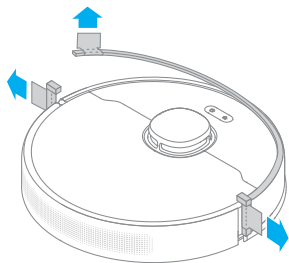
## Modulo di lavaggio



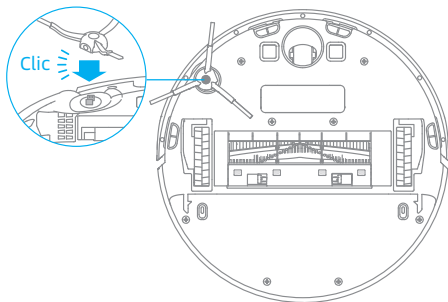
# Preparazione prima dell'uso

## 1. Rimozione della pellicola protettiva

Rimuovere le pellicole protettive dal robot.

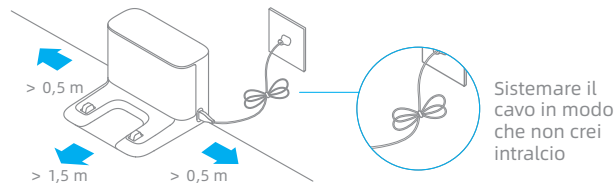


## 2. Installazione delle spazzole laterali



**Nota:** Installare la spazzola laterale fino a quando non risulterà fissata facendo clic.

## 3. Posizionare la Stazione di ricarica sul pavimento a ridosso del muro e collegarla all'alimentazione



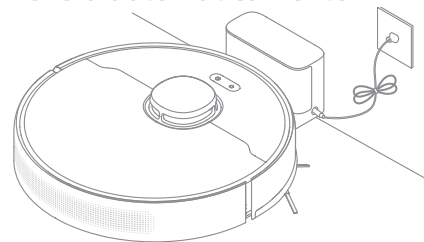
### Nota:

- Assicurarsi che non siano presenti oggetti in prossimità della stazione di ricarica, né lateralmente (a meno di 0,5 metri) né frontalmente (a meno di 1,5 metri).
- Assicurarsi che il robot e la stazione di ricarica si trovino in una zona coperta da segnale Wi-Fi per garantire la connessione ottimale del robot al telefono cellulare.
- Non posizionare la stazione di ricarica sotto la luce diretta del sole o dove altri oggetti potrebbero bloccare il suo segnale, perché questo potrebbe impedire al robot di ritornare alla stazione di ricarica.

## 4. Posizionare il robot sulla stazione di ricarica. Si accenderà e si ricaricherà automaticamente

 Indicatore del livello di batteria

- Bianco: il livello della batteria è superiore al 15%
- Arancione: il livello della batteria è inferiore al 15%



### Nota:

- Prima del primo utilizzo ricaricarlo completamente
- Non installare il Serbatoio d'acqua e panno di lavaggio durante la ricarica. In modo che non farlo danneggiare il pavimento.

# Connessione con l'app Mi Home

Questo prodotto è stato inserito nell'app Mi Home e potrà essere comandato dall'app Mi Home e collegato con altri prodotti.

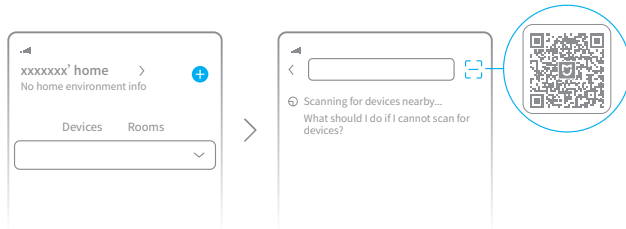
## 1. Scaricare l'app Mi Home

Cercare Mi Home nell'app store o scansionare il codice QR qui sotto per scaricare e installare l'app Mi Home.



## 2. Aggiungi dispositivo



Aprire l'app Mi Home e premere "+" nell'angolo in alto a destra per aggiungere un dispositivo. Poi premere "🔗" nello stesso punto, e scansionare il codice QR, aggiungere "Dreame Bot D9 Max" e seguire i comandi per concludere la connessione.

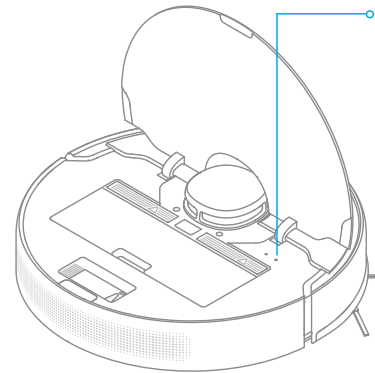


### Nota:

- La connessione Wi-Fi supporta solo il segnale su banda 2,4 GHz.
- Poiché la versione dell'app potrebbe essere stata aggiornata, seguire le istruzioni della versione dell'app corrente.

## 3. Ripristino della connessione Wi-Fi

Solleverla la copertura superiore per verificare la spia Wi-Fi, premere i pulsanti  e  fino al messaggio sonoro "Attesa configurazione della rete". L'indicatore Wi-Fi inizierà a lampeggiare lentamente al riconoscimento delle informazioni di rete.



### Spia Wi-Fi

- Lampeggia lentamente: attende la connessione
- Lampeggia velocemente: si sta connettendo
- Accesa: Wi-Fi connesso


**Nota:** In caso di connessione non riuscita, ripristinare le informazioni Wi-Fi e aggiungere nuovamente il dispositivo.

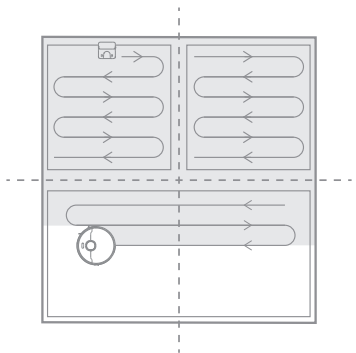
# Istruzioni utente

## 1. Accensione/Spegnimento

Premere il pulsante power  fino all'accensione della spia e il robot sarà in modalità di standby. A robot fermo, premere il pulsante  per 3 secondi per spegnerlo.

## 2. Avvio pulizia

Premere brevemente il pulsante , per accendere il robot. All'attivazione, il robot tratterà accuratamente un percorso, pulirà metodicamente lungo i bordi e le pareti, e poi finirà pulendo ogni stanza secondo uno schema a forma di S per garantire un lavoro completo.



### Nota:

Se il livello della batteria è basso, il robot ritornerà automaticamente alla stazione di ricarica. Riprenderà la pulizia interrotta dopo essersi ricaricato appropriatamente.

(Il programma di ripresa della pulizia deve essere attivato prima nell'App)

## 3. Modalità di pulizia

Nell'app Mi Home sono disponibili quattro modalità di pulizia: Silenziosa, Standard, Alta potenza e Turbo. La modalità predefinita è quella Standard.

## 4. Pausa/Risparmio energetico

Pausa: premere qualsiasi pulsante per mettere in pausa il robot durante la pulizia.

Risparmio energetico: il robot entrerà automaticamente in modalità Risparmio energetico dopo 10 minuti di inattività e gli indicatori di alimentazione e ricarica si spegneranno. Per riattivare il robot, premere un pulsante qualsiasi.

### Nota:

- Il robot si spegnerà automaticamente se lasciato in modalità riposo per più di 12 ore quando non è in ricarica.
- Quando il dispositivo principale è in pausa, l'attività di pulizia terminerà se verrà posizionato sulla stazione di ricarica.

## 5. Modalità ND (Non disturbare)

La modalità ND evita che il robot avvii automaticamente le attività di pulizia; l'indicatore di alimentazione resta spento. È possibile attivare la modalità ND oppure modificarne l'orario di attivazione nell'app.


(L'impostazione predefinita è dalle 20:00 alle 08:00.)

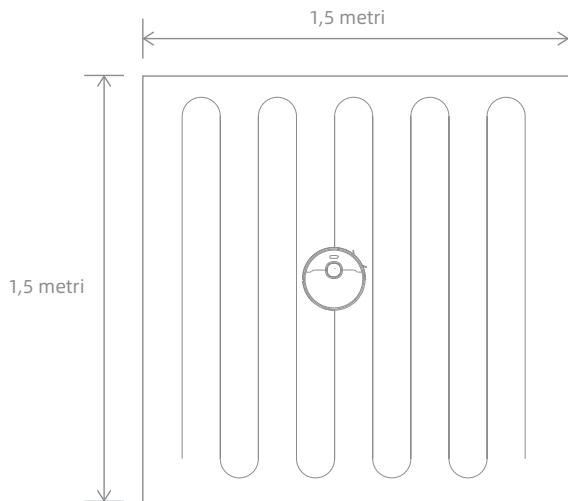
### Nota:

- Le pulizie programmate verranno comunque eseguite anche in modalità ND.
- Il robot riprenderà le normali attività di pulizia al termine del periodo ND prestabilito.

## Istruzioni utente

### 6. Modalità di Pulizia macchia

Quando il robot è in modalità di standby o in pausa, tenere premuto il pulsante  per 3 secondi per avviare la Pulizia Macchia. In questa modalità, verrà pulita un'area quadrata di 1,5 x 1,5 metri tutto intorno al robot. Quando la pulizia a macchia è stata conclusa, il robot tornerà automaticamente alla sua posizione originaria e si spegnerà.



**Nota:** Avviare la Pulizia Macchia quando il robot è in Pausa terminerà questa pulizia.

### 7. Pulizia programmata

È possibile programmare l'ora per la pulizia nell'app Mi Home. Il robot inizierà a pulire automaticamente all'orario selezionato e, una volta conclusa la pulizia, tornerà sulla stazione di ricarica per ricaricarsi.

### 8. Più funzioni nell'app

Segui le istruzioni sull'interfaccia dell'app per l'utilizzo di queste funzioni.

La versione dell'app potrebbe essere stata aggiornata e si prega di seguire le istruzioni che fanno riferimento alla versione corrente.

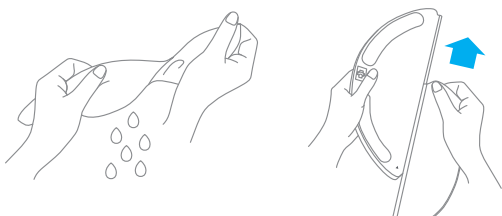


## Istruzioni utente

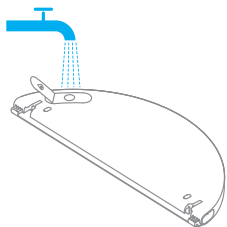
### 9. Usare la funzione di lavaggio

Si consiglia di procedere all'aspirazione del pavimento almeno tre volte prima della prima sessione di lavaggio per avere una migliore pulizia.

1) Inumidire il panno di lavaggio e strizzare l'acqua in eccesso. Far scorrere il panno fino in fondo nel vano del serbatoio d'acqua finché non è saldamente in posizione.

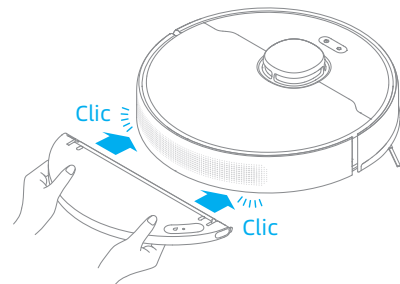


2) Aprire il coperchio del serbatoio d'acqua e riempire d'acqua.



**Nota:** Non utilizzare detersivi o disinfettanti.

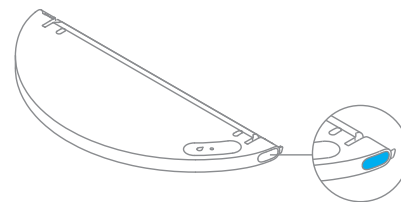
3) Installare il serbatoio nel dispositivo, e farlo scorrere fino in fondo finché non scatta in posizione con un "clic". Premere il pulsante  oppure utilizzare l'app Mi Home per avviare la pulizia.



**Nota:**

- Si sconsiglia usare la funzione di lavaggio sui tappeti.
- Usare l' app per regolare il flusso d'acqua a seconda della necessità.

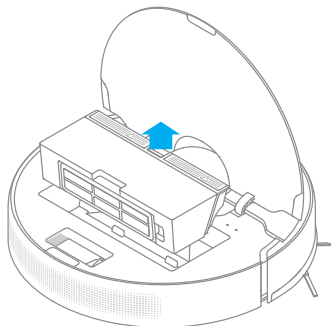
4) Per rimuovere il serbatoio, premere i pulsanti di sblocco laterali verso l'interno e tirarlo all'indietro.



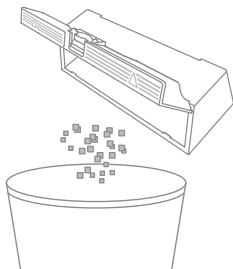
**Nota:** Quando il robot è in fase di ricarica o non è in uso, rimuovere il modulo di lavaggio, svuotare l'acqua rimasta nel serbatoio e pulire il panno di lavaggio al fine di evitare la formazione di muffe o odori persistenti.

## Pulizia del raccogli-polvere e del filtro

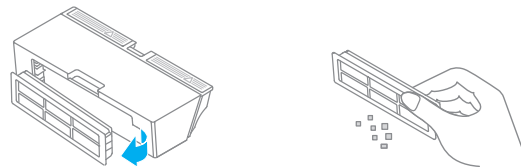
1. Aprire il coperchio del dispositivo principale ed estrarre il raccogli-polvere tirandolo verso l'alto premendo il pulsante di sblocco.



2. Aprire il coperchio del raccogli-polvere come indicato dalla freccia e svuotarlo.

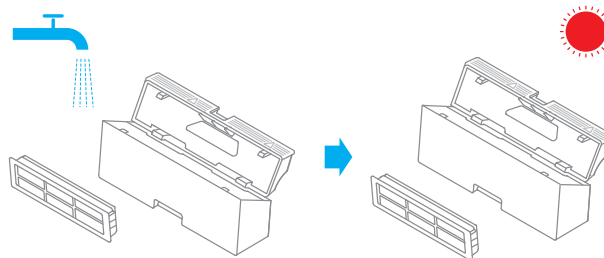


3. Rimuovere il filtro e tamponare leggermente i lati del filtro per rimuovere la polvere in eccesso.



**Nota:** Non pulire il filtro con una spazzola o con le dita.

4. Lavare leggermente sotto acqua corrente il raccogli-polvere e il filtro e lasciarli asciugare prima di reinstallarli.



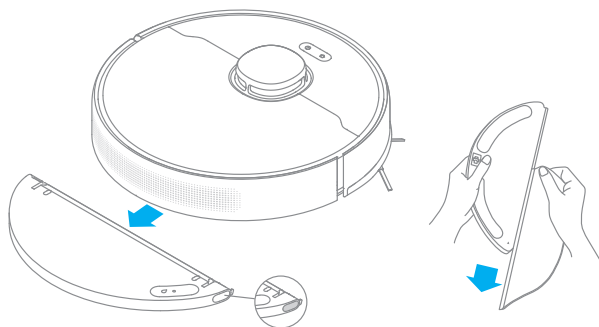
**Nota:**

- Utilizzare soltanto acqua pulita per pulire il filtro. Non usare detersivi.
- Il filtro deve essere completamente asciutto prima dell'uso.

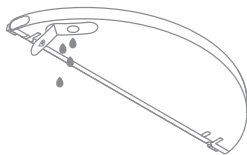
# Manutenzione quotidiana

## Pulizia del modulo di lavaggio

1. Premere i pulsanti di sblocco laterali del serbatoio, tirare all'indietro il modulo di lavaggio e rimuovere il panno di lavaggio.

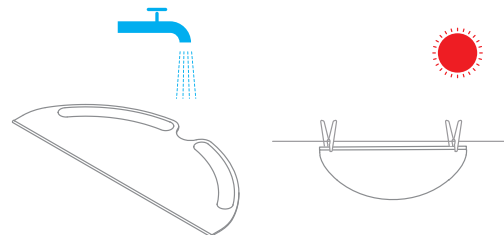


2. Svuotare l'acqua residua nel serbatoio d'acqua e lasciarlo asciugare naturalmente.



**Nota:** Non esporre il serbatoio alla luce diretta del sole.

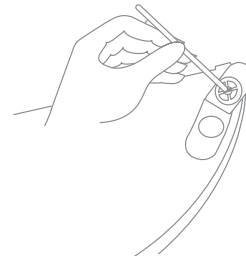
3. Pulire e far asciugare il panno di lavaggio.



**Nota:**

- Rimuovere il panno dal modulo prima di pulirlo, per evitare che l'acqua sporca ritorni nell'uscita d'acqua e causi intasamenti.
- Per una efficienza ottimale, si raccomanda di sostituire il panno ogni 3 o 6 mesi.

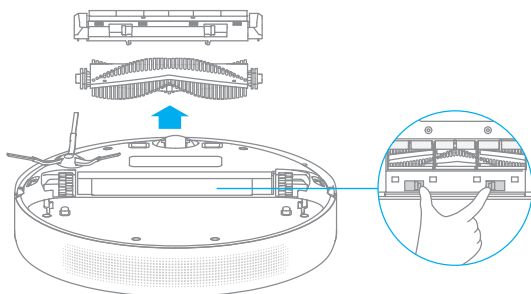
4. Se il flusso d'acqua non è regolare o è rallentato si prega di pulire la bocchetta d'aria sul coperchio del serbatoio.



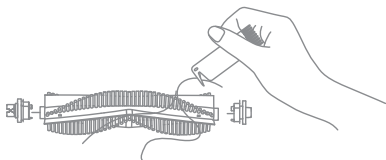
## Manutenzione quotidiana

### Pulizia della spazzola principale

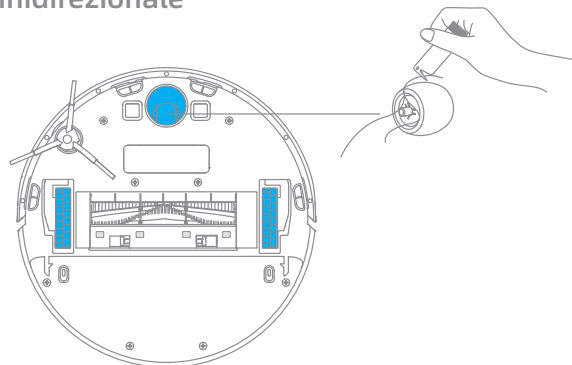
Premere i pulsanti di sblocco laterali della protezione della spazzola principale ed estrarre la spazzola.



Rimuovere i coperchi della spazzola come indicato nell'illustrazione. Usare lo strumento di pulizia fornito in dotazione per rimuovere i capelli aggrovigliati alla spazzola.



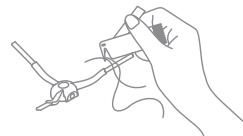
### Pulizia della rotella principale e della rotella omnidirezionale



**Nota:** Utilizzare uno cacciavite o simile per rimuovere le parti della rotella.

### Pulizia delle spazzole laterali

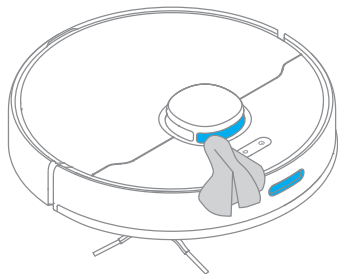
Rimuovere le spazzole laterali e usare lo strumento di pulizia fornito in dotazione per rimuovere i grovigli di capelli.





## Manutenzione quotidiana

**Nota:** Si prega di usare un panno asciutto per la pulizia, in quanto il dispositivo principale e l'interno della stazione di ricarica contengono elementi sensibili. Non usare panni bagnati per evitare l'insorgere di danni causati dall'acqua.

### Pulizia del Sensore laser di distanza/ sensore del ritorno in carica



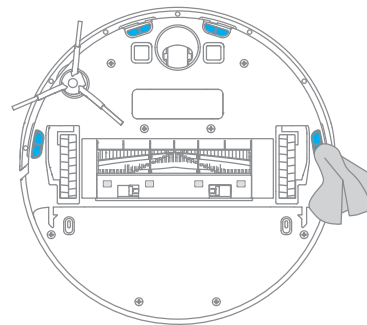
### Riavvio del robot

Se il robot smette di rispondere o non può essere spento, tenere premuto il pulsante  per 10 secondi per forzarne lo spegnimento. Quindi tenere premuto il pulsante  per 3 secondi per riaccendere il robot.

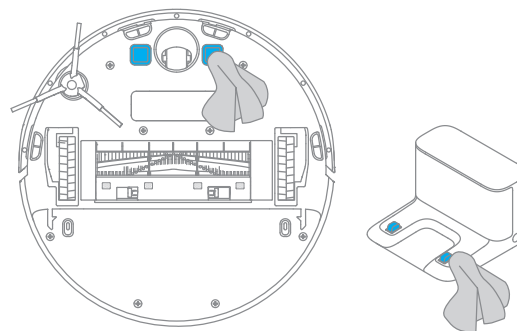
### Batteria

Il robot contiene una batteria agli ioni di litio ad alte prestazioni. Assicurarsi che l'apparecchio resti carico durante l'utilizzo quotidiano per mantenere le prestazioni ottimali della batteria. Se il robot non viene utilizzato per lungo tempo, spegnerlo e conservarlo. Per evitare danni da scaricamento eccessivo, ricaricare il robot almeno una volta ogni tre mesi.

### Pulizia del sensore di dislivello



### Pulire il contatto della carica



## Problemi comuni

Problema	Soluzione
Il robot non si accende	Il livello della batteria è basso. Ricaricare il robot sulla stazione di ricarica, e poi riprovare. La temperatura ambientale è troppo bassa (meno di 0° C) o troppo alta (oltre 40°C). La temperatura di funzionamento va da 0° C a 40°C .
Il robot non si ricarica	La stazione di ricarica non riceve alimentazione. Verificare che entrambe le estremità del cavo di alimentazione siano collegate correttamente. Problema sui terminali. Pulire i terminali di ricarica della stazione di ricarica e del robot.
Il robot non ritorna alla stazione di ricarica	Ci sono troppi ostacoli intorno alla stazione di ricarica. Posizionare la stazione di ricarica in una zona più libera. Pulire il ricevitore della stazione di ricarica.
Il robot non funziona bene	Spegnere e riaccendere il robot.
Il robot fa uno strano rumore	Potrebbe essersi incastrato un oggetto estraneo in una delle spazzole o in una delle rotelle principali. Spegnere il robot e rimuovere eventuali residui.
Il robot non pulisce più con la stessa efficienza di prima o lascia polvere dietro di sé	Il raccogli-polvere è pieno. Svuotarlo. Il filtro è intasato. Pulirlo. Un oggetto estraneo si è incastrato nella spazzola principale. Eliminarlo.
Il robot non riesce a collegarsi al Wi-Fi	La connessione Wi-Fi potrebbe non essere stabile. Resettare il Wi-Fi e scaricare l'ultima versione dell'app Mi Home/Xiaomi Home, poi provare a riconnetterti. L'accesso alla posizione non è stato autorizzato. Assicurarsi che l'accesso alla posizione sia stato autorizzato sull'app MI HOME. Il segnale Wi-Fi è troppo debole. Assicurarsi che il robot sia in una zona coperta dal segnale Wi-Fi. La frequenza 5 Ghz del Wi-Fi non è supportata. Assicurarsi che il robot sia connesso alla banda Wi-Fi 2.4 Ghz. Il nome utente o la password del Wi-Fi non sono corretti. Assicurarsi di aver inserito le informazioni corrette.

## Problemi comuni

Problema	Soluzione
Il robot non effettua la pulizia programmata	Il robot ha la batteria scarica. La pulizia programmata non inizierà a meno che il robot non sia stato ricaricato in tempo.
Il robot continua a consumare energia anche quando si trova sulla stazione di ricarica	Se il robot viene lasciato sulla stazione di ricarica, il consumo di energia sarà minimo e ciò contribuirà a salvaguardare la batteria per garantirne prestazioni ottimali.
Dal modulo di lavaggio non esce acqua o ne esce poca	<p>Verificare che nel serbatoio d'acqua ci sia acqua.            Pulire il panno se diventa stroppo sporco.            Accertarsi che il panno di lavaggio sia installato correttamente facendo riferimento al manuale d'uso.            Si raccomanda una pulizia sistematica del foro d'aria sul coperchio del serbatoio d'acqua.</p>
Il robot non riprende automaticamente la pulizia dopo essersi ricaricato	Accertarsi che il robot non sia impostato sulla modalità ND (Non disturbare) che ne impedisce la ripresa della pulizia.
Il robot non ritorna sulla stazione di ricarica dopo essere stato spostato	Lo spostamento del robot potrebbe alterarne la capacità di riconoscimento dello spazio circostante. Se il robot è troppo lontano dalla stazione di ricarica, potrebbe non riuscire a tornare automaticamente alla stazione di ricarica da solo, nel qual caso sarà necessario posizionarlo manualmente su di essa.

## Specifiche tecniche

### Dispositivo principale

Modello	RLS5-BL1
Batteria	5200 mAh(capacità nominale della batteria)
Tempo di ricarica	Circa 6 ore
Connessione Wi-Fi	Wi-Fi IEEE 802.11b/g/n 2,4 GHz
Tensione nominale	14,4 V $\overline{\text{---}}$
Potenza nominale	40 W
Frequenza d'esercizio	2400-2483,5 MHz
Potenza in uscita massima	< 20 dBm

### Stazione di ricarica

Modello	RCS0
Ingresso nominale	100-240 V $\sim$ 50/60 Hz 0,5 A
Uscita nominale	19,8 V $\overline{\text{---}}$ 1 A

In condizioni d'uso normali, mantenere una distanza minima di 20 cm dall'antenna del dispositivo.

### Informazioni RAEE



Tutti i prodotti contrassegnati da questo simbolo sono rifiuti di apparecchiature elettriche ed elettroniche (RAEE in base alla direttiva 2012/19/UE) che non devono essere smaltiti assieme a rifiuti domestici non differenziati. Al contrario, è necessario proteggere l'ambiente e la salute umana consegnando i rifiuti a un punto di raccolta autorizzato al riciclaggio di rifiuti di apparecchiature elettriche ed elettroniche, predisposto dalla pubblica amministrazione o dalle autorità locali. Lo smaltimento e il riciclaggio corretti aiutano a prevenire conseguenze potenzialmente negative all'ambiente e alla salute umana. Contattare l'installatore o le autorità locali per ulteriori informazioni sulla sede e per i termini e le condizioni di tali punti di raccolta.



## Información de seguridad

### Restricciones de uso

Este producto puede ser usado por niños a partir de los 8 años y por personas con problemas físicos, sensoriales, intelectuales o experiencia o conocimientos limitados bajo la supervisión de un padre o tutor para garantizar un funcionamiento seguro y evitar cualquier riesgo de peligro. La limpieza y mantenimiento no deben ser realizadas por niños sin supervisión.

Los niños no deben jugar con este producto. Asegúrese de que tanto niños como mascotas mantienen una distancia de seguridad mientras esté en funcionamiento.

Este producto es solo apto para la limpieza de suelos en el entorno del hogar. No lo use en el exterior o en otras superficies, o en un entorno comercial o industrial.

No use el robot en un área suspendida del suelo sin una barrera protectora.

No use el robot con una temperatura ambiente superior a 40° C o por debajo de 0° C, o si el suelo contiene líquidos o sustancias pegajosas.

Recoja cualquier cable del suelo antes de usar el robot para evitar que se dañen durante la limpieza.

Recoja objetos frágiles o pequeños del suelo para evitar que el robot los succione y los dañe.

Mantenga el pelo, los dedos u otra parte del cuerpo alejados de la zona de succión del robot.

Mantenga el cepillo de limpieza fuera del alcance de los niños.

No coloque niños, mascotas o cualquier objeto encima del robot si este se encuentra estacionado o en movimiento.

## Información de Seguridad

### Restricciones de uso

No use el robot para limpiar sustancias tóxicas o inflamables.

No aspire objetos duros o afilados.

Asegúrese de que el robot está apagado y la base de carga desconectada antes de limpiarlos o realizar labores de mantenimiento.

No limpie ninguna parte de este producto con un paño húmedo o cualquier líquido.

Por favor, use este producto de acuerdo a las instrucciones del manual. Los usuarios son responsables de cualquier pérdida o daño debidos a un uso indebido del producto.

## Información de Seguridad

### Baterías y carga

No utilice baterías, cargadores, ni bases de carga de terceros. Usar sólo con la unidad de alimentación RCS0.

No intente desarmar, reparar ni modificar la batería o la base de carga por su cuenta.

No coloque la base de carga cerca de una fuente de calor.

No utilice un paño húmedo ni las manos mojadas para limpiar los contactos de carga de la base.

No deseche las pilas usadas de forma inadecuada. Las baterías que ya no se necesitan deben desecharse en una instalación de reciclaje adecuada.

Si se daña o se rompe el cable de alimentación, deje de usarlo inmediatamente y póngase en contacto con el servicio posventa.

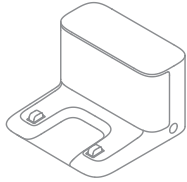
Asegúrese de que el robot esté apagado cuando lo transporte y guárdelo en su embalaje original si es posible.

Si no va a utilizar el robot durante un largo periodo de tiempo, cárguelo completamente, apáguelo y guárdelo en un lugar fresco y seco. Recargue el robot al menos una vez cada 3 meses para evitar la sobredescarga de la batería.

Este producto contiene baterías que solo pueden ser reemplazadas por técnicos cualificados o por el servicio posventa.

# Descripción general del producto

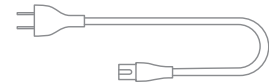
## Accesorios



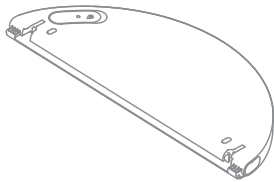
Base de carga



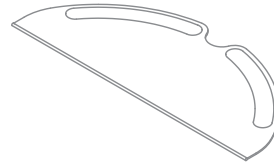
Herramienta de limpieza



Cable de alimentación



Depósito de agua



Mopa

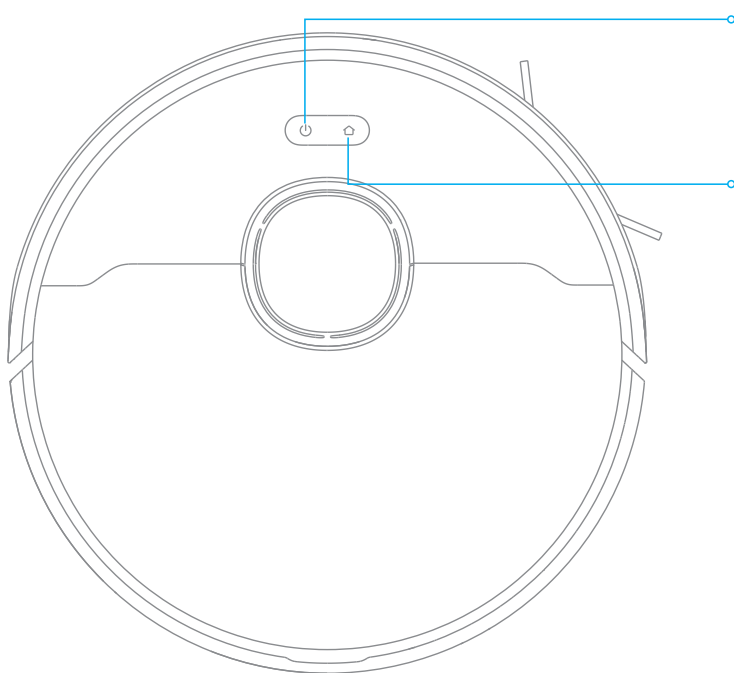


Cepillo lateral

**Nota:** Las ilustraciones del presente manual son solo de referencia, consulte la apariencia real en el producto adquirido.

# Descripción general del producto

## Robot



### Botón de encendido/limpieza

- Botón de encendido/apagado: mantener pulsado durante 3 segundos
- Una vez encendido, pulse para iniciar la limpieza

### Botón base/Botón Limpieza localizada

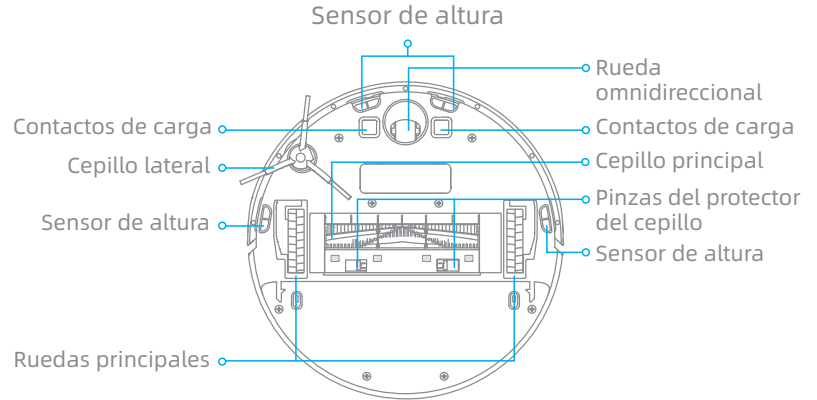
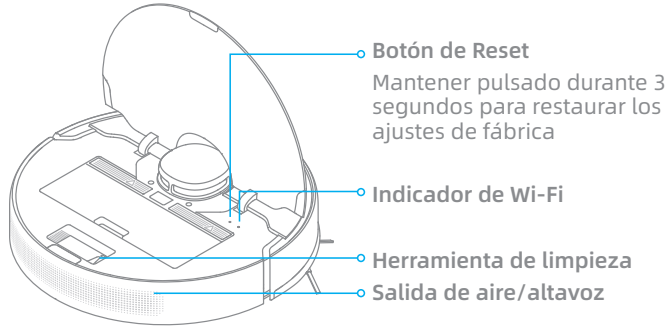
- Pulsar para enviar el robot de vuelta a la base de carga
- Mantener pulsado 3 segundos para iniciar el modo Limpieza de manchas

### Indicador de estado

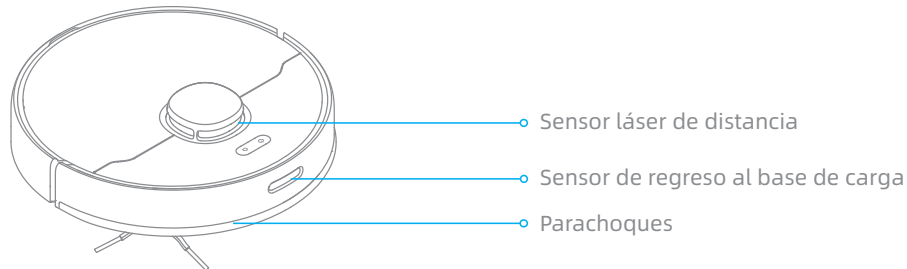
- Blanco: limpieza / limpieza completada / carga completada
- Blanco intermitente: volviendo a la base para cargar (batería normal)
- Blanco pulsante: cargando (batería normal)
- Naranja intermitente: volviendo a la base para cargar (batería baja)/Error
- Naranja pulsante: cargando (batería baja)

# Descripción general del producto

## Robot

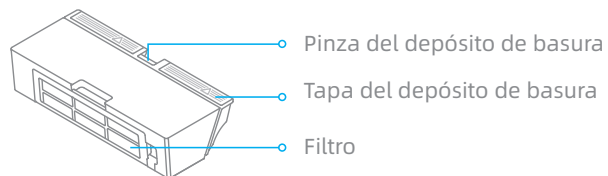


## Sensores del robot

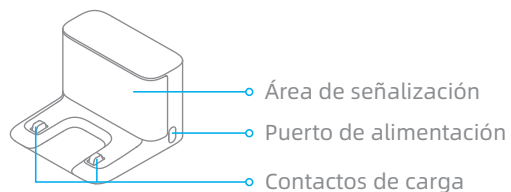


# Descripción general del producto

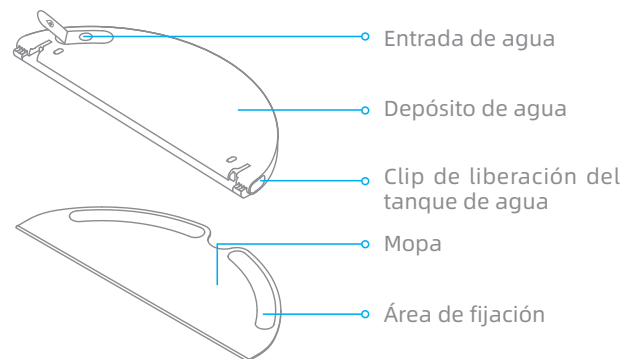
## Depósito de basura



## Base de carga



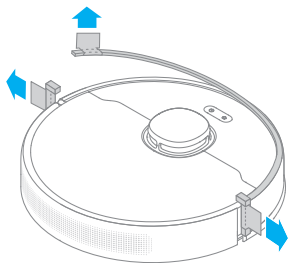
## Módulo de fregado



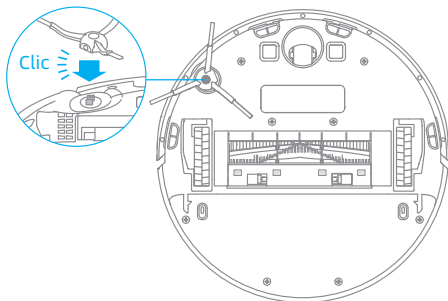
# Preparación antes del uso

## 1. Retire la película protectora

Quite la película protectora del robot.

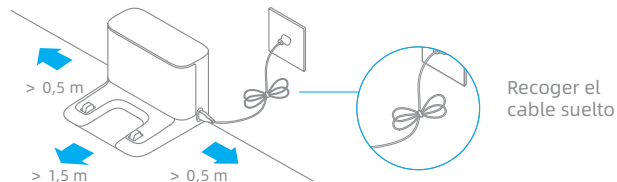


## 2. Instale el cepillo lateral



**Nota:** Instale los cepillos laterales hasta que encajen en su sitio.


## 3. Coloque el base de carga en un suelo nivelado contra la pared y conecte a la fuente de alimentación



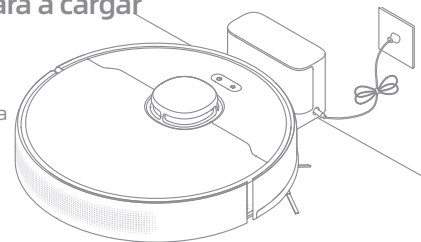
### Nota:

- Asegúrese de que haya una distancia de 0,5 metros o más a cada lado del base de carga, y más de 1,5 metros enfrente.
- Para garantizar una buena conexión del robot con su teléfono, asegúrese de que el robot y el base de carga estén dentro del alcance del Wi-Fi.
- No coloque el base de carga en una zona con luz solar directa o donde objetos puedan bloquear la zona de señal, ya que esto podría afectar al retorno del robot al base de carga.

## 4. Coloque el robot en la base de carga para recargar la batería. El robot se encenderá automáticamente y la batería comenzará a cargar

 Indicador de nivel de batería

- Blanco: el nivel de batería es superior al 15 %
- Naranja: el nivel de batería es inferior al 15 %



### Nota:

- Cargue por completo antes del primer uso.
- No instale el módulo de mopa cuando el aspirador se esté cargando. Tenga cuidado con la mopa húmeda, ya que puede dañar el suelo.



# Conectar con la aplicación Mi Home / Xiaomi Home

Este producto funciona con la aplicación Mi Home / Xiaomi Home\*.

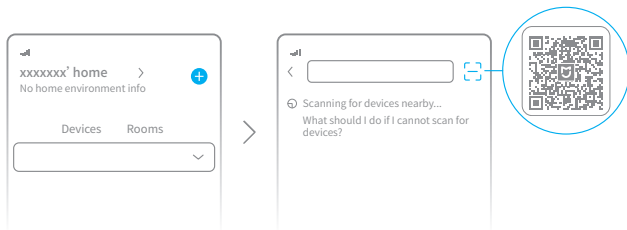
## 1. Descargue la Aplicación Mi Home/Xiaomi Home

Escanee el código QR para descargar e instalar la aplicación. Se le dirigirá a la página de configuración de conexión si la aplicación ya está instalada. O busque "Mi Home / Xiaomi Home" en la App Store para descargarla e instalarla.



## 2. Añadir dispositivo



Abra la aplicación Mi Home / Xiaomi Home, toque "+" en la parte superior derecha. Luego toque la esquina superior derecha "📶" de nuevo, escanee el código QR, añada "Dreame Bot D9 Max" y siga las indicaciones para finalizar la conexión.

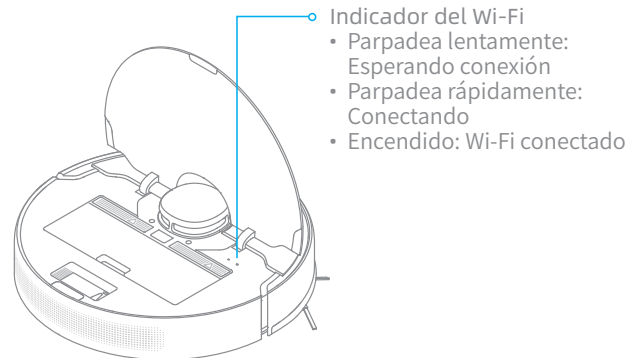


### Nota:

- Solo admite Wi-Fi de 2,4 GHz.
- Puede que la versión de la aplicación se haya actualizado, siga las instrucciones específicas de la versión actual.

## 3. Restablecer Wi-Fi



Mantenga pulsados al mismo tiempo los botones  y  hasta que escuche: «Esperando configuración de red». Cuando el indicador parpadee lentamente, el Wi-Fi se habrá restablecido correctamente.




**Nota:** Cuando el teléfono no se conecta correctamente al robot, reinicie el Wi-Fi y añada de nuevo el dispositivo.

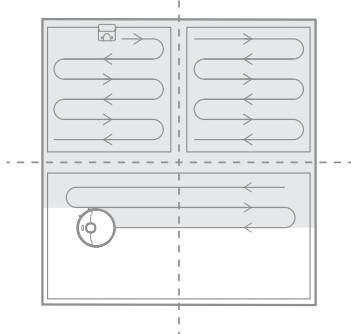
# Modo de uso

## 1. Encender/apagar

Mantenga pulsado el botón  durante 3 segundos para encender el robot. Una vez que el indicador de encendido se vuelva completamente blanco, el robot entrará en modo de espera. Para apagar el robot, mantenga pulsado el botón  durante 3 segundos mientras esté parado.

## 2. Comenzar Limpieza

Presione el botón  brevemente para encender el robot. Tras la activación, el robot diseñará con precisión una ruta, limpiará metódicamente a lo largo de los bordes y las paredes, luego terminará limpiando cada habitación en un patrón en forma de S para garantizar una limpieza completa.



**Nota:** Si la batería está baja, el robot volverá automáticamente al puerto para cargar. Reanudará las tareas incompletas de limpieza tras haber recargado la batería a la potencia adecuada.  
(Para reanudar Modo de Limpieza es necesario activarlo primero en la Aplicación)

## 3. Modo de limpieza

En la aplicación Mi Home/Xiaomi Home hay cuatro modos de limpieza disponibles: Tranquilo, Normal, Fuerte y Turbo. El modo predeterminado es el estándar.

## 4. Pausar/Modo Suspensión

Pausar: pulse cualquier botón para pausar el robot durante la limpieza.

Modo Suspensión: el robot activará automáticamente el modo Suspensión tras 10 minutos de inactividad. A continuación, se apagarán los indicadores de energía y de carga. Para volver a activar el robot, pulse cualquier botón.

### Nota:

- El robot se apagará automáticamente si se mantiene en modo Suspensión durante más de 12 horas.
- Cuando el robot esté parado, colocarlo en la base de carga finalizará la tarea de limpieza actual.

## 5. Modo No molestar

El modo No molestar evita que el robot comience automáticamente las tareas de limpieza y el indicador de energía permanecerá apagado. Puede activar el modo No molestar o modificar sus horas desde la aplicación.


Este modo se activa por defecto desde las 22:00 hasta las 08:00.

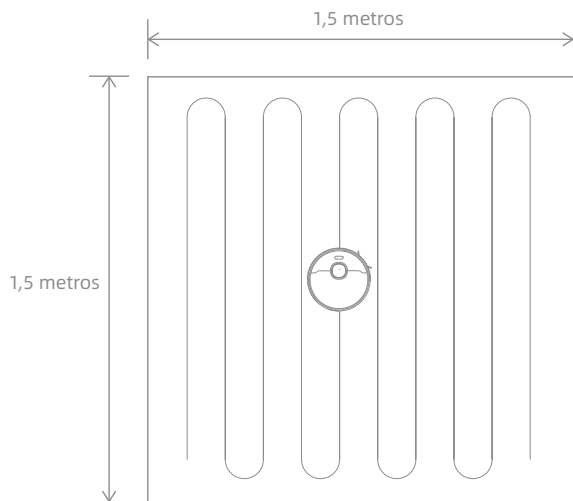
### Nota:

- Sin embargo, las limpiezas programadas se llevarán a cabo durante el período DND.
- El robot continuará limpiando una vez que finalice este periodo.

## Modo de uso

### 6. Modo Limpieza localizada

Cuando el robot con mopa esté en modo de espera o en pausa, mantenga pulsado el botón  durante 3 segundos para activar el modo Limpieza de manchas. En este modo, se limpiará una zona cuadrada de 1,5 x 1,5 metros alrededor del robot. Cuando termine la limpieza de las manchas, el robot regresará automáticamente a su ubicación original y se apagará.



**Nota:** Activar el modo Limpieza de manchas finalizará la tarea de limpieza actual.

### 7. Limpieza programada

Puede programar la hora de la limpieza en la aplicación Mi Home/Xiaomi Home. El robot empezará automáticamente la limpieza en el momento indicado y, una vez terminada, volverá a la base de carga.

### 8. Más Funciones de la aplicación

Siga las instrucciones de la interfaz de la aplicación para usar más funciones.

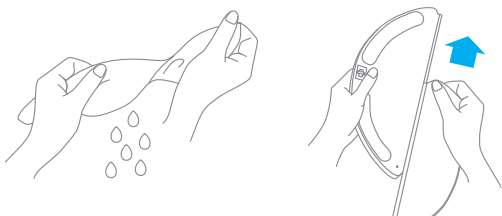
Puede que la versión de la aplicación se haya actualizado, siga las instrucciones específicas de la versión actual.

## Modo de uso

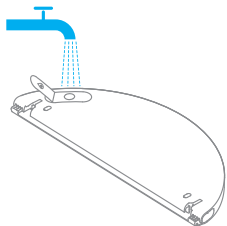
### 9. Usar la función de fregado

Para obtener un mejor resultado de limpieza, se recomienda aspirar todos los suelos al menos tres veces antes de la primera sesión de fregado.


1) Humedezca la mopa y escurra el exceso de agua. Deslícela hasta el fondo de la ranura del depósito de agua hasta que quede bien colocada.

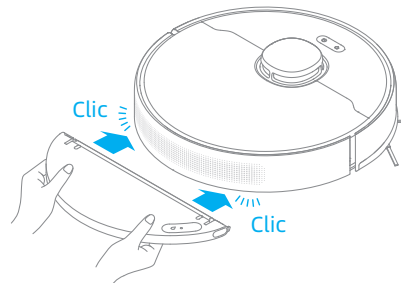


2) Abra la tapa del depósito de agua, rellénelo y cierre la tapa de forma segura.



**Nota:** No utilice detergentes ni desinfectantes.

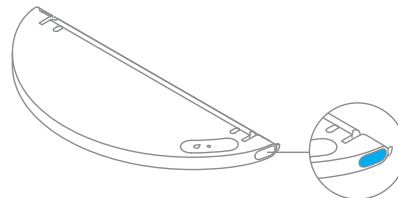
3) Inserte el módulo de fregado en paralelo, como indica la flecha, y deslícelo en la parte trasera del robot hasta que encaje. Pulse el botón , o puede utilizar la aplicación Mi Home/Xiaomi Home para empezar la limpieza.



**Nota:**

- No se recomienda usar la función de fregado en alfombras.
- Use la aplicación para ajustar el flujo de agua.

4) Para retirar el depósito de agua, presione hacia adentro ambos lados y deslice el depósito hacia atrás para separarlo del robot.

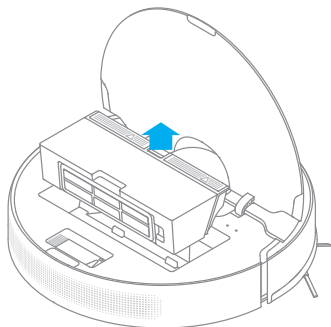


**Nota:** Cuando el robot esté cargándose o no esté en uso, extraiga el módulo de fregado, saque el agua que quede en el depósito y limpie la almohadilla de la mopa para evitar moho y olores persistentes.

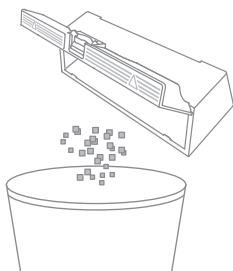
# Mantenimiento rutinario

## Contenedor de polvo y filtro

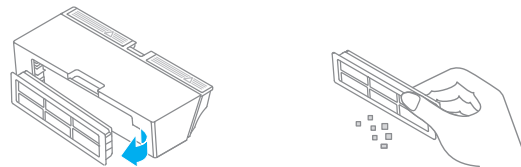
1. Abra la tapa del robot, apriete las pinzas del contenedor de polvo para retirarlo.



2. Abra la tapa del contenedor como indica la ilustración.

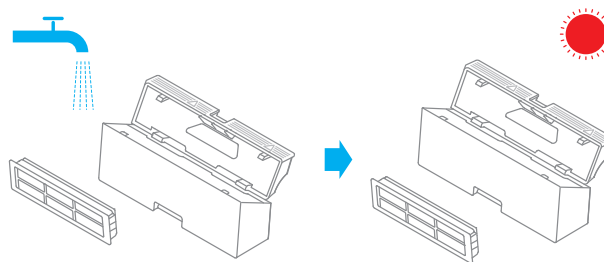


3. Retire el filtro, enjuáguelo repetidamente y golpee suavemente el marco del filtro para eliminar la mayor cantidad de suciedad posible.



**Nota:** No intente limpiar el filtro con un cepillo ni con los dedos.

4. Lave el contenedor de polvo y el filtro con agua y luego apártelos para que se sequen por completo antes de instalarlos.



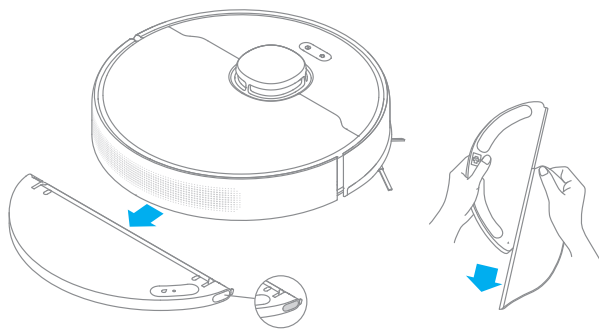
**Nota:**

- Solo debe utilizar agua limpia para limpiar el filtro. No utilice detergente.
- El filtro debe estar totalmente seco antes de utilizarlo.

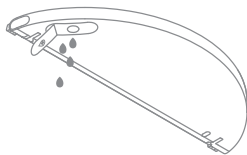
## Mantenimiento rutinario

### Limpiar el módulo de limpieza

1. Pulse las pinzas laterales del módulo de fregado y tire para extraer el módulo. Tire de la almohadilla de la mopa del módulo de fregado para extraerla.

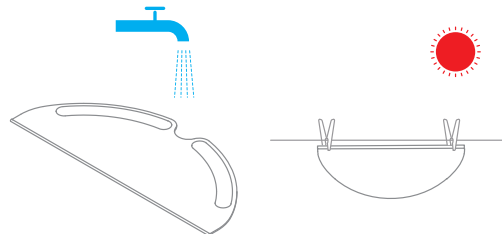


2. Vacíe el agua del depósito de agua. Limpie solo con agua y deje secar al aire antes de volver a instalarlo.



**Nota:** No exponga el tanque directamente al sol.

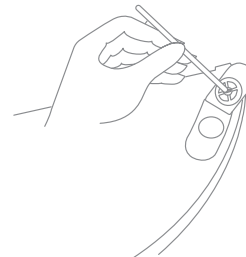
3. Limpie la mopa solo con agua y deje secar al aire antes de volver a instalarla.



**Nota:**

- Extraiga la mopa del módulo de fregado antes de limpiarla. Asegúrese de que el agua sucia no vuelva a entrar por la salida de agua para que no se obstruya.
- Para un rendimiento óptimo, recomendamos cambiar cada 3 o 6 meses.

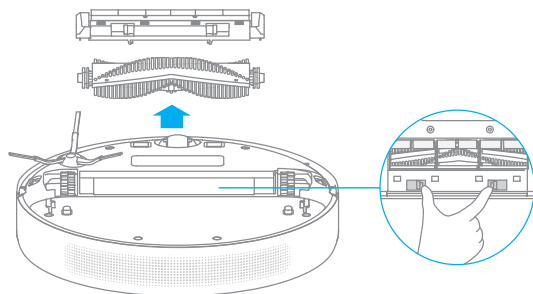
4. Si el flujo de agua es lento, o el volumen no está bien distribuido, limpie el orificio ventilador de la tapa del tanque de agua.



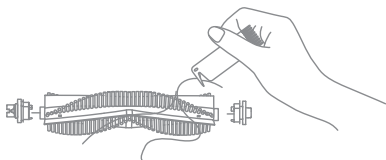
## Mantenimiento rutinario

### Limpiar el cepillo principal

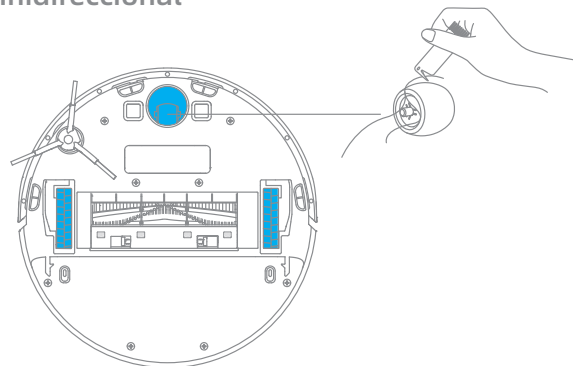
Presione la cubierta del cepillo hacia dentro para retirar la cubierta y elévelo para retirarlo del robot.



Extraiga las cubiertas de los cepillos como se indica en la ilustración. Use la herramienta de limpieza incluida para eliminar los pelos enredados en el cepillo.



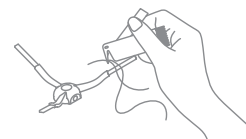
### Limpiar la rueda principal y ala rueda omnidireccional



**Nota:** Use herramientas como un destornillador pequeño, etc. para separar el eje y el neumático.

### Limpiar el cepillo lateral

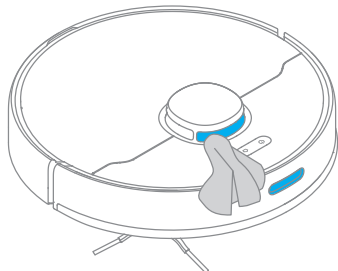
Retire los cepillos laterales y use la herramienta de limpieza incluida para quitar el cabello enredado en el cepillo.



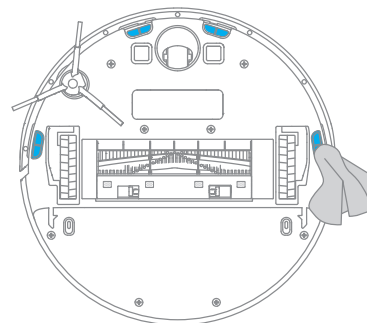
## Mantenimiento rutinario

**Nota:** Use un paño de cocina seco para realizar la limpieza, ya que el robot y la base de carga interna tienen elementos sensibles. No use un paño húmedo para evitar que el agua provoque daños.



### Limpiar el sensor láser LDS/Sensor de regreso al base de carga



### Limpiar el sensor de altura



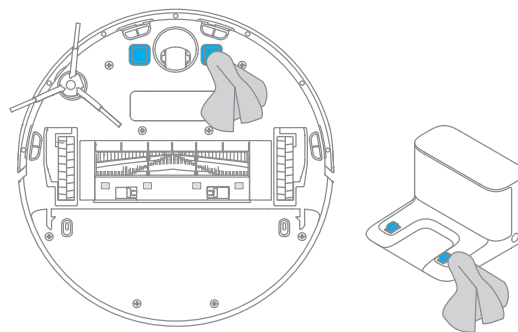
### Reinicio del robot

Si el robot deja de responder o no se puede apagar, mantenga pulsado el botón  durante 10 segundos para forzar el apagado. A continuación, mantenga pulsado el botón  durante 3 segundos para encenderlo de nuevo.

### Batería

El robot contiene una batería de iones de litio de alto rendimiento. Asegúrese de que permanezca bien cargada durante el uso diario para que mantenga un rendimiento óptimo. Si el robot no se utiliza durante un largo periodo de tiempo, apáguelo y guárdelo. Para evitar daños por descarga, debería recargar el robot una vez cada tres meses.

### Limpiar los contactos de carga





## Preguntas frecuentes

Tipo de problema	Solución
El robot no se enciende	El nivel de la batería es bajo. Recargue el robot en la base de carga y pruebe de nuevo. La temperatura ambiente es demasiado baja (por debajo de los 0 ° C) o demasiado alta (por encima de los 40 ° C). La temperatura de funcionamiento del robot es de 0 ° C a 40 ° C.
El robot no se recarga	La base de carga no está recibiendo energía. Confirme que ambos extremos del cable de alimentación están conectados correctamente. Fallo de contacto. Limpie el contacto de carga de la base de carga y el robot.
El robot no vuelve a la base de carga	Hay demasiados obstáculos alrededor de la base de carga. Coloque la base de carga en una zona más abierta y libre de obstáculos. Por favor, limpie el área de emisión de señal de la base de carga.
El robot no funciona adecuadamente	Apague el robot y vuelva a encenderlo.
El robot hace un ruido extraño	Un objeto extraño puede estar obstruyendo el cepillo principal, el cepillo lateral o alguna de las ruedas principales. Apague el robot y elimine la basura acumulada.
El robot no limpia de forma correcta o deja basura a su paso	El depósito de basura está lleno. Por favor, vacíelo. El filtro está bloqueado. Por favor, límpielo. Un objeto extraño está obstruyendo el cepillo principal. Por favor, límpielo.
El robot no se conecta al Wi-Fi	Hay algún problema con la conexión Wi-Fi. Reinicie el Wi-Fi, descargue la última versión de Mi Home/Xiaomi Home APP, e intente conectarlo de nuevo. El permiso de ubicación no está activado. Asegúrese de activar el permiso de ubicación en la aplicación Mi Home / Xiaomi Home. La señal Wi-Fi es débil. Asegúrese de que el robot se encuentra en una zona con una buena señal de Wi-Fi. No admite Wi-Fi de 5GHz. Asegúrese de conectar su robot a una red Wi-Fi de 2,4GHz. Nombre de usuario o contraseña del Wi-Fi incorrectos. Asegúrese de introducir el nombre de usuario y la contraseña correctos.

## Preguntas Frecuentes

Tipo de problema	Solución
El robot no realiza la limpieza programada	Al robot le queda poca batería. La limpieza programada no comenzará hasta que el robot se haya recargado.
Dejar el robot en la base de carga una vez que está completamente cargado consume energía?	Dejar el robot en la base de carga tras haber completado la carga de la batería consume muy poca electricidad y ayuda a mantener un funcionamiento óptimo de la batería.
No sale agua del módulo de fregado o solo sale un poco de agua	<p>Compruebe que el depósito de agua está lleno de agua y limpie la mopa si es necesario.</p> <p>Limpie la mopa si está sucia.</p> <p>Compruebe que la mopa está colocada correctamente, de acuerdo con el manual.</p> <p>Limpie el orificio del tanque de agua.</p>
El robot no reanuda la limpieza a pesar de que tiene batería suficiente	<p>Compruebe que el robot no se encuentre en modo No molestar.</p> <p>El robot no reanuda la limpieza cuando se recarga manualmente o coloca en la base de carga.</p>
El robot no vuelve a la base de carga después de moverlo	Mover el robot puede hacer que se reubique o vuelva a mapear sus alrededores. Si el robot está demasiado lejos de la base de carga, puede que no sea capaz de volver automáticamente por sí mismo, en cuyo caso es necesario colocarlo manualmente en el base de carga.

# Especificaciones

## Robot

Modelo	RLS5-BL1
Batería	5200 mAh(Potencia máxima de salida)
Tiempo de carga	Aproximadamente 6 horas
Conexión inalámbrica	Wi-Fi IEEE 802.11b/g/n 2,4 GHz
Tensión nominal	14,4 V $\text{---}$
Potencia nominal	40 W
Frecuencia de operación	2400-2483,5 MHz
Potencia máxima de salida	< 20 dBm

## Base de carga

Modelo	RCS0
Entrada nominal	100-240 V ~ 50/60 Hz 0,5 A
Salida nominal	19,8 V $\text{---}$ 1 A

En condiciones normales de uso, este equipo debe mantenerse a una distancia de, al menos, 20 cm entre la antena y el cuerpo del usuario.

## Información sobre RAEE



Todos los productos que llevan este símbolo son residuos de aparatos eléctricos y electrónicos (RAEE según la directiva 2012/19/UE) que no deben mezclarse con residuos domésticos sin clasificar. En su lugar, debe proteger la salud humana y el medio ambiente entregando sus equipos de desecho a un punto de recogida para el reciclaje de residuos de equipos eléctricos y electrónicos, designado por el gobierno o las autoridades locales. La eliminación y el reciclado correctos ayudarán a evitar posibles consecuencias negativas para el medio ambiente y la salud humana. Póngase en contacto con el instalador o con las autoridades locales para obtener más información sobre la ubicación y las condiciones de dichos puntos de recogida.

## Информация по технике безопасности

### Ограничения на эксплуатацию

Дети старше 8 лет и лица с ограниченными физическими, сенсорными или умственными способностями или недостаточным опытом и знаниями могут использовать данный прибор под присмотром взрослых или опекунов для обеспечения безопасной эксплуатации и избежания возможных опасностей. Очистка и техническое обслуживание не должно выполняться детьми без присмотра взрослых.

Детям не следует играть с этим устройством. Убедитесь, что дети и животные находятся на безопасном расстоянии от робота во время работы.

Это устройство предназначено только для очистки пола в домашних условиях. Не используйте его на открытом воздухе, на поверхностях без пола, а также в коммерческих или промышленных условиях.

Не используйте робот в областях, расположенных над полом, без защитного барьера.

Не используйте робот в средах с температурой окружающей среды выше 40 °C или ниже 0 °C, а также на полу с жидкостями или липкими веществами.

Уберите с пола провода перед использованием робота, чтобы он не тянул их во время уборки.

Уберите с пола хрупкие и мелкие предметы, чтобы робот не врезался в них и не повредил.

Не допускайте попадания волос, пальцев и других частей тела во всасывающее отверстие робота.

Храните инструмент для чистки щетки в недоступном для детей месте.

## Информация по технике безопасности

### Ограничения на эксплуатацию

Не размещайте на роботе детей, животных и какие-либо предметы, независимо от того остановлен он или движется.

Не используйте робот для уборки любых горящих веществ.

Не используйте робот для уборки твердых и острых предметов.

Перед очисткой и техническим обслуживанием убедитесь, что робот выключен и док-станция для зарядки отсоединена от источника питания.

Не очищайте части устройства с помощью влажной ткани или жидкостей.

Используйте это устройство согласно руководству пользователя.

Пользователи несут ответственность за убытки и ущерб, возникшие из-за несоблюдения инструкций.

## Информация по технике безопасности

### Аккумулятор и зарядка

Не используйте сторонний аккумулятор, зарядное устройство или док-станцию для зарядки. Используйте только с блоком питания RCS0.

Не разбирайте, не ремонтируйте и не модифицируйте аккумулятор или док-станцию для зарядки самостоятельно. Не размещайте док-станцию для зарядки рядом с источником тепла.

Не вытирайте и не очищайте зарядные контакты влажной тканью или влажными руками.

Не утилизируйте старые аккумуляторы ненадлежащим образом. Ненужные аккумуляторы следует сдавать в соответствующие пункты переработки.

Если шнур питания поврежден или сломан, немедленно прекратите его использование и обратитесь в службу послепродажного обслуживания.

Перед транспортировкой убедитесь, что робот выключен, и по возможности храните его в оригинальной упаковке.

Если робот не будет использоваться в течение длительного периода, полностью зарядите его, отключите и храните в сухом прохладном месте. Во избежание чрезмерной разрядки аккумулятора заряжайте робот не реже одного раза в 3 месяца.

Это устройство оснащено аккумуляторным блоком, который должны заменять только квалифицированные технические специалисты или специалисты отдела послепродажного обслуживания.

- Не транспортируйте робот-пылесос при температуре выше 50 ° C или ниже -20 ° C.

## Информация по технике безопасности

### Аккумулятор и зарядка

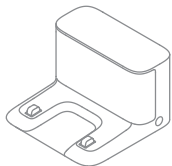
- В течение короткого периода, например одного месяца, пылесос рекомендуется хранить при температуре от  $-20$  до  $50$  °C и относительной влажности  $60\% \pm 5\%$ . В течение длительного времени храните пылесос при температуре окружающей среды от  $0$  °C до  $25$  °C.
- Утилизируйте пылесос надлежащим образом. Когда его срок службы подойдет к концу, утилизируйте пылесос в соответствии с местными законами и правилами страны или региона, в котором он используется. Дату производства см. на этикетке со штрих-кодом.

Настоящим компания Dreame Trading (Tianjin) Co., Ltd. заявляет, что тип радиооборудования RLS5-BL1 соответствует требованиям Директивы 2014/53/EU. Полный текст декларации о соответствии нормативным требованиям ЕС доступен по следующему адресу: [www.dreame-technology.com](http://www.dreame-technology.com)

Подробное электронное руководство см. по адресу <https://www.dreame-technology.com/pages/user-manuals-and-faqs>

# Описание изделия

## Аксессуары



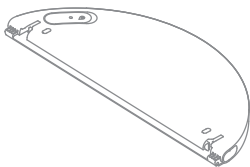
Зарядная док-станция



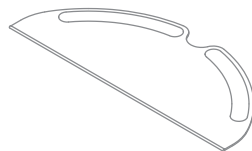
Чистящий инструмент



Шнур питания



Водяной бак



Швабра



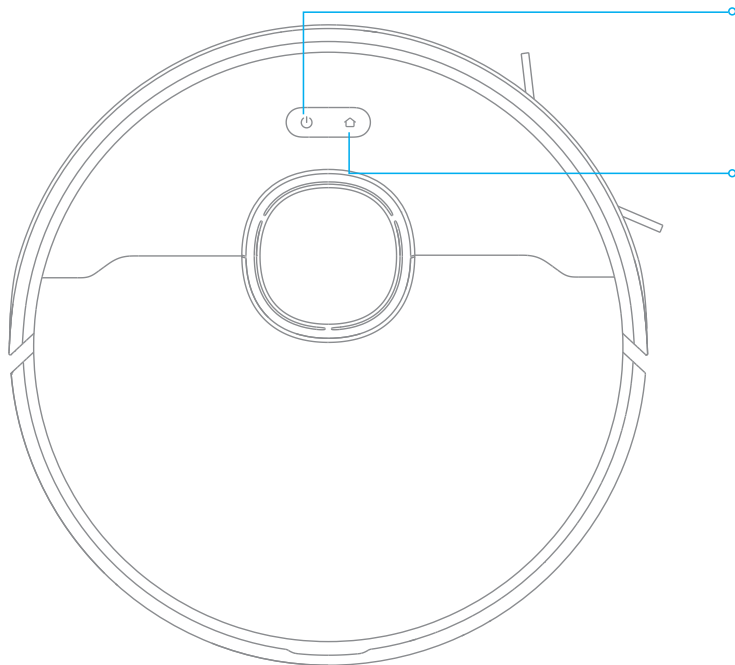
Боковая щетка

**Примечание.** Все иллюстрации в данном руководстве приведены исключительно для справки. По внешним параметрам изделия ориентируйтесь на его фактический вид.



# Описание изделия

## Робот



### Кнопка питания/уборки

- Чтобы включить/выключить питание, нажмите кнопку и удерживайте в течение 3 секунд
- После включения робота нажмите кнопку, чтобы начать уборку

### Кнопка док-станции/Кнопка локальной уборки

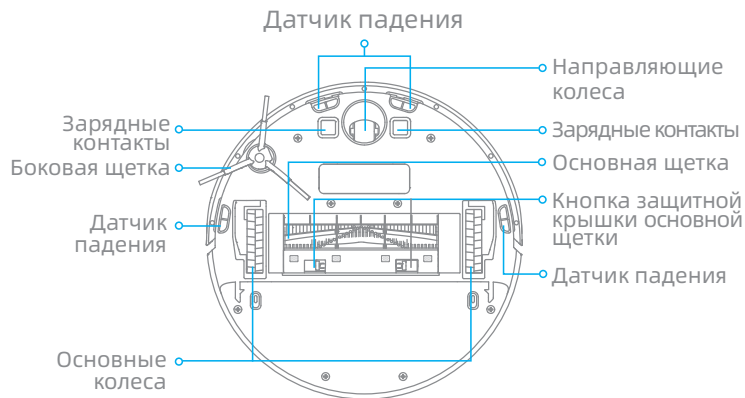
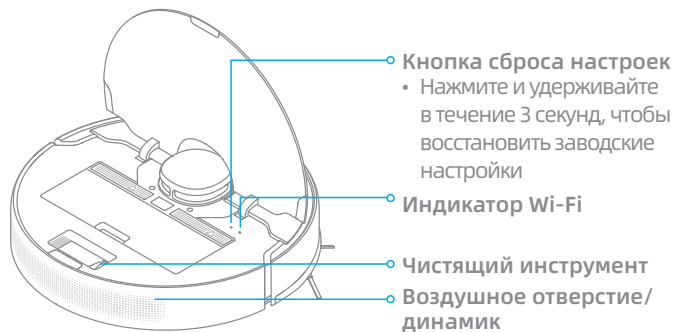
- Нажмите кнопку, чтобы вернуть робот на зарядную док-станцию
- Нажмите и удерживайте в течение 3 секунд, чтобы перейти в режим точечной уборки

### Индикатор состояния

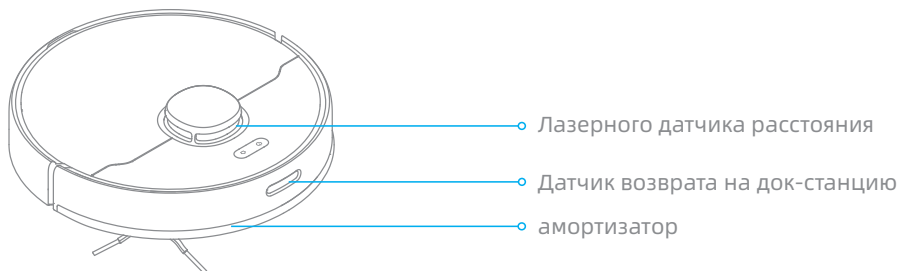
- Белый: Уборка/ Уборка завершена/ Зарядка завершена
- Мигание белым: Возврат на станцию для зарядки (нормальная батарея)
- Дыхание белым: Зарядка (нормальная батарея)
- Мигание оранжевым: Возврат на станцию для зарядки (низкий заряд батареи)/Ошибка
- Дыхание оранжевым: Зарядка (низкий заряд батареи)

## Описание изделия

### Робот

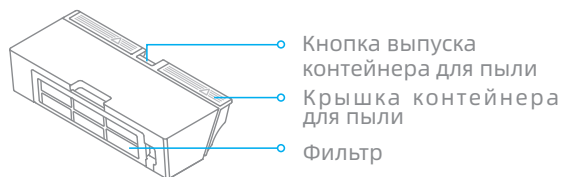


### Датчики робота

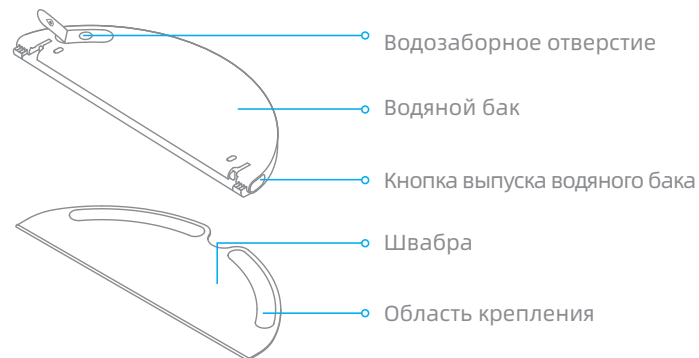


## Описание изделия

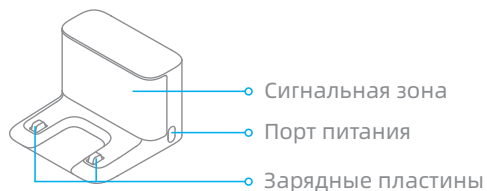
### Контейнер для пыли



### Модуль швабры

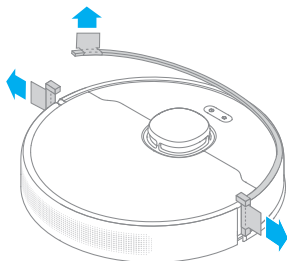


### Зарядная док-станция

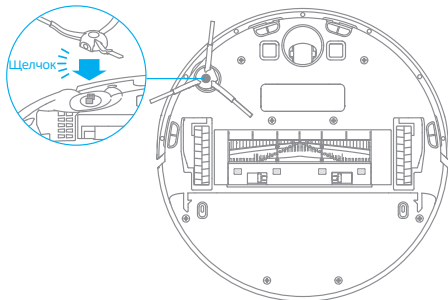


# Подготовка к уборке

## 1. Удалите защитную пленку

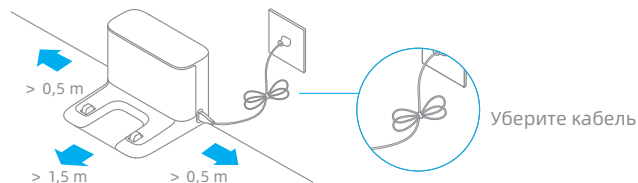


## 2. Установите боковую щетку



**Примечание.** Когда боковая щетка будет установлена на правильное место, раздастся щелчок.


## 3. Установите зарядную док-станцию на ровную поверхность у стены и подключите питание



### Примечание.

- Убедитесь, что на расстоянии 0,5 метра от боковых сторон и 1,5 метра спереди док-станции отсутствуют посторонние предметы.
- Убедитесь, что робот и зарядная док-станция находятся в зоне действия Wi-Fi, чтобы эффективно управлять роботом через мобильное приложение.
- Не размещайте зарядную док-станцию в местах, подверженных воздействию прямых солнечных лучей, или в зонах, отгороженных посторонними предметами, так как это может помешать роботу вернуться на зарядную док-станцию.

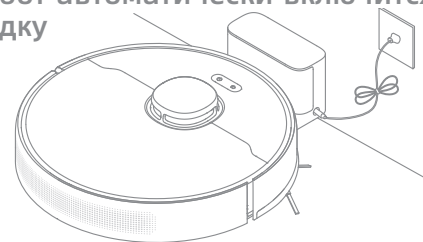
## 4. Установите робот на зарядную станцию для подзарядки. Робот автоматически включится и начнет подзарядку

 Индикатор уровня заряда аккумулятора

- Белый: уровень заряда аккумулятора выше 15 %.
- Оранжевый: уровень заряда аккумулятора ниже или равен 15 %.

### Примечание.

- Перед первым использованием полностью зарядите аккумулятор.
- Во время зарядки не рекомендуется устанавливать модуль для влажной уборки, чтобы влажная швабра не повредила поверхность пола.



# Подключение к приложению Mi Home/Xiaomi Home

Данное изделие поддерживается приложением Mi Home/Xiaomi Home\*. Управляйте своим устройством и взаимодействуйте с другими домашними устройствами в этом приложении.

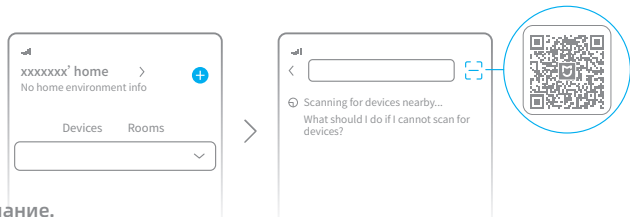
## 1. Загрузка приложения Mi Home/Xiaomi Home

Найдите и скачайте приложение Mi Home/Xiaomi Home через поисковый запрос в магазине мобильных приложений или отсканировав QR-код ниже.



## 2. Добавление устройства

Откройте приложение Mi Home/Xiaomi Home, нажмите "+" в верхнем правом углу и войдите на страницу добавления устройства. Затем нажмите "QR" в верхнем правом углу и отсканируйте QR-код, чтобы добавить устройство "Dreame Bot D9 Max". Следуйте подсказкам для завершения подключения.

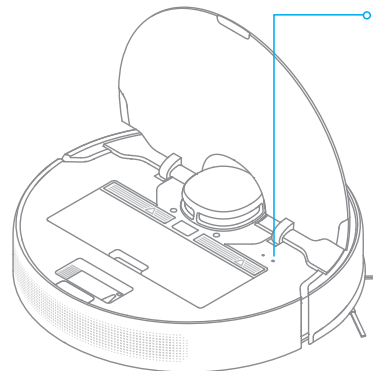


### Примечание.

- Функция беспроводной сети поддерживает только Wi-Fi с частотой 2,4ГГц.
- Версия приложения Mi Home/Xiaomi Home могла обновиться, поэтому фактический процесс настройки может отличаться от описанного выше. Следуйте инструкциям для текущей версии приложения Mi Home/Xiaomi Home.

## 3. Сброс Wi-Fi

Откройте верхнюю крышку, чтобы появился индикатор Wi-Fi. Одновременно с этим нажмите и удерживайте кнопки "🔌" и "🏠", пока не услышите голосовую подсказку "Ожидание настройки сети". Как только индикатор Wi-Fi начнет медленно мигать, робот перейдет в режим подключения к сети.





Индикатор Wi-Fi

- Мигание (медленное): ожидает подключения.
- Мигание (быстрое): выполняется подключение.
- Световой индикатор (постоянный): Wi-Fi подключен.


**Примечание.** Если ваш телефон не может подключиться к роботу, сбросьте настройки Wi-Fi и добавьте устройство повторно.

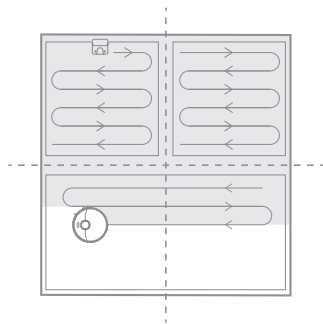
# Руководство по эксплуатации

## 1. Включение/выключение

Нажмите и удерживайте кнопку  в течение 3 секунд, чтобы загорелся индикатор питания (постоянный) и робот перешел в режим ожидания. Чтобы выключить робот, нажмите и удерживайте кнопку  в течение 3 секунд, когда робот окажется в неподвижном положении.

## 2. Начало уборки

Нажмите кнопку , чтобы включить робот. После включения робот начнет планирование маршрута уборки по отсканированной карте. Затем робот методично уберет каждую зону по S-образному маршруту, предварительно очистив зону вдоль стены, для повышения эффективности уборки.



**Примечание.** Если уровень заряда батареи слишком низкий, робот автоматически вернется на зарядную док-станцию. После подзарядки до необходимой мощности робот вернется на последний участок и продолжит незавершенную задачу уборки. (Необходимо заранее открыть функцию возобновления уборки в приложении).

## 3. Режим уборк

В приложении Mi Home/Xiaomi Home доступны четыре режима уборки: тихий, стандартный, интенсивный и турборежим. Стандартный режим установлен по умолчанию.

## 4. Режим паузы/сна

Пауза: нажмите любую кнопку, чтобы приостановить робот во время уборки.

Режим сна: если в течение 10 минут робот не получит задачу, он автоматически перейдет в режим сна, а индикаторы питания и зарядки погаснут. Нажмите любую кнопку, чтобы активировать робот.

**Примечание.**

- Если робот не находится на подзарядке, он автоматически выключится через 2 часа в режиме сна.
- В случае остановки робота поместите его на зарядную док-станцию для завершения текущей задачи уборки.

## 5. Режим "Не беспокоить"


В режиме "Не беспокоить" робот не сможет автоматически продолжить задачу уборки. Индикатор питания остается выключенным. С помощью приложения вы можете включить режим "Не беспокоить" или изменить его временной диапазон.

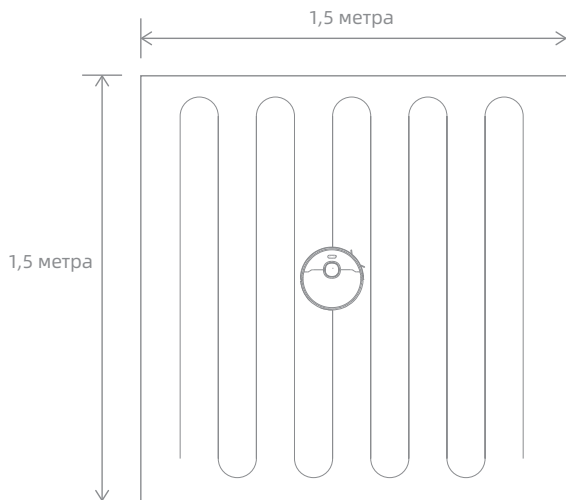
**Примечание.**

- Если установлен режим "Запланированная уборка", робот выполнит уборку даже в режиме "Не беспокоить".
- Если осталась незавершенная задача, робот продолжит ее выполнение после истечения времени действия режима "Не беспокоить".

# Руководство по эксплуатации

## 6. Режим локальной уборки

Если робот находится в режиме ожидания или приостановлен, нажмите и удерживайте кнопку  в течение 3 секунд, чтобы перейти в режим локальной уборки. В этом режиме робот будет убирать зону в радиусе 1,5 × 1,5 метра вокруг себя. После завершения локальной уборки робот автоматически вернется в изначальное положение и отключится.



**Примечание.** После активации режима локальной уборки текущая задача уборки будет завершена.

## 7. Режим "Запланированная уборка"

В приложении Mi Home/Xiaomi Home доступна настройка режима "Запланированная уборка". Робот автоматически начнет уборку в назначенное время и вернется на зарядную док-станцию после завершения уборки.

## 8. Больше функций приложения

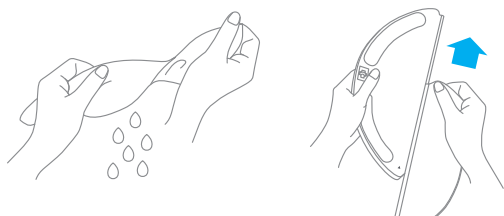
Следуйте инструкциям в интерфейсе приложения, чтобы использовать больше функций. Версия приложения могла быть обновлена или частично изменена. Следуйте инструкциям для текущей версии приложения.

# Руководство по эксплуатации

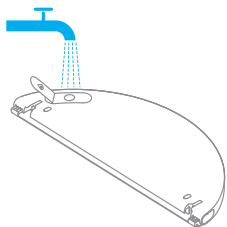
## 9. Функция уборки шваброй

Для достижения лучшего результата уборки рекомендуется начать использовать режим швабры после 3 применений робота..


1) Намочите губку швабры и отожмите излишки воды. Вставьте губку доупора в паз водяного бака, пока она не будет надежно закреплена.

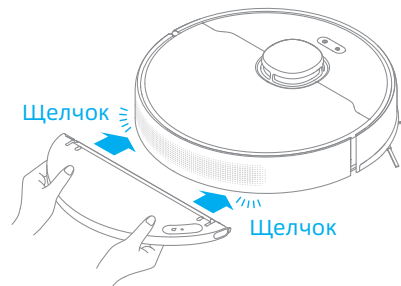


2) Откройте крышку водяного бака, наполните бак чистой водой и плотно закройте крышку.



**Примечание.** Не используйте чистящие и дезинфицирующие средства.

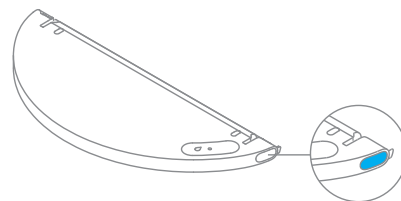
3) Вставьте водяной бак ровно в задней части робота, пока не услышите щелчок. Начните уборку нажатием кнопки  или через приложение Mi Home/Xiaomi Home.



**Примечание.**

- Не рекомендуется использовать функцию уборки шваброй на коврах.
- По мере необходимости регулируйте подачу воды к швабре с помощью мобильного приложения.

4) Надавите на два боковых зажима внутрь и толкните водяной бак назад, чтобы извлечь его.



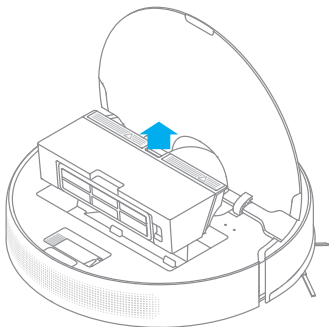
**Примечание.** Снимите модуль швабры, если робот находится на подзарядке или не используется, вылейте оставшуюся в баке воду и очистите губку швабры, чтобы предотвратить появление плесени и неприятного запаха.



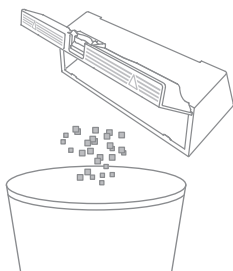
## Регулярный уход

### Очистка контейнера для пыли и фльтра

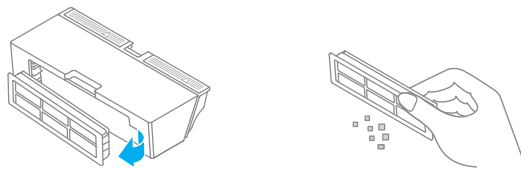
1. Откройте верхнюю крышку робота-пылесоса и надавите на зажимы контейнера для пыли, чтобы извлечь его.



2. Откройте крышку контейнера для пыли так, как показано на стрелке, и освободите содержимое контейнера.

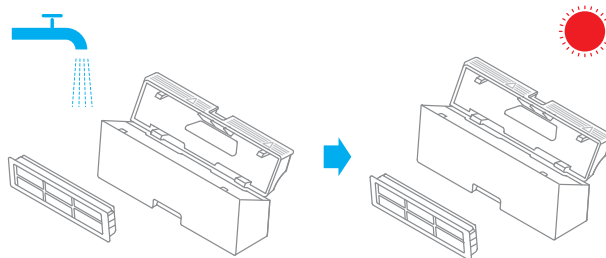


3. Снимите фильтр, постучите по корпусу фильтра, чтобы удалить как можно больше грязи.



**Примечание.** Не пытайтесь очистить фильтр щеткой или пальцами.

4. Промойте контейнер для пыли и фильтр водой, а затем установите их на положенное место, предварительно просушив.



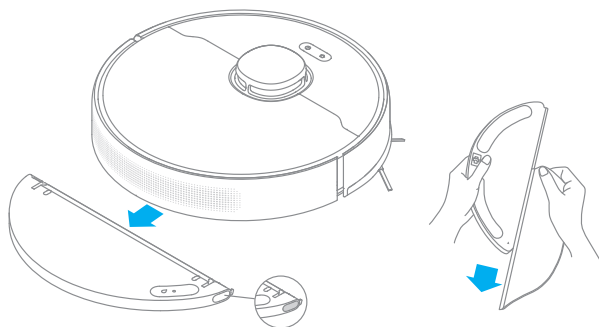
**Примечание.**

- Для очистки фильтра следует использовать только чистую воду. Не применяйте моющие средства.
- Используйте фильтр только после полной просушки.

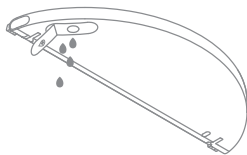
## Регулярный уход

### Очистка модуля швабры

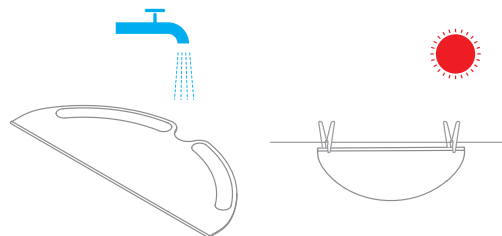
1. Нажмите на зажимы в боковой части водяного бака, снимите модуль швабры и извлеките губку.



2. Слейте оставшуюся воду из водяного бака. Промойте бак водой и протрите насухо или оставьте высыхать естественным путем.



3. Промойте водой и высушите губку швабры.



#### Примечание.

- После окончания использования извлеките губку из модуля швабры, чтобы грязная вода не вылилась обратно в бак и не засорила отверстие для воды.
- Для оптимальной работы робота рекомендуется менять губку швабры каждые 3–6 мес.

4. Если поток воды слабый или вода распределяется неравномерно, очистите воздушное отверстие в верхней части крышки водяного бака.

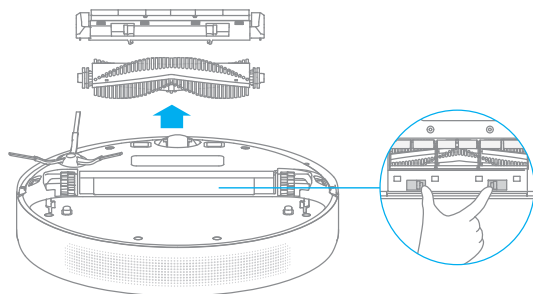


**Примечание.** Не подвергайте бак воздействию прямых солнечных лучей.

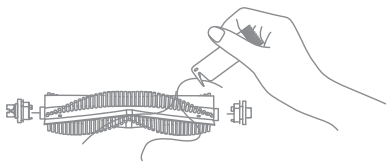
## Регулярный уход

### Очистка основной щетки

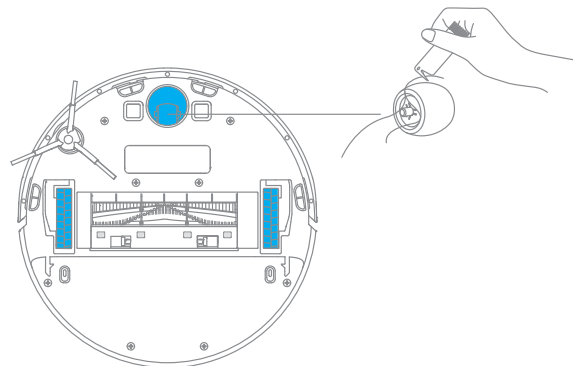
Надавите на зажимы с обеих сторон основной щетки внутрь, чтобы снять защиту, и извлеките щетку по направлению вверх.



Снимите крышки с обеих сторон основной щетки, как показано на рисунке. Удалите спутанные волосы с щетки и подшипников с помощью чистящего инструмента.



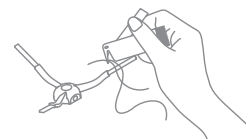
### Очистка основного колеса/направляющих колес



**Примечание.** Поверните оси колес с помощью мелких инструментов.

### Очистка боковых щеток

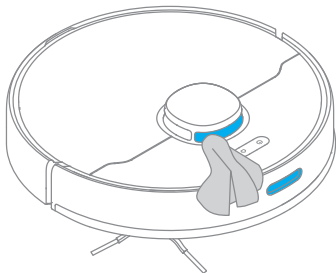
Снимите боковые щетки. Очистите щетки с помощью чистящего инструмента



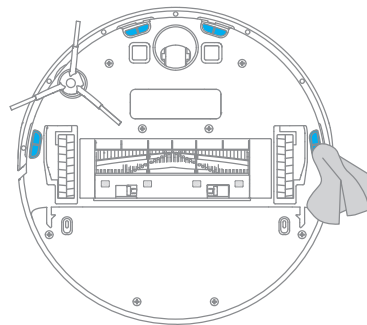
## Регулярный уход

**Примечание.** Для очистки внутренней поверхности робота или зарядной док-станции с чувствительными электроэлементами используйте сухое полотенце. Не используйте влажное полотенце, чтобы избежать повреждений из-за воды.



### Очистите лазерный датчик LDS/Датчик возврата на док-станцию



### Очистите датчик падения



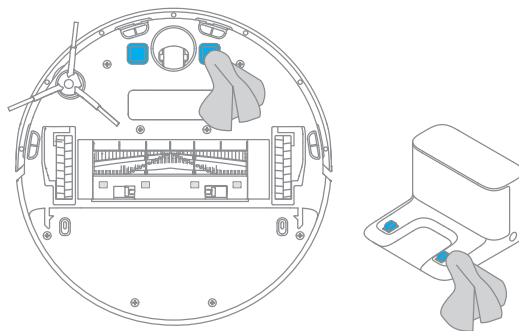
### Перезапуск робота

Если робот перестал реагировать и не выключается, выключите его принудительно, нажав и удерживая кнопку  в течение 10 секунд. Затем нажмите и удерживайте кнопку  в течение 3 секунд, чтобы включить робот повторно.

### Аккумулятор

В робот встроен высокоэффективный литий-ионный аккумуляторный блок. При ежедневном использовании заряжайте аккумулятор полностью, чтобы поддерживать технические характеристики аккумулятора. Если робот не используется в течение долгого времени, отключите его и уберите на хранение. Во избежание повреждений из-за чрезмерной разрядки робот необходимо подзаряжать не реже, чем один раз в три месяца.

### Очистка зарядных контактов



Тип проблемы	Решение
Робот не включается	Низкий уровень заряда аккумулятора. Зарядите робот на зарядной док-станции, а затем повторите попытку. Температура окружающей среды слишком низкая (ниже 0° C) или слишком высокая (выше 40° C). Диапазон рабочей температуры робота: от 0° C до 40° C.
Робот не заряжается	Зарядная док-станция не подключена к источнику питания. Убедитесь, что оба конца шнура питания подключены правильно. Слабый контакт. Очистите зарядные пластины док-станции и зарядные контакты робота.
Робот не возвращается на зарядную док-станцию	Вокруг зарядной док-станции слишком много препятствий. Разместите док-станцию на открытом участке. Очистите сигнальную зону док-станции.
Сбой в работе робота	Выключите и перезапустите робот.
Посторонние звуки во время уборки	В основной и боковой щетках или в одном из основных колес мог застрять посторонний предмет. Остановите робот и удалите весь мусор.
Робот стал хуже убирать или оставляет после себя грязь	Контейнер для пыли заполнен. Очистите его. Фильтр забит. Очистите его. В основную щетку попал посторонний предмет. Уберите его.
Робот не подключается к Wi-Fi	Сбой подключения к беспроводной сети Wi-Fi. Сбросьте настройки Wi-Fi, загрузите последнюю версию приложения Mi Home/Xiaomi Home, а затем попробуйте подключиться повторно. Функция определения местоположения не открывается. Убедитесь, что в приложении Mi Home/Xiaomi Home включена функция определения местоположения. Слабый сигнал Wi-Fi. Переместите робот в зону с устойчивым сигналом Wi-Fi. Робот не поддерживает Wi-Fi с частотой 5 ГГц. Убедитесь, что ваш робот подключен к Wi-Fi 2,4 ГГц. Неверное имя пользователя или пароль домашнего Wi-Fi. Убедитесь, что имя пользователя и пароль введены правильно.

## Вопросы и ответы

Тип проблемы	Решение
Не работает режим "Запланированная уборка"	Низкий уровень заряда аккумулятора. Своевременно подзарядите робот, чтобы включить режим "Запланированная уборка".
Если робот постоянно находится на док-станции, сколько электроэнергии он потребляет?	На док-станции робот потребляет очень мало электроэнергии, а постоянная подзарядка позволяет поддерживать технические характеристики аккумулятора.
Модуль швабры не подает воду или подает незначительный объем воды	Убедитесь, что в водяном баке есть вода. Очистите губку швабры, если она загрязнилась. Убедитесь, что губка швабры установлена правильно в соответствии с руководством по эксплуатации. Своевременно очищайте воздушное отверстие в верхней части крышки водяного бака.
Робот не продолжает уборку после зарядки	Убедитесь, что робот не перешел в режим "Не беспокоить", в котором он не может возобновить уборку. Робот не может продолжить уборку, если его зарядили или вернули на зарядную док-станцию вручную.
Робот не возвращается на зарядную док-станцию после изменения местоположения	После изменения местоположения робот будет заново определять свое положение. После сбоя определения местоположения робот начнет повторно генерировать карту. Если зарядная док-станция расположена слишком далеко, робот не сможет вернуться. Необходимо поместить робот на зарядную док-станцию вручную.

# Основные параметры

## Робот

Модель	RLS5-BL1
Аккумулятор	5200 мА/ч(Номинальная мощность аккумулятора)
Время зарядки	Около 6 ч
Беспроводное подключение	Wi-Fi IEEE 802.11b/g/n 2,4 ГГц
Номинальное напряжение	14,4 В ---
Номинальная мощность	40 Вт
Рабочая частота	2400-2483,5 МГц
Макс. выходная мощность	< 20 дБм

## Зарядная док-станция

Модель	RCS0
Номинальная входная мощность	100-240 В ~ 50/60 Гц 0,5 А
Номинальная выходная мощность	19,8 В --- 1 А

## Информация об утилизации и переработке отходов электрического и электронного оборудования



Все изделия, обозначенные символом раздельного сбора отработанного электрического и электронного оборудования (WEEE, директива 2012/19/EU), следует утилизировать отдельно от несортируемых бытовых отходов. С целью охраны здоровья и защиты окружающей среды такое оборудование необходимо сдавать на переработку в специальные пункты приема электрического и электронного оборудования, определенные правительством или местными органами власти. Правильная утилизация и переработка помогут предотвратить возможные негативные последствия для окружающей среды и здоровья человека. Чтобы узнать, где находятся такие пункты сбора и как они работают, обратитесь в компанию, занимающуюся установкой оборудования, или в местные органы власти.

## Informacje dotyczące bezpieczeństwa

### Ograniczenia w użytkowaniu

Ten produkt może być używany przez dzieci w wieku powyżej 8 lat oraz osoby o ograniczonych zdolnościach ruchowych, sensorycznych lub umysłowych, a także przez osoby o ograniczonym doświadczeniu lub znajomości sprzętu, wyłącznie pod nadzorem rodzica lub opiekuna w celu zapewnienia bezpiecznego użytkowania i uniknięcia zagrożeń. Czyszczenie i konserwacja nie powinny być przeprowadzane przez dzieci bez nadzoru.

Dzieci nie mogą bawić się tym produktem. Należy upewnić się, że dzieci i zwierzęta domowe przebywają w bezpiecznej odległości od odkurzacza z mopem podczas jego pracy.

Ten produkt jest przeznaczony wyłącznie do czyszczenia podłóg w środowisku domowym. Nie należy używać go na zewnątrz, na powierzchniach innych niż podłogi oraz w pomieszczeniach komercyjnych lub przemysłowych.

Robot nie należy używać na obszarze zawieszonym nad ziemią bez uprzedniego zastosowania bariery ochronnej.

Nie należy używać robota w temperaturze powyżej 40°C lub poniżej 0°C, a także na podłogach z płynami lub lepкими substancjami.

Przed użyciem robota należy podnieść z podłogi wszelkie przewody, aby zapobiec ich przemieszczaniu podczas czyszczenia.

Należy usunąć z podłogi wszelkie delikatne lub małe przedmioty, aby zapobiec ich uszkodzeniu w przypadku zderzenia.

Należy trzymać włosy, palce i inne części ciała z dala od otworu ssącego robotów.

Trzymać przyrząd do czyszczenia szczotki poza zasięgiem dzieci.



## Informacje dotyczące bezpieczeństwa

### Ograniczenia w użytkowaniu

Nie wolno umieszczać dzieci, zwierząt domowych ani żadnych przedmiotów na robocie, niezależnie od tego, czy jest on nieruchomy, czy się porusza.

Nie używać robota do czyszczenia jakichkolwiek palnych substancji.

Nie odkurzaj twardych ani ostrych przedmiotów.

Przed czyszczeniem lub konserwacją należy upewnić się, że robot jest wyłączony, a stacja ładująca jest odłączona od zasilania.

Nie wycierać żadnych części produktu mokrą ściereczką ani płynami.

Produktu należy używać zgodnie z instrukcjami zawartymi w instrukcji obsługi. Użytkownicy ponoszą odpowiedzialność za wszelkie straty lub szkody wynikające z niewłaściwego użytkowania tego produktu.

## Informacje dotyczące bezpieczeństwa

### Akumulator i ładowanie

Nie używać zamienników akumulatora, ładowarki ani stacji ładującej. Do stosowania wyłącznie z zasilaczem RCS0.

Nie należy podejmować samodzielnych prób rozbierania, naprawy lub modyfikowania akumulatora lub stacji ładującej.

Nie stawiać stacji ładującej w pobliżu źródła ciepła.

Nie używać mokrej szmatki ani ściereczki z płynem do wycierania styków ładowania stacji ładującej.

Utylizować stare akumulatory we właściwy sposób. Zbędne akumulatory należy przykazywać do odpowiednich zakładów zajmujących się recyklingiem.

Jeśli przewód zasilający zostanie uszkodzony lub zepsuty, należy natychmiast zaprzestać jego używania i skontaktować się z działem obsługi posprzedażnej.

Na czas transportu należy upewnić się, że robot jest wyłączony oraz, w miarę możliwości, znajduje się w oryginalnym opakowaniu.

Jeżeli robot nie będzie używany przez dłuższy czas, należy naładować go do pełna, a następnie wyłączyć i przechowywać w chłodnym i suchym miejscu. Ładować robota co najmniej raz na 3 miesiące, aby uniknąć nadmiernego rozładowania akumulatora.

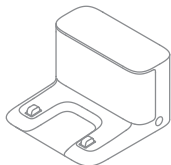
Wewnątrz tego produktu znajdują się akumulatory, które mogą być wymieniane wyłącznie przez wykwalifikowanych techników lub serwis posprzedażny.

Niniejszym firma Dreame Trading (Tianjin) Co., Ltd. oświadczam, że urządzenie radiowe typu RLS5-BL1 jest zgodne z dyrektywą 2014/53/UE. Pełny tekst deklaracji zgodności z UE jest dostępny na naszej stronie internetowej: [www.dreame-technology.com](http://www.dreame-technology.com)

Szczegółowe elektroniczne instrukcje obsługi można znaleźć na stronie <https://www.dreame-technology.com/pages/user-manuals-and-faqs>

# Przegląd produktu

## Akcesoria



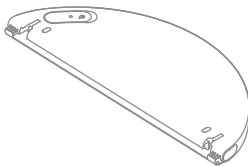
Stacja ładująca



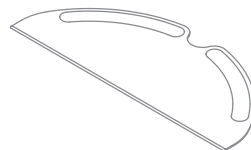
Przyrząd do czyszczenia



Kabel zasilania



Zbiornik na wodę



Wkład myjący

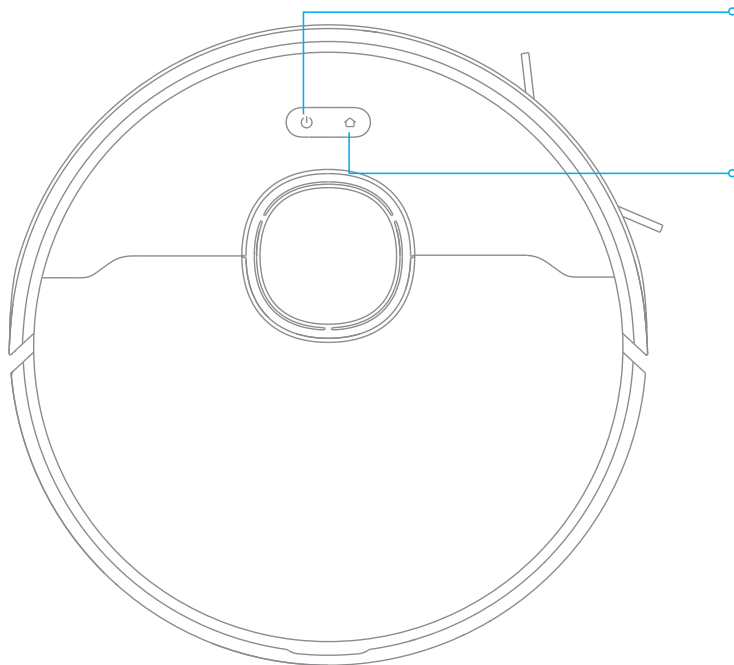


Szczotka boczna

**Uwaga:** Ilustracje w niniejszej instrukcji mają charakter wyłącznie informacyjny. Prosimy zapoznać się z aktualnym wyglądem produktu.

# Przegląd produktu

## Robot



### Przycisk zasilania/czyszczenia

- Naciśnij i przytrzymaj przez 3 sekundy
- Po włączeniu robota, naciśnij, aby rozpocząć czyszczenie

### Przycisk dokowania/Przycisk czyszczenia punktowego

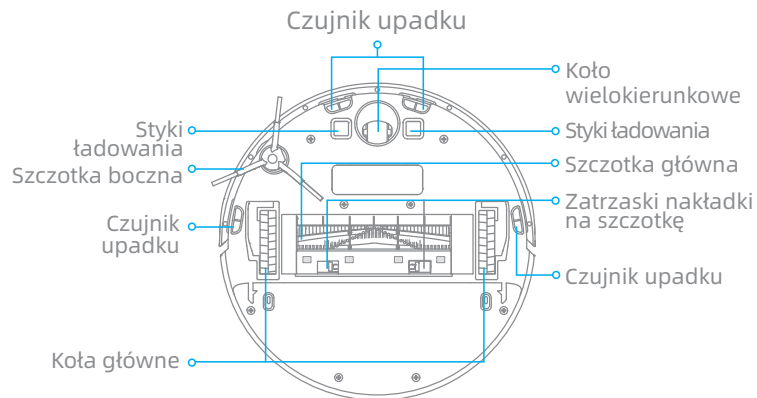
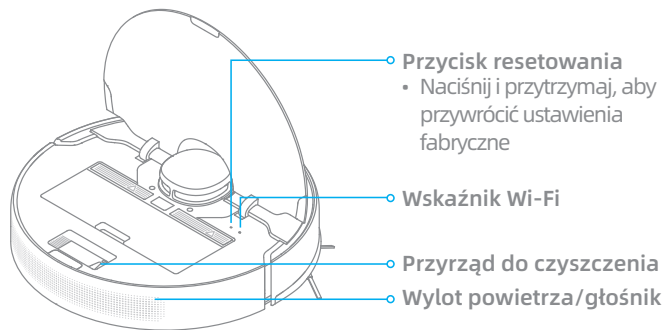
- Naciśnij, aby odebrać robota do stacji ładującej
- Należy nacisnąć i przytrzymać przez 3 sekundy, aby rozpocząć tryb Czyszczenia Punktowego

### Wskaźnik stanu

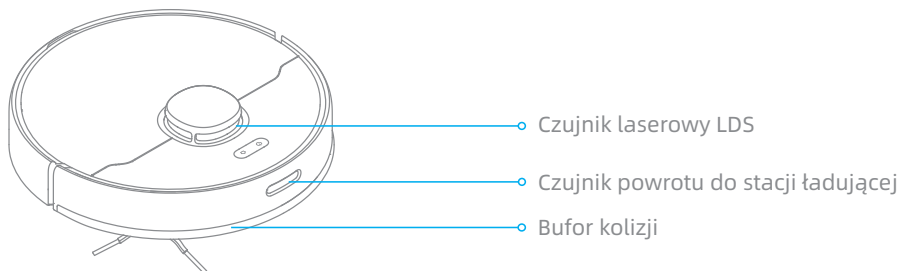
- Światło białe: W trakcie czyszczenia/ Czyszczenie ukończone/ Ładowanie ukończone
- Migające światło białe: Powrót do stacji ładującej w celu naładowania, gdy poziom baterii nie jest niski
- Falujące światło białe: Odkurzacz jest w trakcie ładowania, gdy poziom baterii nie jest niski
- Migające światło pomarańczowe: Powrót do stacji ładującej w celu naładowania, gdy poziom baterii jest niski/ Błąd
- Falujące światło pomarańczowe: Odkurzacz jest w trakcie ładowania, gdy poziom baterii jest niski

# Przegląd produktu

## Robot

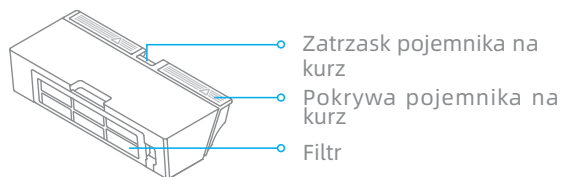


## Czujniki robota

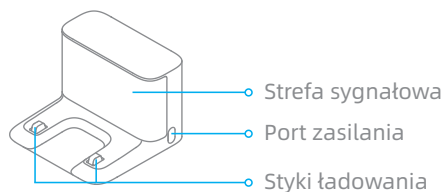


## Przegląd produktu

### Pojemnik na kurz



### Stacja ładująca

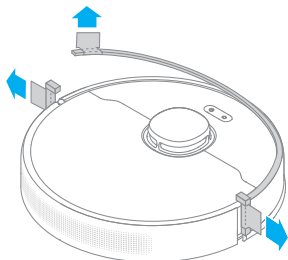


### Moduł mopujący

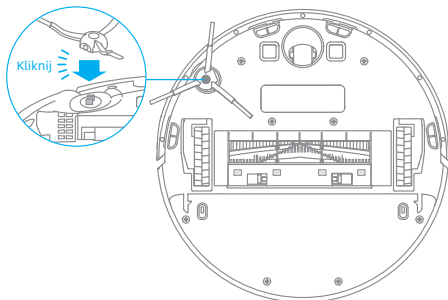


# Przygotowanie przed użyciem

## 1. Należy zdjąć materię ochronną

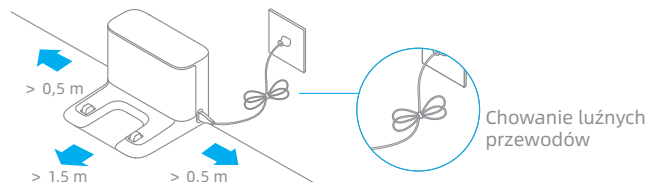


## 2. Zamontuj szczotkę boczną



**Uwaga:** Zamontuj szczotkę boczną, aż usłyszysz kliknięcie.

## 3. Stację ładującą należy umieścić na równym podłożu przy ścianie i podłączyć do gniazdka



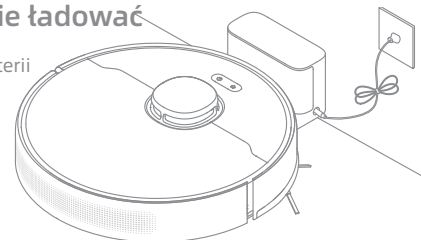
### Uwaga:

- Należy zachować co najmniej 0,5 metra wolnej przestrzeni po obu stronach stacji ładującej oraz co najmniej 1,5 metra wolnej przestrzeni przed nią.
- W celu zapewnienia prawidłowej łączności telefonu z robotem należy zadbać o to, aby zarówno odkurzacz, robot i stacja ładująca były w zasięgu sieci Wi-Fi.
- Nie umieszczać stacji ładującej w miejscu bezpośrednio narażonym na działanie promieni słonecznych lub takim, w którym inne przedmioty mogłyby blokować jej strefę sygnałową. Może to uniemożliwić powrót robota do stacji ładującej w celu naładowania.

## 4. Umieść robota w doku ładowania. Robot zacznie się automatycznie ładować

### 🔌 Wskaźnik poziomu baterii

- Biały: poziom naładowania jest większy niż 15%
- Pomarańczowy: poziom naładowania jest mniejszy niż 15%



### Uwaga:

- Naładować baterię do pełna przed pierwszym użyciem.
- Nie montuj modułu mopującego podczas ładowania. Zachowaj szczególną ostrożność z mokrym mopem, ponieważ może on uszkodzić podłogę.

# Połącz z aplikacją Mi Home/Xiaomi Home

Ten produkt współpracuje z aplikacją Mi Home/Xiaomi Home\*. Aplikacja Mi Home/Xiaomi Home umożliwia sterowanie urządzeniem i wchodzenie z nim w interakcje przy użyciu innych inteligentnych urządzeń domowych.

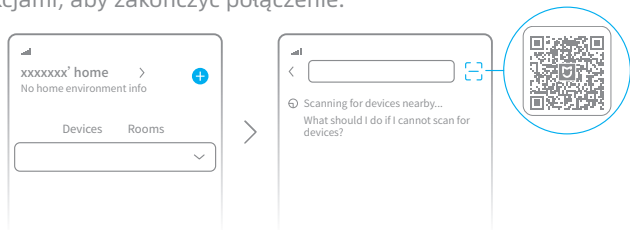
## 1. Pobierz aplikację Mi Home/Xiaomi Home App

Zeskanuj kod QR, aby pobrać i zainstalować aplikację. Aby pobrać i zainstalować aplikację, możesz też wyszukać nazwę „Mi Home/Xiaomi Home” w sklepie z aplikacjami.



## 2. Dodaj urządzenie



Otwórz aplikację Mi Home/Xiaomi Home, naciśnij przycisk "+" w górnym prawym rogu ekranu, aby przejść do interfejsu dodawania urządzenia. Ponownie kliknij w prawym górnym rogu "🔗", zeskanuj kod QR, dodaj "Dreame Bot D9 Max" i postępuj zgodnie z instrukcjami, aby zakończyć połączenie.

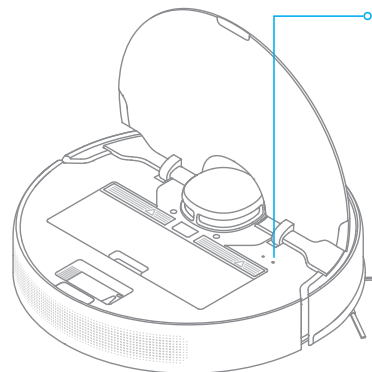


### Uwaga:

- Obsługiwane jest tylko Wi-Fi 2,4 GHz.
- Wersja aplikacji mogła zostać uaktualniona. Wykonuj instrukcje zgodnie z bieżącą wersją aplikacji.

## 3. Resetowanie połączenia Wi-Fi

Otwórz górną pokrywę odkurzacza, aby zobaczyć wskaźnik Wi-Fi. Następnie naciśnij jednocześnie przyciski  i  i przytrzymaj je do momentu usłyszenia komunikatu głosowego o oczekiwaniu na konfigurację sieci. Gdy wskaźnik Wi-Fi zacznie powoli migać, będzie to oznaczało, że połączenie zostało pomyślnie zresetowane.



### Wskaźnik Wi-Fi



- Powolne miganie: oczekiwanie na połączenie
- Szybkie miganie: czyszczenie
- W czony: po czyszczeniu z Wi-Fi

**Uwaga:** Gdy telefon nie zdoła się połączyć z odkurzaczem, zresetuj sieć Wi-Fi i dodaj urządzenie ponownie.




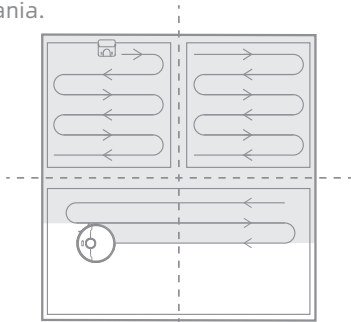
# Użytkowanie

## 1. Włączanie/wyłączanie

Naciśnij i przytrzymaj przycisk  przez 3 sekundy, aby włączyć odkurzacz. Gdy wskaźnik zasilania zacznie świecić ciągłym białym światłem, będzie to oznaczać, robot jest w trybie czuwania. Aby go wyłączyć, należy wcisnąć i przytrzymać przycisk  przez 3 sekundy, gdy urządzenie nie będzie się poruszać. Wyłączenie robota spowoduje zakończenie bieżącego zadania czyszczenia.

## 2. Czyszczenie

Naciśnij krótko przycisk , aby włączyć odkurzacz. Po włączeniu, odkurzacz dokładnie wyznaczy trasy zgodnie z mapą wygenerowaną przez skanowanie, metodycznie oczyści każde pomieszczenie zaczynając od ścian i krawędzi, a następnie dokończy czyszczenie po łuku, aby zapewnić dokładne wykonanie zadania.



**Uwaga:** Jeśli poziom baterii jest zbyt niski, odkurzacz automatycznie powróci do stacji dokującej w celu naładowania. Po naładowaniu do odpowiedniej mocy, robot wznowi niedokończone zadania czyszczenia. (Funkcja wznowienia trybu czyszczenia musi być wcześniej włączona w aplikacji).

## 3. Tryb czyszczenia

W aplikacji Mi Home/Xiaomi Home dostępne są cztery tryby czyszczenia: cichy, standardowy, silny i turbo. Domyślnym trybem jest tryb standardowy.

## 4. Wstrzymywanie/Tryb uśpienia

**Wstrzymywanie:** Wciśnij dowolny przycisk, aby wstrzymać pracę robota podczas czyszczenia.

**Tryb uśpienia:** Robot automatycznie wejdzie w tryb uśpienia po 10 minutach bezczynności, po czym wskaźniki zasilania i ładowania zgasną. Aby go wybudzić, należy wcisnąć dowolny przycisk.

### Uwaga:

- Odkurzacz wyłączy się automatycznie po 2 godzinach w trybie czuwania.
- Wstrzymanie pracy odkurzacza i umieszczenie go w stacji ładującej spowoduje zakończenie bieżącego sprzątnia.

## 5. Tryb „Nie przeszkadzać”


Tryb „Nie przeszkadzać” zapobiega automatycznemu rozpoczynaniu sprzątnia, a wskaźnik zasilania robota pozostaje wyłączony. Tryb „Nie przeszkadzać” można włączać/wyłączać lub modyfikować godziny jego obowiązywania za pomocą aplikacji. (Tryb jest domyślnie czynny od 22:00 do 08:00.)

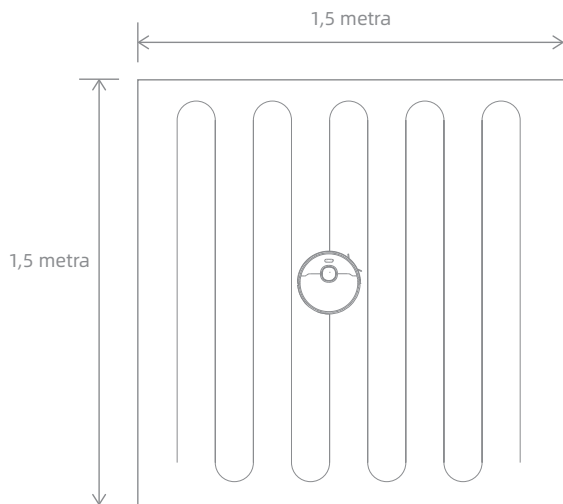
### Uwaga:

- Wcześniej zaplanowane zadania czyszczenia zostaną nadal wykonane w trybie „Nie przeszkadzać”.
- Niedokończone wcześniej zadania sprzątnia zostaną wznowione po zakończeniu trybu „Nie przeszkadzać”.

# Użytkowanie

## 6. Tryb czyszczenia punktowego

Gdy robot jest wstrzymany lub przełączony w tryb czuwania, należy wcisnąć przycisk  i przytrzymać go przez 3 sekundy, aby uruchomić tryb czyszczenia punktowego. W tym trybie robot oczyści kwadratową powierzchnię o wymiarach 1,5 x 1,5 metra bezpośrednio wokół siebie. Po zakończeniu czyszczenia punktowego robot automatycznie wróci do pierwotnego położenia i wyłączy się.



**Uwaga:** włączenie trybu czyszczenia punktowego spowoduje zakończenie bieżącego zadania czyszczenia.

## 7. Zaplanowane czyszczenie

Aplikacja Mi Home/Xiaomi Home pozwala zaplanować czyszczenie. Robot automatycznie rozpocznie zadanie o wyznaczonej godzinie, a po jego zakończeniu wróci do stacji ładującej w celu naładowania.

## 8. Więcej funkcji aplikacji

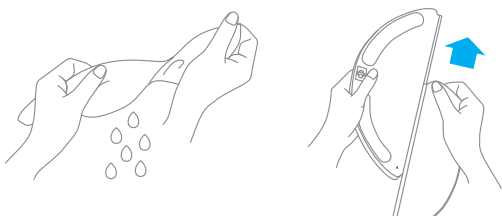
Postępuj zgodnie z instrukcjami w interfejsie aplikacji, aby korzystać z większej liczby funkcji. Wersja aplikacji mogła zostać zaktualizowana i należy postępować zgodnie z instrukcjami opartymi na aktualnej wersji aplikacji.

# Użytkowanie

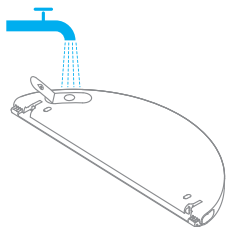
## 9. Użycie funkcji mopowania

Zaleca się odkurzanie wszystkich podłóg co najmniej trzy razy przed pierwszym myciem, aby uzyskać lepszy efekt czyszczenia.


1) Zwilż wkład i wykręć nadmiar wody, a następnie wsuń go do końca w szczelinę zbiornika na wodę do momentu pełnego zamocowania.

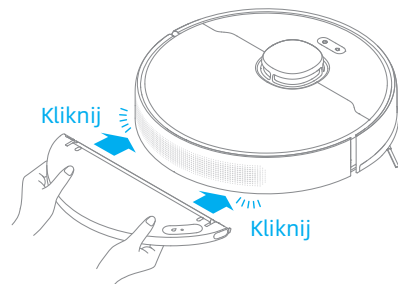


2) Otwórz pokrywę zbiornika i wlej wodę, a następnie dokładnie zamknij pokrywę.



**Uwaga:** Nie używać żadnych środków czyszczących ani dezynfekujących.

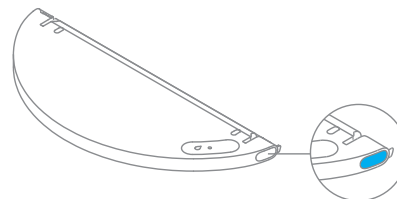
3) Wyrównaj moduł mopujący zgodnie ze strzałką, a następnie wsuń go z tyłu robota, aż do jego zatrzaśnięcia we właściwej pozycji. Naciśnij przycisk  lub użyj aplikacji Mi Home / Xiaomi Home, aby rozpocząć czyszczenie.



**Uwaga:**

- Nie zaleca się używania funkcji mopowania na dywanach.
- Za pomocą aplikacji można regulować przepływ wody w zależności od potrzeb.

4) Aby wyjąć zbiornik wody należy nacisnąć boczne zatrzaski i pociągnąć moduł mopujący.

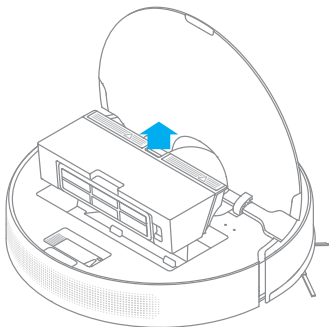


**Uwaga:** Gdy odkurzacz ładuje się lub nie jest używany, należy wyjąć moduł mopujący, wylać wodę pozostałą w zbiorniku i umyć wkład myjący, aby zapobiec powstawaniu pleśni lub utrzymywaniu się nieprzyjemnych zapachów.

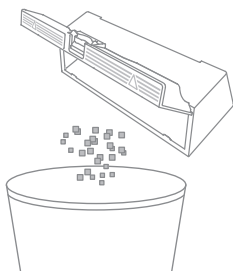
# Dzienna konserwacja

## Pojemnik na kurz i filtr

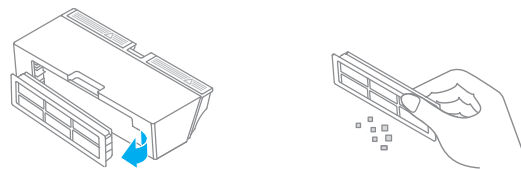
1. Otwórz pokrywę robota i naciśnij zatrzask, aby wyjąć pojemnik na kurz.



2. Otwórz pokrywę pojemnika zgodnie z diagramem.

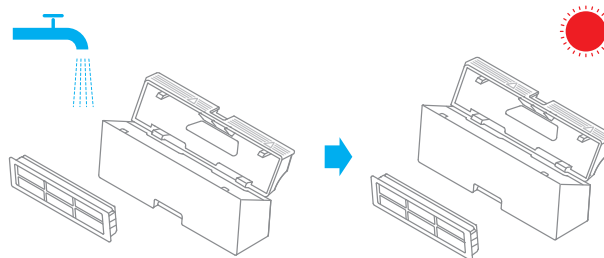


3. Wyjmij filtr i delikatnie postukaj, aby usunąć brud.



**Uwaga:** Nie należy czyścić filtra szczotką ani palcem.

4. Wypłucz pojemnik na kurz i filtr, aż będą czyste. Przed ponownym zamontowaniem należy dokładnie osuszyć filtr.



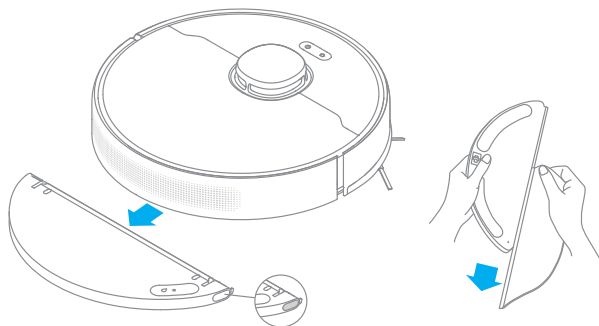
**Uwaga:**

- Do czyszczenia filtra należy używać wyłącznie czystej wody. Nie stosować detergentów.
- Przed użyciem filtr musi całkowicie wyschnąć.

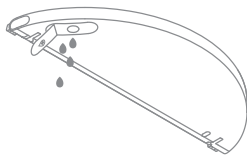
# Dzienna konserwacja

## Czyszczenie modułu mopującego

1. Należy nacisnąć boczne zatrzaski wkładu myjącego i pociągnąć moduł myjący, aby go wyjąć.

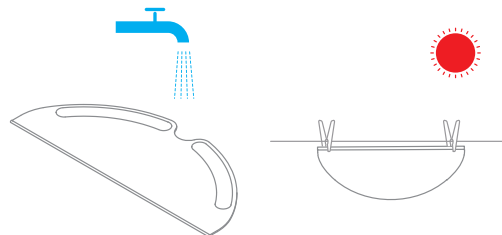


2. Opróżnij pozostałą wodę ze zbiornika. Przed ponownym zamontowaniem opłucz wodą i pozostaw do wyschnięcia na powietrzu.



**Uwaga:** nie wystawiać zbiornika bezpośrednio na słońce.

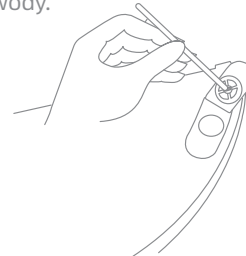
3. Wyczyść i osusz wkład myjący.



### Uwaga:

- Po użyciu wyjąć wkład myjący i oczyścić. Należy upewnić się, że brudna woda nie wpływa z powrotem do odpływu wody, aby uniknąć jego zatkania.
- Aby uzyskać optymalną wydajność, zaleca się wymianę wkładu co 3-6 miesięcy.

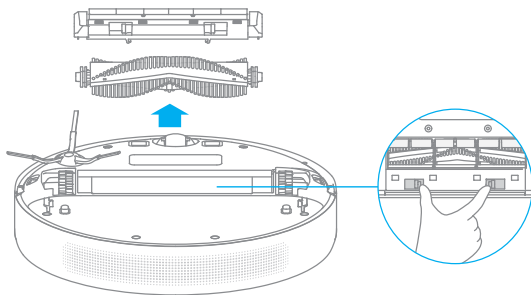
4. Jeśli występuje powolny przepływ wody lub objętość nie jest dobrze rozprowadzona, należy wyczyścić otwór powietrzny w pokrywie zbiornika wody.



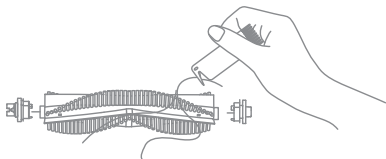
## Dzienna konserwacja

### Czyszczenie szczotki głównej

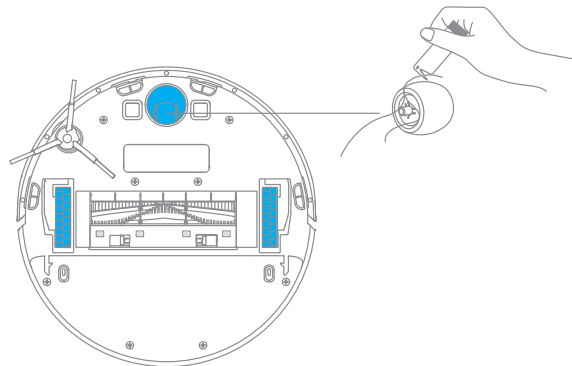
Naciśnij zatrzaski zwalniające pokrywę szczotki głównej i wyjmij ją ruchem do góry.



Wyciągnij ostony szczotek, jak pokazano na schemacie. Użyj dołączonego narzędzia do czyszczenia, aby usunąć włosy wplątane w szczotkę.



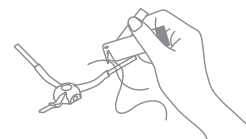
### Czyszczenie koła głównego i koła wielokierunkowego



**Uwaga:** Do rozdzielenia osi i opony należy używać takich narzędzi, jak mały śrubokręt.

### Czyszczenie szczotki bocznej

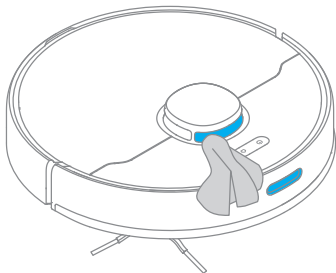
Wyciągnij szczotkę boczną i wyczyść ją za pomocą dołączonego narzędzia do czyszczenia.



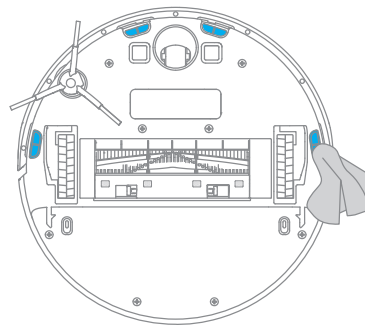
## Dzienna konserwacja

**Uwaga:** Do czyszczenia używaj suchej ściereczki, ponieważ odkurzacz i strona wewnętrzna stacji ładującej zawierają wrażliwe elementy. Nie należy używać mokrej ściereki, aby zapobiec uszkodzeniom spowodowanym przez wodę.



### Wyczyścić czujnik laserowy LDS / Czujnik powrotu do stacji ładującej



### Czyszczenie czujników upadku



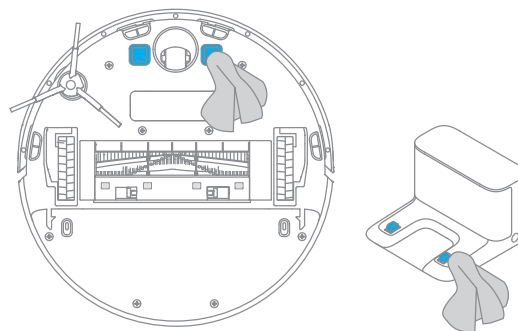
### Resetowanie robota

Jeśli robot przestanie reagować lub nie będzie można go wyłączyć, należy przytrzymać przycisk  przez 10 sekund, aby wyłączyć urządzenie. Następnie naciśnij i przytrzymaj przycisk  przez 3 sekundy, aby włączyć robota.

### Akumulator

Robot wyposażono w wysokiej jakości akumulator litowo-jonowy. Należy upewnić się, że pozostaje on dobrze naładowany podczas codziennego użytkowania, aby utrzymać jego optymalną wydajność. Jeśli robot nie jest używany przez dłuższy czas, należy go wyłączyć i odłożyć. Aby zapobiec uszkodzeniom spowodowanym nadmiernym rozładowaniem, robota należy ładować co najmniej raz na trzy miesiące.

### Czyszczenie styków ładowania



Rodzaj problemu	Rozwiązanie
Robot nie włącza się	Poziom baterii jest zbyt niski. Naładuj robota w stacji ładującej i spróbuj ponownie. Temperatura otoczenia jest zbyt niska (poniżej 0° C) lub zbyt wysoka (powyżej 40° C). Temperatura działania odkurzacza mieści się w zakresie od 0 do 40° C.
Robot nie ładuje się	Stacja ładująca nie jest podłączona do zasilania. Należy upewnić się, że oba końce przewodu są poprawnie podłączone. Słabe połączenie. Wyczyść styki ładowania robota i stacji ładującej.
Robot nie może wrócić do stacji	Wokół stacji ładującej jest zbyt wiele przeszkód. Umieść stację ładującą na większej przestrzeni. Oczyszczyć strefę sygnałową stacji ładującej.
Robot działa nieprawidłowo	Wyłącz i włącz robota ponownie
Robot wydaje dziwny dźwięk	Obcy przedmiot może zaplątać się w szczotkę główną, szczotkę boczną lub jedno z kół głównych. Zatrzymaj odkurzacza i usuń wszelkie zanieczyszczenia.
Robot nie czyści tak skutecznie, jak wcześniej, lub pozostawia kurz za sobą	Pojemnik na kurz jest pełny. Należy go opróżnić. Filtr jest zapchany. Należy go oczyścić. Obcy przedmiot zaplątał się w szczotkę główną. Należy go usunąć.
Robot nie może się połączyć z siecią Wi-Fi	Wystąpił problem z połączeniem Wi-Fi. Należy zresetować połączenie Wi-Fi i pobrać najnowszą wersję aplikacji Mi Home/Xiaomi Home, a następnie spróbować ponownie nawiązać połączenie. Pozwolenie na dostęp do lokalizacji nie jest aktywne. Upewnij się, że zezwolenie na dostęp do lokalizacji w aplikacji Mi Home/Xiaomi Home jest aktywne. Sygnał sieci Wi-Fi jest za słaby. Należy upewnić się, że robot znajduje się w obszarze z dobrym zasięgiem sieci Wi-Fi. Wi-Fi 5 GHz nie jest obsługiwane. Upewnij się, że twój odkurzacz łączy się z Wi-Fi 2,4 GHz. Nazwa użytkownika lub hasło Wi-Fi jest nieprawidłowe. Należy upewnić się, czy zostały wprowadzone prawidłowa nazwa i hasło użytkownika.



## Pytania i odpowiedzi

Rodzaj problemu	Rozwiązanie
Robot nie rozpoczyna zaplanowanego czyszczenia	Robot ma słabą baterię. Zaplanowane czyszczenie nie rozpocznie się, dopóki bateria robota nie będzie naładowana co najmniej w 15%.
Czy pozostawienie robota w stacji ładującej powoduje zużycie energii nawet wtedy, gdy odkurzacz jest naładowany?	Pozostawienie robota w stacji ładującej po jego pełnym naładowaniu skutkuje minimalnym zużyciem energii, który pomaga zachować optymalną wydajność akumulatora.
Z modułu myjącego nie wypływa woda lub jest jej bardzo mało	Należy upewnić się, że zbiornik jest napełniony wodą. W razie potrzeby wyczyścić wkład myjący. Należy upewnić się, że wkład myjący jest zainstalowany prawidłowo, zgodnie z instrukcją obsługi. Należy oczyścić otwór w zbiorniku na wodę.
Robot nie wznawia czyszczenia po naładowaniu	Należy upewnić się, że robot nie jest w trybie „nie przeszkadzać” , co uniemożliwia wznowienie czyszczenia. Robot nie wznawia czyszczenia po ręcznym naładowaniu lub umieszczeniu w stacji ładującej.
Robot nie wraca do stacji ładującej po jego przeniesieniu	Przeniesienie robota może spowodować zmianę jego pozycji lub ponowne zeskanowanie otoczenia. Jeśli robot jest za daleko od stacji ładującej, może nie być w stanie automatycznie do niej powrócić. W takim przypadku należy ręcznie umieścić go w stacji ładującej.

## Dane techniczne

### Robot

Model	RLS5-BL1
Akumulator	5200 mAh(Nominalna pojemność baterii)
Czas ładowania	Ok. 6 godzin
Łączność bezprzewodowa	Wi-Fi IEEE 802,11b/g/n 2,4 GHz
Napięcie znamionowe	14,4 V $\overline{=}$
Moc znamionowa	40 W
Częstotliwość operacji	2400-2483,5 MHz
Maksymalna moc wyjściowa	< 20 dBm

### Stacja ładująca

Model	RCS0
Wejście	100-240 V ~ 50/60 Hz 0,5 A
Wyjście	19,8 V $\overline{=}$ 1 A

### Informacje dotycz ce europejskiej dyrektywy WEEE



Wszystkie produkty oznaczone tym symbolem są uznane za odpady sprzętu elektrycznego i elektronicznego (WEEE zgodnie z Dyrektywą 2012/19/UE) i nie mogą być wyrzucane po zakończeniu okresu użytkowania wraz z innymi odpadami. W celu ochrony zdrowia ludzi oraz środowiska naturalnego należy przekazać zużyty sprzęt do wyznaczonego punktu utylizacji wyznaczonego przez instytucje rządowe lub lokalne. Prawidłowe usunięcie zużytego produktu pomaga w zapobieganiu potencjalnym negatywnym skutkom oddziaływania na środowisko naturalne i zdrowie ludzi. Więcej informacji można uzyskać w urzędzie lokalnym lub od instalatora.

## Instruções de segurança

### Restrições de Uso

Este produto pode ser usado por crianças com 8 anos ou mais, e pessoas com deficiências físicas, sensoriais, intelectuais ou experiência ou conhecimento limitados sob a supervisão de um dos seus pais ou responsável para garantir uma operação segura e evitar qualquer risco de perigo. A limpeza e a manutenção não devem ser realizadas por crianças sem supervisão.

Crianças não devem brincar com este produto. Certifique-se de que crianças e animais de estimação sejam mantidos a uma distância segura do robô enquanto estiver operando.

Este produto destina-se apenas à limpeza de pisos em ambientes domésticos. Não o use ao ar livre, em superfícies que não sejam o piso ou no ambiente comercial ou industrial.

Não use este produto na área suspensa acima do nível do solo sem proteção.

Não use este produto em uma temperatura ambiente acima de 40 ° C ou abaixo de 0 ° C ou em um piso com líquidos ou substâncias pegajosas.

Arrume os cabos do chão antes de usar para evitar que o robô os arraste durante a limpeza.

Remova itens frágeis ou pequenos do chão para evitar que o robô bata e danifique-os durante a operação.

Mantenha cabelos, dedos e outras partes do corpo longe da abertura de sucção dos robôs.

Mantenha a ferramenta de limpeza com escova fora do alcance das crianças.

Não coloque crianças, animais de estimação ou qualquer item em cima do robô,

## Instruções de segurança

### Restrições de Uso

independentemente de estar parado ou em movimento.

Não use o robô para limpar objetos em chamas.

Não aspire objetos duros ou pontiagudos.

Certifique-se de que o robô esteja desligado e a base de carregamento esteja desconectada antes de limpar ou realizar manutenção.

Não limpe nenhuma parte do produto com o pano úmido ou líquidos.

Use este produto de acordo com as instruções do Manual do Usuário. Os usuários são responsáveis por qualquer perda ou dano que surja do uso impróprio deste produto.

## Instruções de segurança

### Baterias e Carregamento

Não use nenhuma bateria, carregador ou base de carregamento de terceiros. Use apenas com a unidade de alimentação RCS0.

Não tente desmontar, reparar ou modificar a bateria ou base de carregamento por conta própria.

Não coloque a base de carregamento perto da fonte de calor.

Não use o pano úmido ou as mãos molhadas para limpar os contatos de carregamento da base.

Não descarte baterias velhas de maneira inadequada. Baterias desnecessárias devem ser descartadas na instalação de reciclagem apropriada.

Se o cabo de alimentação for danificado ou quebrado, pare de usá-lo imediatamente e entre em contato com o serviço pós-venda.

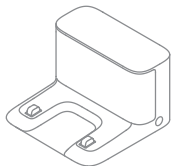
Certifique-se de que o robô esteja desligado ao ser transportado e mantido em sua embalagem original, se for possível.

Se o robô não for usado por um longo período, carregue-o totalmente, desligue-o e guarde-o no local fresco e seco. Recarregue o robô pelo menos uma vez a cada 3 meses para evitar o descarregamento excessivo da bateria.

Este produto contém baterias que só podem ser substituídas por técnicos qualificados ou serviço pós-venda.

# Apresentação do Produto

## Lista de acessórios



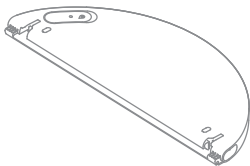
Doca de carregamento



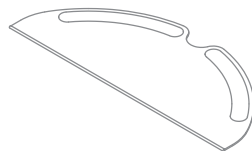
Ferramenta de limpeza



Cabo de alimentação



Tanque de água



Esfregona

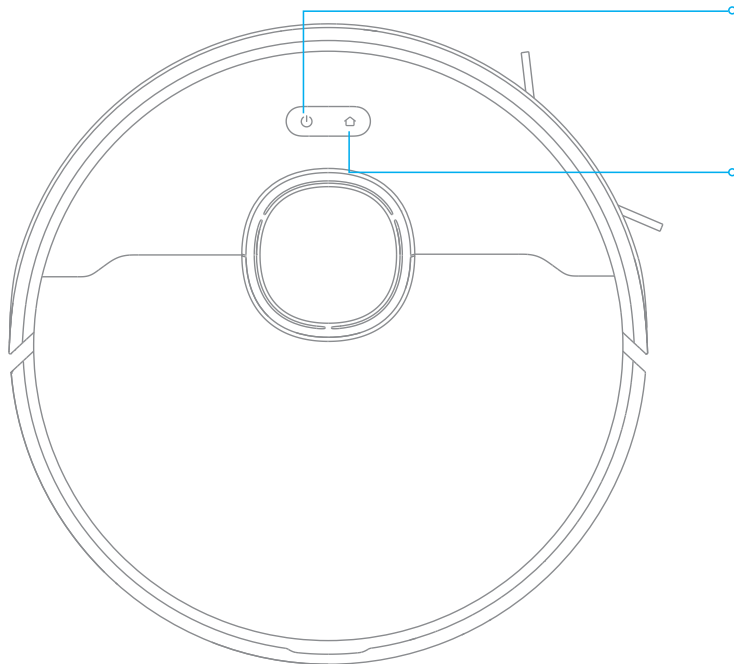


Escova lateral

**Nota:** as ilustrações neste manual são apenas para referência. Consulte o produto real.

# Apresentação do Produto

## Robô



### Botão de Energia / Limpeza

- Pressione e segure por 3 segundos para ligar/desligar
- Depois de ligar, pressione brevemente para iniciar a limpeza

### Doca de retorno/Botão de limpeza localizada

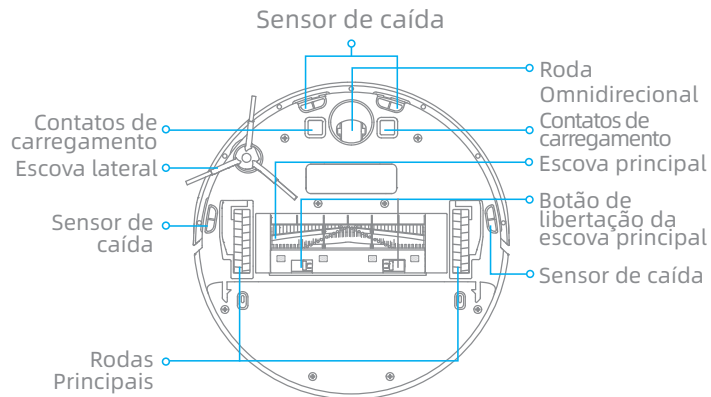
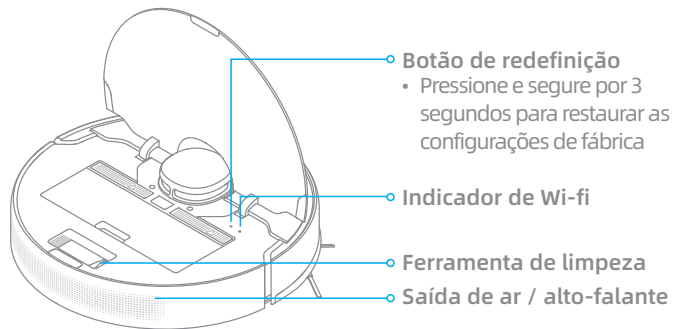
- Pressione para iniciar a base de retorno
- Mantenha premido durante 3 segundos para iniciar o modo de Limpeza pontual

### Indicador de status

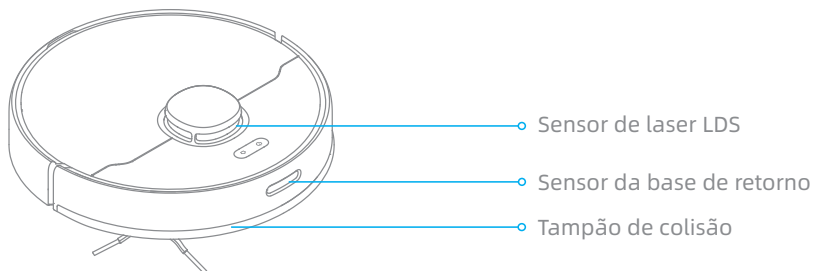
- Branco: Limpeza/Limpeza concluída/Carga completa
- Branco a piscar: voltar para a estação para carregar (bateria normal)
- Branco a pulsar: a carregar (bateria normal)
- Laranja a piscar: voltar para a estação para carregar (bateria fraca)
- Laranja a pulsar: a carregar (bateria fraca)

# Apresentação do Produto

## Robô



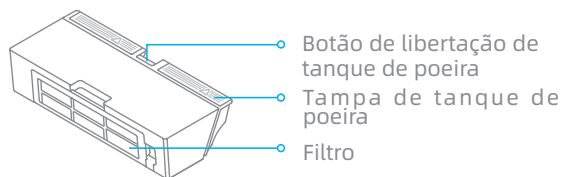
## Sensor de robô



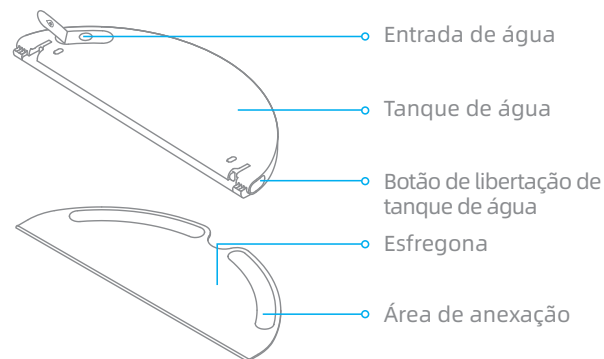


# Apresentação do Produto

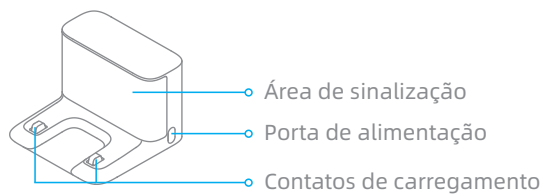
## Tanque de poeira



## Módulo de esfregão

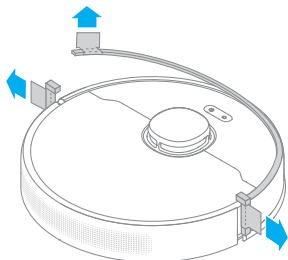


## Doca de carregamento

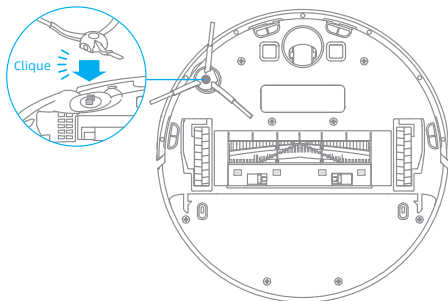


# Preparação antes do Uso

## 1. Remova o material protetor

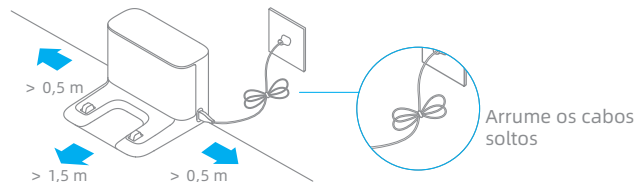


## 2. Instale a escova lateral



**Nota:** instale a escova lateral até que se encaixe no lugar.

## 3. Coloque a base de carregamento no nível do solo contra a parede, Conecte com a tomada elétrica.



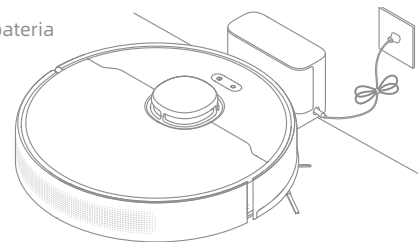
### Nota:

- Mantenha a área 1,5 m na frente do carregador e 0,5 m em ambos os lados da base de carregamento sem nenhum objeto.
- Para garantir a melhor experiência do uso no app de telefone, certifique-se de que o robô e a base de carregamento estejam dentro do alcance do Wi-Fi.
- Não coloque a base de carregamento na área com luz solar direta, ou onde outros objetos possam bloquear o sinal.

## 4. Coloque o robô na base de carregamento para que ligará e recarregará automaticamente.

### 🔌 Indicador de nível de bateria

- Branco: o nível da bateria é superior a 15%
- Laranja: o nível da bateria é inferior a 15%



### Nota:

- Recomenda-se carregar totalmente o seu robô antes de usá-lo pela primeira vez.
- Para garantir a segurança durante o carregamento e evitar que o pano mopá danifique as superfícies do chão, remova a unidade de lavagem antes de carregar.

# Conectando-se ao Aplicativo Mi Home / Xiaomi Home

O produto já está ligado com o aplicativo Mi Home / Xiaomi Home. Use o aplicativo Mi Home / Xiaomi Home para controlar seu dispositivo e interagir com outros dispositivos domésticos inteligentes.

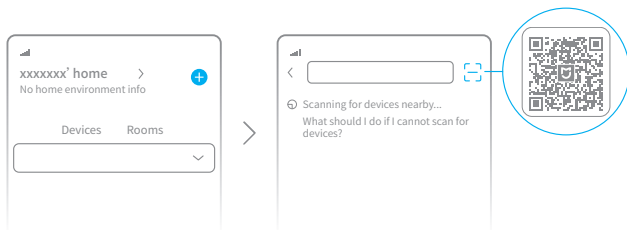
## 1. Baixe o aplicativo Mi Home / Xiaomi Home

Digitalize o código QR abaixo ou procure na Loja para baixar e instalar o aplicativo de Mi Home / Xiaomi Home.



## 2. Acrescentação do dispositivo



Abra o aplicativo Mi Home / Xiaomi Home e toque em "+" no canto superior direito. Em seguida, toque em " " no canto superior direito, escaneie o código QR, adicione "Dreame Bot D9 Max" e siga as instruções para concluir a conexão.

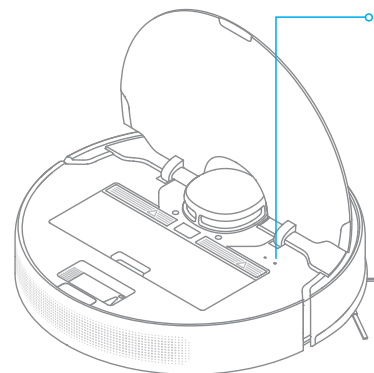


### Nota:

- Apenas Wi-Fi de 2,4 GHz é compatível.
- A versão do aplicativo pode ter sido atualizada, siga as instruções com base na versão atual do aplicativo.

## 3. Redefinição de Wi-Fi

Pressione e segure simultaneamente os botões  e  até ouvir que "Aguardando a configuração da rede". Assim que o indicador Wi-Fi estiver piscando lentamente, o Wi-Fi foi redefinido com sucesso.





- Indicador de Wi-fi
- Piscando lentamente: para ser conectado
  - Piscando rapidamente: conectando
  - Ligado: Wi-Fi conectado


**Nota:** Se o seu robô não conseguir se conectar ao aplicativo com sucesso, reinicie o Wi-Fi e adicione o dispositivo novamente.

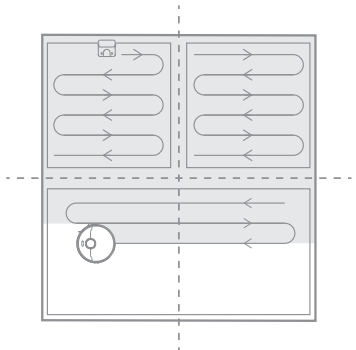
# Como usar

## 1. Ligar / desligar

Pressione e segure o botão  por 3 segundos para ligar o robô. Quando o indicador de energia fica branco, está no modo de espera. Para desligar o robô, pressione e segure o botão  por 3 segundos quando o robô não estiver se movendo.

## 2. Começar a limpar

Pressione o botão  brevemente para ligar o robô. Após ativar, o robô irá mapear com precisão a rota da limpeza, arrumar metodicamente ao longo das bordas e paredes e, em seguida, terminar a limpeza dividida de cada sala em forma de S para garantir um trabalho completo.



**Nota:** Se a bateria estiver muito fraca, o robô retornará automaticamente à base de carregamento. Retomará as tarefas de limpeza não concluídas após carregar até o nível de bateria necessário.

(A função de limpeza contínua desde o ponto de interrupção deve ser

## 3. Modo de limpeza

O app de telefone tem quatro modos de limpeza: Silencioso, Padrão, Forte e Turbo. O modo automático é Padrão.

## 4. Modo de pausa / suspensão

Pausando: pressione qualquer botão para pausar o robô durante a limpeza.

Modo de suspensão: o robô entrará automaticamente no modo de suspensão após 10 minutos de inatividade e, em seguida, os indicadores de energia e carga desligarão. Para acordar o robô, pressione qualquer botão.

### Nota:

- O robô desligará automaticamente se for deixado no modo de suspensão por mais de 12 horas.
- Quando o robô estiver pausado, colocá-lo na base de carregamento encerrará a tarefa de limpeza atual.

## 5. Modo Não Perturbe


O Modo Não Perturbe evita que o robô inicie automaticamente as tarefas de limpeza e o indicador de energia permanece apagado. Você pode habilitar este modo ou modificar seu horário no aplicativo. (O modo padrão é das 22:00 às 08:00.)

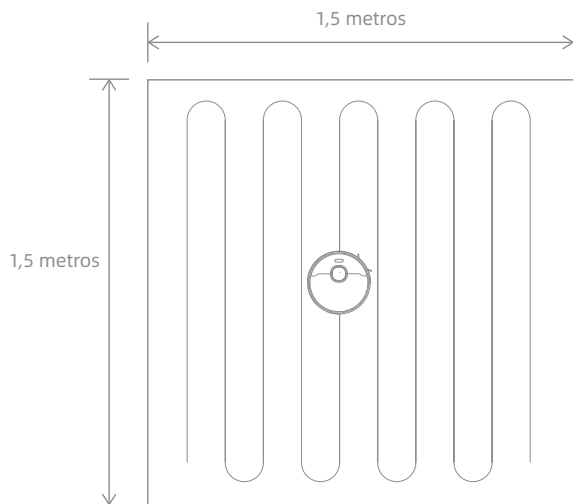
### Nota:

- As tarefas de limpeza agendadas ainda serão realizadas durante o período de não perturbação.
- Caso tiver tarefa da limpeza desde o ponto de interrupção, o robô continuará a funcionar após o término do período não perturbação.

## Como usar

### 6. Modo de Limpeza Localizada

Quando o robô estiver pausado ou no modo de espera, pressione e segure o botão  por 3 segundos para iniciar o modo de limpeza localizada. Neste modo, limpará uma área quadrada de 1,5m x 1,5 m diretamente ao redor. Quando a limpeza local for concluída, o robô retornará automaticamente ao seu local original e desligará.



**Nota:** ativar o Modo de Limpeza Localizada encerrará a tarefa de limpeza atual do robô.

### 7. Limpeza Programada

Você pode agendar o tempo de limpeza no app Mi Home / Xiaomi Home. O robô começará a limpeza automaticamente no horário designado e, em seguida, retornará à base de carregamento para recarregar quando a limpeza for concluída.

### 8. Funções adicionais do aplicativo

Siga as instruções na interface do aplicativo para usar mais funções.

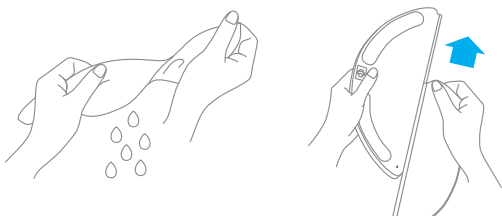
A versão do aplicativo pode ter sido atualizada; siga as instruções com base na versão atual do aplicativo.

## Como usar

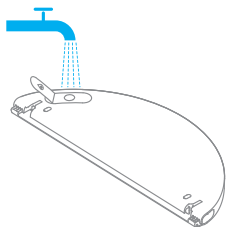
### 9. Uso de Função de Esfregar

Recomenda-se que todos os pisos sejam aspirados pelo menos três vezes antes da primeira sessão de esfregar para obter um melhor efeito de limpeza.


1) Umedeça a almofada do esfregão e torça o excesso de água. Faça deslizar a almofada totalmente para dentro pela abertura do tanque de água até que esteja firmemente no lugar.

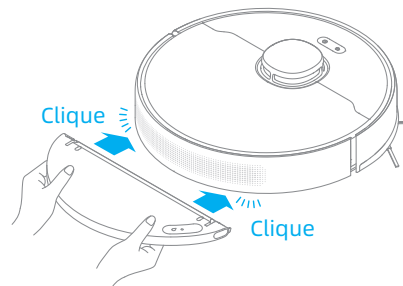


2) Abra a tampa do tanque de água, encha-o com água e feche a tampa com segurança.



**Nota:** não use detergente ou desinfetante.

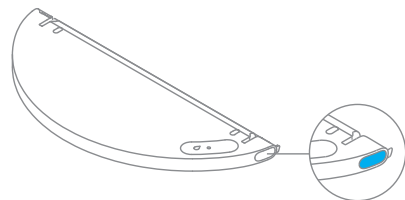
3) Alinhe o módulo de limpeza conforme indicado pela seta e, em seguida, deslize-o na parte de trás do robô até que se encaixe no lugar. Pressione o botão  ou use o aplicativo Mi Home / Xiaomi Home para iniciar a limpeza.



**Nota:**

- Não é recomendado usar a função de esfregar em tapetes.
- Use o aplicativo para ajustar o fluxo de água conforme necessário.

4) Pressione os dois cliques laterais interiores e deslize o tanque de água para trás para separá-lo do robô.

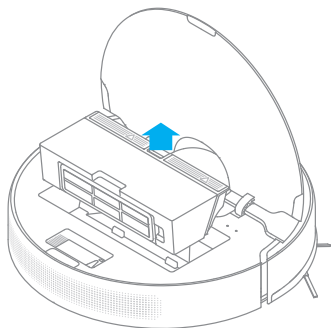


**Nota:** quando o robô estiver carregando ou não estiver em uso, remova o módulo de esfregão, despeje toda a água restante no tanque e limpe o esfregão para evitar mofo ou odor.

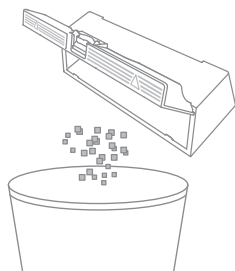
# Manutenção de Rotina

## Limpeza do Depósito de Pó e do Filtro

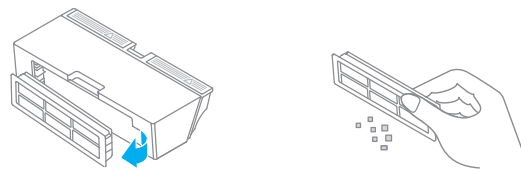
1. Abra a tampa do robô e pressione o clipe do coletor de pó para removê-lo.



2. Abra a tampa do compartimento de pó conforme indicado pelo diagrama.

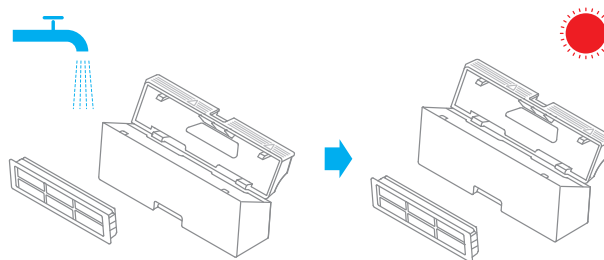


3. Remova o filtro e bata suavemente no cesto.



**Nota:** não limpe o filtro com uma escova ou dedo.

4. Enxágue o coletor de pó e o filtro com água até que estejam limpos. Seque bem o filtro antes de reinstalar.

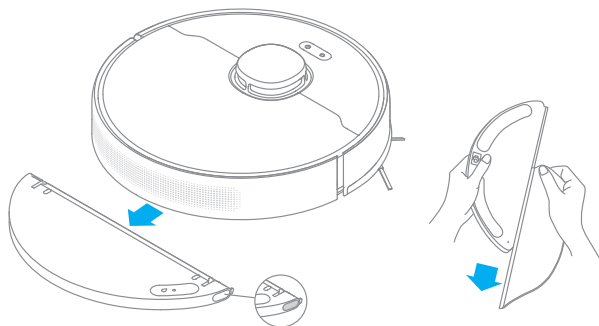


**Nota:**

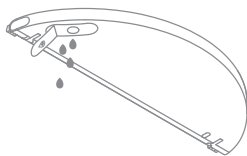
- Somente água limpa deve ser usada para limpar o filtro sem uso de detergente.
- Mantenha-o em local bem ventilado ou fresco.

## Limpeza do Módulo de Esfregão

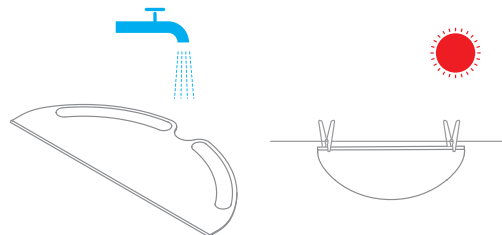
1. Pressione os dois cliques de liberação na lateral do tanque de água, remova o módulo de esfregão e puxe o esfregão para fora.



2. Despeje a água do tanque. Limpe com água e deixe secar ao ar antes de reinstalar.



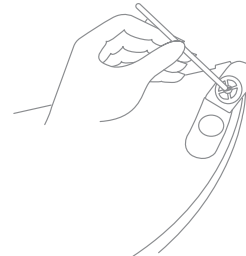
3. Limpe o esfregão apenas com água e deixe secar ao ar antes de reinstalar.



### Nota:

- Remova a almofada do módulo para ser limpada e certifique-se de que água suja não flua de volta para a saída de água a fim de evitar entupimento.
- Para garantir o desempenho ideal, é recomendado substituir o esfregão a cada 3 a 6 meses.

4. Se ocorrer fluxo lento de água ou o volume não estiver bem distribuído, limpe o orifício de ar na tampa do tanque de água.



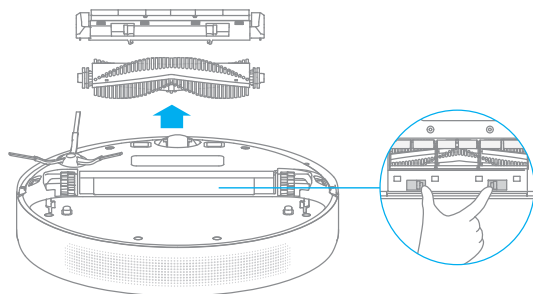
**Nota:** Não exponha o tanque ao sol diretamente.



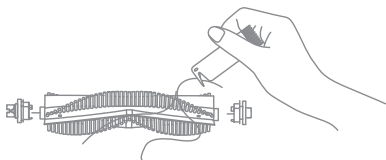
# Manutenção de Rotina

## Limpeza da Escova Principal

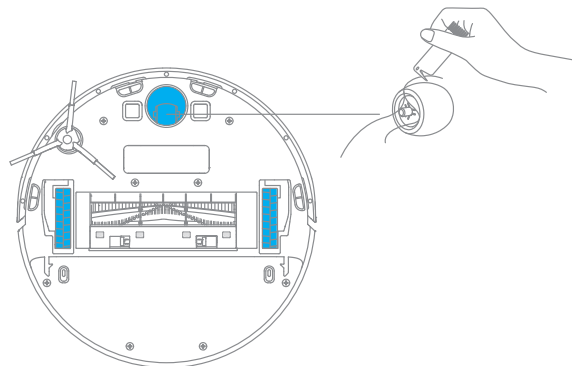
Pressione os cliques de libertação de proteção interiores da escova principal para remover a sua tampa, assim que retire a escova principal.



Retire as tampas da escova conforme mostrado no diagrama. Use a ferramenta de limpeza incluída para remover todos os pelos emaranhados na escova.



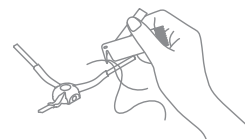
## Limpeza da roda principal / roda omnidirecional



**Nota:** use a ferramenta como uma pequena chave de fenda para separar o eixo e o pneu.

## Limpeza da Escova Lateral

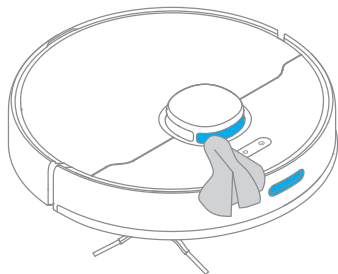
Retire as escovas laterais e use a ferramenta para remover qualquer cabelo emaranhado.



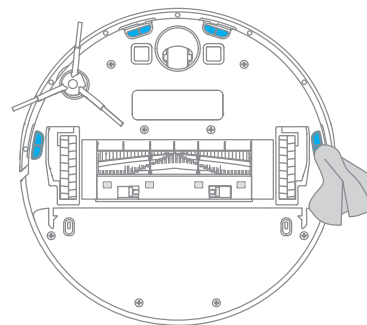
## PT Manutenção de Rotina

Nota: Sendo que os panos úmidos podem danificar elementos sensíveis dentro do robô e da base de carregamento. Use panos secos para limpeza.



### Limpe o sensor de laser LDS / sensor da base de retorno



### Limpe o sensor de caída



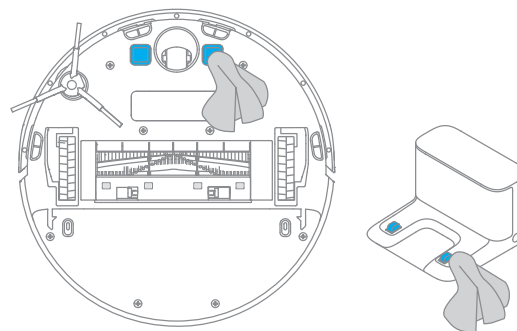
### Reiniciando Robô

Se o robô parar de responder ou não puder ser desligado, pressione e segure o botão  por 10 segundos para desligá-lo à força. Em seguida, pressione e segure o botão  por 3 segundos para ligar o robô.

### Bateria

O robô contém a bateria de íon de lítio de alto desempenho. Certifique-se de que ele permanece bem carregado para uso diário a fim de manter o seu desempenho ideal. Se o robô não for usado por um longo período de tempo, desligue-o e guarde-o. Para evitar danos por descarga excessiva, o robô deve ser recarregado pelo menos uma vez a cada três meses.

### Limpe o contacto de carregamento



## Perguntas Frequentes

Tipo de Problema	Solução
Não consegue ligar	O nível da bateria está baixo. Recarregue o robô na base de carregamento e tente novamente. A temperatura ambiente é muito baixa (abaixo de 0 ° C) ou muito alta (acima de 40 ° C) . A temperatura de operação do robô é de 0 ° C a 40 ° C.
Não consegue carregar	A base de carregamento não liga com a energia. Verifique se ambas as extremidades do cabo de alimentação estão conectadas corretamente. Contato não estável. Limpe os contatos de carregamento da base de carregamento e do robô.
O robô não retorna para a doca de carregamento	Há muitas obstruções ao redor da base de carregamento. Coloque a base de carregamento na área mais aberta. Limpe a área de sinalização da base.
Mal funcionamento do robô	Desligue o robô e reative-o.
O robô está fazendo um barulho estranho	Terá a possibilidade de haver um objeto estranho anexado na escova principal, escova lateral ou uma das rodas principais. Pare o robô e remova todos os detritos.
O robô não limpa com eficiência ou deixa poeira para trás	O tanque do lixo está cheio. Limpe-o. O filtro está bloqueado. Limpe-o. Um objeto estranho está preso na escova principal. Limpe-a.
O robô não consegue se conectar ao Wi-Fi	Há algo errado com a conexão Wi-Fi. Reinicie o Wi-Fi e baixe a versão mais recente do aplicativo Mi Home / Xiaomi Home e tente reconectar. A permissão de localização está fechada. Verifique se a permissão de localização no app Mi Home / Xiaomi Home está ativada. O sinal de Wi-Fi está fraco. Certifique-se de que o robô está na área com boa cobertura de Wi-Fi. O Wi-Fi de 5 GHz não é compatível. Verifique se o seu robô se conecta ao Wi-Fi de 2,4 GHz. O nome de usuário ou senha do Wi-Fi está incorreto. Digite o nome de usuário e a senha corretos.

## Perguntas Frequentes

Tipo de Problema	Solução
O robô não realiza limpeza programada	O robô está com a bateria fraca. A limpeza programada não será iniciada a menos que o robô tenha sido recarregado a tempo.
Deixar o robô na base de carregamento consome energia se já estiver totalmente carregado?	Deixar o robô na base de carregamento após ele estar totalmente carregado consome muito pouca eletricidade, e ajuda a manter o desempenho ideal da bateria.
Não sai água ou sai apenas um pouco do módulo de limpeza	Confirme se o tanque de água está cheio e limpe o esfregão, se for necessário. Limpe o esfregão se ficar sujo. Certifique-se de que o esfregão está instalado corretamente de acordo com o manual do usuário. Limpe o respiradouro na parte superior do tanque de água.
O robô não retoma a limpeza após o carregamento	Certifique-se de que o robô não esteja definido para o Modo Não Perturbe, o que o impedirá de retomar a limpeza. O robô não retoma a limpeza quando é recarregado manualmente ou colocado na base de carregamento.
O robô não retorna à base de carregamento após ser movido	Mover o robô pode fazer com que se repositone ou mapeie novamente seus arredores. Se o robô estiver muito longe da base de carregamento, pode não ser capaz de retornar automaticamente por conta própria, neste caso, é precisa colocar manualmente o robô para a base de carregamento.

# Especificações

## Robô

Modelo	RLS5-BL1
Bateria	5200 mAh(Capacidade nominal)
Tempo de carregamento	Cerca de 6 Horas
Conexão Wi-Fi	Wi-Fi IEEE 802.11b/g/n 2,4 GHz
Tensão nominal	14,4 V $\text{---}$
Potência nominal	40 W
Frequência de operação	2400-2483,5 MHz
Potência máxima de saída	< 20 dBm

## Doca de carregamento

Modelo	100-240 V~ 50/60 Hz 0,5 A
Potência nominal de entrada	100-240 B ~ 50/60 Гц 0,5 A
Potência nominal de saída	19,8 V $\text{---}$ 1 A

- لا تستخدم أي بطارية أو شاحن أو قاعدة شحن تابعة لشركة أخرى. تستخدم فقط مع وحدة الإمداد RCS0.
- لا تحاول تفكيك البطارية أو قاعدة الشحن أو إصلاحهما أو تعديلهما بنفسك.
- لا تضع قاعدة الشحن بالقرب من مصدر الحرارة.
- لا تستخدم قطعة قماش مبللة أو يدين مبللتين لمسح أو تنظيف موصلات شحن قاعدة الشحن.
- لا تتخلص من البطاريات القديمة بشكل غير صحيح. يجب التخلص من البطاريات غير المطلوبة في مرفق إعادة التدوير المناسب.
- في حالة تلف سلك الطاقة أو تعطله، توقف عن استخدامه على الفور واتصل بخدمة ما بعد البيع.
- تأكد من إيقاف تشغيل الروبوت عند نقله ثم ضعه في عبوته الأصلية إن أمكن.
- إذا لم يتم استخدام الروبوت لفترة طويلة، فقم بشحنه حتى يمتلئ بالشحن، ثم أطفئه واحفظه في مكان بارد وجاف.
- أعد شحن الروبوت مرة واحدة على الأقل كل 3 أشهر لتجنب التفريغ المفرط للبطارية.
- يحتوي هذا المنتج على بطاريات لا يمكن استبدالها إلا من قبل فنيين مؤهلين أو خدمة ما بعد البيع.

## قيود الاستخدام

يمكن استخدام هذا المنتج من قبل الأطفال الذين تتراوح أعمارهم بين 8 سنوات فما فوق والأشخاص الذين يعانون من قصور جسدي أو حسي أو فكري أو خبرة محدودة أو معرفة محدودة تحت إشراف أحد الوالدين أو الوصي لضمان التشغيل الآمن وتجنب أي خطر من المخاطر. يجب ألا يتم التنظيف والصيانة من قبل الأطفال دون إشراف. يجب ألا يلعب الأطفال بهذا المنتج. تأكد من بقاء الأطفال والحيوانات الأليفة على مسافة آمنة من الروبوت أثناء تشغيله.

هذا المنتج مخصص لتنظيف الأرضيات في بيئة منزلية فقط. لا تستخدمه في الخارج أو على الأسطح غير الأرضية أو في بيئة تجارية أو صناعية.

لا تستخدم الروبوت في منطقة معلقة فوق مستوى الأرض دون حاجز واقٍ.

لا تستخدم الروبوت عند درجة حرارة محيطية أعلى من 40 درجة مئوية أو أقل من 0 درجة مئوية أو على أرضية عليها سوائل أو مواد لاصقة.

أبعد أي كابلات من الأرضية قبل استخدام الروبوت لتجنب قيامه بسحبها أثناء التنظيف.

قم بإزالة العناصر الهشة أو الصغيرة من الأرضية لمنع الروبوت من الاصطدام بها وتحطيمها.

أبق الشعر والأصابع وأعضاء الجسم الأخرى بعيدة عن فتحة الشفط الخاصة بالروبوت.

احفظ أداة تنظيف الفرشاة بعيدة عن متناول الأطفال.

لا تضع الأطفال أو الحيوانات الأليفة أو أي شيء على الروبوت بغض النظر عن كونه ثابت أو متحرك.

لا تستخدم الروبوت لتنظيف أي أسطح مشتعلة.

ال تقم بكنس الأجسام الصلبة أو الحادة.

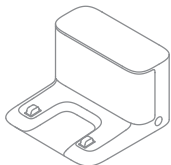
قبل التنظيف أو إجراء الصيانة، تأكد من إيقاف تشغيل الروبوت وفصل قاعدة الشحن من مأخذ الكهرباء.

لا تقم بمسح أي جزء من هذا المنتج باستخدام قطعة قماش مبللة أو أي سوائل.

يرجى استخدام هذا المنتج وفقاً للتعليمات الواردة في دليل المستخدم. يتحمل المستخدمون مسؤولية أي خسارة أو ضرر ناتج عن الاستخدام غير الصحيح لهذا المنتج.

# تعريف بالمنتج

## قائمة الملحقات



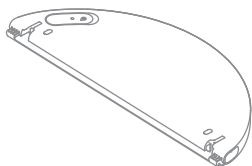
مقعد الشحن



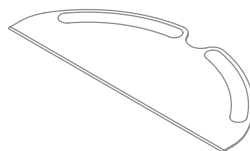
أداة التنظيف



الوصلة الكهربائية



خزان المياه



الممسحة



الفرشاة الجانبية

ملاحظة: الرسومات الواردة في هذا الدليل تستخدم مرجع للاطلاع، يرجى الرجوع إلى المنتج الفعلي للحصول على الصورة الحقيقية.



## الجهاز الرئيسي

## زر التشغيل/تنظيف

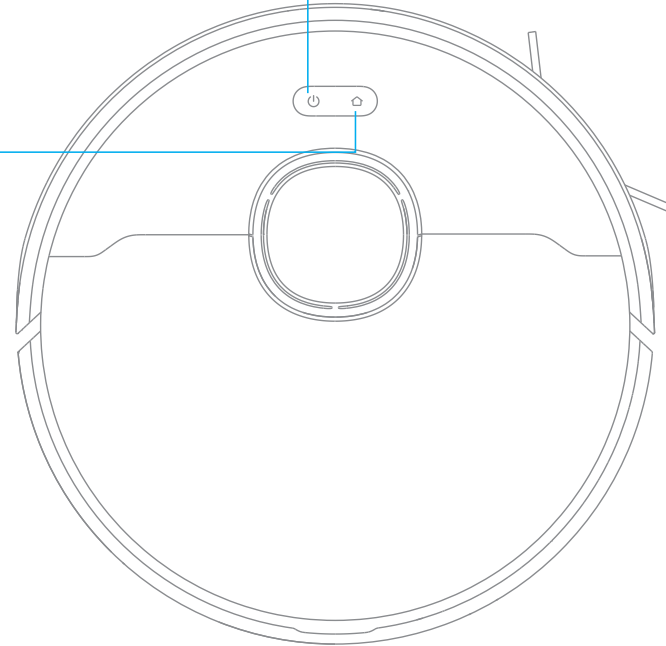
اضغط مطولاً 3 ثوانٍ للفتح أو الغلق  
بعد التشغيل اضغط قصيراً لبدء التنظيف

## وضعية الشحن/التنظيف الجزئي

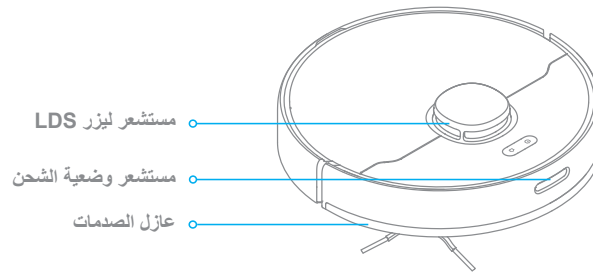
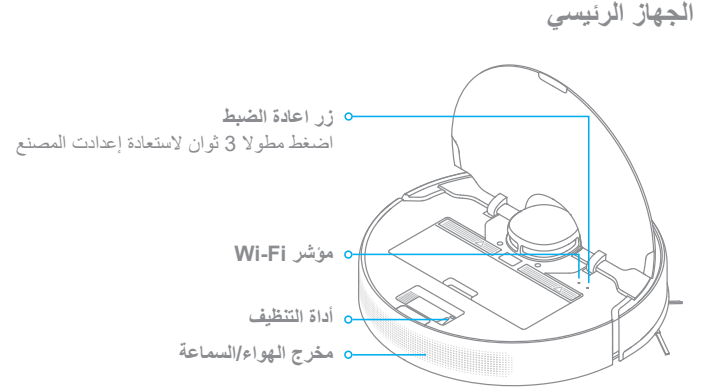
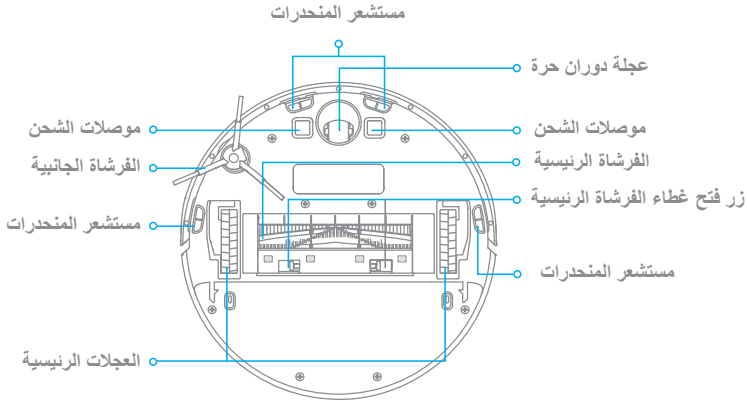
اضغط قصيراً لتشغيل وضعية الشحن  
اضغط مطولاً 3 ثوانٍ لتشغيل التنظيف الجزئي

## مؤشر الحالة

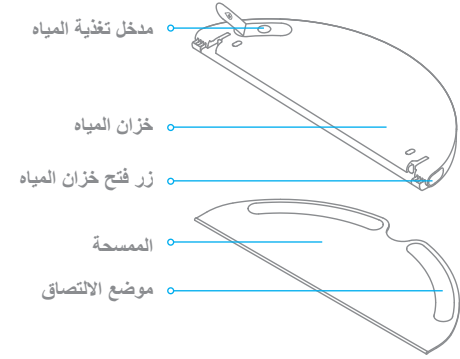
أبيض: جاري العمل/اكتمل العمل/اكتمل الشحن  
وميض أبيض سريع: جاري الشحن عند عدم انخفاض الطاقة  
وميض أبيض: جاري الشحن عند عدم انخفاض الطاقة  
وميض أصفر سريع: جاري العودة للشحن عند انخفاض الطاقة/حدوث عطل  
وميض أصفر: جاري الشحن عند انخفاض الطاقة



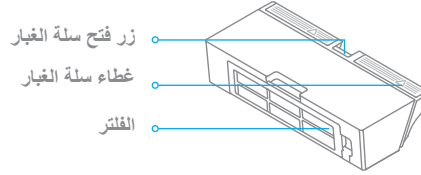
## تعريف بالمنتج



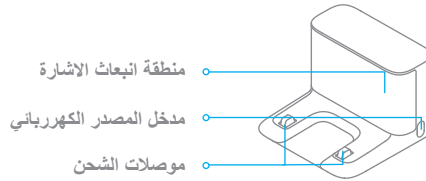
## وحدة الممسحات



## سلة الغبار

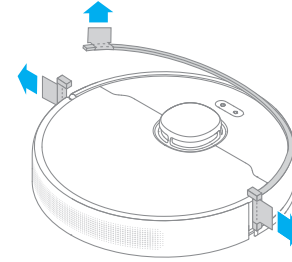


## مقعد الشحن

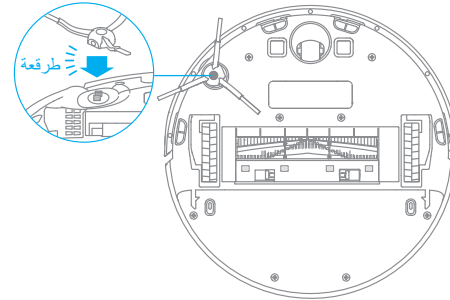


## تحضيرات قبل الاستخدام

1. إزالة مواد الحماية

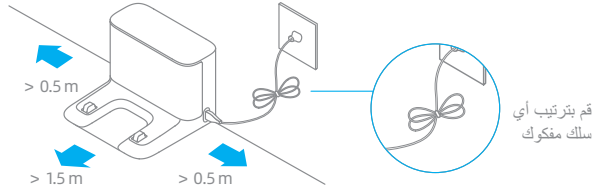


2. ركب الفرشاة الجانبية



ملاحظة: سماع صوت طرقعة يعني انها قد ثبتت في المكان الصحيح

3. ضع قاعدة الشحن على مستوى الأرض مقابل الحائط وقم بتوصيلها إلى مصدر الطاقة

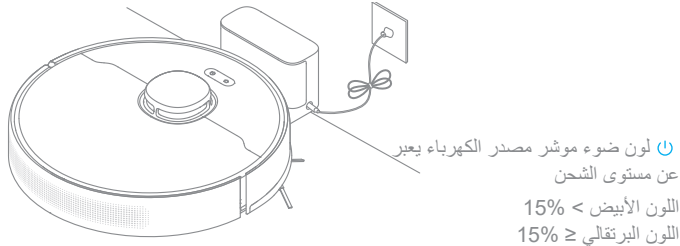


قم بترتيب أي  
سلك مفكوك

ملاحظة:

ملاحظة: تأكد من وجود مسافة 0.5 متر أو أكثر على جانبي مقعد الشحن، وأكثر من 1.5 متر أمامها. استخدم التجربة للحصول على أفضل زبائن هاتف المحمول، يرجى وضع مقعد الشحن في نطاق تغطية WIFI. لا تضع مقعد الشحن في ضوء الشمس المباشر أو تغطي منطقة التعرف على مقعد الشحن بأي مادة.

4. سيتم تشغيل الجهاز الرئيسي تلقائياً وبدء الشحن، بعد وضعه على مقعد الشحن



ملاحظة:

يرجى الشحن الكامل قبل أول استخدام.  
عند الشحن لا يوصى بتركيب وحدة المسحقة لمنع المسحقة الرطبة من إتلاف الأرضية.

# الاتصال بتطبيق Mi Home / Xiaomi Home

تم توصيل هذا المنتج بـ Mi Home، حيث يمكن التحكم به وربطه بالمنتجات الأخرى عن طريق تطبيق Mi Home

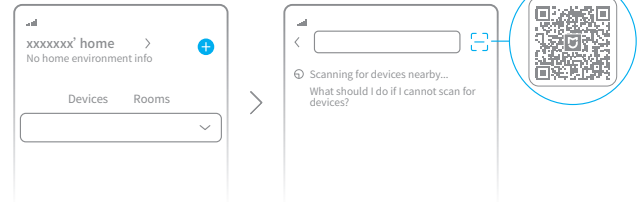
## 1. قم بتنزيل تطبيق Mi Home/Xiaomi Home

امسح كود QR ضوئياً لتنزيل التطبيق وثبتيه. أو ابحث عن Mi Home في متجر التطبيقات لتنزيله وثبتيه.



## 2. أضف الجهاز

افتح الصفحة الرئيسية لتطبيق Mi Home، وانقر على الزاوية العلوية اليمنى في أسفل الصفحة + للدخول إلى واجهة إضافة جهاز. انقر على الزاوية العلوية اليمنى مرة أخرى ، امسح الكود QR على الزاوية العلوية اليمنى لإضافة "Dreame Bot D9 Max" واتبع التعليمات لإكمال التوصيل.

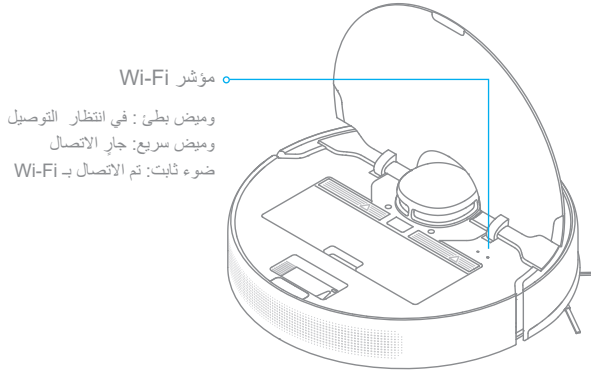


### ملاحظات:

يدعم اتصال Wi-Fi اللاسلكي فقط الشبكات في نطاق التردد 2.4 جيجا هرتز. ببس ترقية وتحديث تطبيق Mi Home، قد تختلف عملية التشغيل قليلاً عن الوصف أعلاه، يرجى اتباع الإرشادات الخاصة لتطبيق Mi Home الحالي.

## 3. إعادة ضبط Wi-Fi



افتح الغطاء العلوي للكشف عن مؤشر Wi-Fi، واضغط مطولاً على المفتاح واستمر بالضغط في نفس الوقت حتى تظهر رسالة صوتية "انتظر تكوين الشبكة"، انتظر حتى يبدأ ضوء مؤشر Wi-Fi في الوميض ببطء مشيراً إلى أن الجهاز الرئيسي دخل في وضع تكوين الشبكة.




مؤشر Wi-Fi  
وميض بطئ: في انتظار التوصيل  
وميض سريع: جار الاتصال  
ضوء ثابت: تم الاتصال بـ Wi-Fi

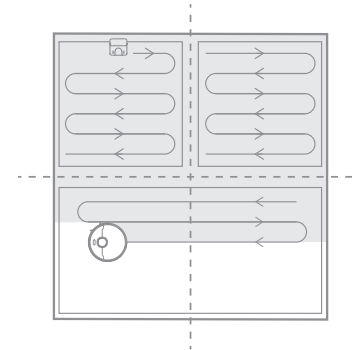
**ملاحظة:** عندما يتعدن على الهاتف المحمول الاتصال بالجهاز الرئيسي، يمكنك إعادة إضافة الجهاز بعد إعادة تعيين Wi-Fi والدخول في وضع تكوين الشبكة.

## 1. التشغيل/الإيقاف

اضغط مطولاً  على الزر للتشغيل، ضوء مؤشر المصدر الكهربائي ثابت يدل على أن الجهاز الرئيسي دخل في حالة الاستعداد. عندما يكون الجهاز الرئيسي في حالة سكون اضغط مطولاً  لـ 3 ثوان على الزر للإيقاف.

## 2. بدء التنظيف

اضغط قصيراً  على زر الجهاز الرئيسي، بعد بدء التشغيل الجهاز الرئيسي سيخطط ديناميكياً لمسار التنظيف وفقاً للخريطة الممسوحة ضوئياً، ويكمل تنظيف كل الأقسام منطقة واحدة تلو الأخرى على طول الجدار والزوايا ثم طريقة التعبئة على شكل قوس ، بحيث يكون التنظيف فعال وبكفاءة أكثر.



### ملاحظة:

إذا كانت البطارية منخفضة جداً أثناء التنظيف، فسيعود الجهاز الرئيسي تلقائياً إلى قاعدة الشحن لشحنها، وبعد الشحن إلى كمية معينة، سيعود إلى النقطة التي توقف فيها لإكمال مهمة التنظيف غير المكتملة. (يجب فتح وضع استئناف التنظيف مسبقاً على التطبيق).

## 3. وضع التنظيف

يمكن للتعلم استخدام الهاتف المحمول لاختيار الوضع الهادئ والقياسي والقوي والفاثق، الوضع الافتراضي هو الوضع القياسي.

## 4. الإيقاف المؤقت/وضع السكون

الإيقاف المؤقت: عندما يكون الجهاز الرئيسي قيد التشغيل، اضغط قصيراً على أي زر للإيقاف المؤقت.

السكون: سيدخل الجهاز الرئيسي تلقائياً في حالة السكون، إذا لم تكن هناك أي عملية تشغيل لأكثر من 10 دقائق، في هذه الحالة سينطفئ مؤشر الطاقة وإعادة الشحن، اضغط على أي زر لإيقاف الجهاز.

### ملاحظة:

في حالة عدم الشحن، سيتم إيقاف التشغيل تلقائياً عندما يتجاوز وقت السكون ساعتين .  
سيتهيء مهمة التنظيف الحالية عند وضع الجهاز الرئيسي على مقعد الشحن أثناء الإيقاف المؤقت.

## 5. وضع عدم الإزعاج


يمنع وضع "عدم الإزعاج" الجهاز الرئيسي من بدء مهام التنظيف تلقائياً، ويظل مؤشر الطاقة مطفأ. يمكنك تمكين وضع "عدم الإزعاج" أو تعديله ساعاته في التطبيق.

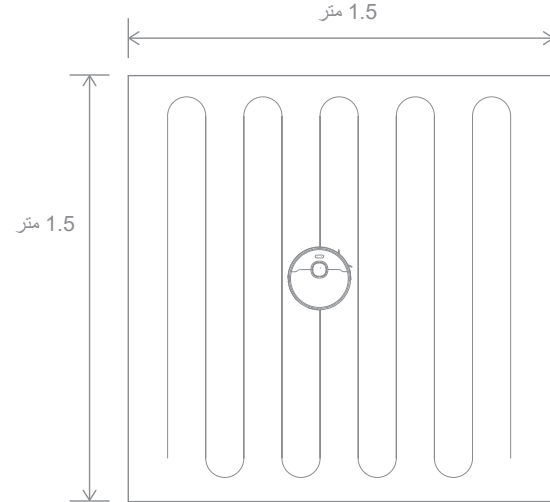
(فترة التشغيل الافتراضي هي 22:00-08:00)

### ملاحظة:

ستستمر عمليات التنظيف المجدول المضبوطة زمنياً أثناء فترة عدم الإزعاج بصورة طبيعية.  
في حال وجود عمليات غير مكتملة سيستمر الجهاز الرئيسي بالتنظيف بعد انتهاء فترة عدم الإزعاج.

## 6. التنظيف الجزئي

عندما يكون الجهاز الرئيسي في وضع الاستعداد أو متوقف مؤقتًا، اضغط مطولاً على الزر  لمدة 3 ثواني لبدء وضع تنظيف البقع، في هذا الوضع، سيتم تنظيف مساحة مربعة الشكل مساحتها 1.5 x 1.5 متر حول الجهاز الرئيسي مباشرة. وعند الانتهاء من تنظيف البقعة، سيعود الجهاز الرئيسي تلقائيًا إلى موقعه الأصلي ويتم إيقاف تشغيله.



ملاحظة: تشغيل التنظيف الجزئي أثناء إيقاف المؤقت سينهي التنظيف الحالي.

## 7. التنظيف المجدول زمنيًا

استخدم تطبيق Mi Home لضبط وقت التنظيف، وسيبدأ الجهاز الرئيسي تلقائيًا في التنظيف في الوقت المحدد، ويعود تلقائيًا إلى قاعدة الشحن للشحن بعد اكتمال التنظيف.

## 8. المزيد من وظائف التطبيق

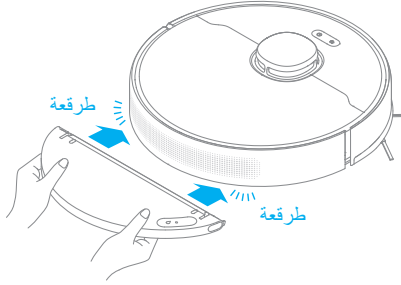
اتبع التعليمات الواردة على شاشة التطبيق لاستخدام المزيد من الوظائف. لقد تم تحديث إصدار التطبيق قد تضاف بعض التعديلات الطفيفة، يرجى اتباع التعليمات بناءً على إصدار التطبيق الحالي.

## طريقة الاستخدام

### 9. استخدام وظيفة المسح

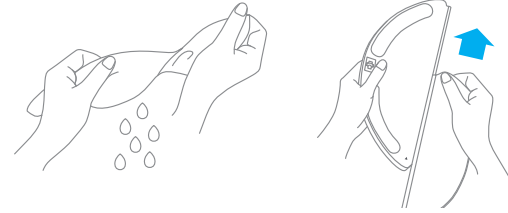
من أجل تحقيق تأثير مسح أفضل، عند الاستخدام الأولي يوصى باستخدام وظيفة المسح بعد التنظيف 3 مرات.

(1) قم بتجفيف وسادة الممسحة من المياه بحيث لا تنقط قطرات ماء. حرك الوسادة بالكامل إلى فتحة خزان المياه أدخلها حتى النهاية على طول فتحة خزان المياه ثبتها بإحكام

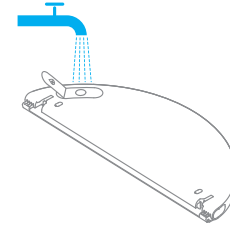


#### ملاحظة:

لا ينصح باستخدام خاصية المسح على السجاد.  
استخدم التطبيق لضبط تدفق الماء حسب الحاجة.



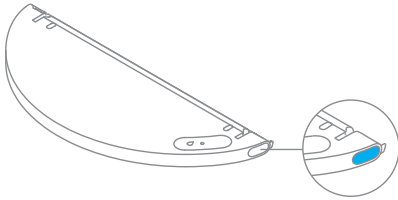
(2) افتح غطاء تعبئة الماء وقم بتعبئة الماء النظيف.



ملاحظة: تجنب استخدام المنظفات أو المطهرات.

ادفع خزان المياه بشكل متواز على طول الجزء الخلفي للجهاز الرئيسي، يشير سماع صوت "طرقعة" إلى أن التثبيت في مكانه، اضغط قصيرا (U) على الزر أو استخدم تطبيق Mi Home للبدء.

(4) إذا اردت فصل الخزان اضغط على المشبكين الجانبيين للداخل واسحب خزان المياه إلى الخلف.



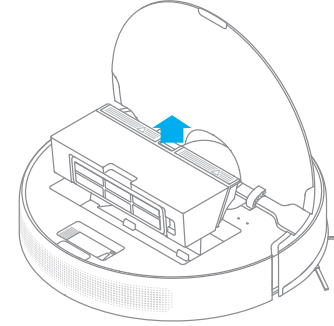
ملاحظة: عند شحن الجهاز الرئيسي أو عدم استخدامه، قم بفك وحدة المسح، وقم بتفريغ جميع المياه المتبقية من الخزان، وتنظيف وسادة الممسحة لمنع الروائح الفطرية أو الغير طبيعية.



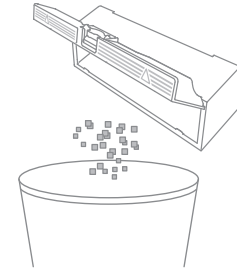
## الصيانة الروتينية

### تنظيف سلة الغبار والفلتر

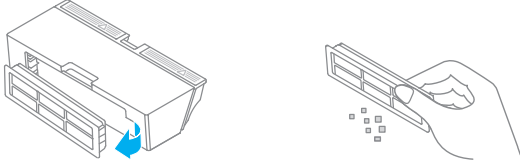
1. افتح غطاء الجهاز الرئيسي، ثم اضغط على زر فتح سلة الغبار لخلع سلة الغبار.



2. افتح غطاء سلة الغبار و اقلبها لرمي الاوساخ.

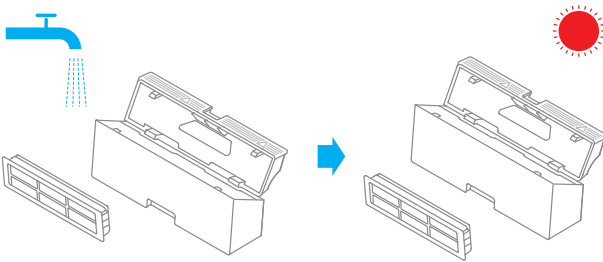


3. قم بإزالة الفلتر، واضرب على السلة الخاصة به بلطف.



ملاحظة: لا تحاول تنظيف الفلتر بفرشاة أو الإصبع.

4. اغسل سلة الغبار والفلتر بالماء إلى أن يصبحا نظيفين، ثم جفف الفلتر تمامًا قبل إعادة تركيبه.



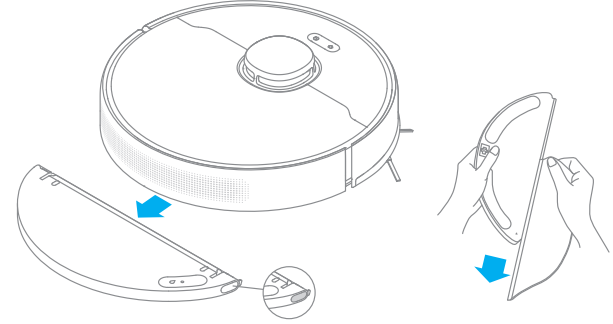
ملاحظة:

لا تستخدم سوى الماء النظيف فقط لتنظيف الفلتر. ولا تستخدم المنظفات. يرجى التحقق من جفاف وتهوية المكان جيدا قبل الاستخدام.

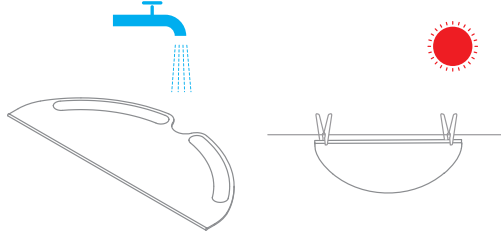
## الصيانة الروتينية

### تنظيف وحدة المسح

1. اضغط على زر الفتح الموجودة على جانب خزان المياه، قم بإزالة وحدة المسح ثم اسحب وسادة الممسحة إلى خارج وحدة المسح لخلعها.



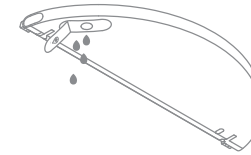
3. قم بشطف وسادة الممسحة بالماء فقط واتركها تجف في الهواء قبل تركيبها.



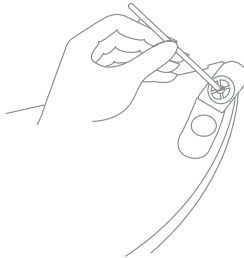
#### ملاحظة:

تأكد من إزالة الممسحة وتنظيفها بعد الاستخدام لمنع مياه الغير نظيفة من التدفق مرة أخرى وسد مخرج المياه. للحصول على أفضل تنظيف، يوصى باستبدال وسادة الممسحة كل 3 إلى 6 أشهر.

2. أفرغ المياه المتبقية داخل خزان المياه. نظفه بالماء فقط ثم دعه يجف بشكل طبيعي قبل إعادة التركيب.



4. في حالة حدوث تدفق بطيء للمياه، أو لم يتم توزيع الحجم بشكل جيد، يرجى تنظيف فتحة الهواء الموجودة في غطاء خزان المياه.

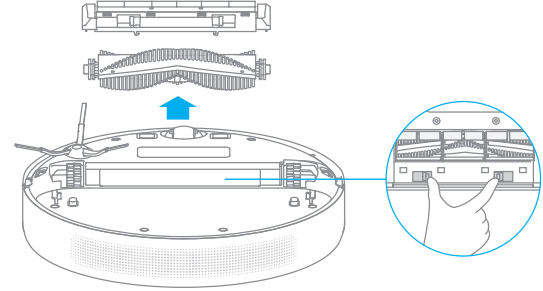


ملاحظة: لا تعرض الخزان لأشعة الشمس مباشرة.

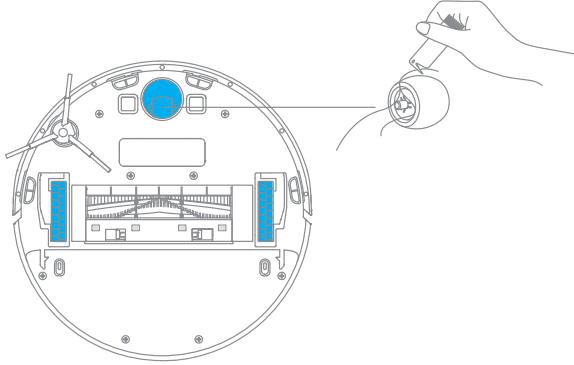
## الصيانة الروتينية

### تنظيف الفرشاة الرئيسية

اضغط على زر فتح غطاء الفرشاة الرئيسية على كلا الجانبين للداخل لإزالة غطاء الفرشاة الرئيسي، وأخرج الفرشاة الرئيسية لأعلى.



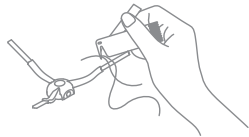
### تنظيف العجلة الرئيسية وعجلة الدوران الحر



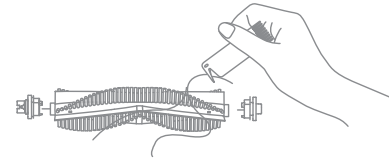
ملاحظة: استخدم الأدوات المتاحة لفصل محور العجلة.

### تنظيف الفرشاة الجانبية

اسحب الفرشاة الجانبية واستخدم أداة التنظيف المرفقة لإزالة أي شعر متشابك على الفرشاة.



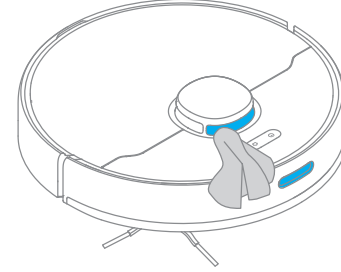
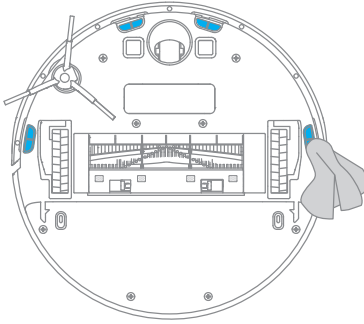
اسحب أغطية الفرشاة كما هو موضح في الرسم التخطيطي. استخدم أداة التنظيف المرفقة لإزالة أي شعر متشابك على الفرشاة.



## الصيانة الروتينية

ملاحظة: يحتوي الجهاز الرئيسي وقاعدة الشحن على مكونات إلكترونية حساسة، يرجى استخدام قطعة قماش جافة عند التنظيف. لا تستخدم قطعة قماش مبللة لمنع التلف.

### تنظيف مستشعر الليزر LDS / مستشعر وضعية الشحن

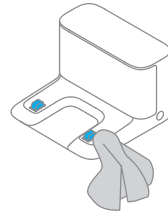
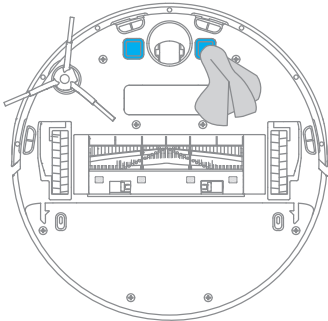


### تنظيف مستشعر المنحدرات

### تنظيف موصلات الشحن

### إعادة تشغيل الجهاز الرئيسي

عندما لا تستجيب المفاتيح أو لا يمكن إيقاف التشغيل، اضغط مطولاً على الزر لمدة 10 ثوانٍ لفرض لإيقاف، ثم اضغط على الزر مرة أخرى لمدة 3 ثوانٍ للتشغيل.



### البطارية

يحتوي الجهاز الرئيسي على حزمة بطارية ليثيوم أيون عالية الأداء. يرجى التأكد من أنها تظل مشحونة بشكل جيد أثناء الاستخدام اليومي للحفاظ على الأداء الأمثل للبطارية. إذا لم يتم استخدام الجهاز الرئيسي لفترة طويلة، فقم بإيقاف تشغيله ووضعه جانباً لمنع التلف الناتج عن التفريغ الزائد، يجب إعادة شحن الجهاز الرئيسي مرة واحدة على الأقل كل ثلاثة أشهر.

نوع المشكلة	طريقة الحل
لا يمكن تشغيل الجهاز	مستوى البطارية منخفض. أعد شحن الجهاز الرئيسي في مقعد الشحن، ثم أعد المحاولة. درجة الحرارة المحيطة منخفضة جدًا (أقل من 0 درجة مئوية) أو مرتفعة جدًا (فوق 40 درجة مئوية) ، يرجى الاستخدام في بيئة من 0 إلى 40 درجة مئوية.
لا يمكن الشحن	قاعدة الشحن غير متصلة بالطاقة، يرجى التأكد من توصيل طرفي سلك مصدر قاعدة الشحن بالمصدر. توصيل رديء. قم بتنظيف موصلات الشحن الخاصة بقاعدة الشحن و الجهاز الرئيسي.
الجهاز الرئيسي لا يعود إلى مقعد الشحن	هناك الكثير من العوائق حول مقعد الشحن. ضع قاعدة الشحن في منطقة أكثر اتساعًا. يرجى تنظيف منطقة الإشارة الخاصة بمقعد الشحن
الجهاز الرئيسي لا يعمل بشكل سليم	أوقف تشغيل الجهاز الرئيسي ثم أعد تشغيله
يوجد ضوضاء غير طبيعية أثناء التنظيف	قد يعلق جسم غريب في الفرشاة الرئيسية أو الفرشاة الجانبية أو إحدى العجلات الرئيسية. أوقف الجهاز الرئيسي وقم بالفحص.
انخفاض كفاءة التنظيف أو يتساقط الغبار	سلة الغبار ممتلئة. الرجاء تنظيفها. الفلتر مسدود الرجاء تنظيفه. هناك جسم غريب عالق في الفرشاة الرئيسية. يُرجى تنظيفها.
لا يمكن الاتصال بشبكة Wi-Fi	اتصال Wi-Fi غير طبيعي، قم بإعادة ضبط Wi-Fi وتنزيل تطبيق Mi Home ومحاولة الاتصال مرة أخرى. لم تفتح صلاحية تحديد الموقع، يرجى التأكد من أن تطبيق Mi Home قد فتح صلاحية تحديد الموقع. إشارة Wi-Fi ليست جيدة، يرجى التأكد من أن الجهاز الرئيسي يقع في نطاق إشارة الـ Wi-Fi الجيدة. الجهاز الرئيسي لا يدعم شبكة Wi-Fi بسرعة 5 جيجاهرتز، يرجى التأكد من اتصال الجهاز الرئيسي بشبكة Wi-Fi بسرعة 2.4 جيجاهرتز. اسم مستخدم او كلمة مرور Wi-Fi المنزلي غير صحيحة. الرجاء إدخال اسم مستخدم Wi-Fi وكلمة المرور بالشكل الصحيح.

نوع المشكلة	طريقة الحل
لا يقوم الجهاز الرئيسي بالتنظيف المجدول	البطارية منخفضة في الجهاز الرئيسي. لن يبدأ التنظيف المجدول ما لم يكن مستوى بطارية الجهاز الرئيسي 15% على الأقل.
هل وجود الجهاز في مقعد الشحن بشكل دائم يستهلك الكهرباء	يكون استهلاك الكهرباء منخفضا عندما يكون الجهاز الرئيسي في قاعدة الشحن بشكل دائم، مما يحافظ على إبقاء البطارية في أفضل أداء لها.
لا يوجد ماء يخرج من وحدة المسح أو يخرج القليل منه فقط	تأكد من إذا كان بالخزان بعض المياه ونظف وسادة الممسحة إذا لزم الأمر. نظف الممسحة إذا أصبحت متسخة. يرجى تركيب الممسحة بشكل صحيح حسب التعليمات. يرجى تنظيف فتحة الهواء العائد بأعلى غطاء خزان المياه في الوقت المناسب.
لن يستمر التنظيف عند نقص البطارية وإعادة الشحن	يرجى التأكد من أن الجهاز الرئيسي ليس في وضع عدم الإزعاج،التنظيف لن يستمر في هذا الوضع. لا يستأنف الجهاز الرئيسي التنظيف عند شحنه يدويًا أو وضعه في مقعد الشحن يدويًا.
لا يمكن العودة إلى مقعد الشحن بعد تحريك الموضع	قد يؤدي تحريك الجهاز ااترئيسي إلى إعادة تموضعه ذاتيًا أو إعادة تعيين موقعه إذا كان الجهاز ااترئيسي بعيدا عن قاعدة الشحن، فقد لا يتمكن من العودة تلقائيًا من تلقاء نفسه، وفي هذه الحالة، تحتاج إلى وضع الجهاز ااترئيسي يدويًا على قاعدة الشحن.

الجهاز الرئيسي

رقم الطراز	RVS4
البطارية	5200 مللي أمبير/ساعة (سعة البطارية الاسمية)
مدة الشحن	6 ساعات تقريباً
الاتصال اللاسلكي	Wi-Fi IEEE 802.11 b/g/n 2.4 جيجا هرتز
الجهد المقدر	14.4 فولت ===
الطاقة المقدرة	40 واط
تردد العملية:	2400-2483.5 ميغا هرتز
طاقة الإخراج القصوى:	> 20 ديسيبل

مقعد الشحن

رقم الطراز	RLS5-BL1
الإدخال المقدر	100-240 ف ~50/60 هرتز 0.5 أمبير
الإخراج المقدر	19.8 فولت === 1 أمبير